



US00D536492S

(12) **United States Design Patent**  
**Rosenzweig**

(10) **Patent No.:** **US D536,492 S**

(45) **Date of Patent:** **\*\* \*Feb. 6, 2007**

(54) **STEAMER**

(75) Inventor: **Mark Rosenzweig**, Chesnut Hill, MA  
(US)

(73) Assignee: **Euro-Pro Operating, LLC**, West  
Newton, MA (US)

(\*) Notice: This patent is subject to a terminal disclaimer.

(\*\*) Term: **14 Years**

(21) Appl. No.: **29/221,803**

(22) Filed: **Jan. 21, 2005**

(51) **LOC (8) Cl.** ..... **15-05**

(52) **U.S. Cl.** ..... **D32/17; D32/18; D32/21**

(58) **Field of Classification Search** ..... D32/1,  
D32/15-16, 21, 23-24, 31; 15/319, 320-321,  
15/323, 327.1, 327.2, 327.3, 327.4, 327.6,  
15/327.7, 329, 340.1, 340.2, 347, 353, 383,  
15/405, 412; 901/1; 700/245; 318/568.12;  
417/236; 55/DIG. 3

See application file for complete search history.

(56) **References Cited**

**U.S. PATENT DOCUMENTS**

D326,544 S \* 5/1992 Yamamoto ..... D32/21  
D418,643 S \* 1/2000 Hoshino ..... D32/21  
D420,474 S \* 2/2000 Auburn ..... D32/21

D435,322 S \* 12/2000 DeBlasis et al. .... D32/21  
D445,973 S \* 7/2001 Chen ..... D32/21  
D451,653 S \* 12/2001 Berreth et al. .... D32/17  
D467,694 S \* 12/2002 Kitts ..... D32/21  
D471,682 S \* 3/2003 Chen ..... D32/21  
D481,839 S \* 11/2003 Almquist et al. .... D32/15  
D496,764 S \* 9/2004 Lopano ..... D32/21  
D505,526 S \* 5/2005 Tsen ..... D32/21

\* cited by examiner

*Primary Examiner*—Ruth McInroy

(74) *Attorney, Agent, or Firm*—Venable LLP; Ralph P. Albrecht; Stuart I. Smith

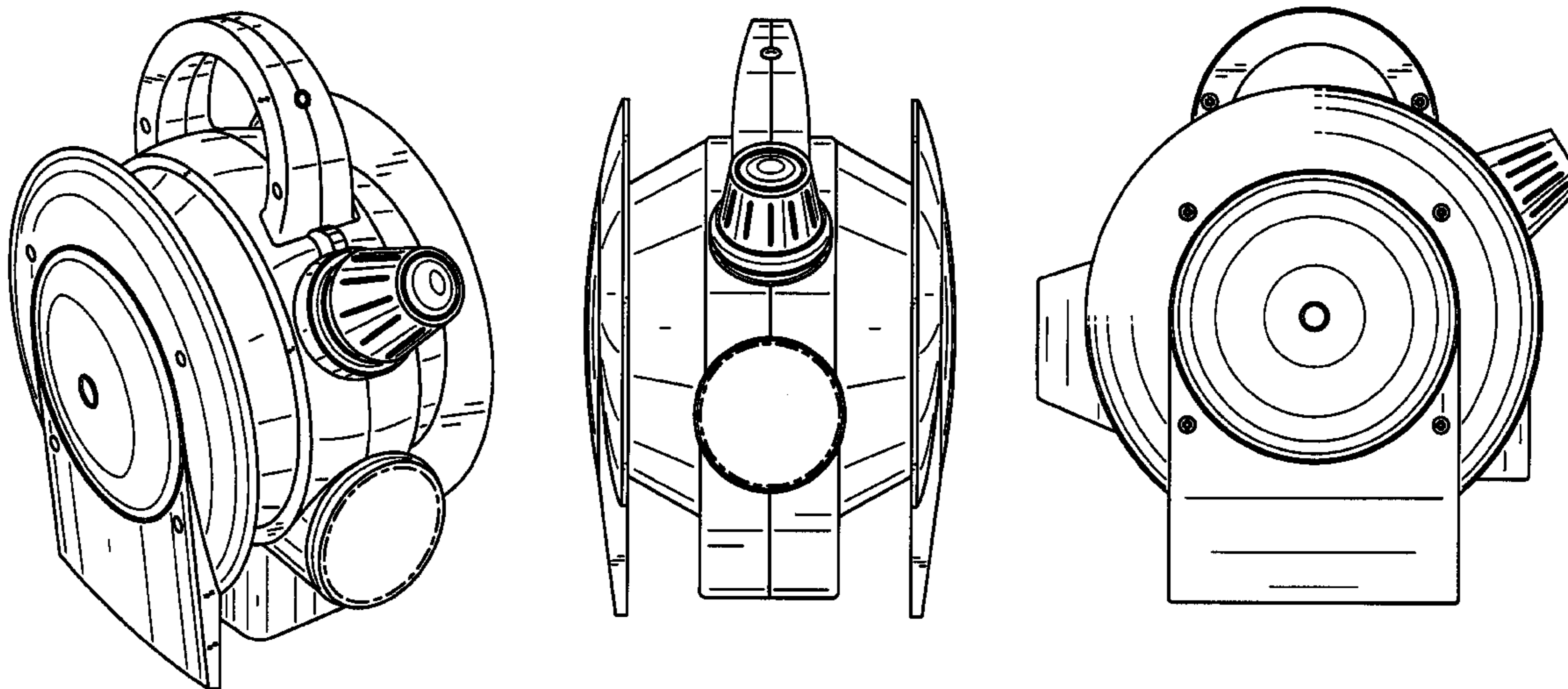
(57) **CLAIM**

The ornamental design for a steamer, as shown and described.

**DESCRIPTION**

FIG. 1 is a perspective view of an exemplary embodiment of the invention;  
FIG. 2 is a front view of the embodiment shown in FIG. 1;  
FIG. 3 is back view of the embodiment shown in FIG. 1;  
FIG. 4 is left side view of the embodiment shown in FIG. 1;  
FIG. 5 is right side view of the embodiment shown in FIG. 1;  
FIG. 6 is a top view of the embodiment shown in FIG. 1;  
and,  
FIG. 7 is a bottom view of the embodiment shown in FIG. 1.

**1 Claim, 7 Drawing Sheets**



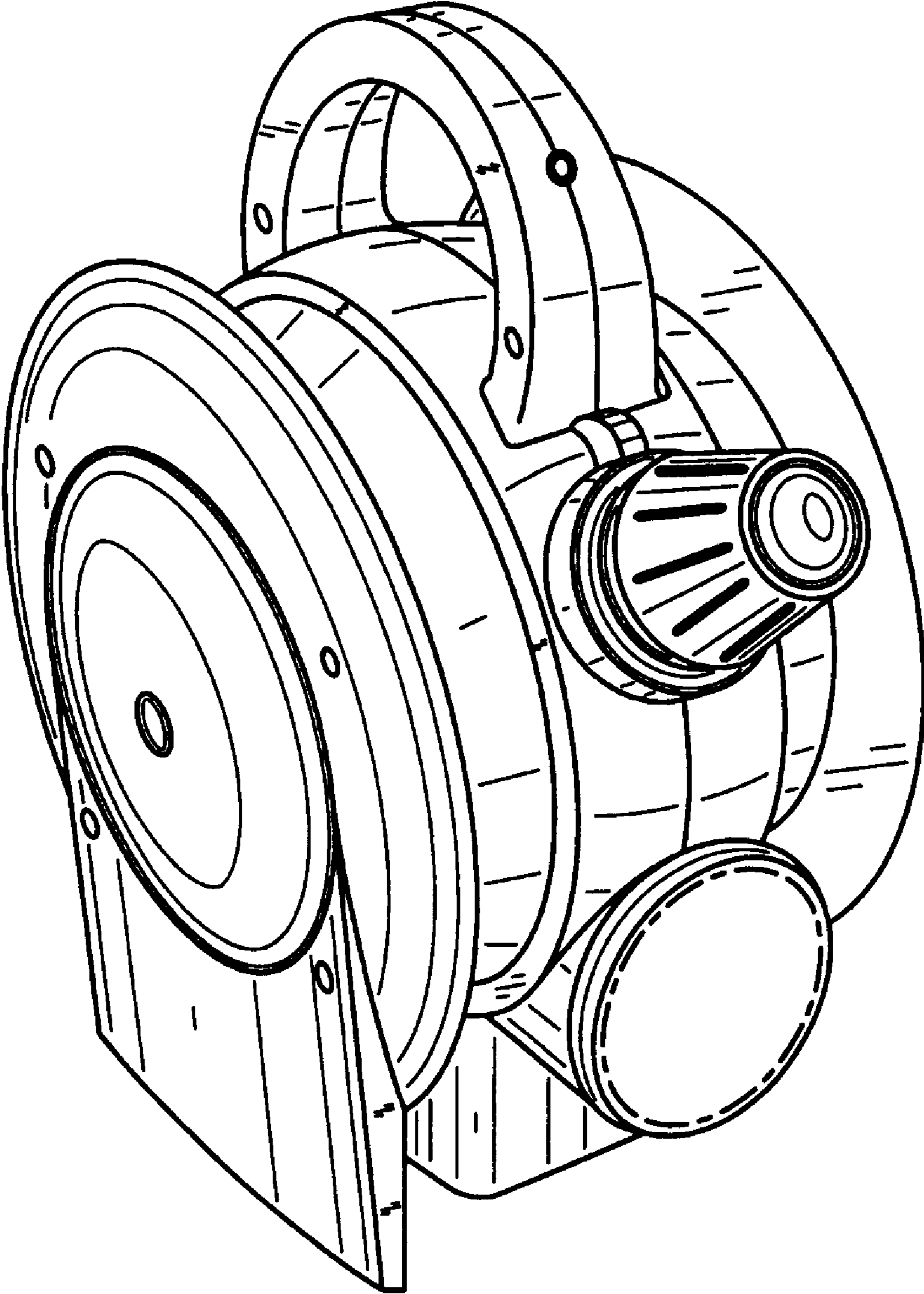


FIG. 1

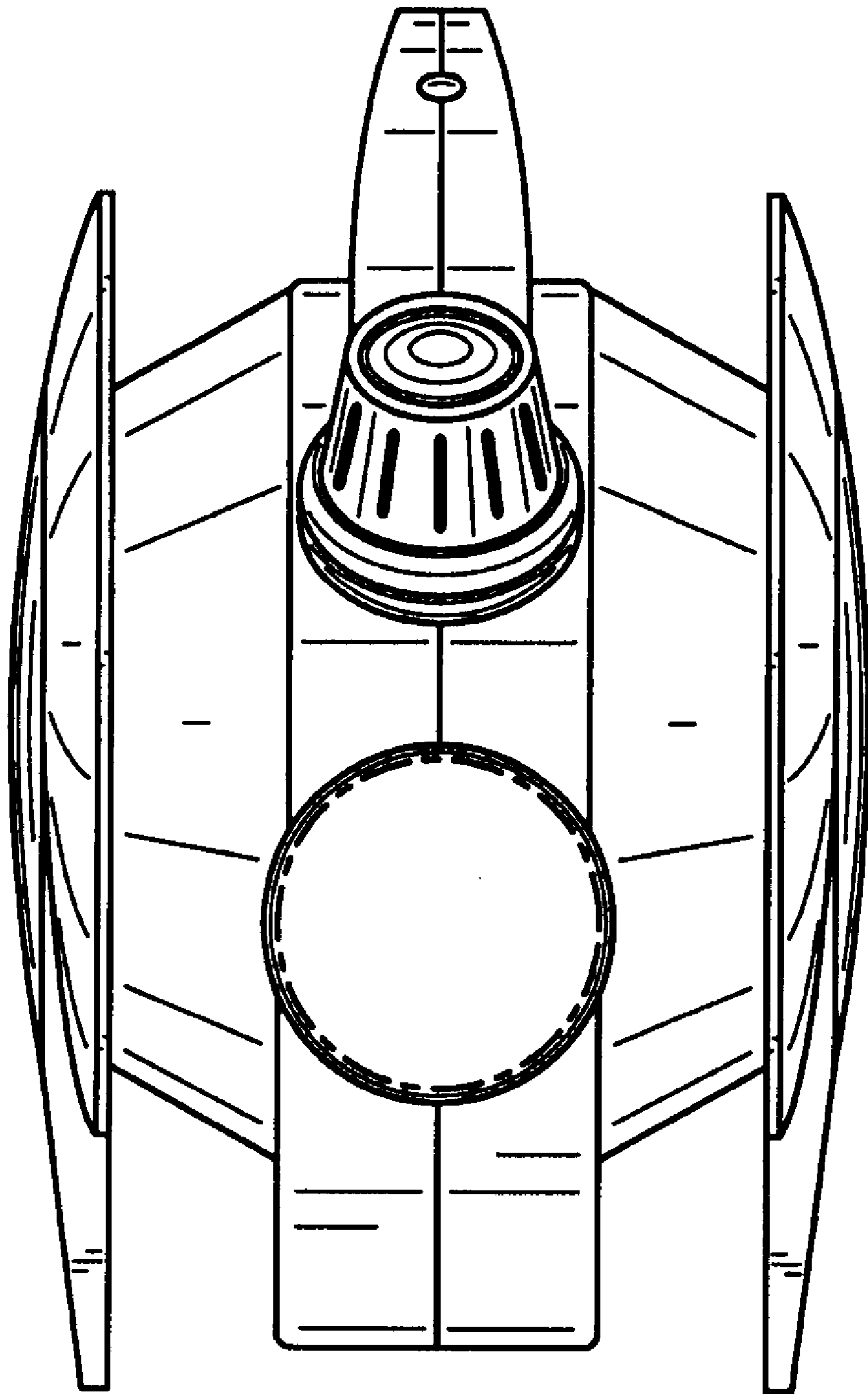


FIG. 2

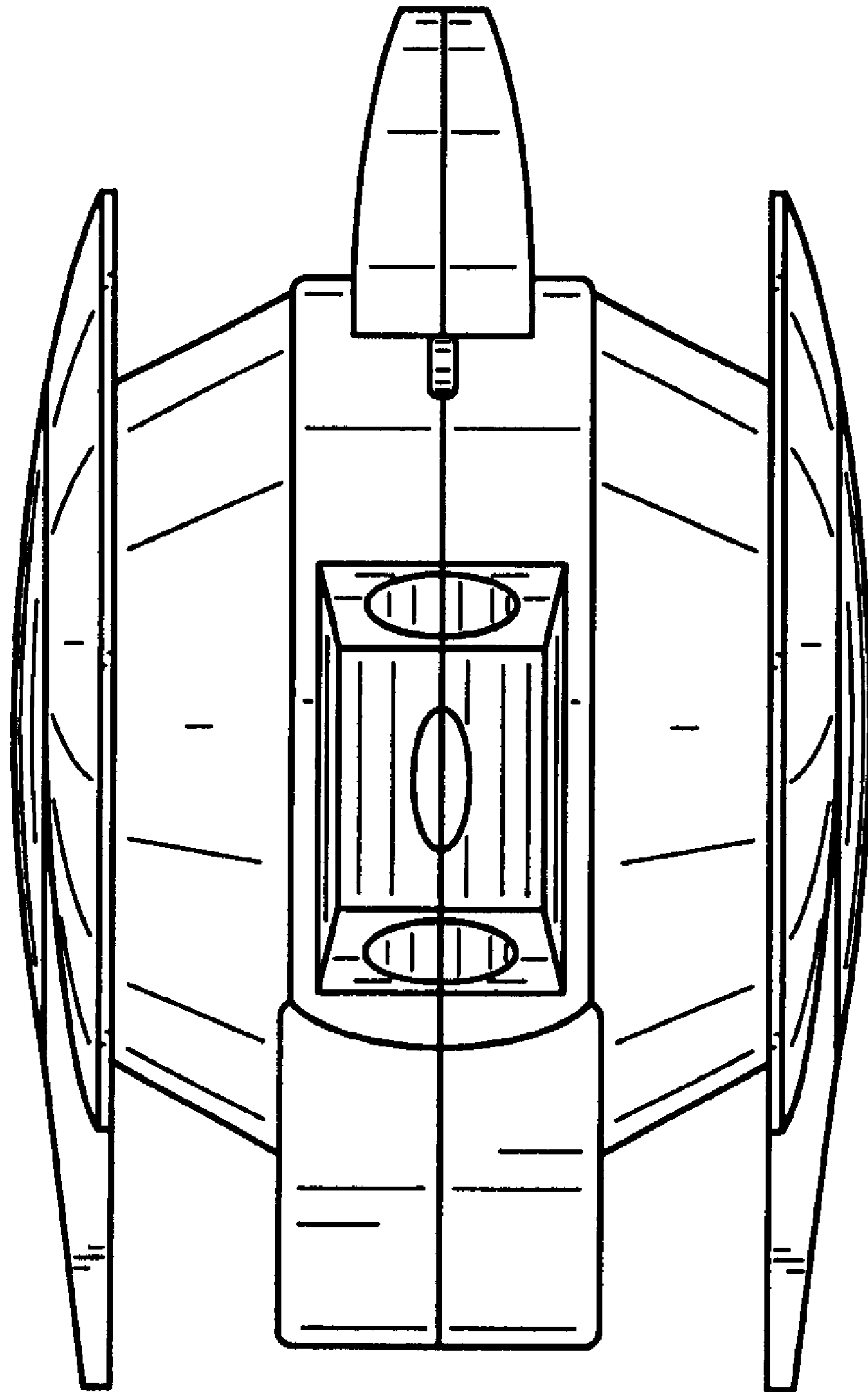


FIG. 3

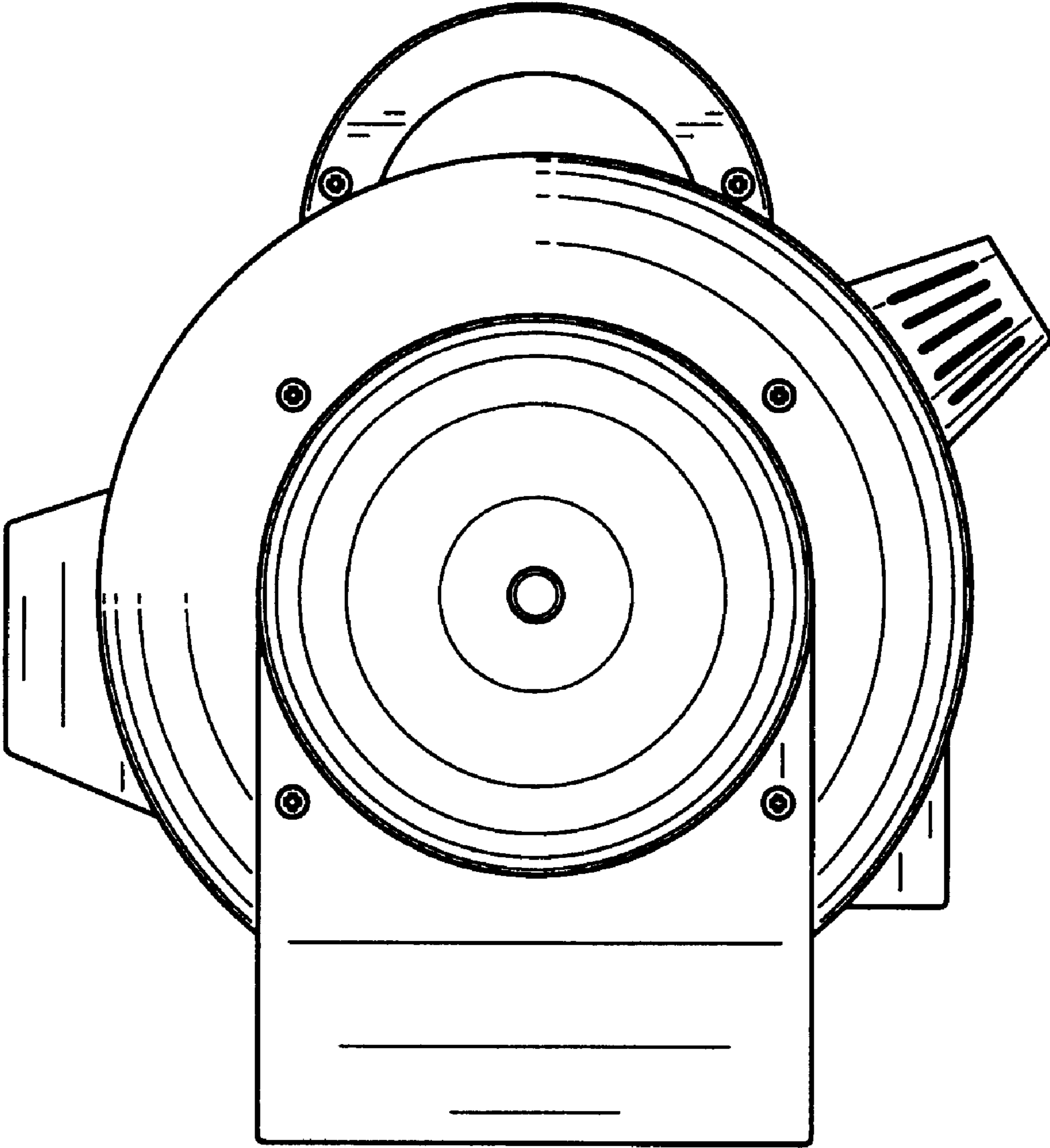


FIG. 4



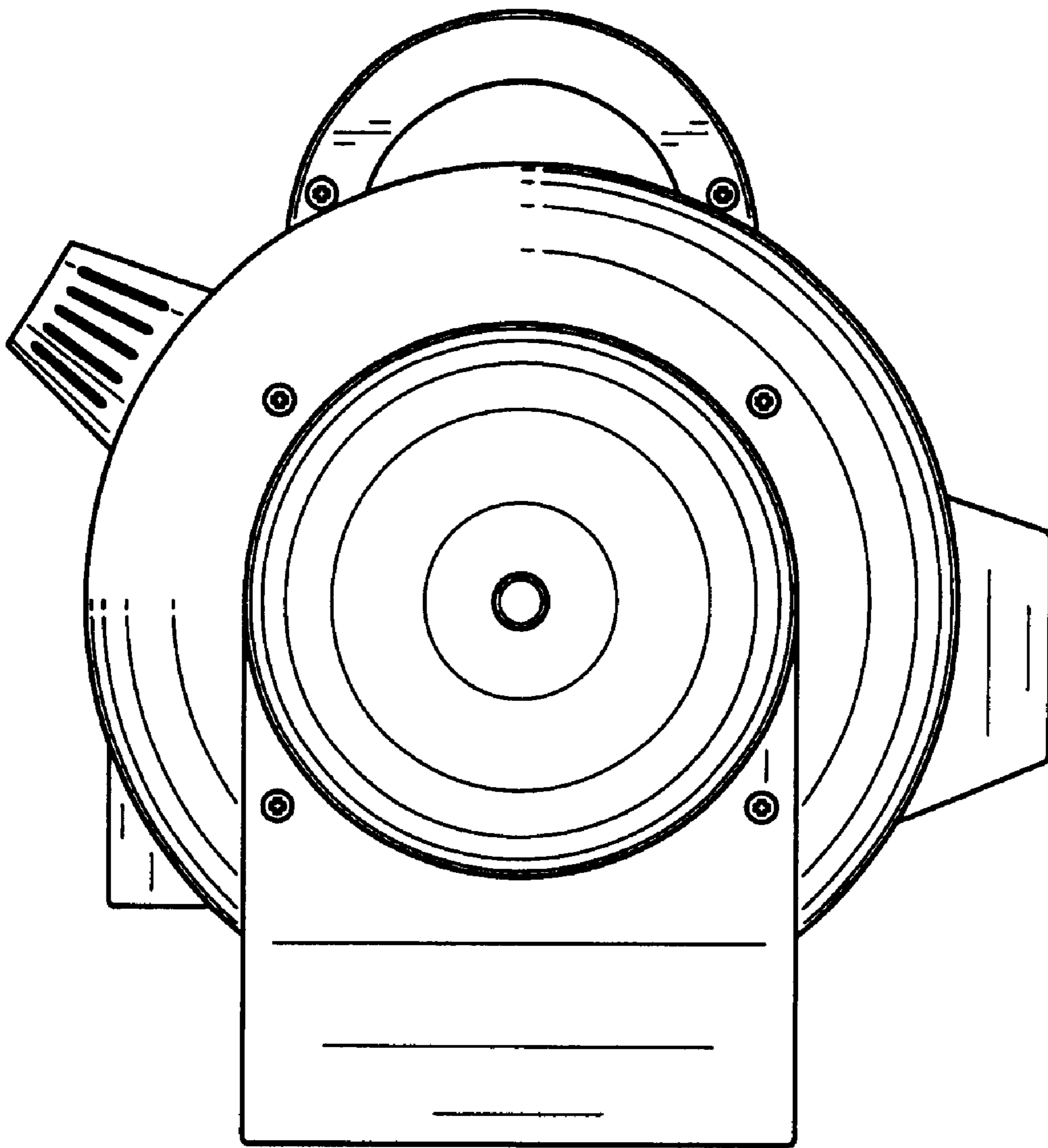


FIG. 5

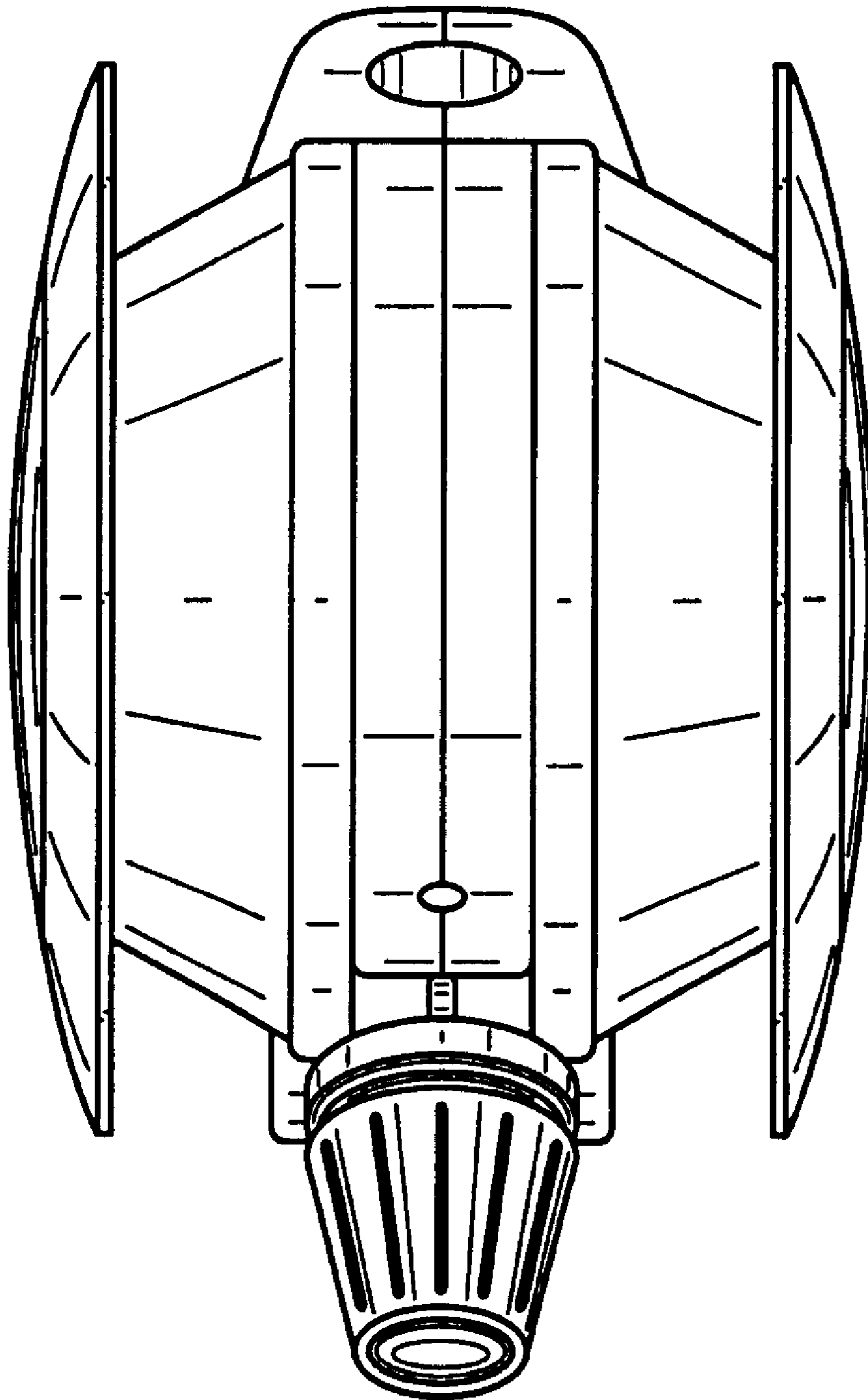


FIG. 6

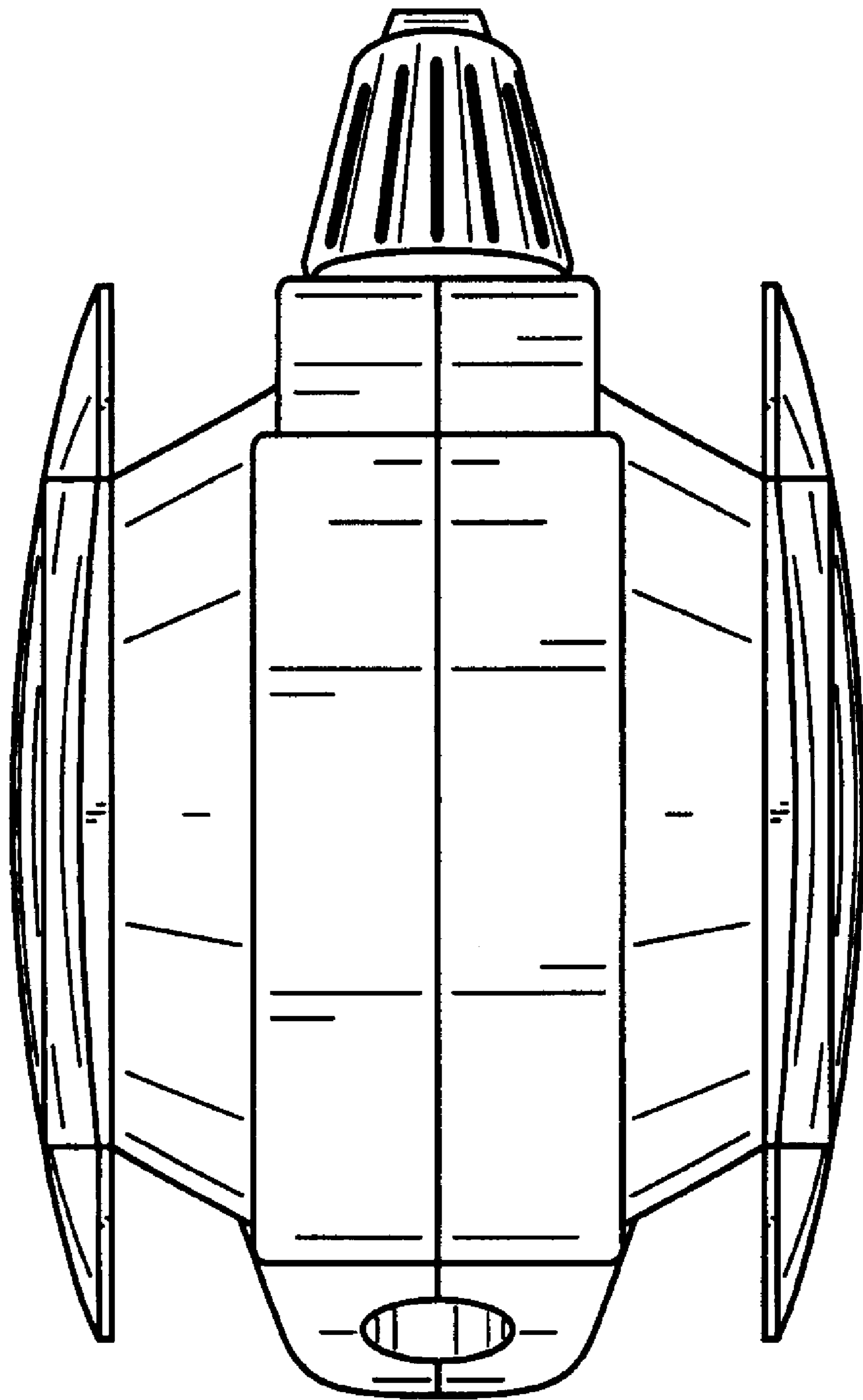


FIG. 7