



US00D536491S

(12) **United States Design Patent**
Schumaier

(10) **Patent No.:** **US D536,491 S**

(45) **Date of Patent:** **** Feb. 6, 2007**

(54) **HEARING AID DRYING APPLIANCE**

(76) Inventor: **Daniel R. Schumaier**, 1548 Blue Springs Rd, Elizabethton, TN (US) 37643

(**) Term: **14 Years**

(21) Appl. No.: **29/252,429**

(22) Filed: **Jan. 23, 2006**

(51) **LOC (8) Cl.** **15-05**

(52) **U.S. Cl.** **D32/1**

(58) **Field of Classification Search** D32/1, D32/5, 8; D6/432, 440, 441, 443, 448; D24/217, D24/218; 134/117, 118, 135, 184, 188, 192, 134/195; 15/321

See application file for complete search history.

(56) **References Cited**

U.S. PATENT DOCUMENTS

D229,220 S	*	11/1973	Pulos	D24/217
D257,489 S	*	11/1980	Thomas et al.	D24/218
D281,539 S		11/1985	Harrison		
D303,442 S		9/1989	Harrison		
D317,409 S	*	6/1991	Chiarella	D3/294
D324,952 S	*	3/1992	Berland	D3/203.1
5,365,630 A	*	11/1994	Beckrich	15/104.92
5,640,783 A		6/1997	Schumaier		
D403,176 S	*	12/1998	Harper	D6/440
5,852,879 A		12/1998	Schumaier		

D406,416 S		3/1999	Chan		
D414,304 S		9/1999	Schumaier		
D433,331 S	*	11/2000	Denham et al.	D9/432
D449,165 S	*	10/2001	van der Hulst	D3/294
6,399,920 B1		6/2002	Guinn		
D463,076 S		9/2002	Nottingham et al.		
D467,394 S		12/2002	Schumaier		
D502,812 S		3/2005	Zimmerman		
7,017,276 B2	*	3/2006	Greenspan et al.	34/80
2003/0196687 A1		10/2003	Campbell et al.		
2004/0244215 A1		12/2004	Greenspan et al.		

* cited by examiner

Primary Examiner—Louis S. Zarfes

Assistant Examiner—Kathleen Sims

(74) *Attorney, Agent, or Firm*—Gable Gotwals

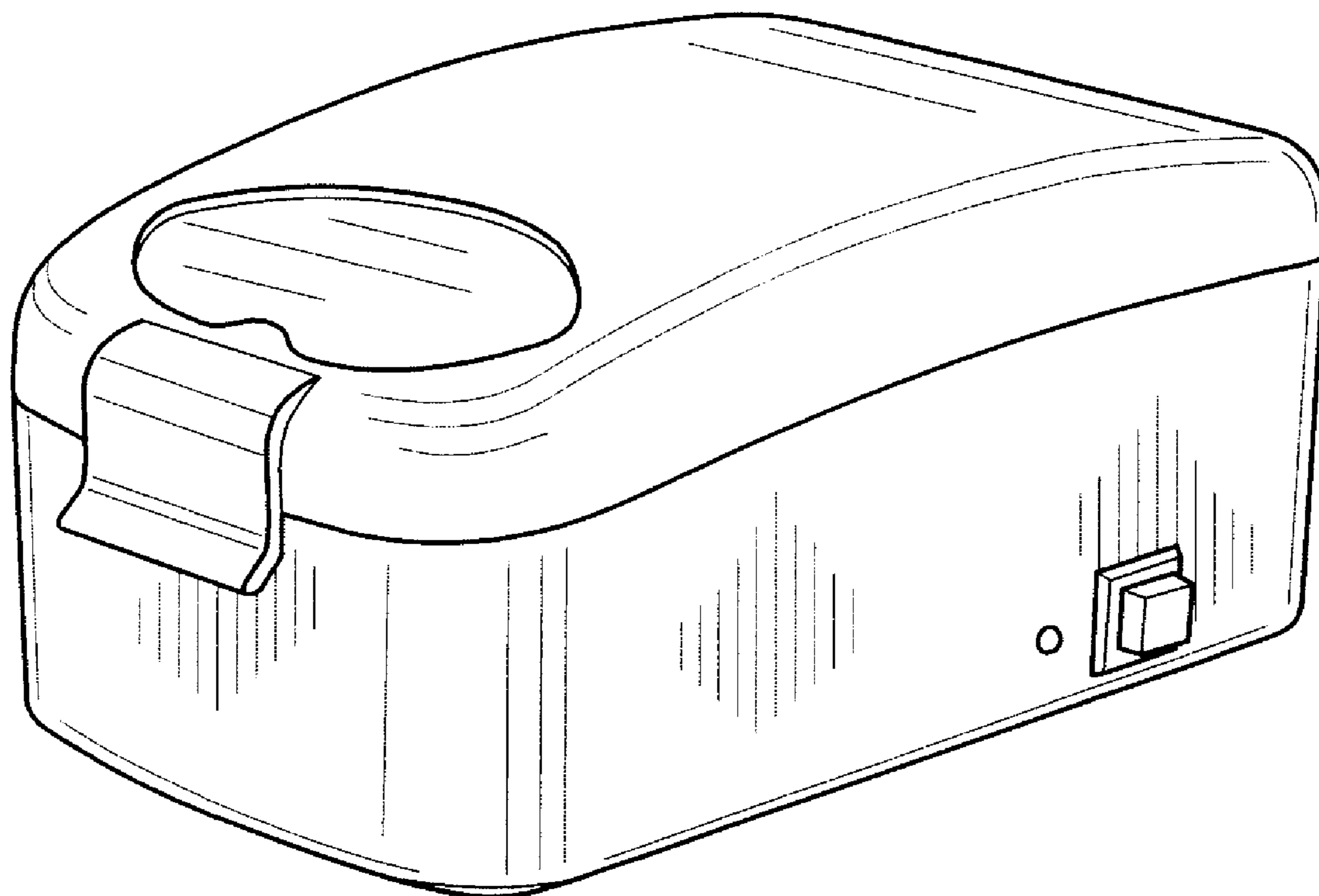
(57) **CLAIM**

The ornamental design for a hearing aid drying appliance, as shown.

DESCRIPTION

FIG. 1 is a perspective view of the top, front and right side of a hearing aid drying appliance showing my new design; FIG. 2 is a front elevational view thereof; FIG. 3 is a top plan view thereof; FIG. 4 is a left side elevational view thereof; FIG. 5 is a right side elevational view thereof; FIG. 6 is a rear elevational view thereof; and, FIG. 7 is a bottom plan view thereof.

1 Claim, 2 Drawing Sheets



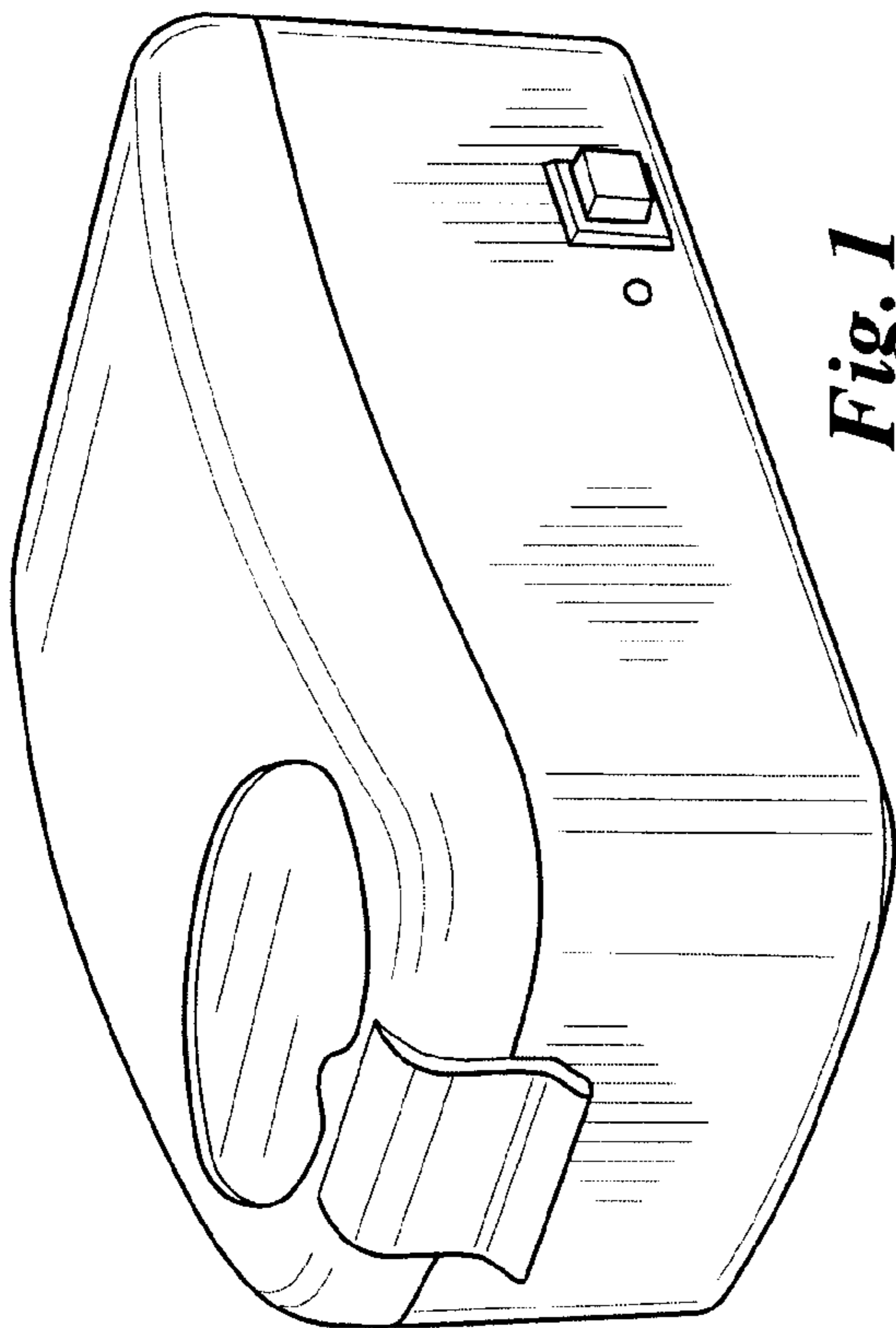


Fig. 1

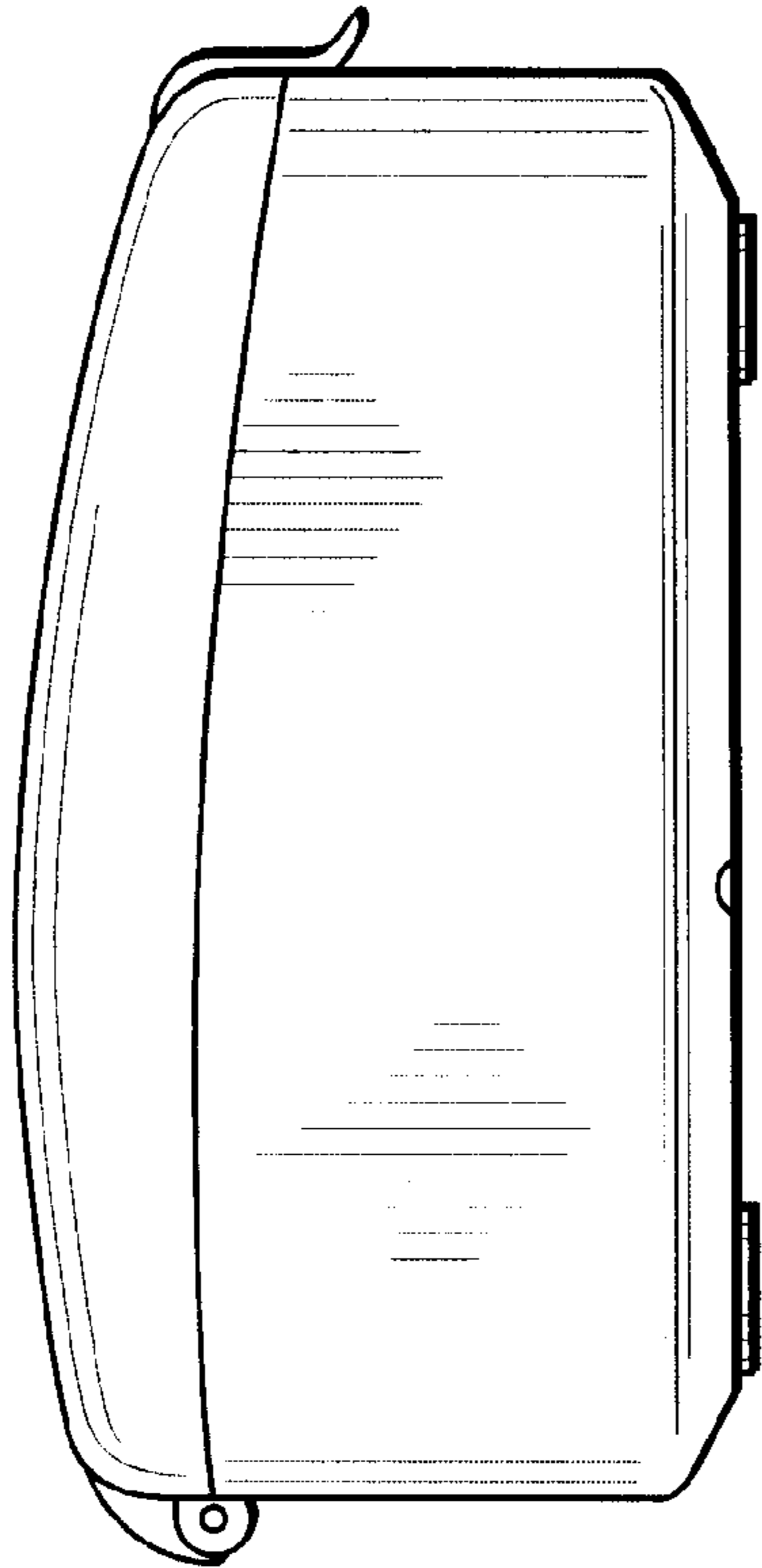


Fig. 4

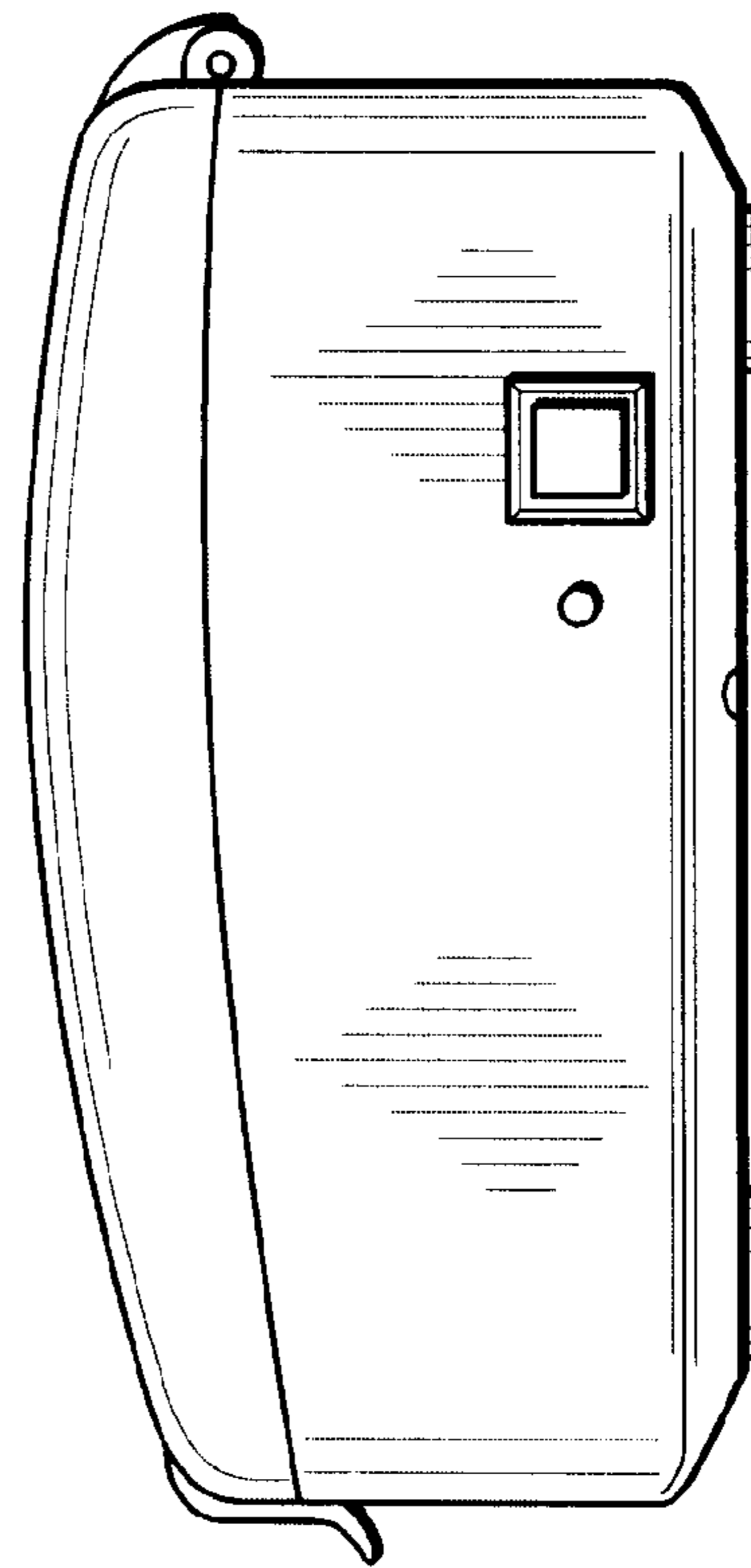


Fig. 5

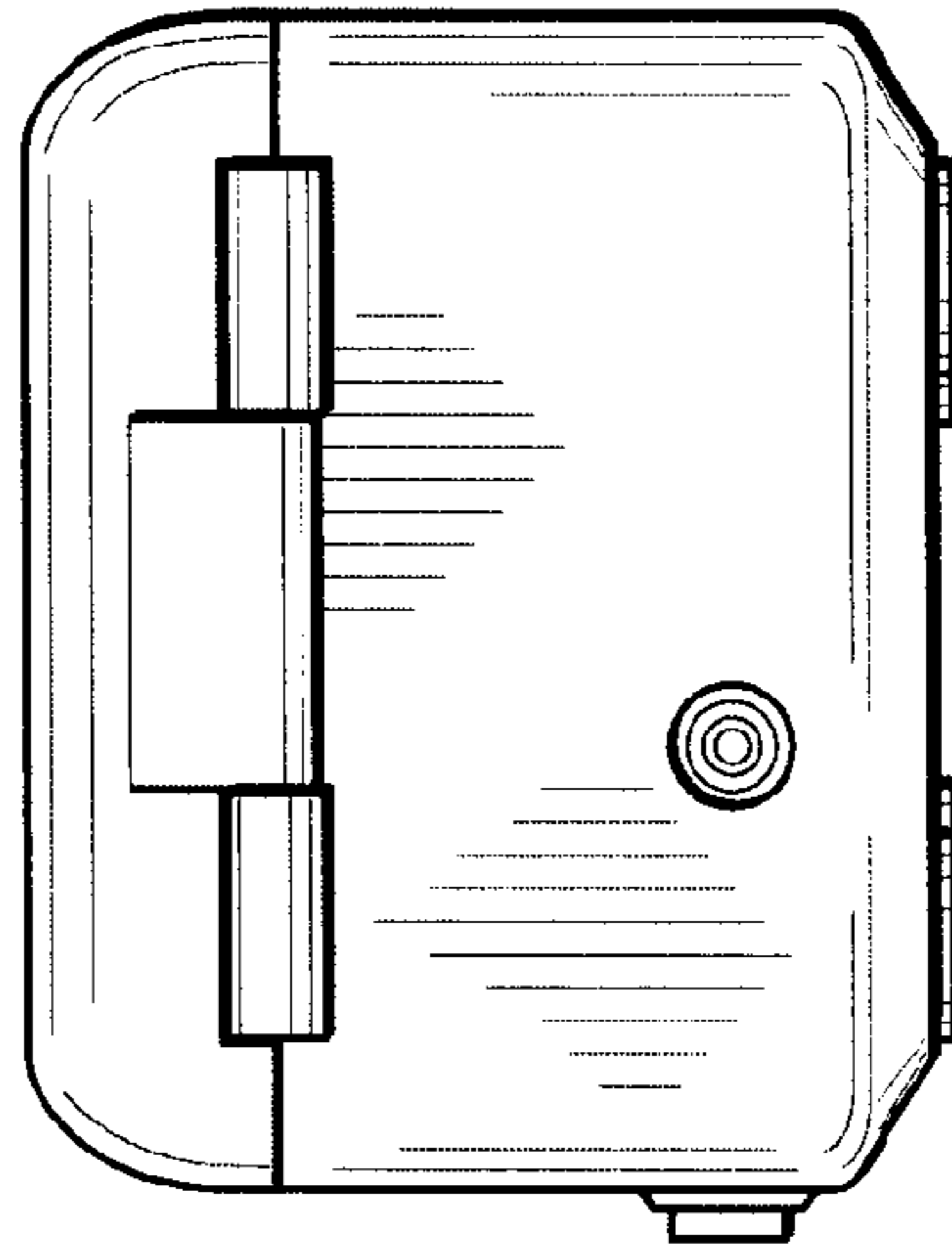


Fig. 6

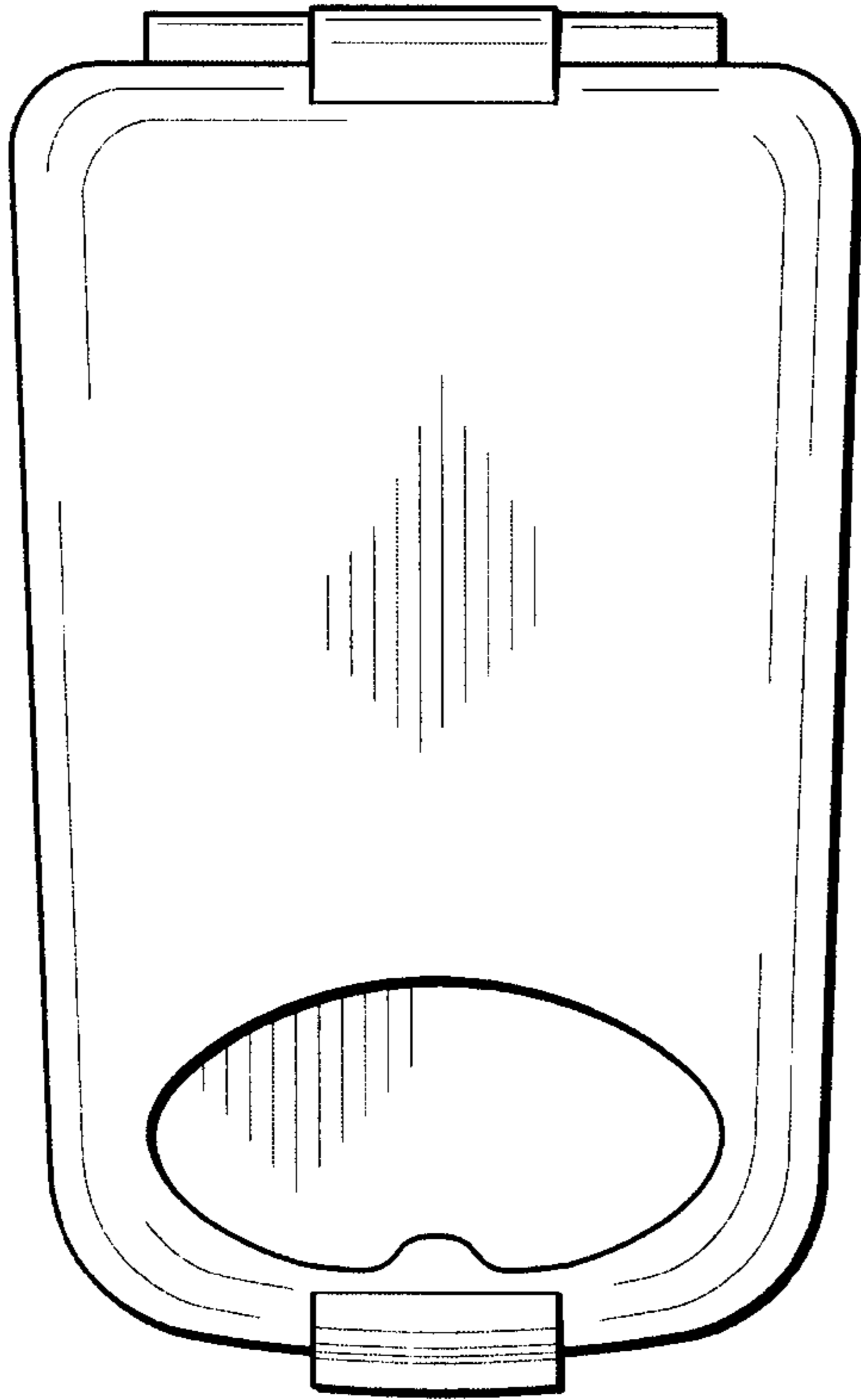


Fig. 3

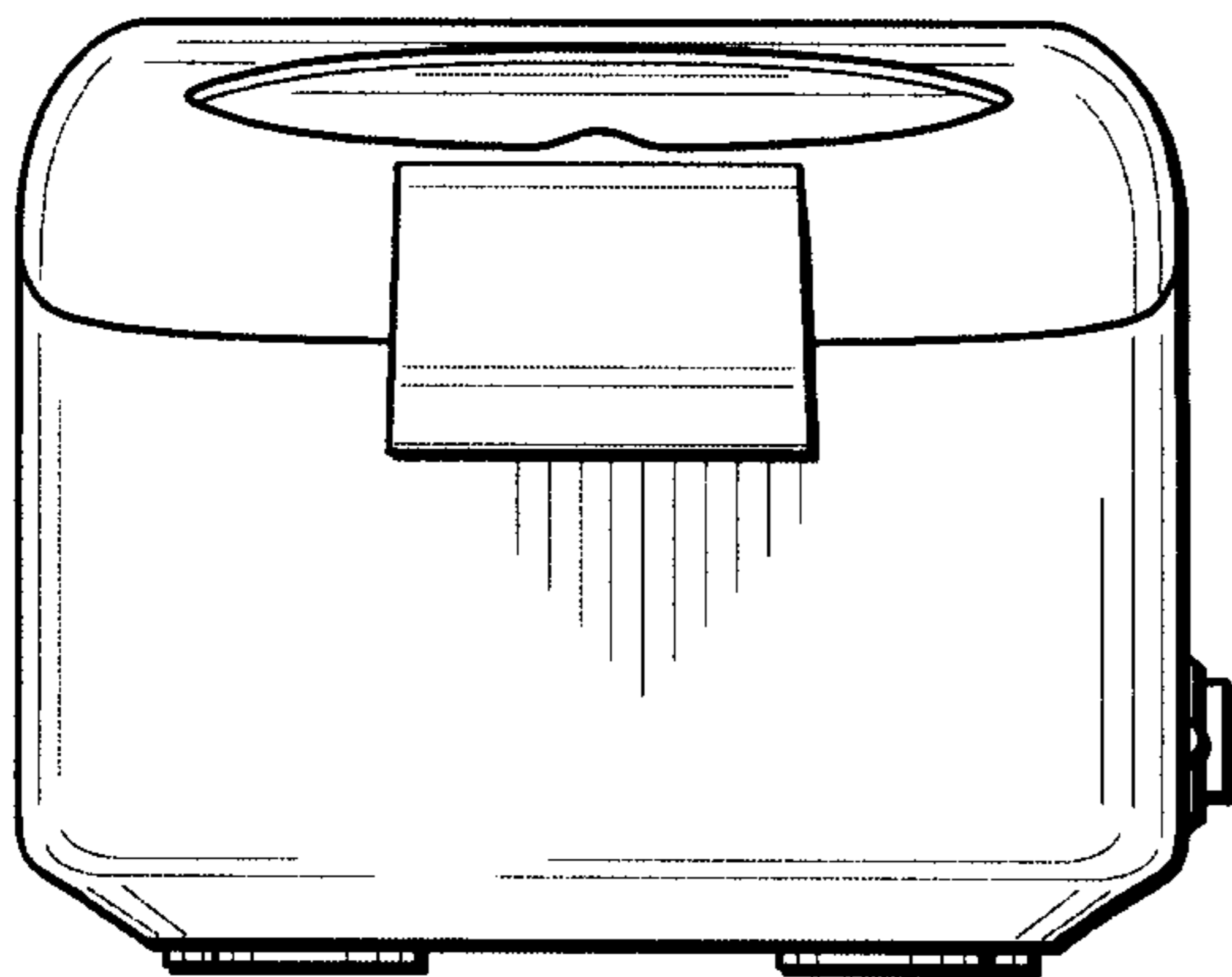


Fig. 2

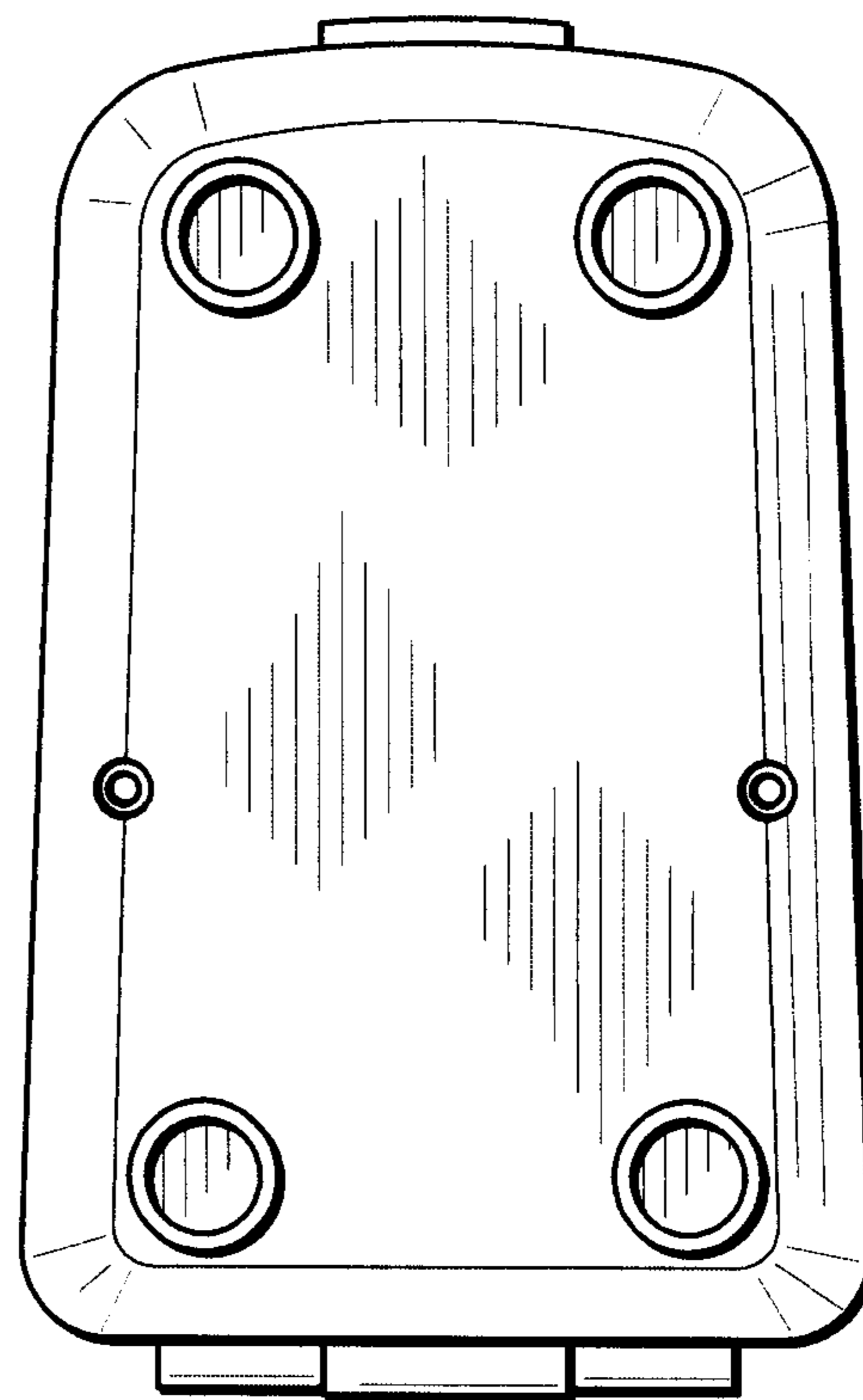


Fig. 7