

US00D536490S

(12) **United States Design Patent**  
**Colvin et al.**

(10) **Patent No.:** **US D536,490 S**

(45) **Date of Patent:** **\*\* Feb. 6, 2007**

(54) **HANGER FOR A HUMMINGBIRD FEEDER**

(75) Inventors: **Barry D. Colvin**, Bristol, RI (US); **Lyn Fletcher**, Moosup, CT (US)

(73) Assignee: **Aspects, Inc.**, Warren, RI (US)

(\*\*) Term: **14 Years**

(21) Appl. No.: **29/229,094**

(22) Filed: **May 3, 2005**

(51) **LOC (8) Cl.** ..... **30-99**

(52) **U.S. Cl.** ..... **D30/199**

(58) **Field of Classification Search** ..... D30/108,  
D30/110-11, 117, 119, 121, 123-28, 154,  
D30/199; 40/645, 659, 660; 248/87, 153,  
248/156; 258/3; D26/138; D20/41-43; D21/839-40;  
D11/164, 181; D8/1, 356, 42, 39, 34, 349;  
7/154-55; 81/3.45, 3.09, 3.47, 3.57, 3.48;  
47/47, 48.5, 41.14, 44, 46; D6/313; 374/155

See application file for complete search history.

(56) **References Cited**

**U.S. PATENT DOCUMENTS**

261,755	A	*	7/1882	Pennell	47/45
304,299	A	*	9/1884	Crabb	81/3.45
485,912	A	*	11/1892	Derby	47/46
553,235	A	*	1/1896	Fuller	47/44
636,531	A	*	11/1899	Jopson	7/155
D32,226	S	*	2/1900	Dotson	D8/356
645,401	A	*	3/1900	Maske	81/3.09
1,033,583	A	*	7/1912	Hart	248/153
1,106,954	A	*	8/1914	Lawson	40/659
1,287,413	A	*	12/1918	Parrella	81/3.48
1,433,420	A	*	10/1922	Seidts	40/660
1,591,374	A	*	7/1926	Hammill	248/87
1,875,618	A	*	9/1932	Lenon	47/47
1,916,305	A	*	7/1933	Brigham	47/47
2,021,303	A	*	11/1935	Grennan	47/47
2,083,526	A	*	6/1937	Rinker	47/47

2,173,217	A	*	9/1939	Thomson	47/47
2,209,873	A	*	7/1940	Cross	40/645
2,316,463	A	*	4/1943	Skulina	119/57.8
D145,245	S	*	7/1946	De Lemos	D8/34
2,506,321	A	*	5/1950	Vosburgh	248/153
2,520,818	A	*	8/1950	Terry	248/153
2,650,454	A	*	9/1953	Wurdinger	47/44
2,779,311	A	*	1/1957	Hamilton	119/57.8
2,884,899	A	*	5/1959	Jackes et al.	119/53
D234,615	S	*	3/1975	Kilham	D30/125
D236,139	S	*	7/1975	Kilmham	D30/125
3,913,527	A		10/1975	Kilham	119/51 R
D239,182	S	*	3/1976	Kilham	D30/125
D244,098	S	*	4/1977	Kilham	D30/128

(Continued)

*Primary Examiner*—M. H. Tung

*Assistant Examiner*—Susan Moon Lee

(74) *Attorney, Agent, or Firm*—Barlow, Josephs & Holmes, Ltd.

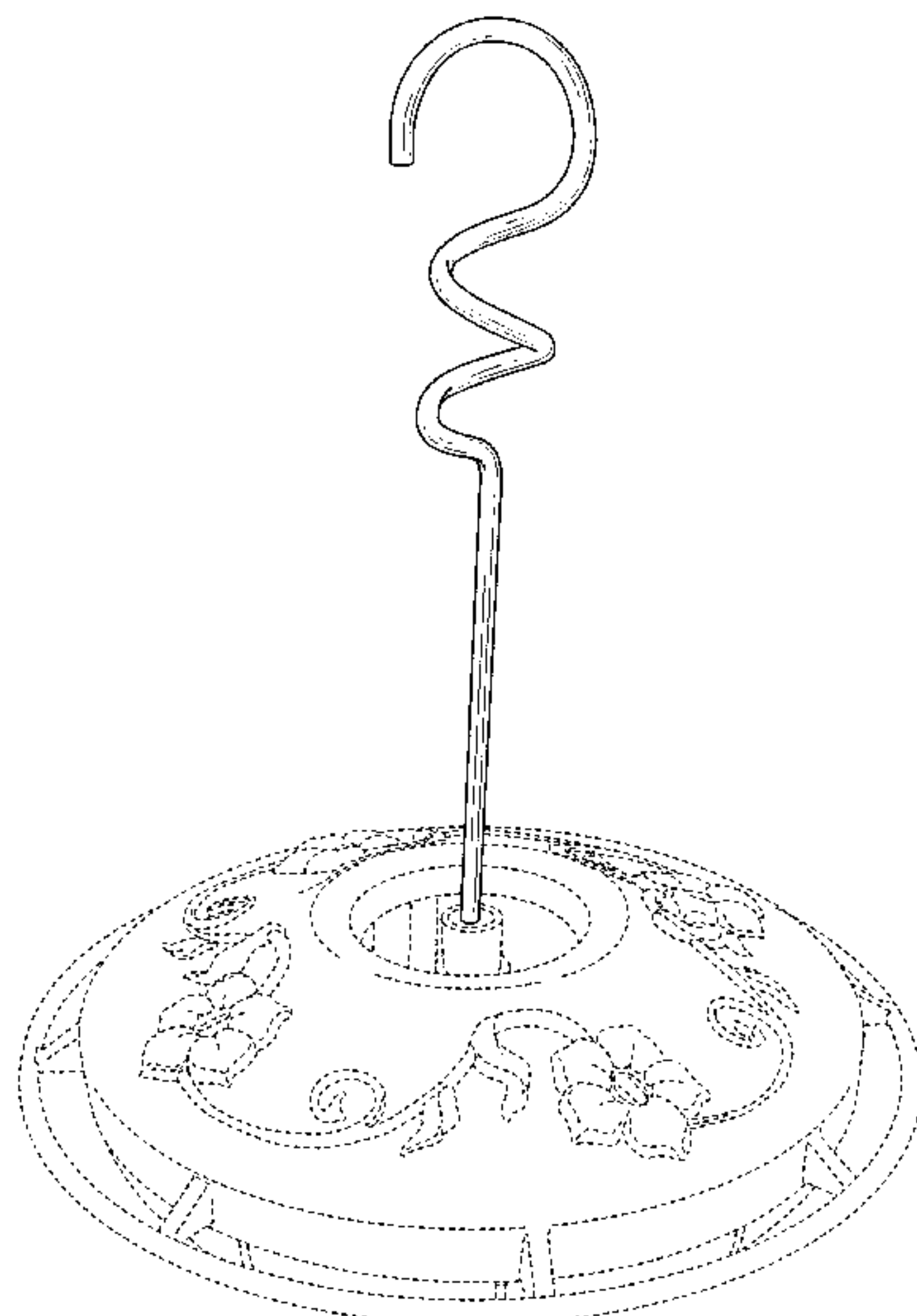
(57) **CLAIM**

The ornamental design for a hanger for a hummingbird feeder, as shown and described.

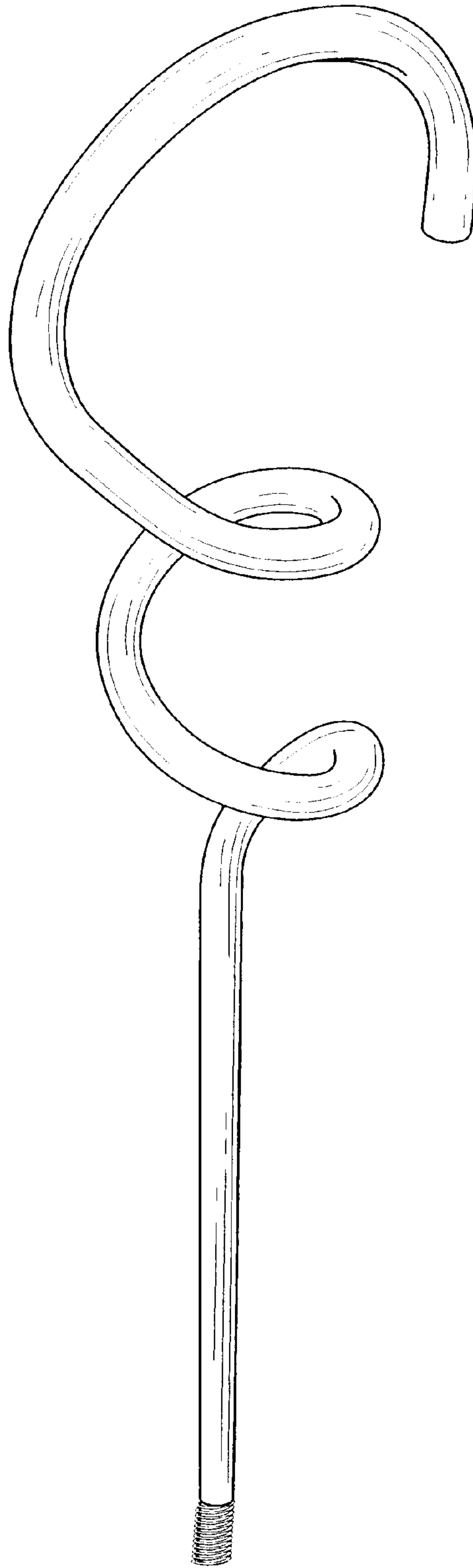
**DESCRIPTION**

FIG. 1 is a perspective view of a hanger for a hummingbird feeder showing our new design; FIG. 2 is a front elevational view thereof; FIG. 3 is a rear elevational view thereof; FIG. 4 is a left side elevational view thereof; FIG. 5 is a right side elevational view thereof; FIG. 6 is a top view thereof; FIG. 7 is a bottom view thereof; and, FIG. 8 is a perspective view of the hanger for a hummingbird feeder mounted on a hummingbird feeder, which is shown in broken lines where the broken lines form no part of the present invention, to show environment of the present invention.

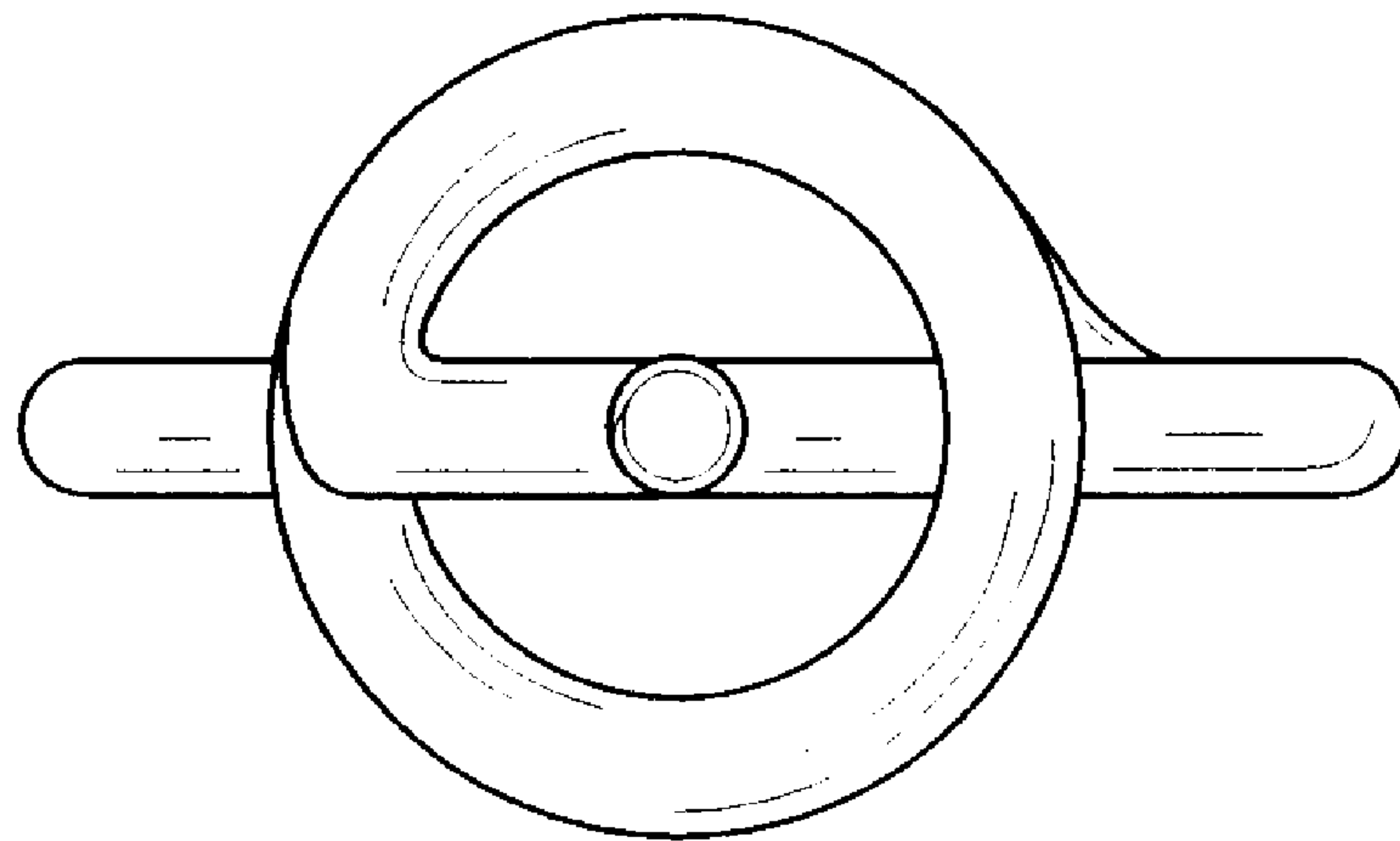
**1 Claim, 8 Drawing Sheets**



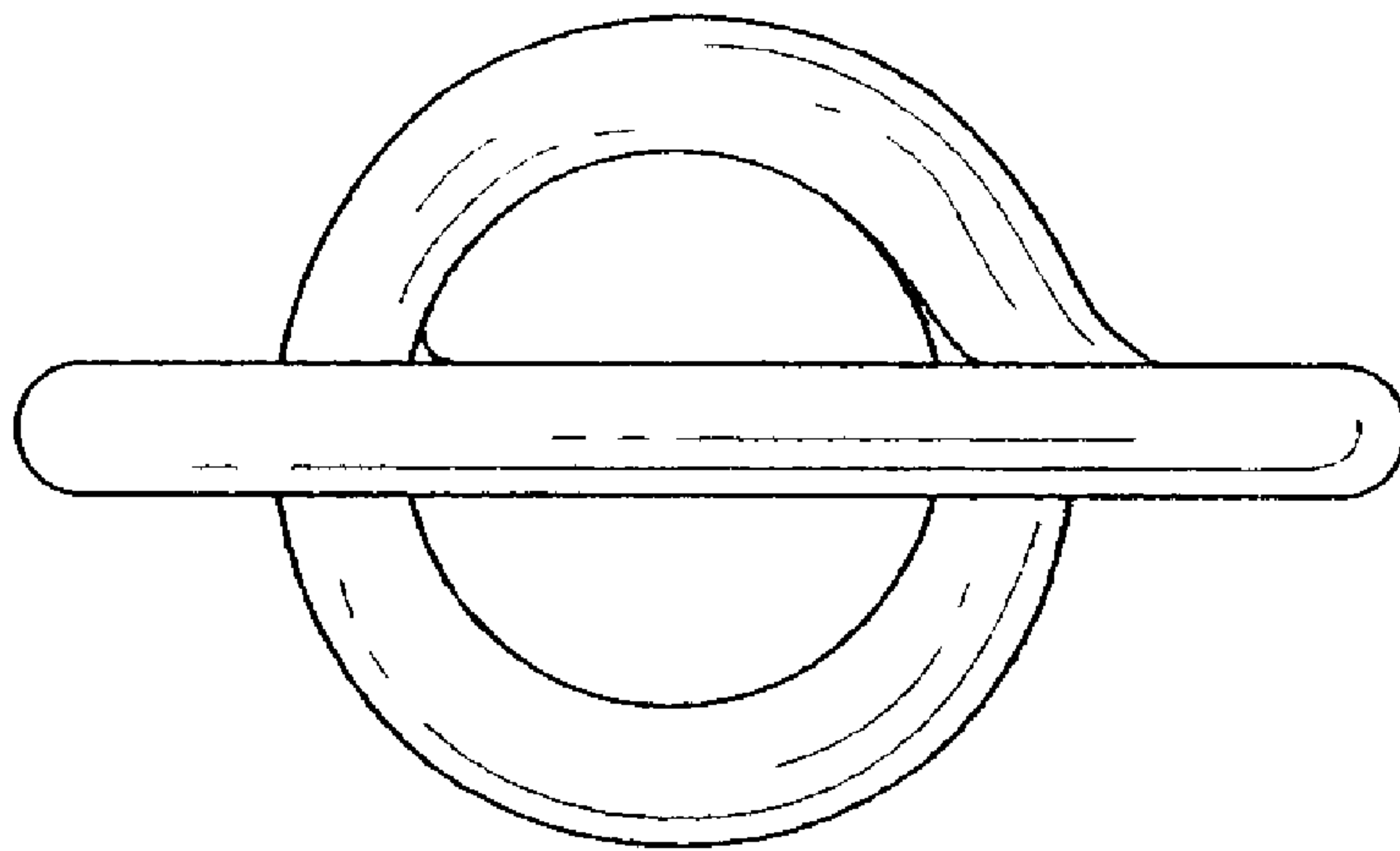




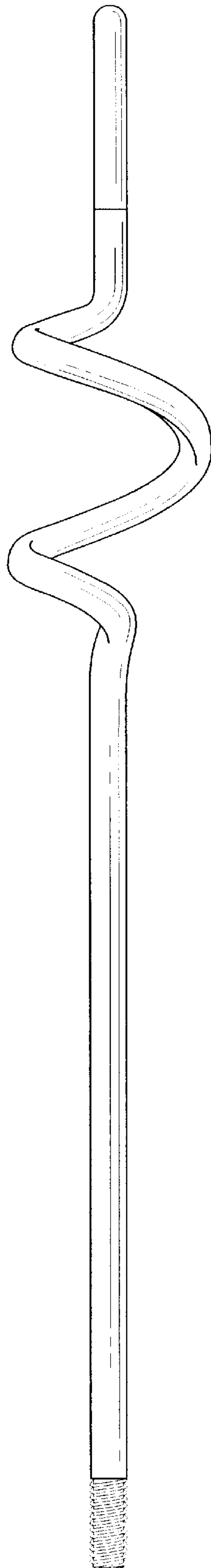
**FIG. 1**



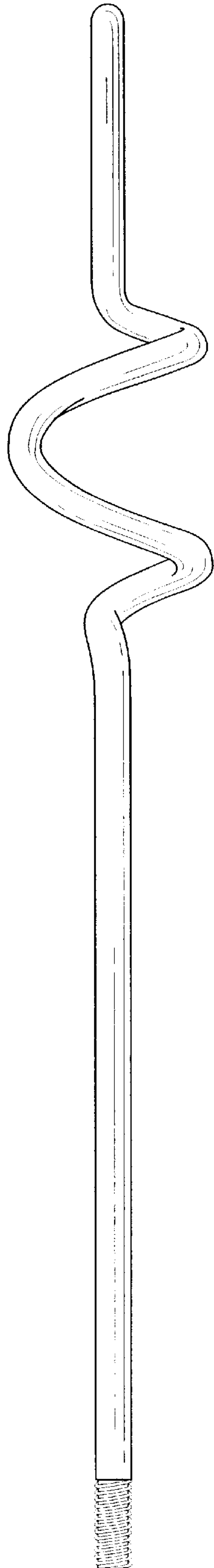
**FIG. 2**



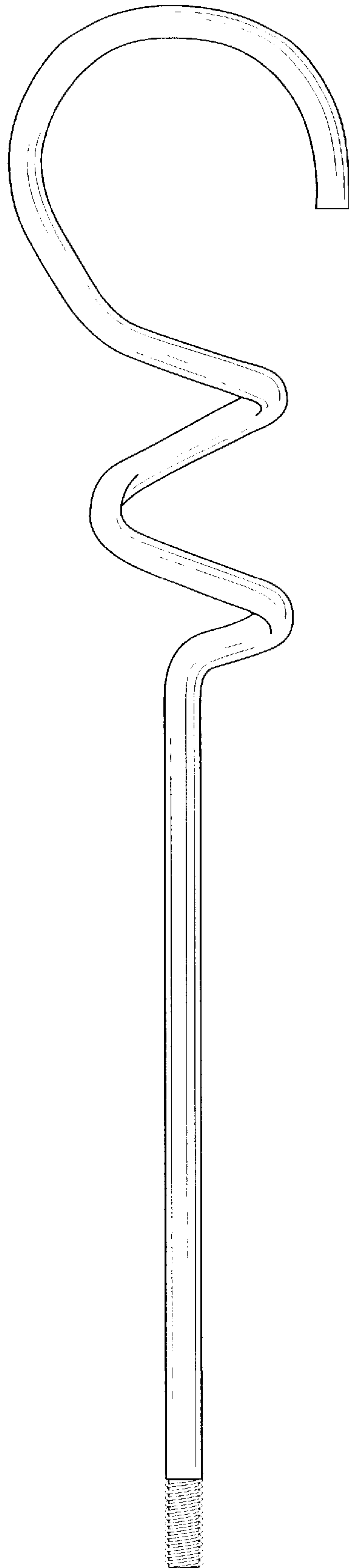
**FIG. 3**



**FIG. 4**

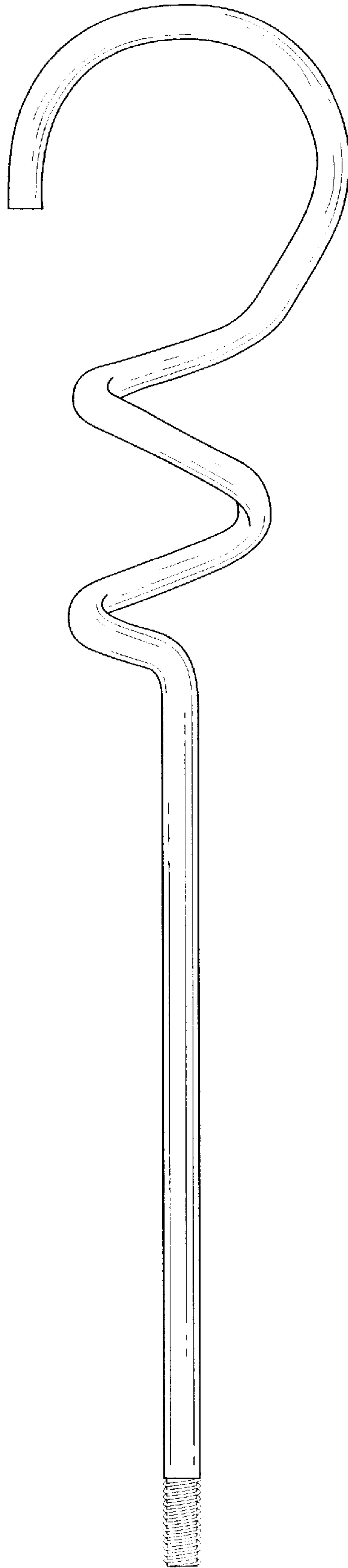


**FIG. 5**

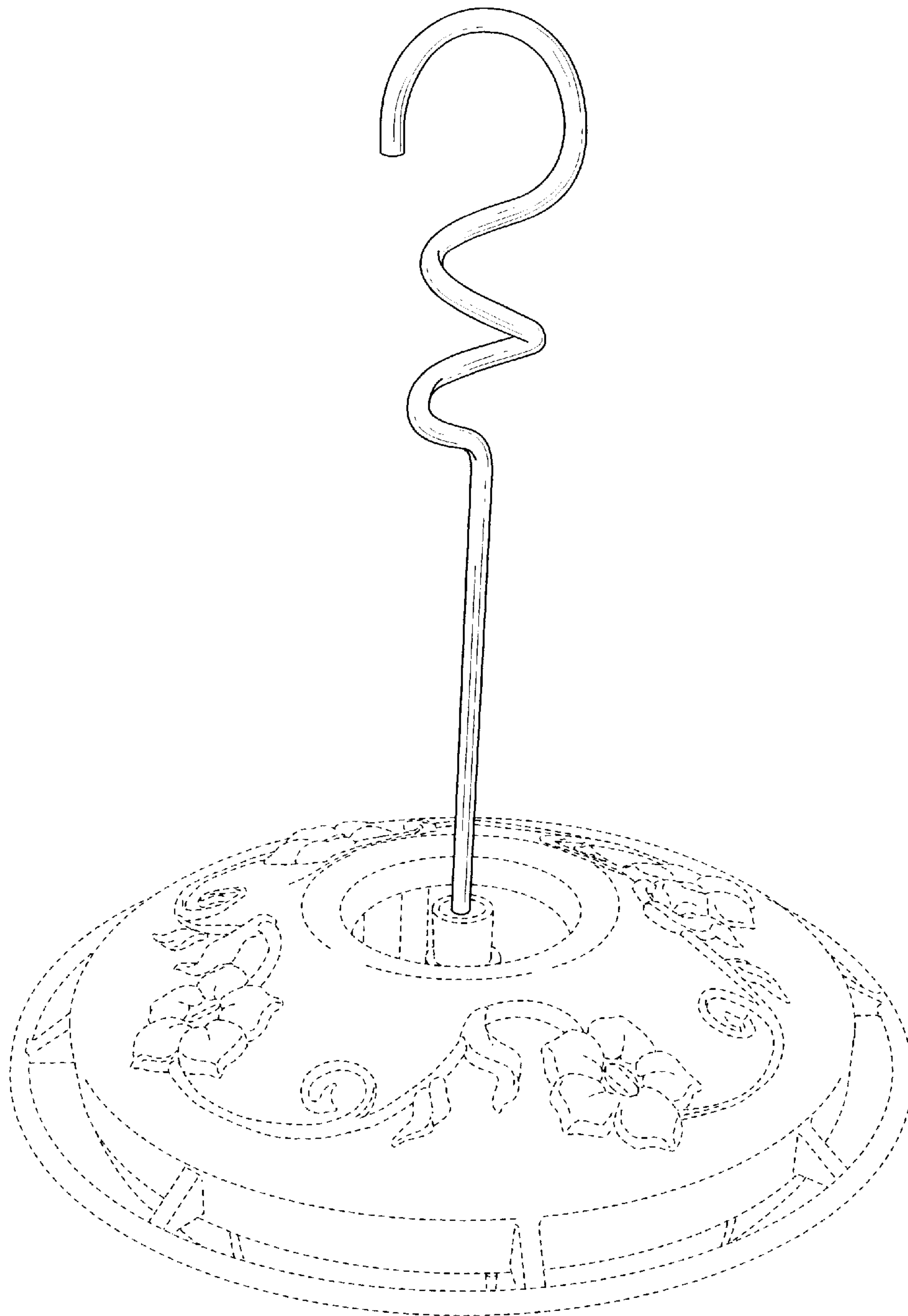


**FIG. 6**





**FIG. 7**



**FIG. 8**