



US00D536489S

(12) **United States Design Patent**
Renforth

(10) **Patent No.:** **US D536,489 S**

(45) **Date of Patent:** **** Feb. 6, 2007**

(54) **REVOLVING ANCHORED PET TOY**

(75) Inventor: **Jack W. Renforth**, Aurora, CO (US)

(73) Assignee: **Aspen Pet Products, Inc.**, Denver, CO (US)

(**) Term: **14 Years**

(21) Appl. No.: **29/213,165**

(22) Filed: **Sep. 13, 2004**

(51) **LOC (8) Cl.** **30-99**

(52) **U.S. Cl.** **D30/160**

(58) **Field of Classification Search** D30/160,
D30/199; 119/701-711; D21/406, 408, 490,
D21/498, 576, 599, 656

See application file for complete search history.

(56) **References Cited**

U.S. PATENT DOCUMENTS

D300,441 S	*	3/1989	Ryland	D21/653
5,197,913 A	*	3/1993	Suzuki	446/156
D373,662 S	*	9/1996	Box	D30/160
D380,879 S	*	7/1997	Hernandez	D30/160
5,829,391 A	*	11/1998	Krietzman et al.	119/708
D411,042 S	*	6/1999	Willinger	D30/160
D411,358 S	*	6/1999	Baiera et al.	D30/160
D412,767 S	*	8/1999	Bemis et al.	D30/160
D428,079 S	*	7/2000	Yamazaki	D21/599
D499,774 S	*	12/2004	Dong	D21/599

D503,440 S * 3/2005 Weiser et al. D21/599

* cited by examiner

Primary Examiner—Louis S. Zarfes

Assistant Examiner—Anhdao Doan

(74) *Attorney, Agent, or Firm*—Dorsey & Whitney LLP

(57) **CLAIM**

I claim the ornamental design for a revolving anchored pet toy, as shown and described.

DESCRIPTION

FIG. 1 is a perspective view showing the bottom and left sides of a revolving anchored pet toy;

FIG. 2 is a front plan view of the revolving anchored pet toy depicted in FIG. 1;

FIG. 3 is a rear plan view of the revolving anchored pet toy depicted in FIG. 1;

FIG. 4 is a right-side view of the revolving anchored pet toy depicted in FIG. 1;

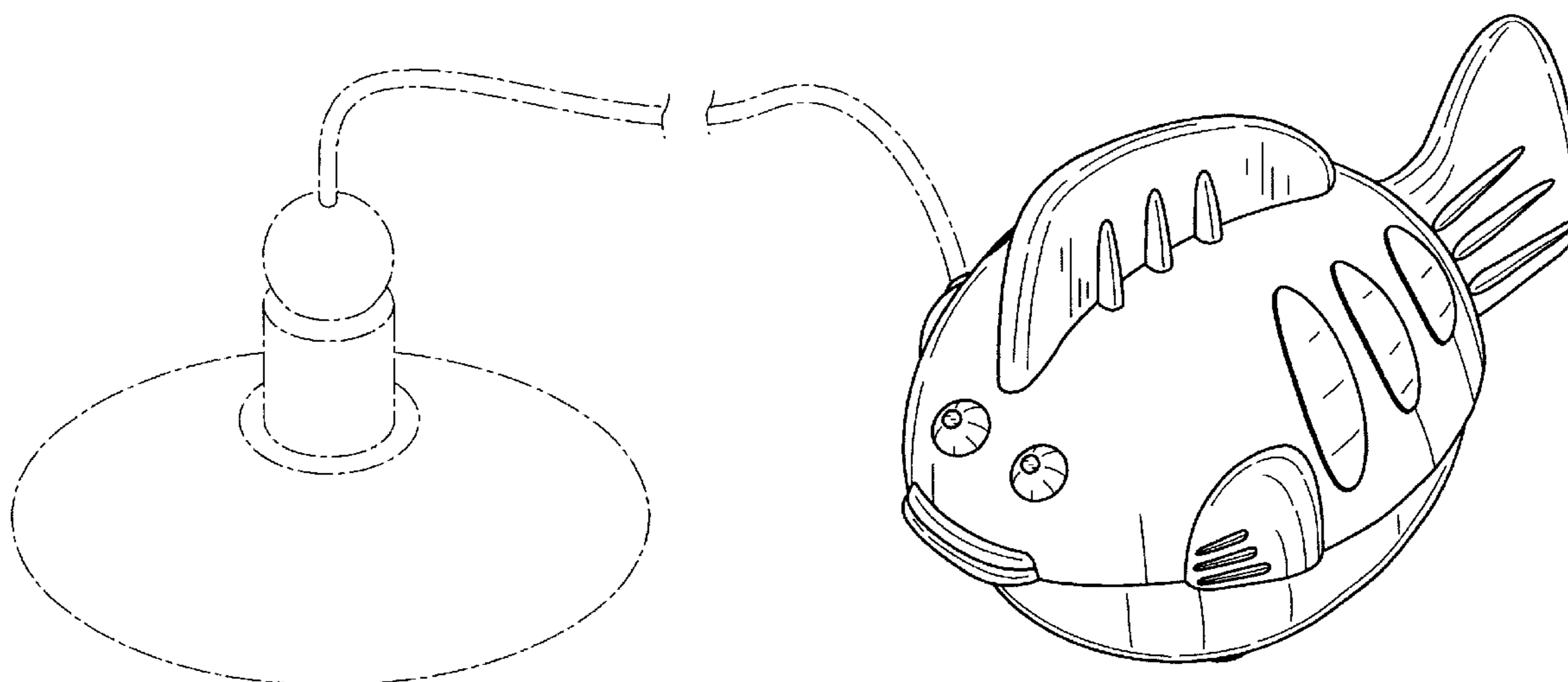
FIG. 5 is a left-side view of the revolving anchored pet toy depicted in FIG. 1;

FIG. 6 is a top plan view of the revolving anchored pet toy depicted in FIG. 1; and,

FIG. 7 is a bottom plan view of the revolving anchored pet toy depicted in FIG. 1.

The broken line showing of the environment is for illustrative purposes only and forms no part of the claimed design.

1 Claim, 5 Drawing Sheets



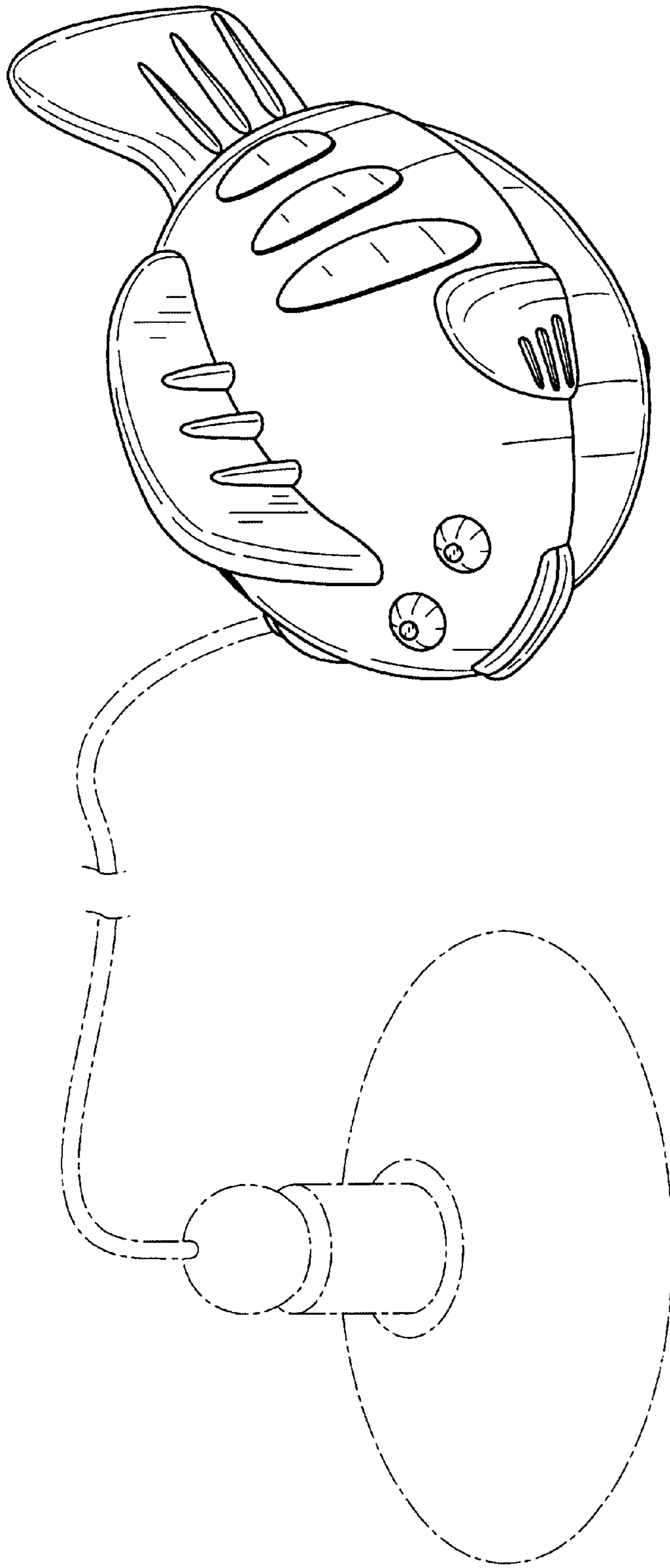


FIG.1

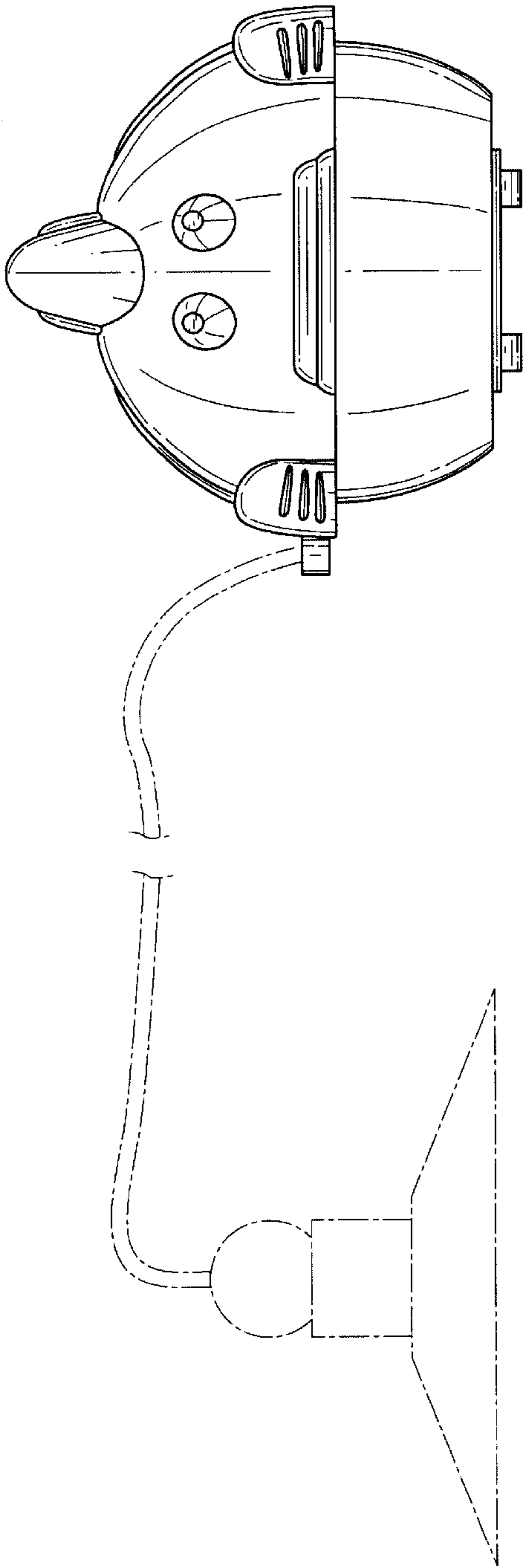


FIG.2

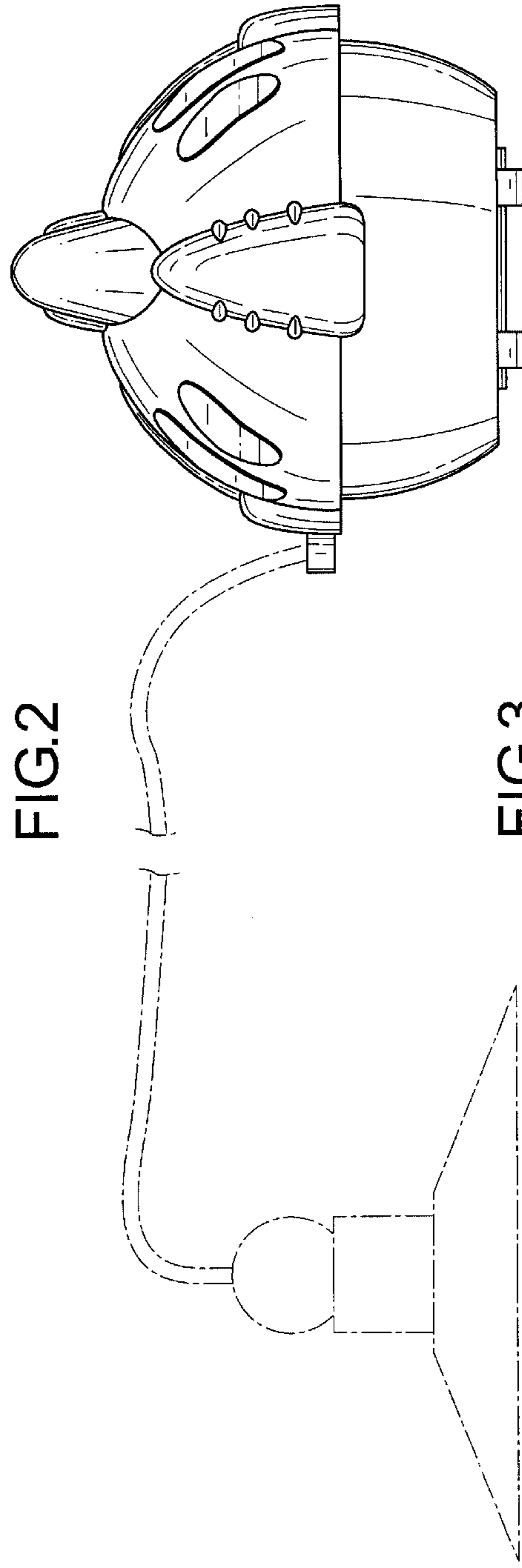


FIG.3

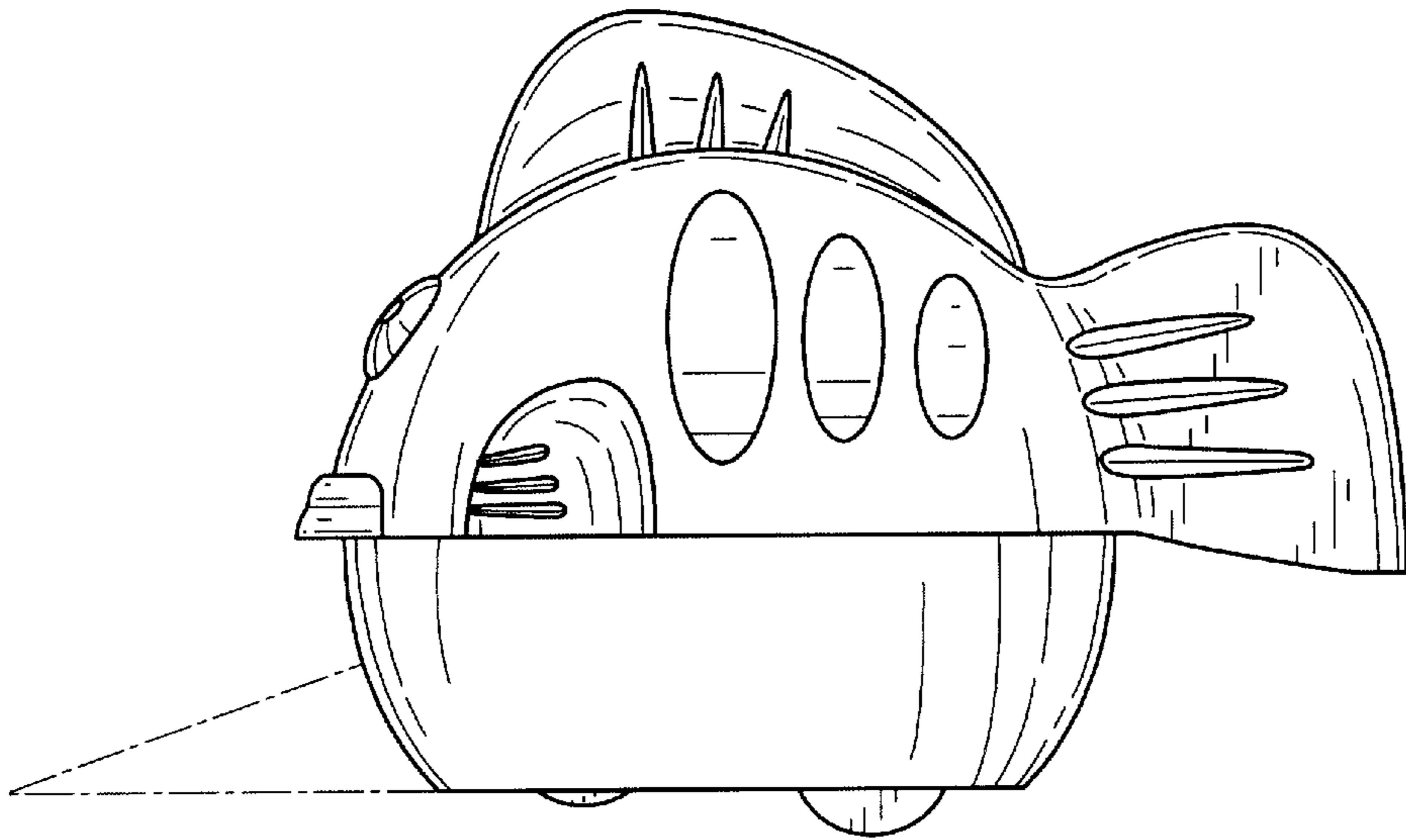


FIG.4

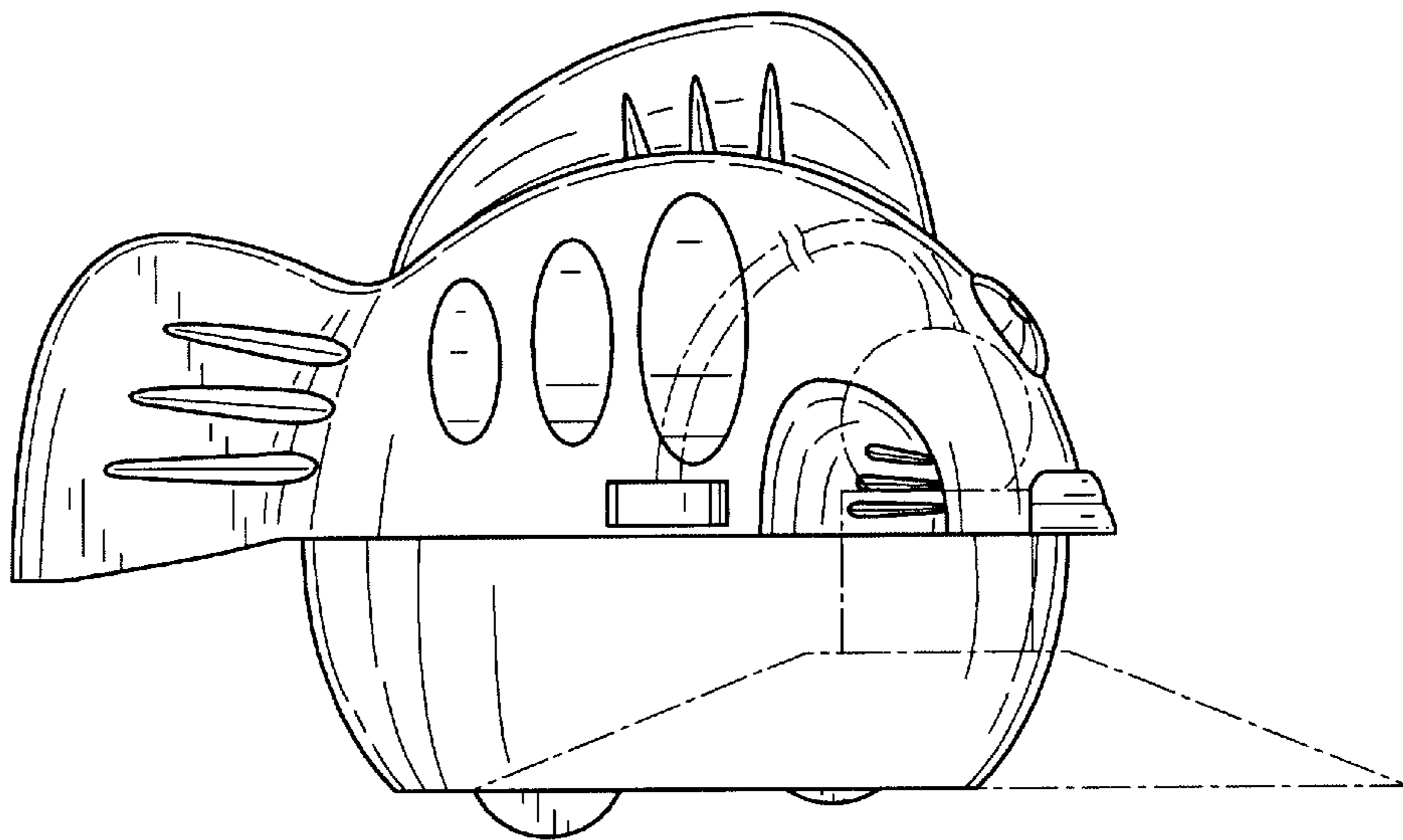


FIG.5

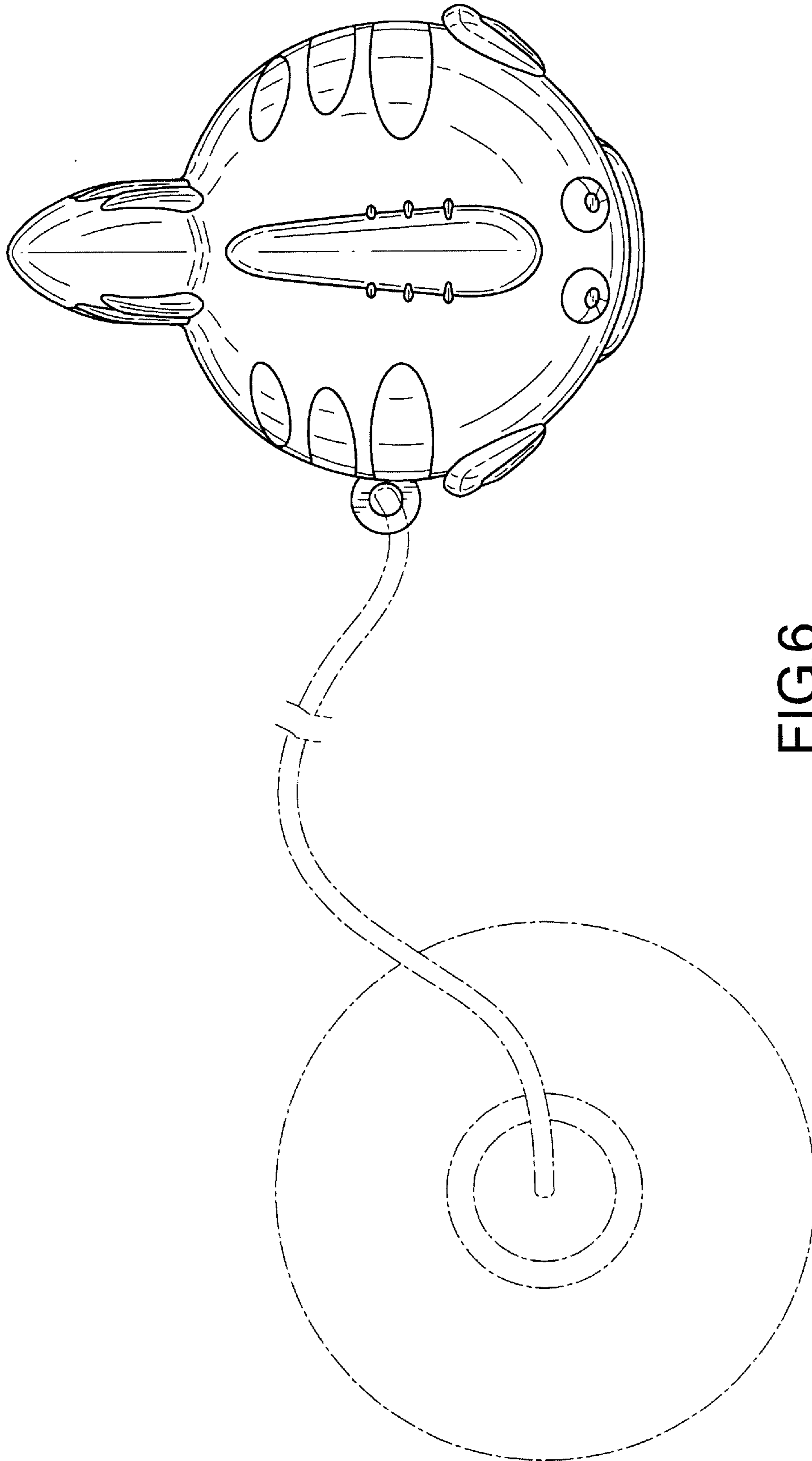


FIG. 6

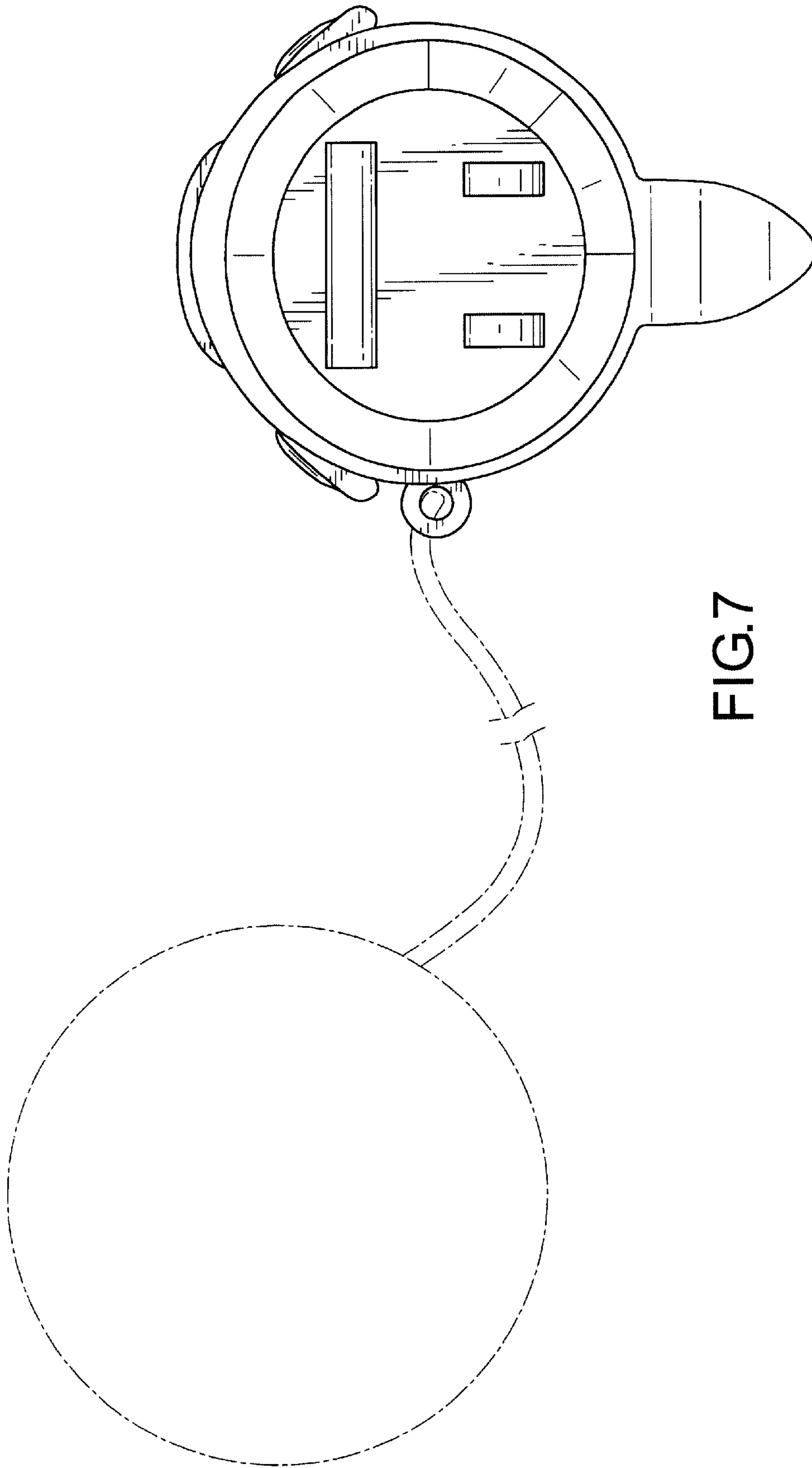


FIG. 7