



US00D536486S

(12) **United States Design Patent**  
**Himmele**

(10) **Patent No.:** **US D536,486 S**

(45) **Date of Patent:** **\*\* Feb. 6, 2007**

- (54) **HELMET WITH BINOCULARS**
- (76) Inventor: **Tristram Himmele**, 3543 S. Ocean Blvd. #113, Palm Beach, FL (US) 33480
- (\*\*) Term: **14 Years**
- (21) Appl. No.: **29/243,450**
- (22) Filed: **Nov. 25, 2005**
- (51) **LOC (8) Cl.** ..... **29-02**
- (52) **U.S. Cl.** ..... **D29/103**
- (58) **Field of Classification Search** ..... D29/102-109, D29/111-112, 122; 2/5, 6.1-6.3, 6.5-6.8, 2/9, 410-415, 421-425, 427-428, 435, 468, 2/205-206, 172-173, 209, 209.13; 359/409, 359/480, 815; 345/8
- See application file for complete search history.

6,028,627	A	2/2000	Helmsderfer	.....	348/157
6,046,712	A	4/2000	Beller et al.	.....	345/8
6,115,846	A	9/2000	Truesdale	.....	2/209.13
6,160,666	A	12/2000	Rallison et al.	.....	359/630
6,172,808	B1	1/2001	Foreman et al.	.....	359/481
6,247,205	B1	6/2001	Damadian	.....	24/3.12
6,305,026	B1	10/2001	Mo	.....	2/209.13
6,462,894	B1	* 10/2002	Moody	.....	359/815
D473,975	S	* 4/2003	Batts	.....	D29/103
6,560,029	B1	* 5/2003	Dobbie et al.	.....	359/631
6,614,603	B2	9/2003	Himmele	.....	359/815
6,662,370	B1	* 12/2003	Buchanan, Jr.	.....	2/6.2
7,031,068	B2	4/2006	Himmele	.....	359/630
D524,990	S	* 7/2006	Steinhobel	.....	D29/103
7,091,930	B2	* 8/2006	Ostromek et al.	.....	345/8
2006/0143764	A1	* 7/2006	Reed et al.	.....	2/6.2

(56) **References Cited**

**U.S. PATENT DOCUMENTS**

2,005,011	A	6/1935	Iannarelli	.....	359/409
D137,337	S	* 2/1944	Gainsborg et al.	.....	D29/103
2,649,019	A	8/1953	Hartline	.....	88/36
2,986,969	A	6/1961	Muncheryan	.....	88/41
3,597,041	A	8/1971	Frantz	.....	350/72
3,741,634	A	6/1973	Stoltle	.....	351/57
4,077,703	A	3/1978	Pablo	.....	359/480
4,810,057	A	3/1989	Dunkley	.....	350/139
4,877,318	A	10/1989	Miles et al.	.....	350/569
4,953,766	A	9/1990	Cruickshank	.....	224/181
4,953,963	A	* 9/1990	Miller	.....	359/409
5,023,706	A	6/1991	Sandberg	.....	359/408
5,179,735	A	1/1993	Thomanek	.....	359/815
D344,160	S	* 2/1994	Boza	.....	D29/107
D360,058	S	* 7/1995	Reede	.....	D29/103
5,535,053	A	* 7/1996	Baril et al.	.....	359/409
5,608,808	A	3/1997	Da Silva	.....	351/123
5,634,201	A	5/1997	Mooring	.....	455/90
D386,298	S	11/1997	Hancock	.....	D3/218
5,715,323	A	2/1998	Walker	.....	351/123
5,724,119	A	3/1998	Leight	.....	351/158
5,767,820	A	6/1998	Bassett et al.	.....	345/8
5,786,932	A	7/1998	Pniel	.....	359/409
5,828,437	A	10/1998	Hubert-Hubart et al.	.....	351/44

**OTHER PUBLICATIONS**

- U.S. Appl. No. 29/243,838.  
 U.S. Appl. No. 29/258,718.  
 U.S. Appl. No. 29/258,719.  
 U.S. Appl. No. 29/259,371.  
 U.S. Appl. No. 29/259,402.  
 U.S. Appl. No. 11/351,014.  
 U.S. Appl. No. 11/350,600.

\* cited by examiner

*Primary Examiner*—Ruth McInroy  
(74) *Attorney, Agent, or Firm*—Clifford Kraft

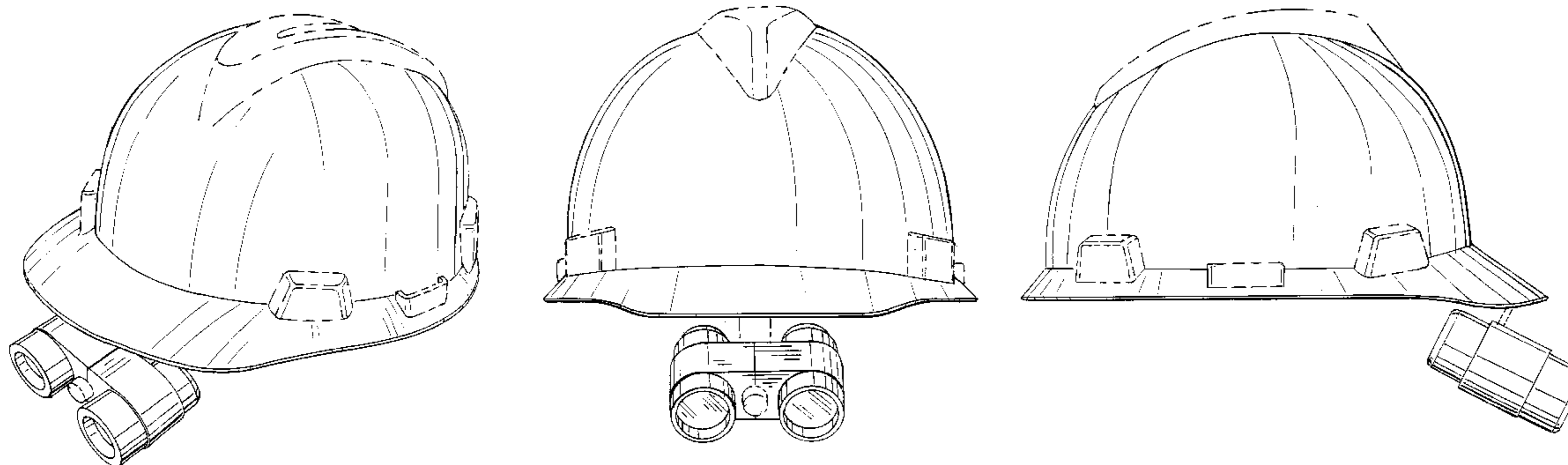
(57) **CLAIM**

The ornamental design for a helmet with binoculars, as shown and described.

**DESCRIPTION**

FIG. 1 is a perspective view of the helmet with binoculars. FIG. 2 is a front view thereof. FIG. 3 is a side view thereof. FIG. 4 is a rear view thereof. FIG. 5 is a top view thereof; and, FIG. 6 is a bottom view thereof. The details shown in broken lines form no part of the claimed design.

**1 Claim, 6 Drawing Sheets**



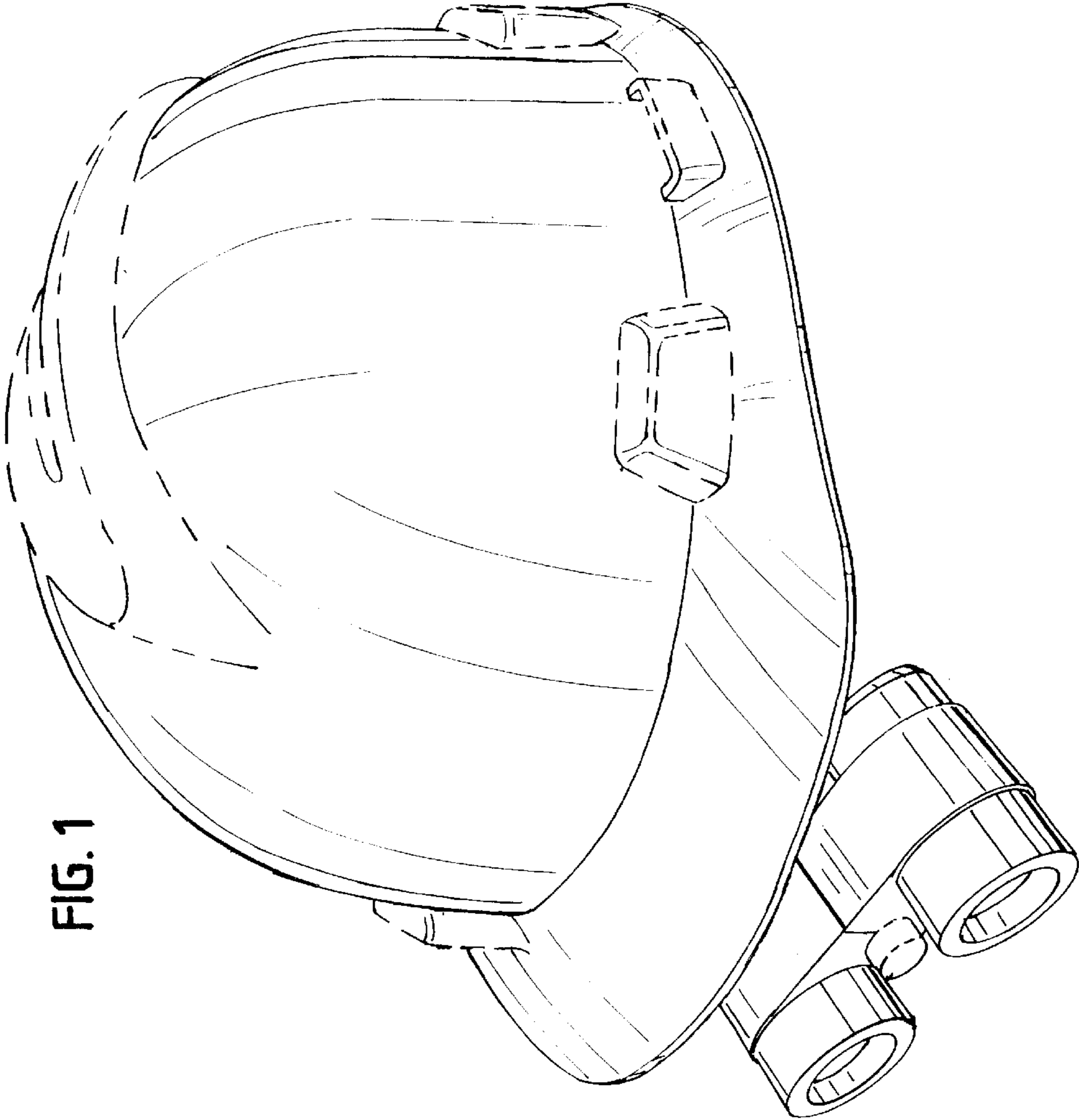


FIG. 1

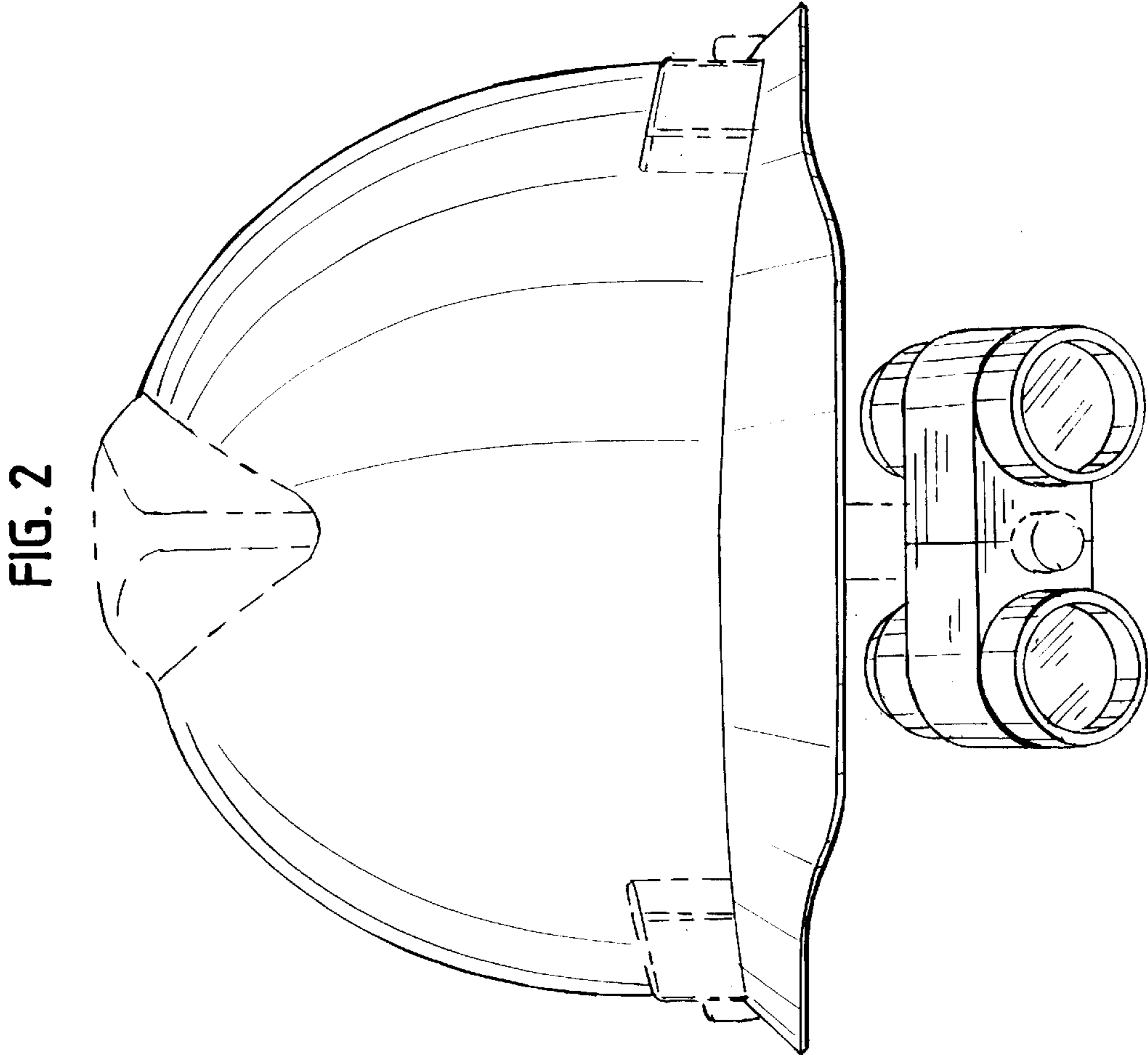
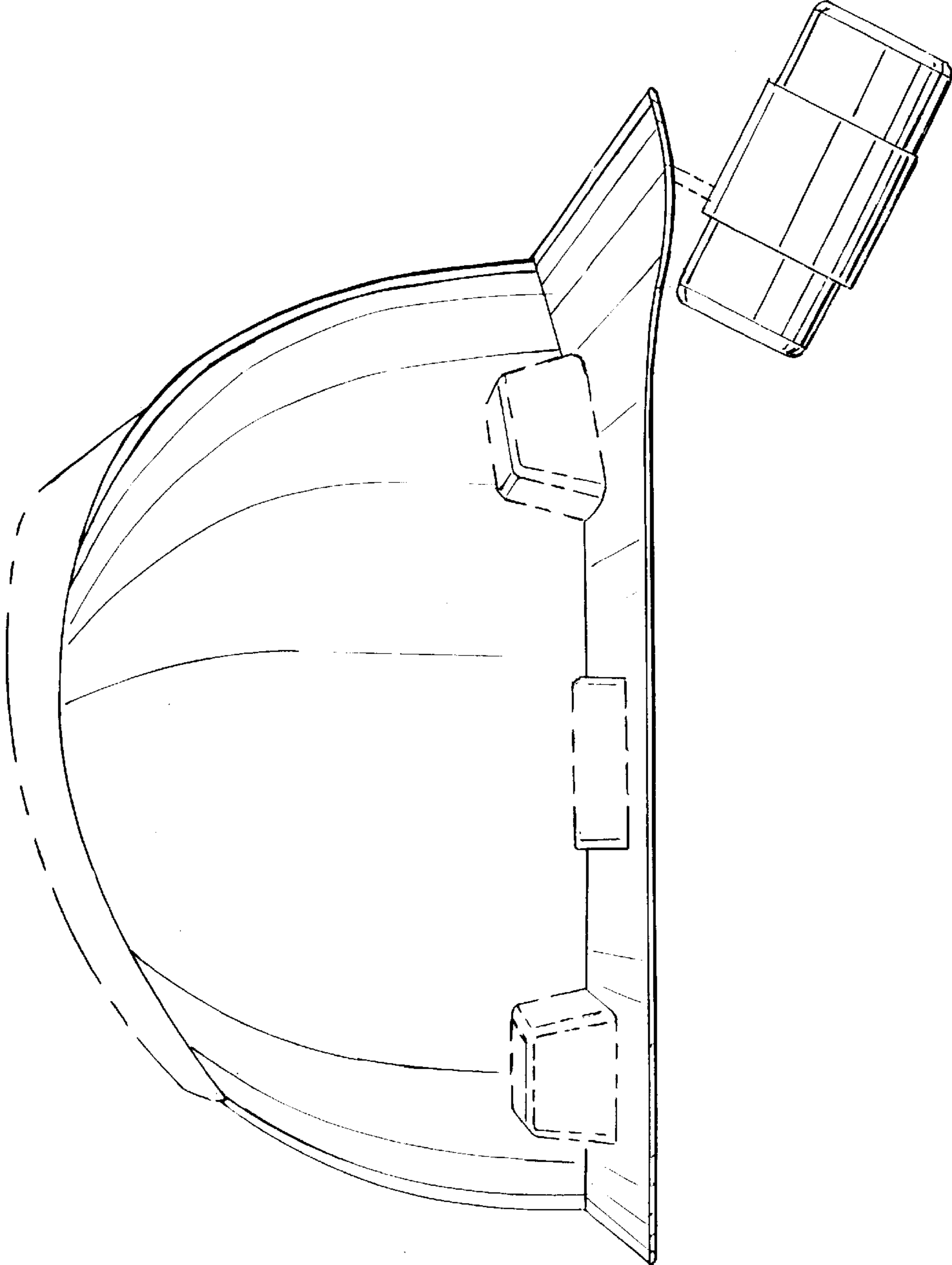
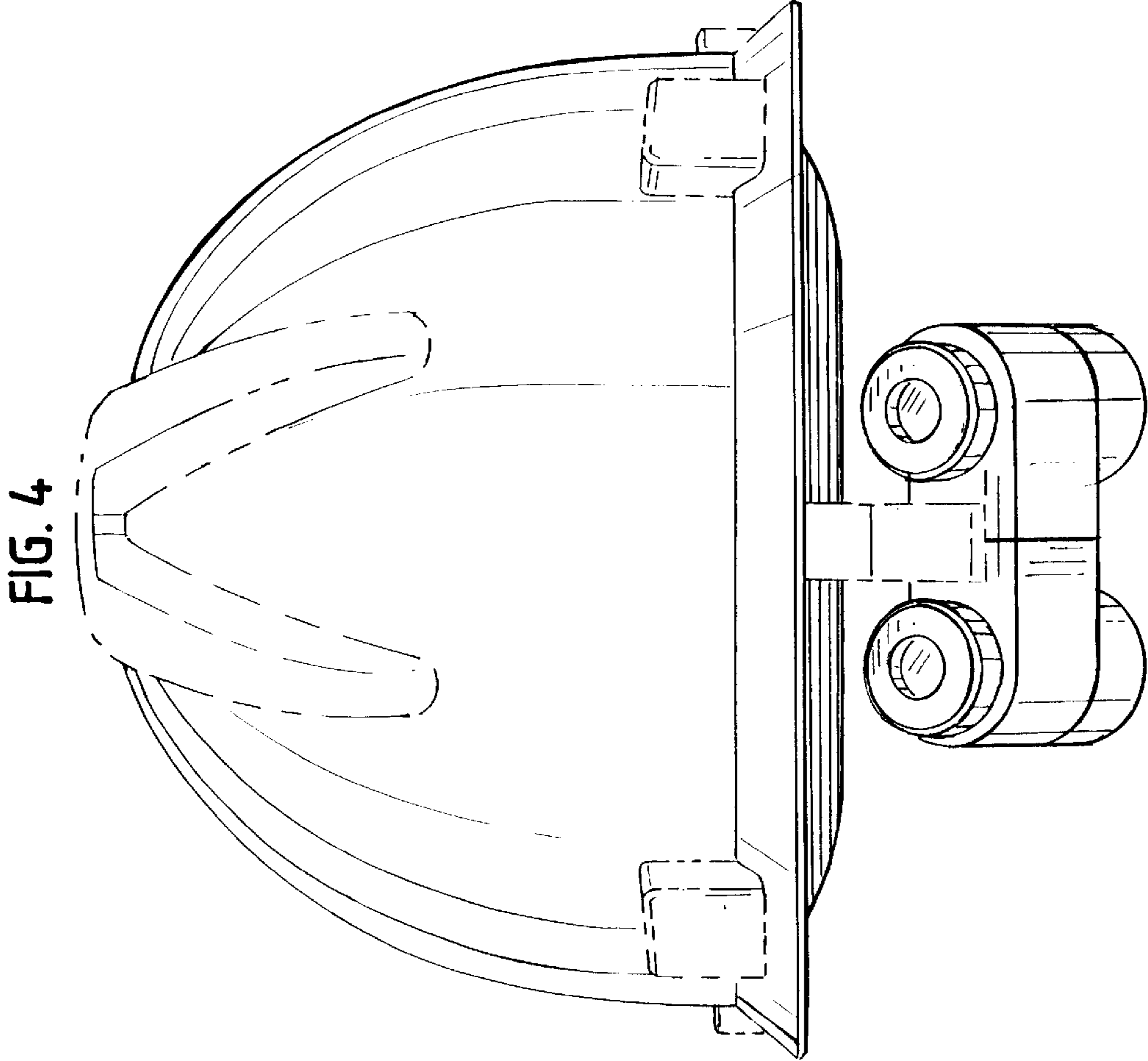


FIG. 3





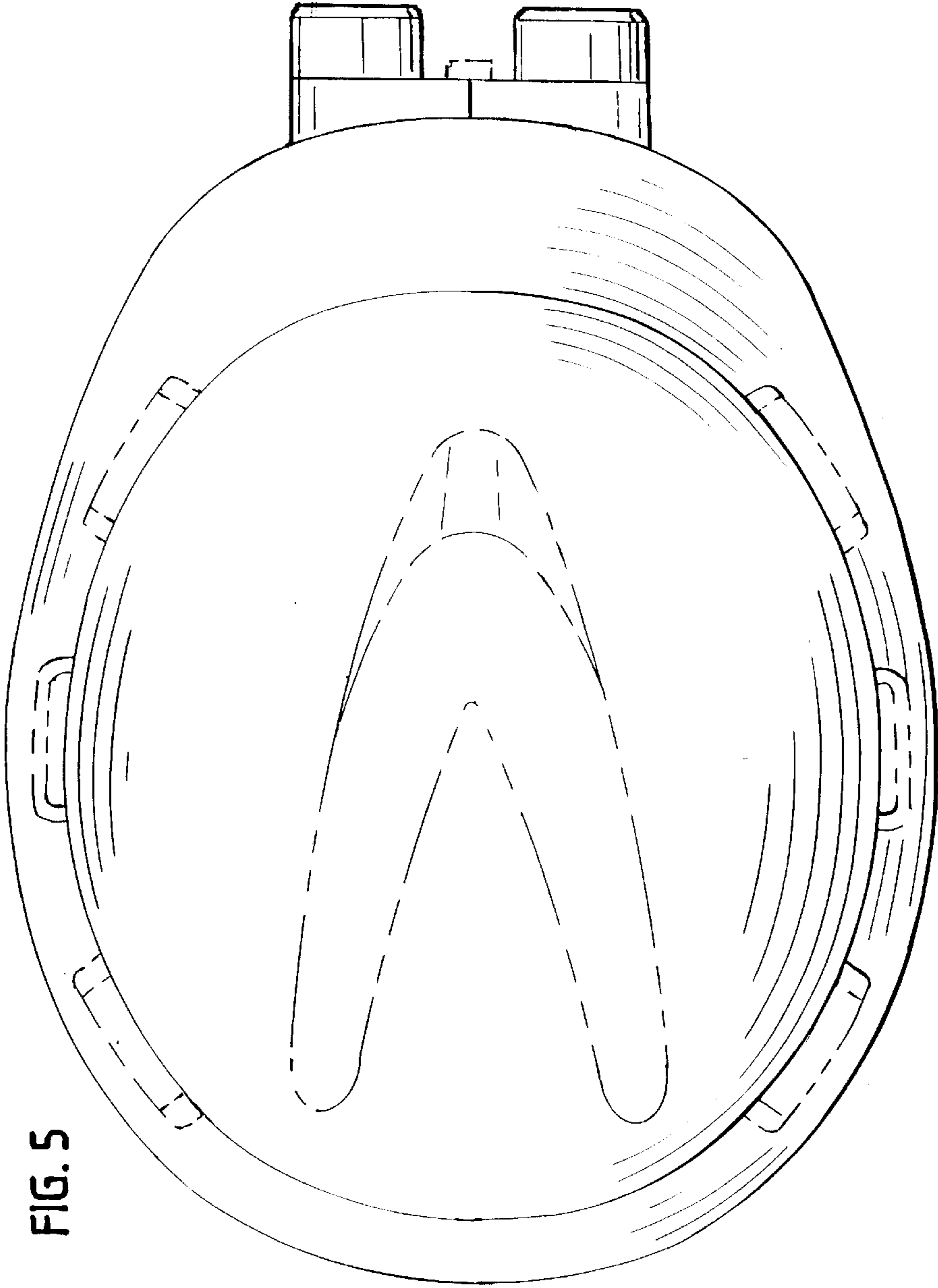


FIG. 5

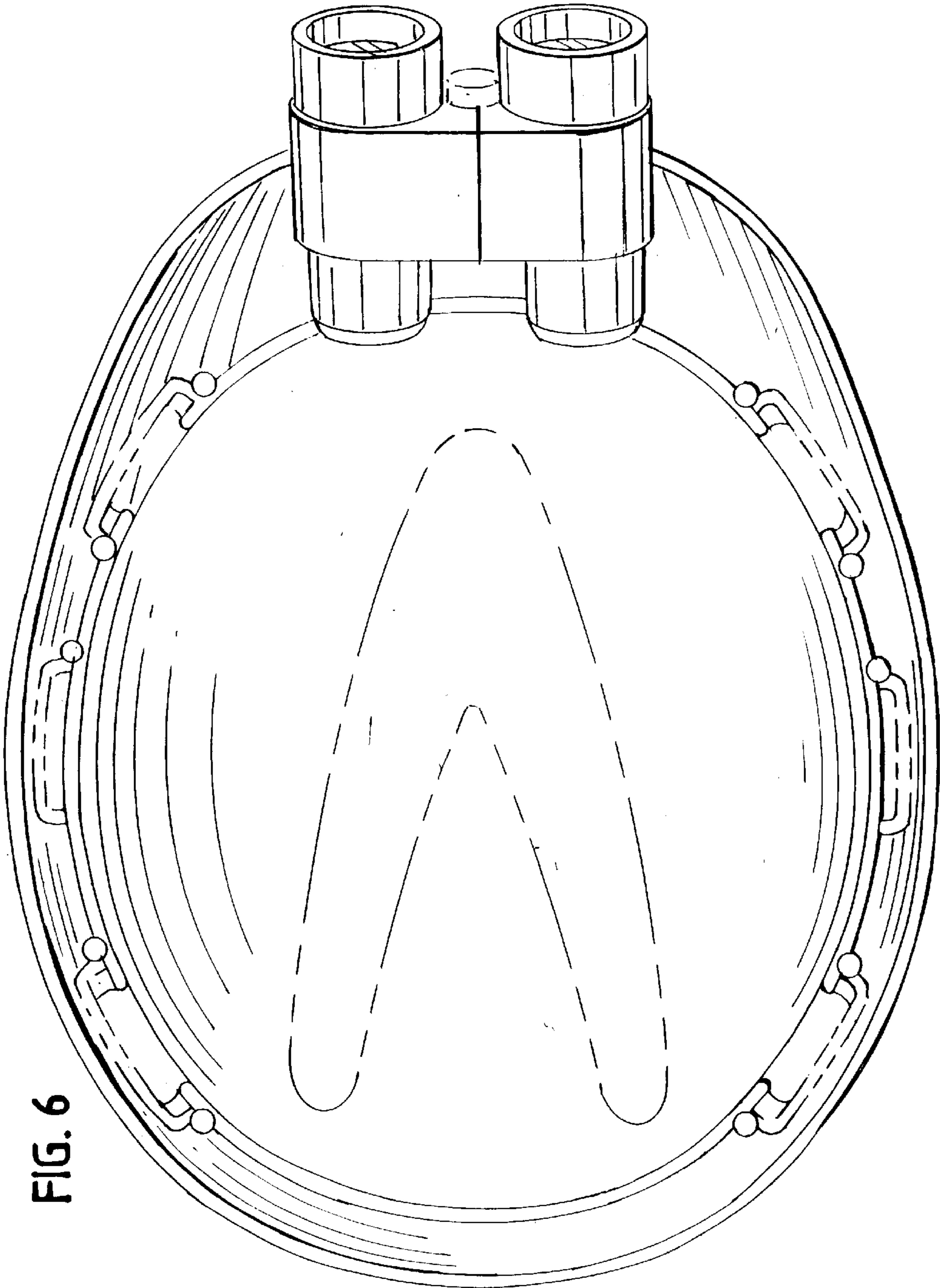


FIG. 6