

US00D536483S

(12) **United States Design Patent**  
**Lun et al.**

(10) **Patent No.:** **US D536,483 S**

(45) **Date of Patent:** **\*\* Feb. 6, 2007**

(54) **HAIR STYLING APPLIANCE**

(75) Inventors: **Herbert Lun**, Hong Kong (HK);  
**Michael Cafaro**, El Paso, TX (US)

(73) Assignee: **Helen of Troy Limited**, St. Michael  
(BB)

(\*\*) Term: **14 Years**

(21) Appl. No.: **29/220,993**

(22) Filed: **Jan. 6, 2005**

(51) **LOC (8) Cl.** ..... **28-03**

(52) **U.S. Cl.** ..... **D28/35**

(58) **Field of Classification Search** ..... 132/222–225,  
132/227–229, 232, 236, 245, 269, 271; 219/222,  
219/225, 226; D28/35

See application file for complete search history.

(56) **References Cited**

**U.S. PATENT DOCUMENTS**

D323,040 S \* 1/1992 Smal ..... D28/35  
D424,742 S \* 5/2000 Hirata ..... D28/35  
D489,483 S \* 5/2004 Cho ..... D28/35

D489,484 S \* 5/2004 Cheung ..... D28/35  
2006/0150996 A1 \* 7/2006 Lun et al. .... 132/224

\* cited by examiner

*Primary Examiner*—Jennifer Rivard

(74) *Attorney, Agent, or Firm*—Vinson & Elkins L.L.P.

(57) **CLAIM**

The ornamental design for a hair styling appliance, as shown and described.

**DESCRIPTION**

FIG. 1 is a top plan view of a hair styling appliance design. FIG. 2 is a right side elevation of a hair styling appliance design.

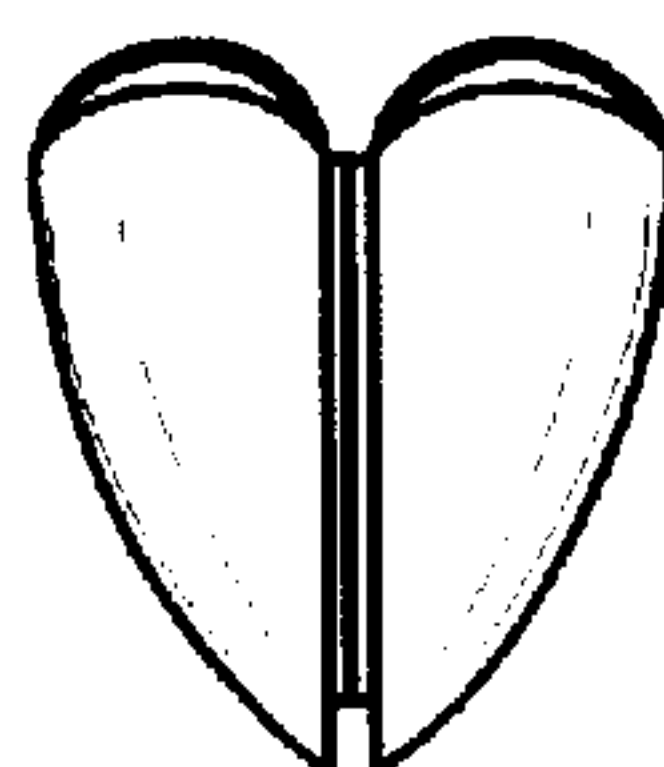
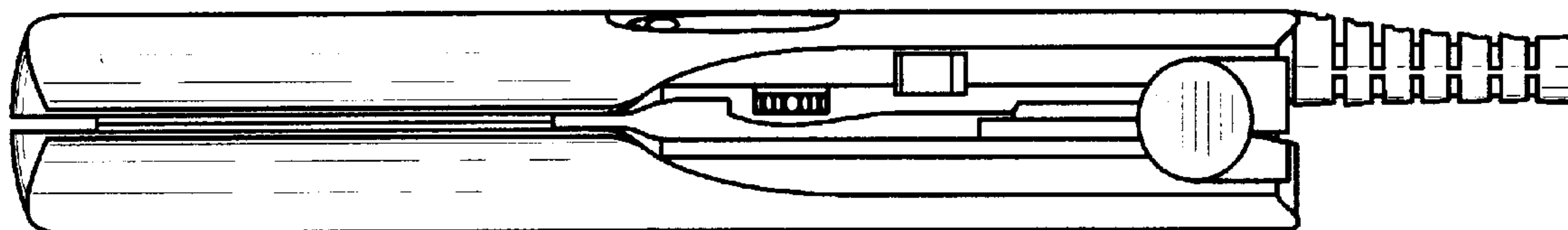
FIG. 3 is a left side elevation of a hair styling appliance design.

FIG. 4 is a distal end elevation of a hair styling appliance design.

FIG. 5 is a proximal end elevation of a hair styling appliance design; and,

FIG. 6 is a left side elevation view of a hair styling appliance design in an alternative position.

**1 Claim, 2 Drawing Sheets**



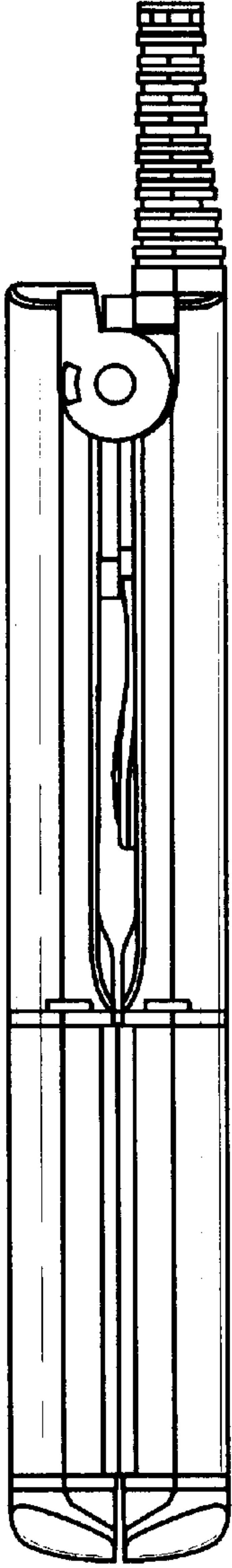


FIG. 1

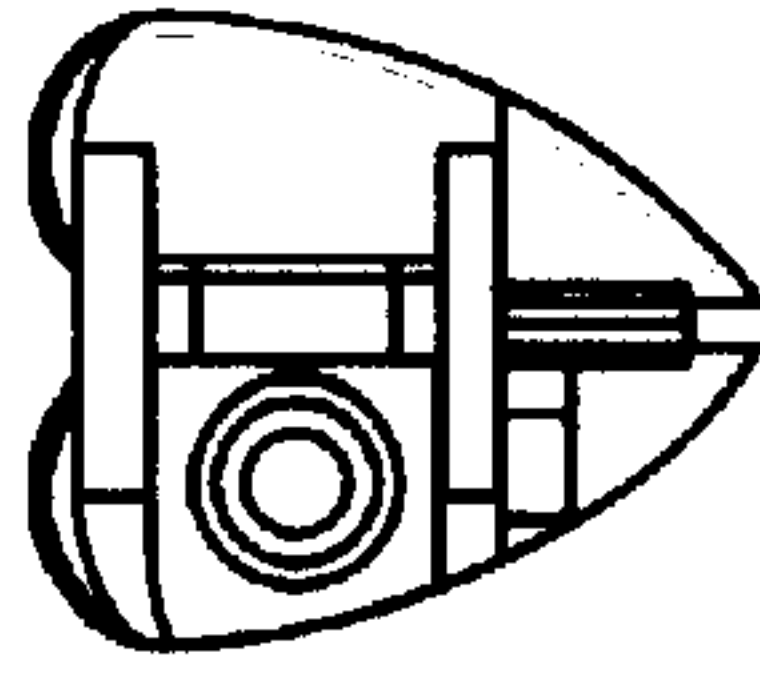


FIG. 5

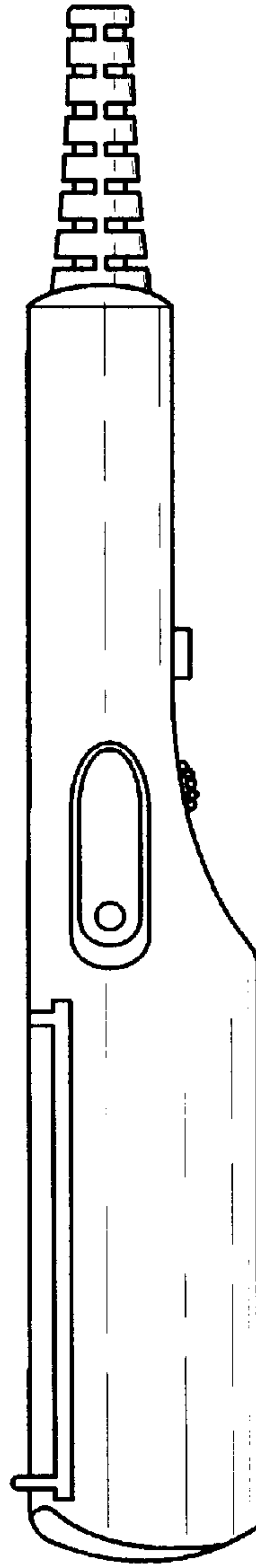


FIG. 2

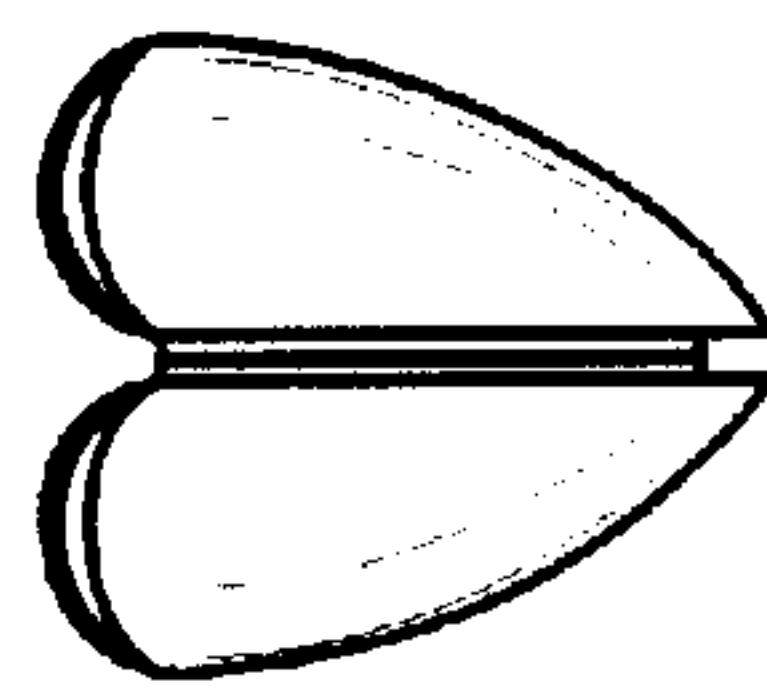


FIG. 4

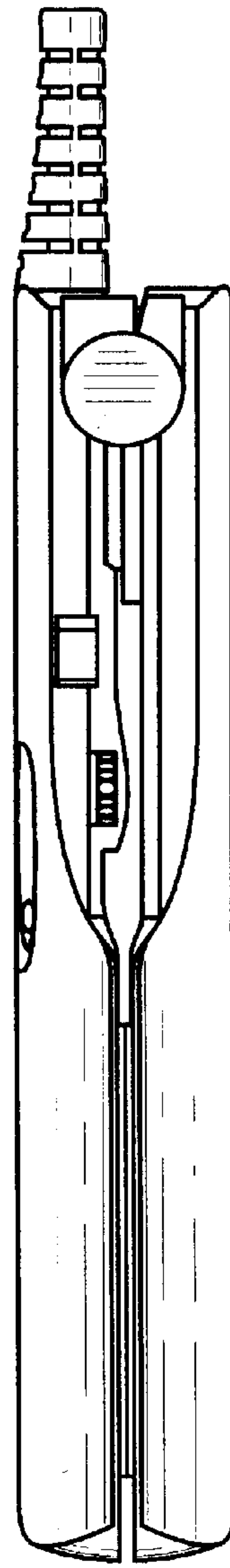


FIG. 3

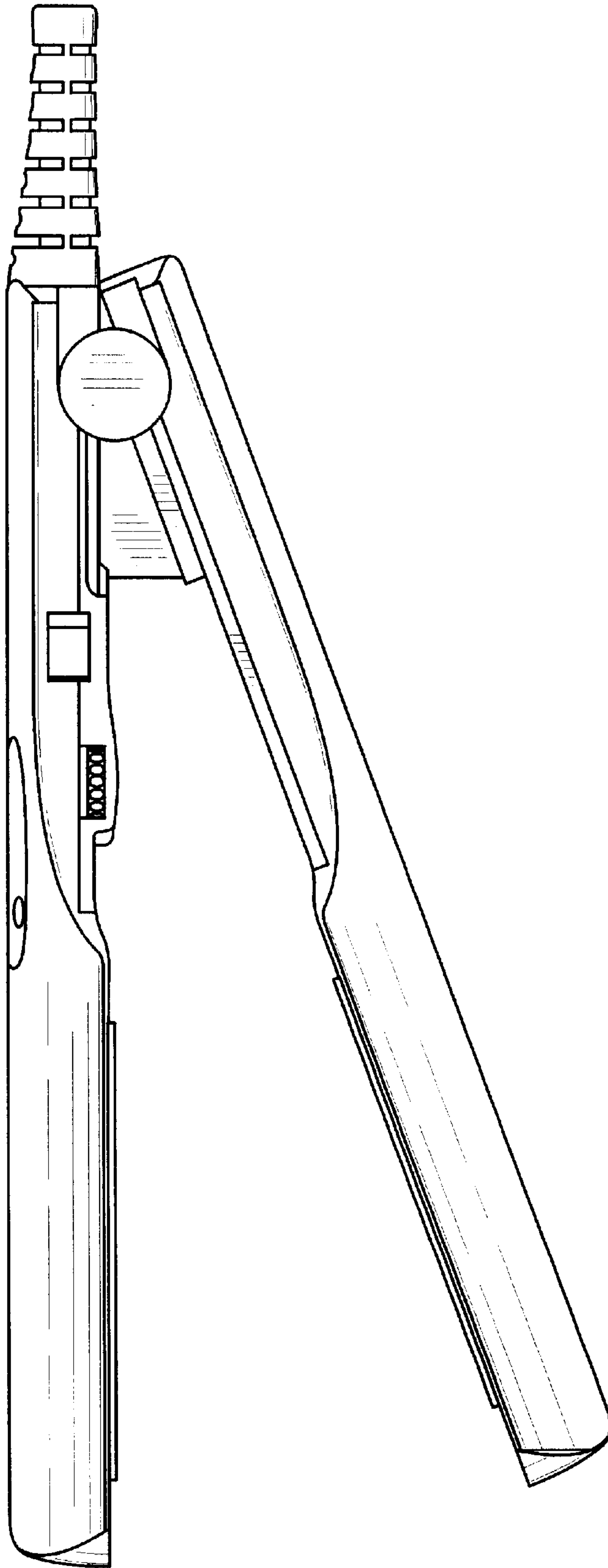


FIG. 6