



US00D536481S

(12) **United States Design Patent**  
**Angeletta**

(10) **Patent No.:** **US D536,481 S**

(45) **Date of Patent:** **\*\* Feb. 6, 2007**

(54) **REPLACEABLE COMPONENT FOR A LIQUID AND LOTION APPLICATOR**

(76) Inventor: **Joseph G. Angeletta**, 418 Fifth St., Mamaroneck, NY (US) 10543

(\*\*) Term: **14 Years**

(21) Appl. No.: **29/188,039**

(22) Filed: **Aug. 12, 2003**

**Related U.S. Application Data**

(63) Continuation-in-part of application No. 29/141,995, filed on May 16, 2001, now abandoned.

(51) **LOC (8) Cl.** ..... **28-02**

(52) **U.S. Cl.** ..... **D28/7; D9/447**

(58) **Field of Classification Search** ..... D28/7; D9/723-729, 442, 443, 445, 447, 453, 454, D9/435, 440, 436; D4/137, 114, 116, 102; 401/6, 130, 196, 183, 202-207, 261-266, 401/186; 132/320; D24/119; D32/42, 52, D32/45, 53; 15/209.1, 244.1

See application file for complete search history.

(56) **References Cited**

**U.S. PATENT DOCUMENTS**

718,969	A	*	1/1903	Altshul	.....	401/176
2,622,258	A	*	12/1952	Giraud	.....	401/194
2,924,837	A	*	2/1960	Lehre	.....	401/207
D188,397	S	*	7/1960	Hulsh	.....	D4/114
2,974,350	A	*	3/1961	Schwartzman	.....	401/206
3,010,140	A	*	11/1961	Thomas	.....	401/262
3,016,561	A	*	1/1962	Hulsh	.....	401/262
3,108,314	A	*	10/1963	House	.....	401/202
4,111,567	A	*	9/1978	Berghahn et al.	.....	401/202
4,131,966	A	*	1/1979	Gross	.....	15/28
D254,222	S	*	2/1980	MacGregor	.....	D24/214
4,752,015	A	*	6/1988	Schumacher	.....	215/228
D301,398	S	*	6/1989	Cheung	.....	D4/102
D314,280	S	*	2/1991	Buecheler et al.	.....	D4/114
5,122,158	A	*	6/1992	Kuroda et al.	.....	8/137
5,230,579	A	*	7/1993	Klawson et al.	.....	401/205
D337,939	S	*	8/1993	Smith, Jr.	.....	D9/726

D346,959	S	*	5/1994	Adams	.....	D9/725
D401,144	S	*	11/1998	Ohara	.....	D9/725
6,123,477	A	*	9/2000	Hecker	.....	401/186
6,183,154	B1	*	2/2001	Coe	.....	401/196
6,315,478	B1	*	11/2001	Atkins	.....	401/37
D471,667	S	*	3/2003	Angeletta	.....	D28/7
6,547,880	B1	*	4/2003	Krueger et al.	.....	118/264
6,551,000	B1	*	4/2003	Kandasamy et al.	.....	401/183
6,755,585	B1	*	6/2004	Gueret	.....	401/125

\* cited by examiner

*Primary Examiner*—Lucy Lieberman

(74) *Attorney, Agent, or Firm*—Scully, Scott, Murphy & Presser, P.C.

(57) **CLAIM**

The ornamental design for replaceable component for a liquid and lotion applicator, as shown and described.

**DESCRIPTION**

FIG. 1 illustrates a front and side perspective view of a first embodiment of the replaceable component for a liquid and lotion applicator showing my new and ornamental design; FIG. 2 illustrates a side view thereof; FIG. 3 illustrates a top plan view thereof; FIG. 4 illustrates a bottom plan view thereof; FIG. 5 illustrates a further perspective view thereof; FIG. 6 illustrates a transverse exploded view showing partly in section the proposed attachment to a liquid and lotion applicator container; FIG. 7 illustrates a front and side perspective view of a further embodiment thereof; FIG. 8 illustrates a side view thereof; FIG. 9 illustrates a top plan view thereof; FIG. 10 illustrates a bottom plan view thereof; FIG. 11 illustrates a further perspective view thereof; FIG. 12 illustrates a transverse exploded view showing partly in section the proposed attachment to a liquid and lotion applicator container; FIG. 13 illustrates a front and side perspective view of a further embodiment thereof; FIG. 14 illustrates a side view thereof; FIG. 15 illustrates a top plan view thereof; FIG. 16 illustrates a bottom plan view thereof;

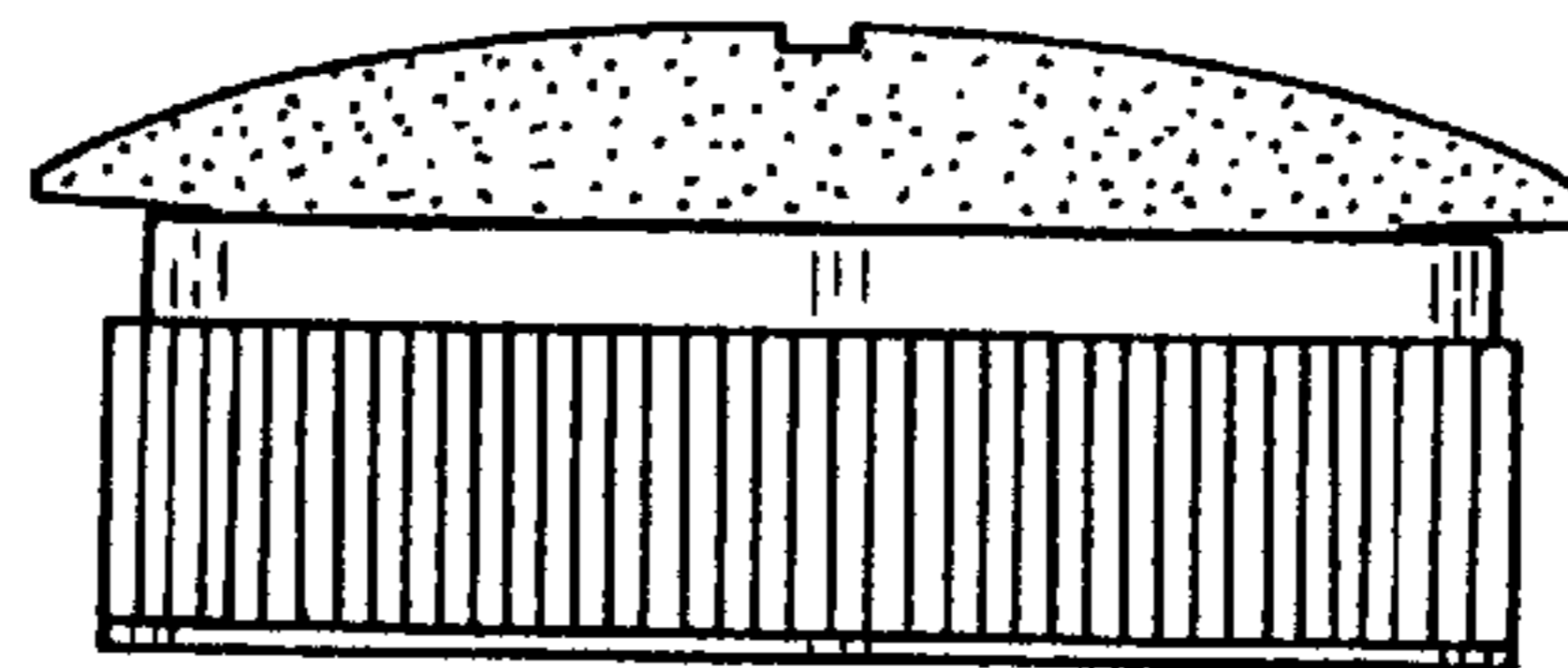
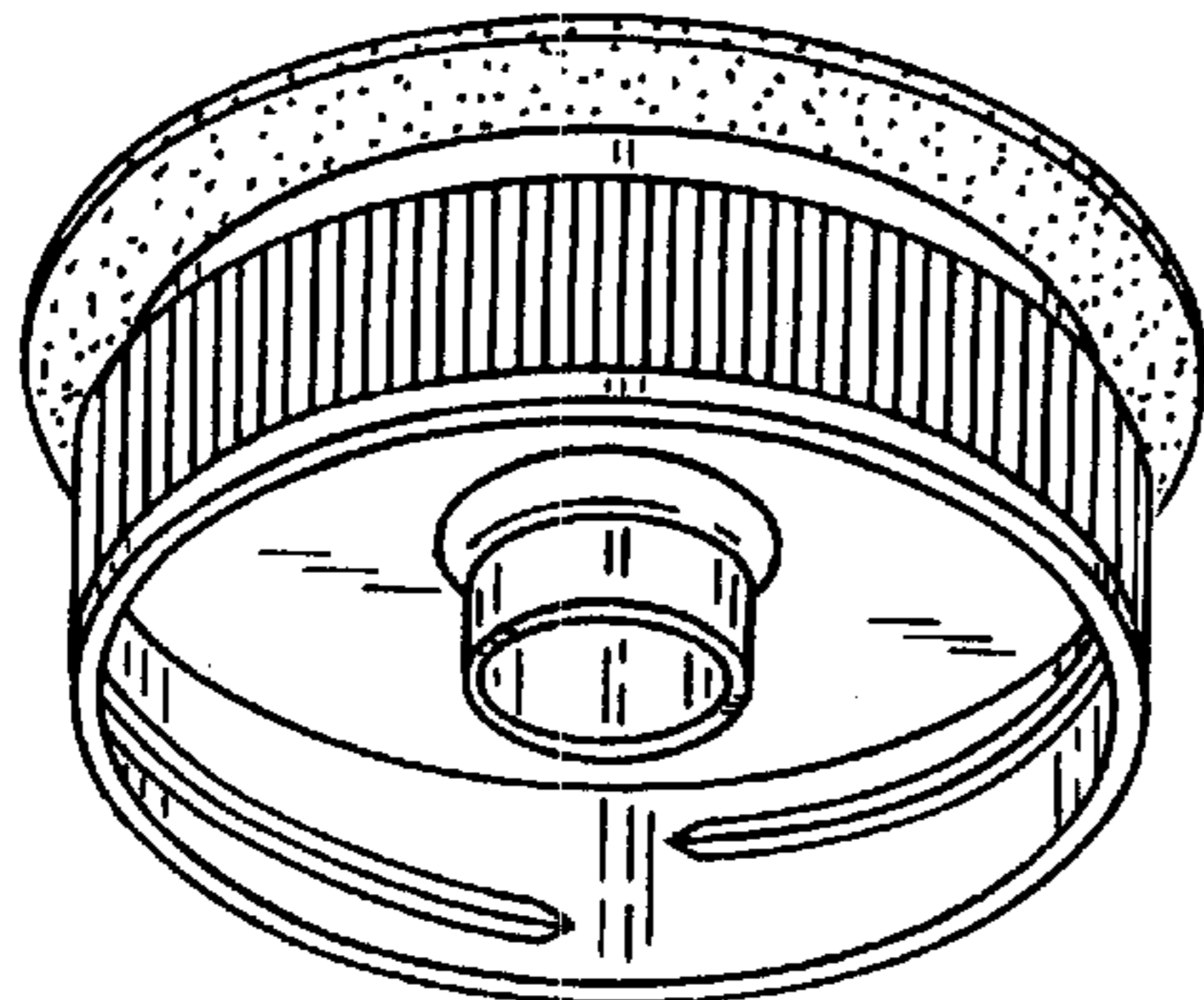


FIG. 17 illustrates a further perspective view thereof;  
FIG. 18 illustrates a transverse exploded view showing partly in section the proposed attachment to a liquid and lotion applicator container;  
FIG. 19 illustrates a front and side perspective view of a further embodiment thereof;  
FIG. 20 illustrates a side view thereof;  
FIG. 21 illustrates a top plan view thereof;  
FIG. 22 illustrates a bottom plan view thereof;  
FIG. 23 illustrates a further perspective view thereof;  
FIG. 24 illustrates a transverse exploded view showing partly in section the proposed attachment to a liquid and lotion applicator container;  
FIG. 25 illustrates a front and side perspective view of a further embodiment thereof;  
FIG. 26 illustrates a side view thereof;  
FIG. 27 illustrates a top plan view thereof;  
FIG. 28 illustrates a bottom plan view thereof;  
FIG. 29 illustrates a further perspective view thereof;  
FIG. 30 illustrates a transverse exploded view showing partly in section the proposed attachment to a liquid and lotion applicator container;  
FIG. 31 illustrates a front and side perspective view of a further embodiment thereof;  
FIG. 32 illustrates a side view thereof;  
FIG. 33 illustrates a top plan view thereof;  
FIG. 34 illustrates a bottom plan view thereof;  
FIG. 35 illustrates a further perspective view thereof;  
FIG. 36 illustrates a transverse exploded view showing partly in section the proposed attachment to a liquid and lotion applicator container;  
FIG. 37 illustrates a front and side perspective view of a further embodiment thereof;  
FIG. 38 illustrates a side view thereof;  
FIG. 39 illustrates a top plan view thereof;  
FIG. 40 illustrates a bottom plan view thereof;  
FIG. 41 illustrates a further perspective view thereof;  
FIG. 42 illustrates a transverse exploded view showing partly in section the proposed attachment to a liquid and lotion applicator container;  
FIG. 43 illustrates a front and side perspective view of a further embodiment thereof;  
FIG. 44 illustrates a side view thereof;  
FIG. 45 illustrates a top plan view thereof;  
FIG. 46 illustrates a bottom plan view thereof;  
FIG. 47 illustrates a further perspective view thereof;

FIG. 48 illustrates a transverse exploded view showing partly in section the proposed attachment to a liquid and lotion applicator container;  
FIG. 49 illustrates a front and side perspective view of a further embodiment thereof;  
FIG. 50 illustrates a side view thereof;  
FIG. 51 illustrates a top plan view thereof;  
FIG. 52 illustrates a bottom plan view thereof;  
FIG. 53 illustrates a further perspective view thereof;  
FIG. 54 illustrates a transverse exploded view showing partly in section the proposed attachment to a liquid and lotion applicator container;  
FIG. 55 illustrates a front and side perspective view of a further embodiment thereof;  
FIG. 56 illustrates a side view thereof;  
FIG. 57 illustrates a top plan view thereof;  
FIG. 58 illustrates a bottom plan view thereof;  
FIG. 59 illustrates a further perspective view thereof;  
FIG. 60 illustrates a transverse exploded view showing partly in section the proposed attachment to a liquid and lotion applicator container;  
FIG. 61 illustrates a front and side perspective view of a further embodiment thereof;  
FIG. 62 illustrates a side view thereof;  
FIG. 63 illustrates a top plan view thereof;  
FIG. 64 illustrates a bottom plan view thereof;  
FIG. 65 illustrates a further perspective view thereof;  
FIG. 66 illustrates a transverse exploded view showing partly in section the proposed attachment to a liquid and lotion applicator container;  
FIG. 67 illustrates a front and side perspective view of a further embodiment thereof;  
FIG. 68 illustrates a side view thereof;  
FIG. 69 illustrates a top plan view thereof;  
FIG. 70 illustrates a bottom plan view thereof;  
FIG. 71 illustrates a further perspective view thereof; and,  
FIG. 72 illustrates a transverse exploded view showing partly in section the proposed attachment to a liquid and lotion applicator container.  
The broken lines showing a portion of a container in FIGS. 6, 12, 18, 24, 30, 36, 42, 48, 54, 60, 66 and 72 are for illustrative purposes only and form no part of the claimed design.

**1 Claim, 12 Drawing Sheets**



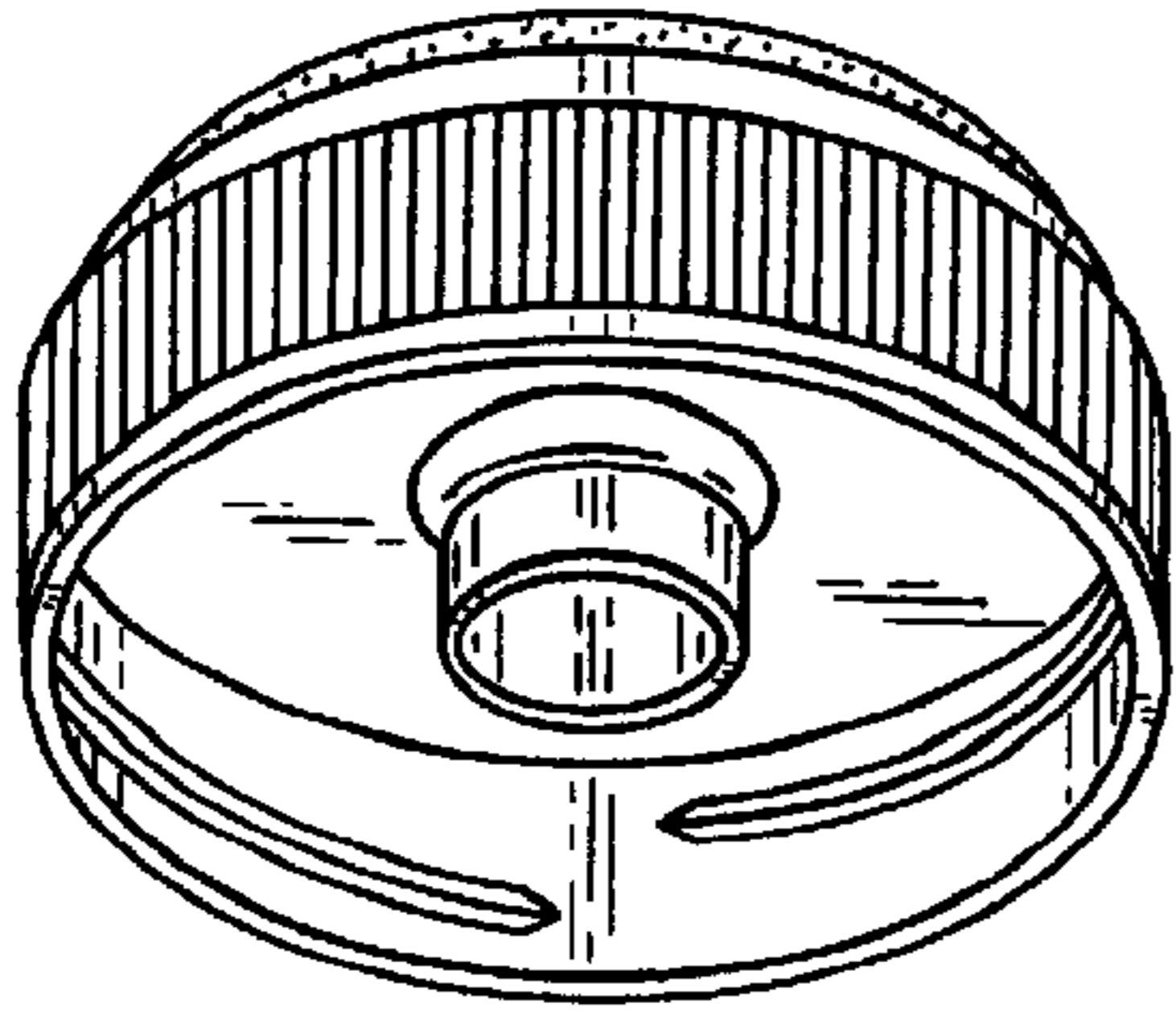


FIG. 1

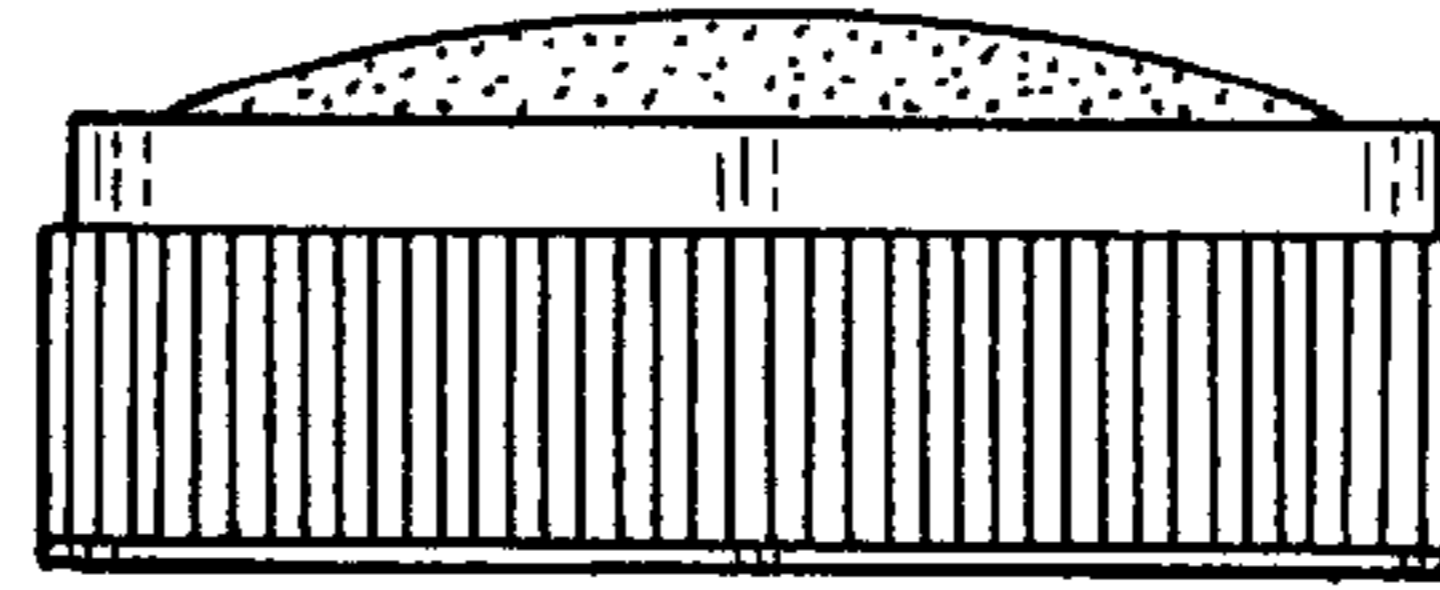


FIG. 2

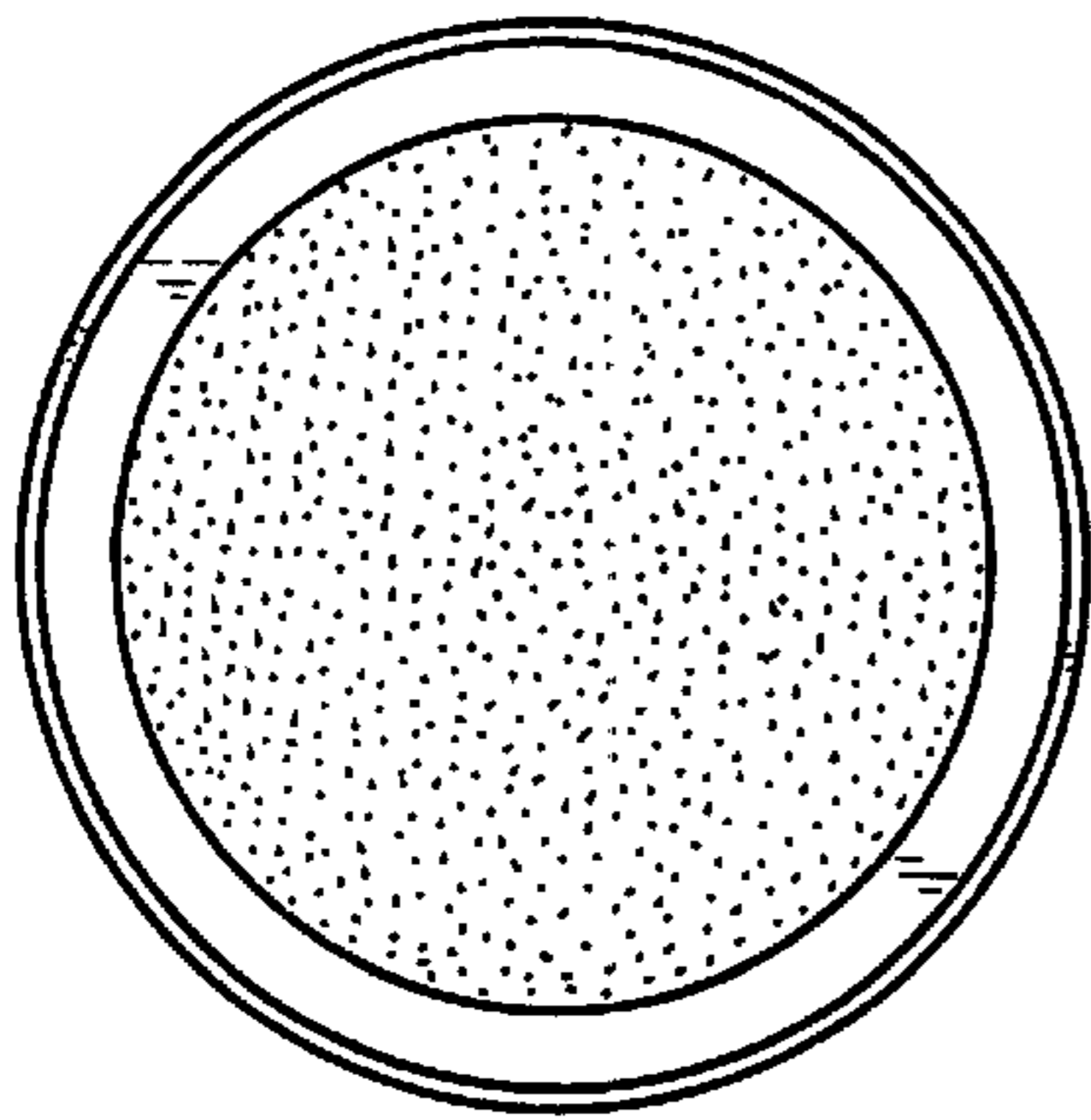


FIG. 3

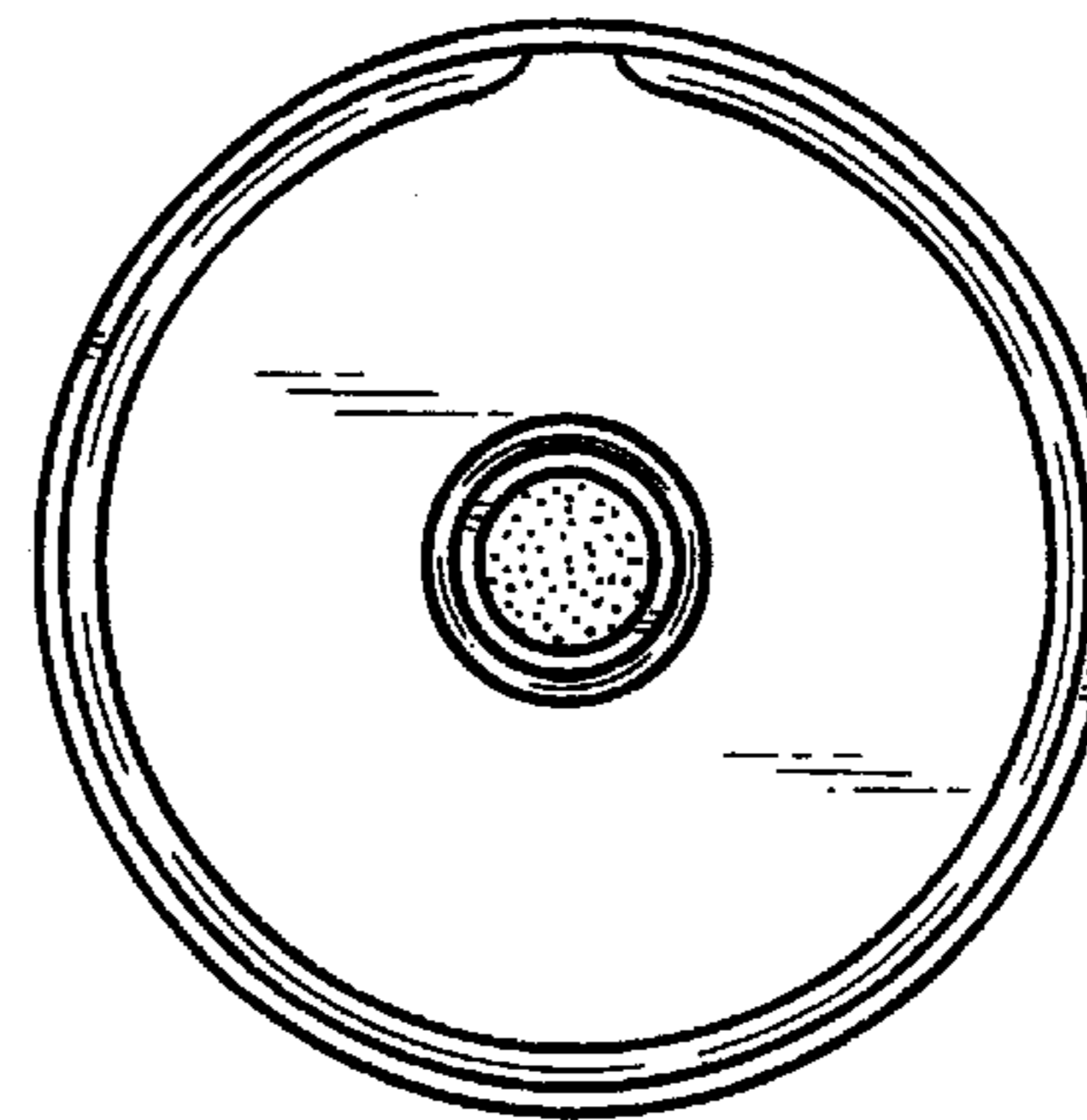


FIG. 4

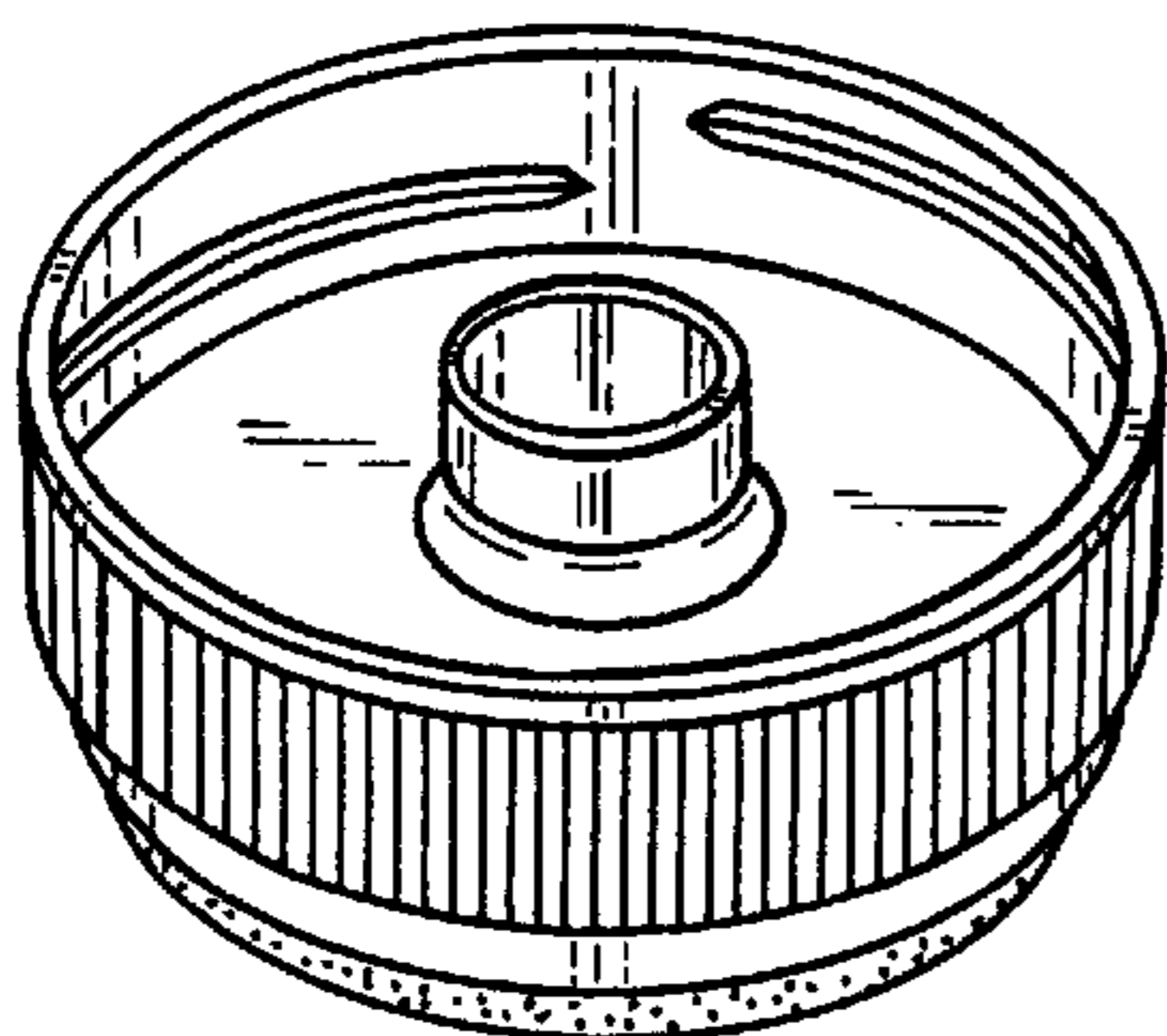


FIG. 5

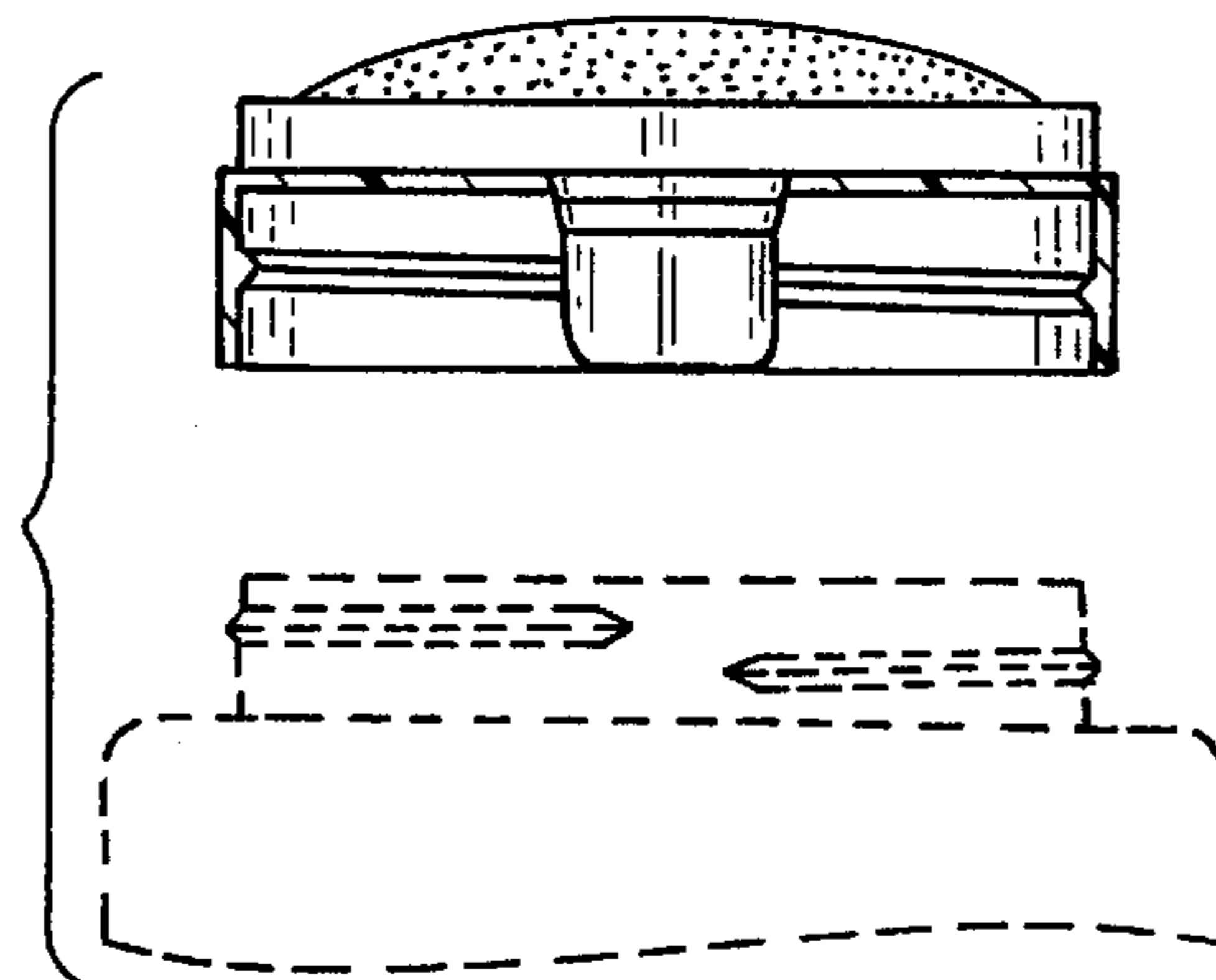


FIG. 6

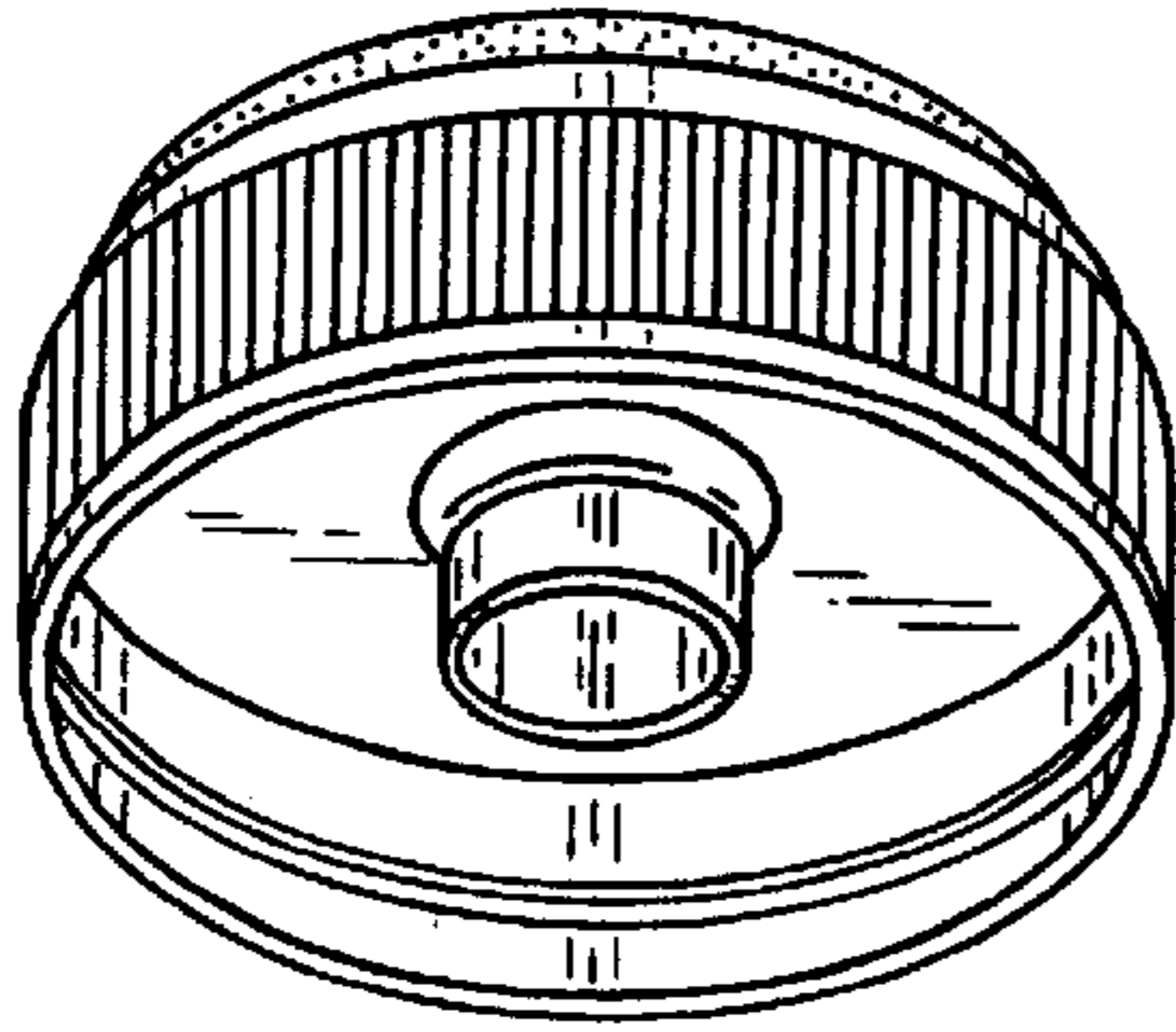


FIG. 7

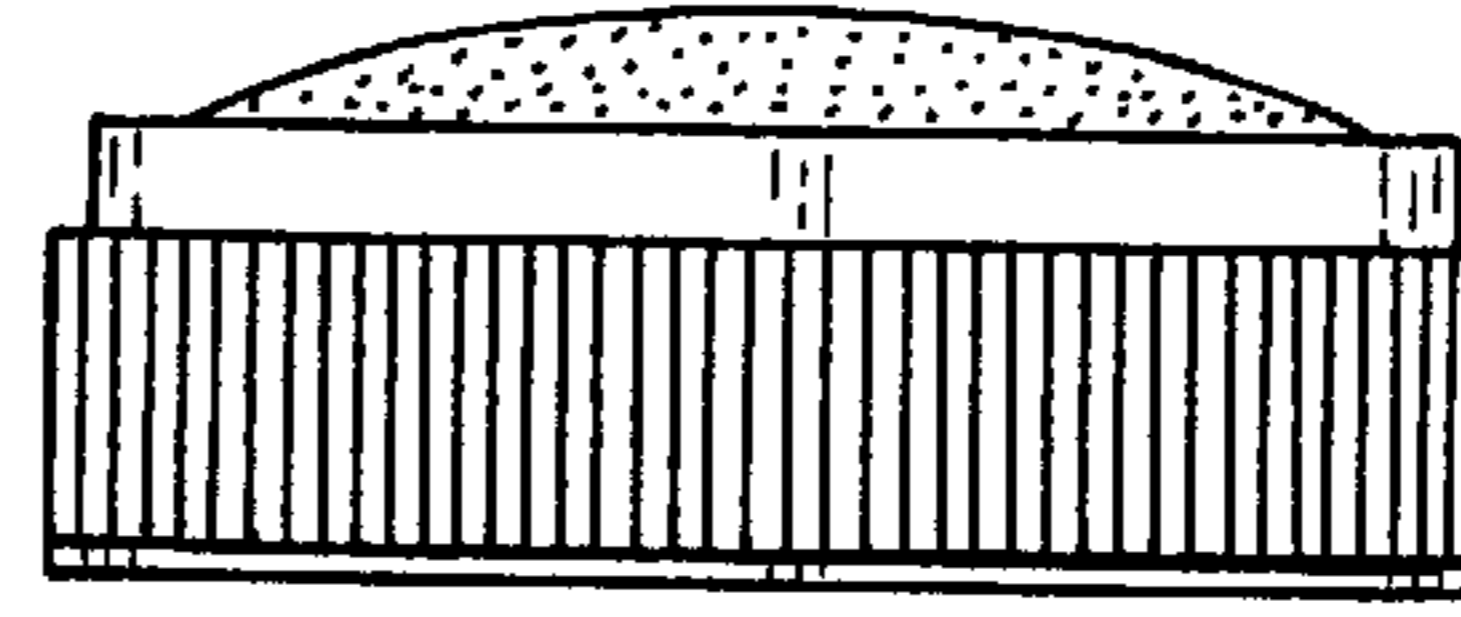


FIG. 8

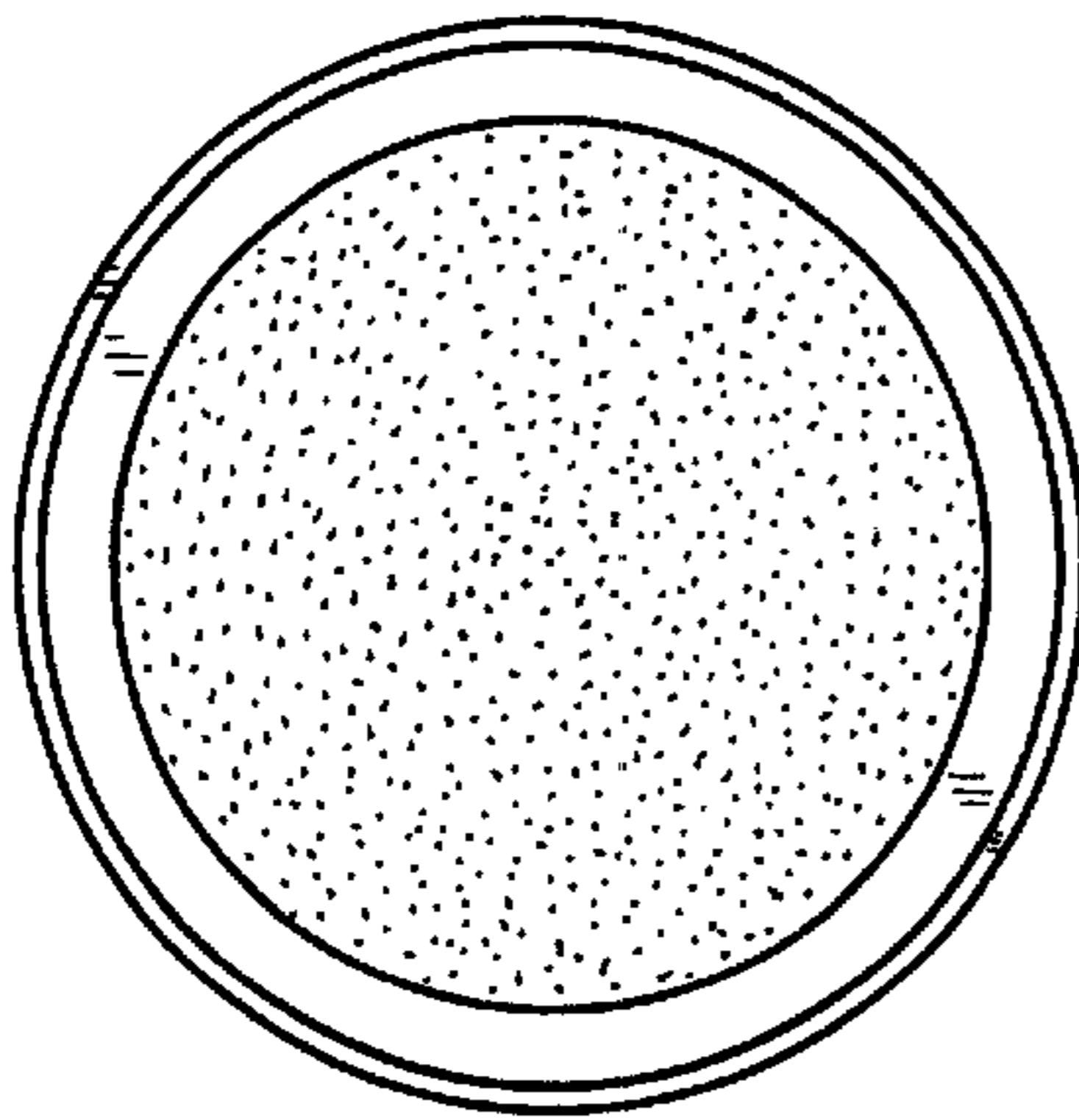


FIG. 9

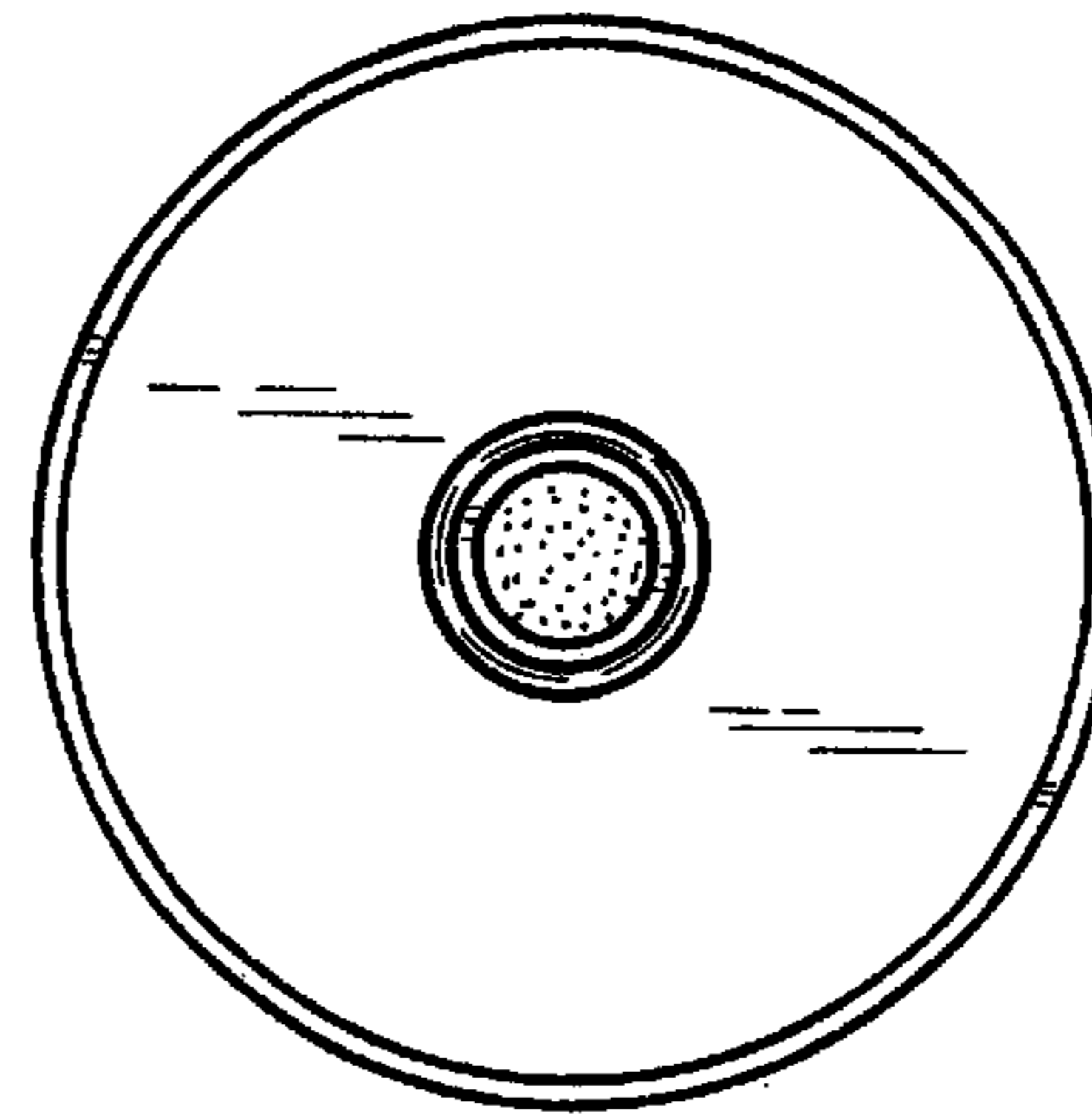


FIG. 10

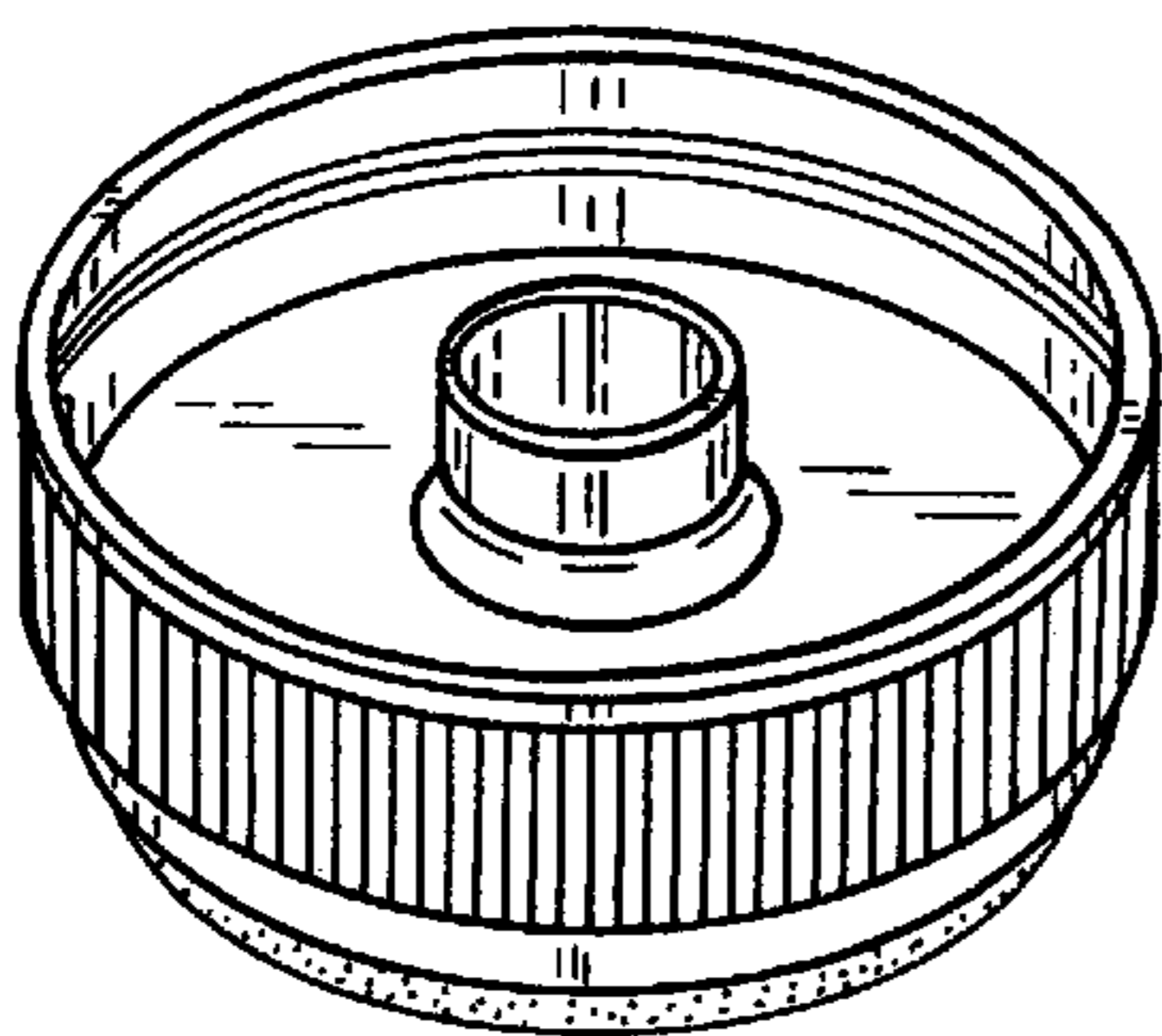


FIG. 11

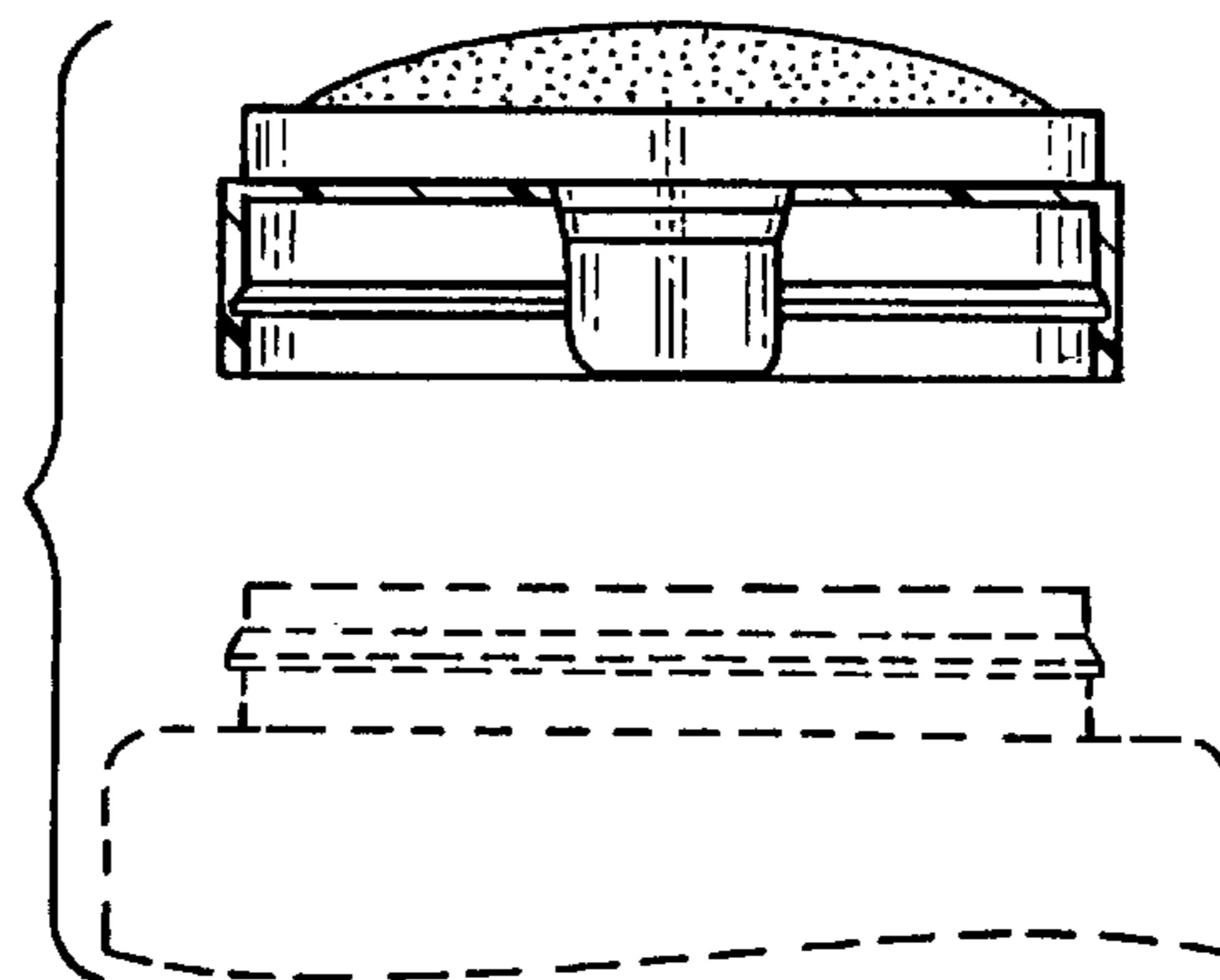


FIG. 12

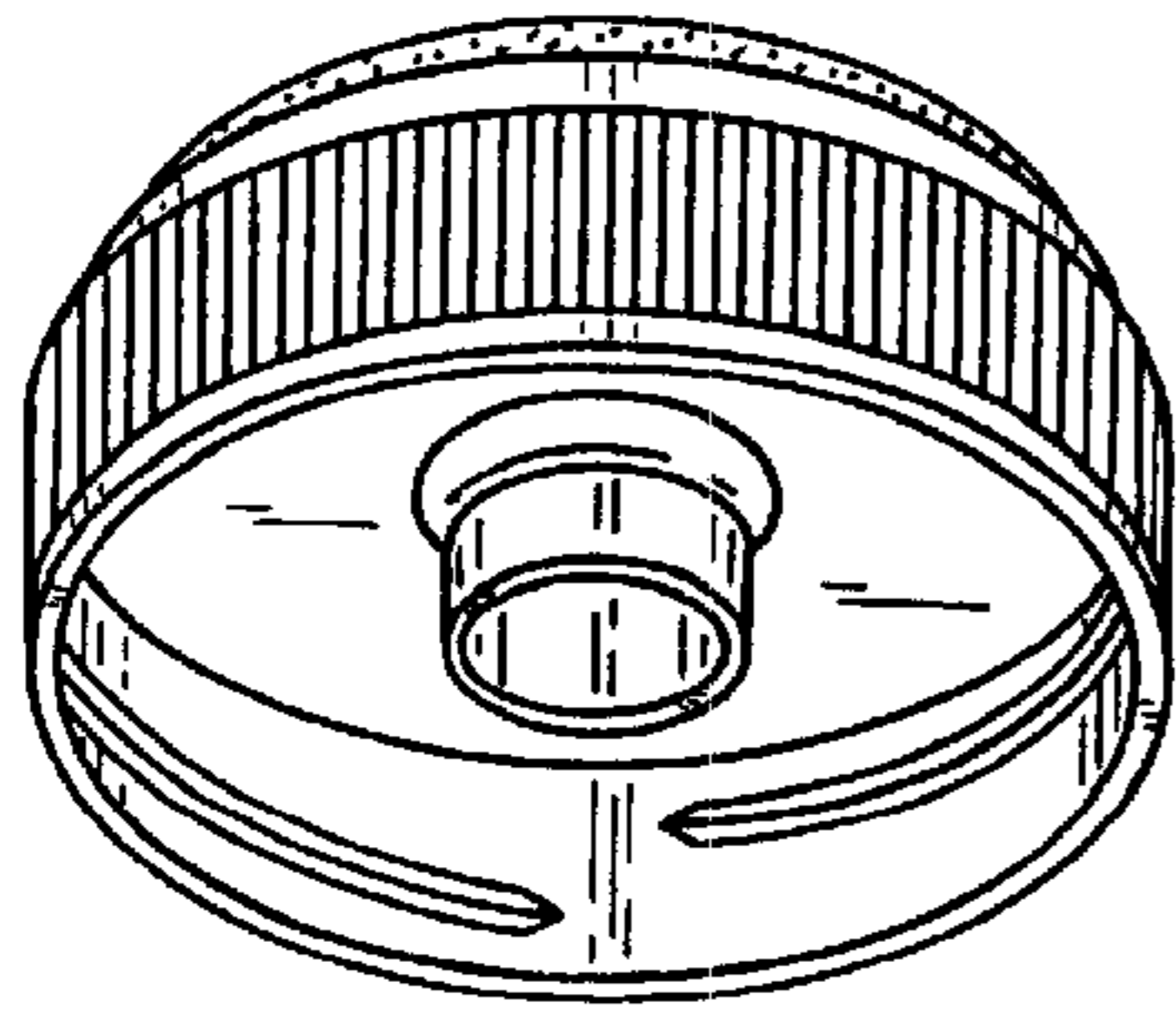


FIG. 13

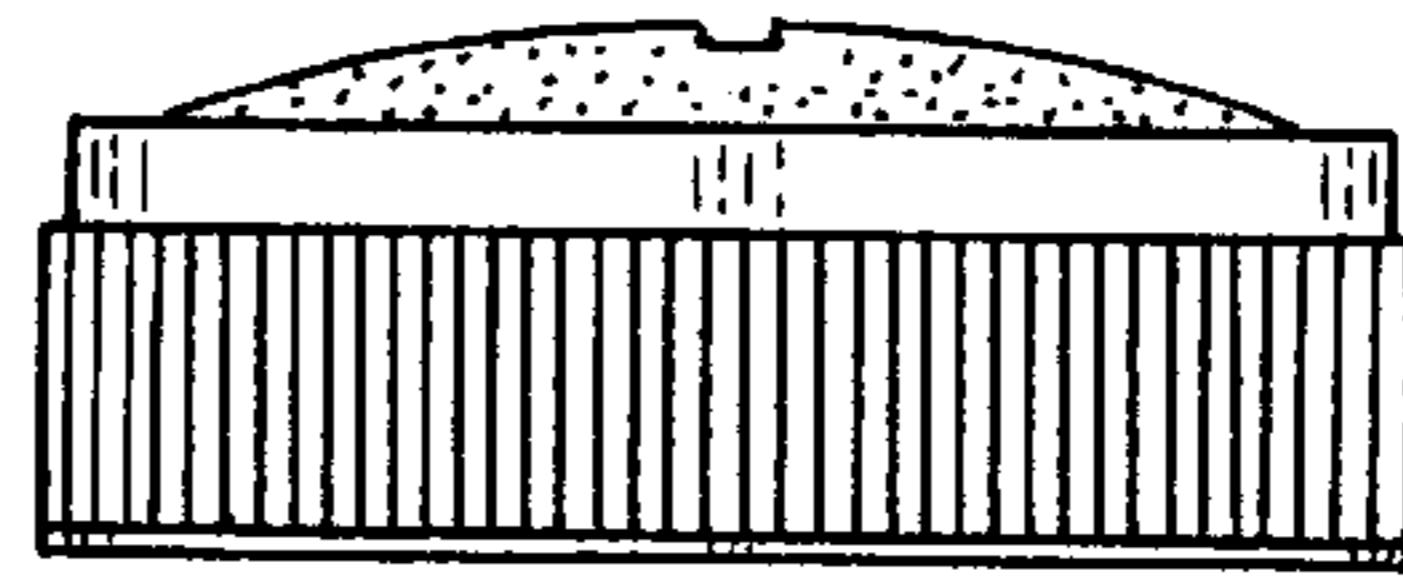


FIG. 14

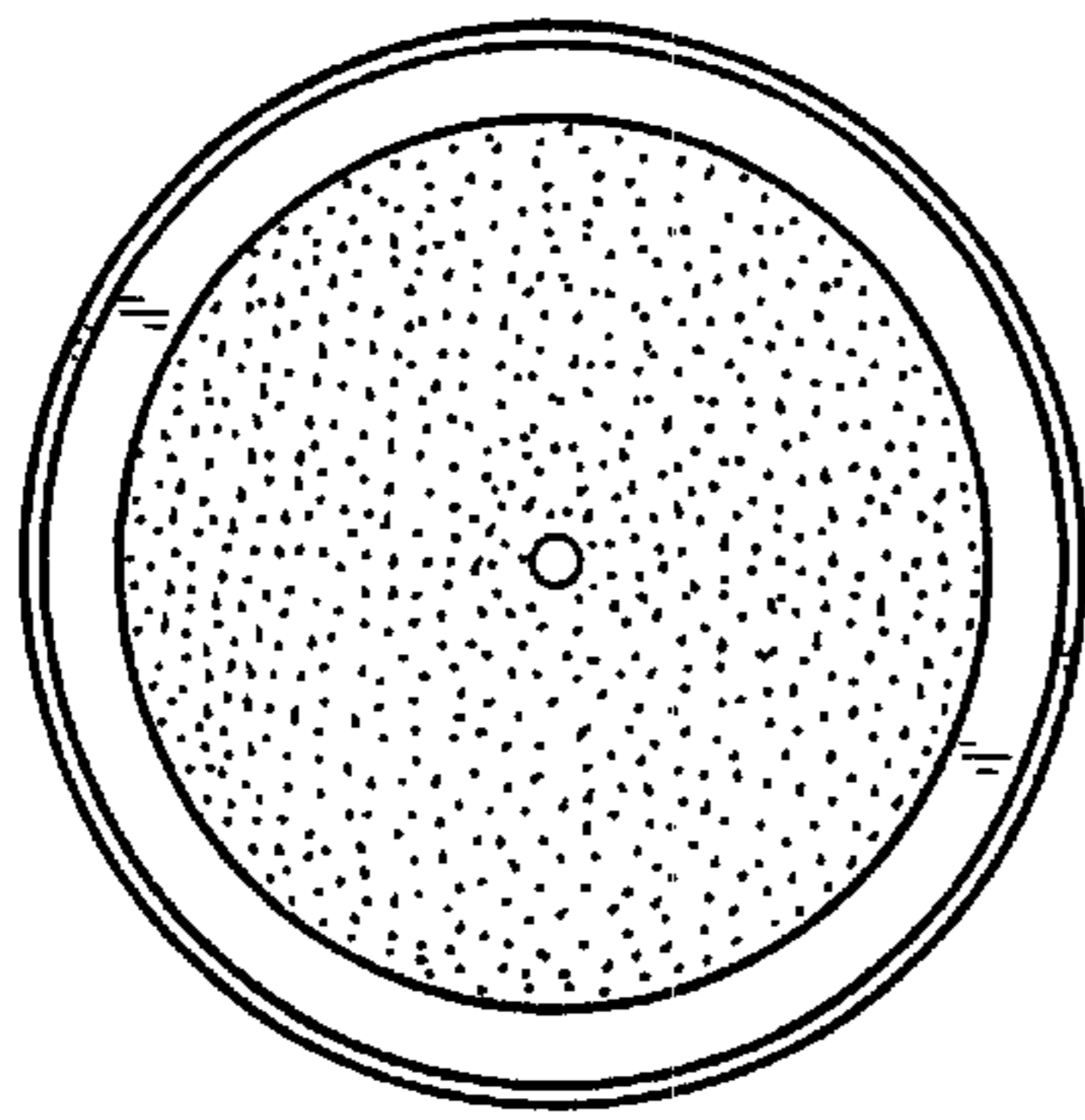


FIG. 15

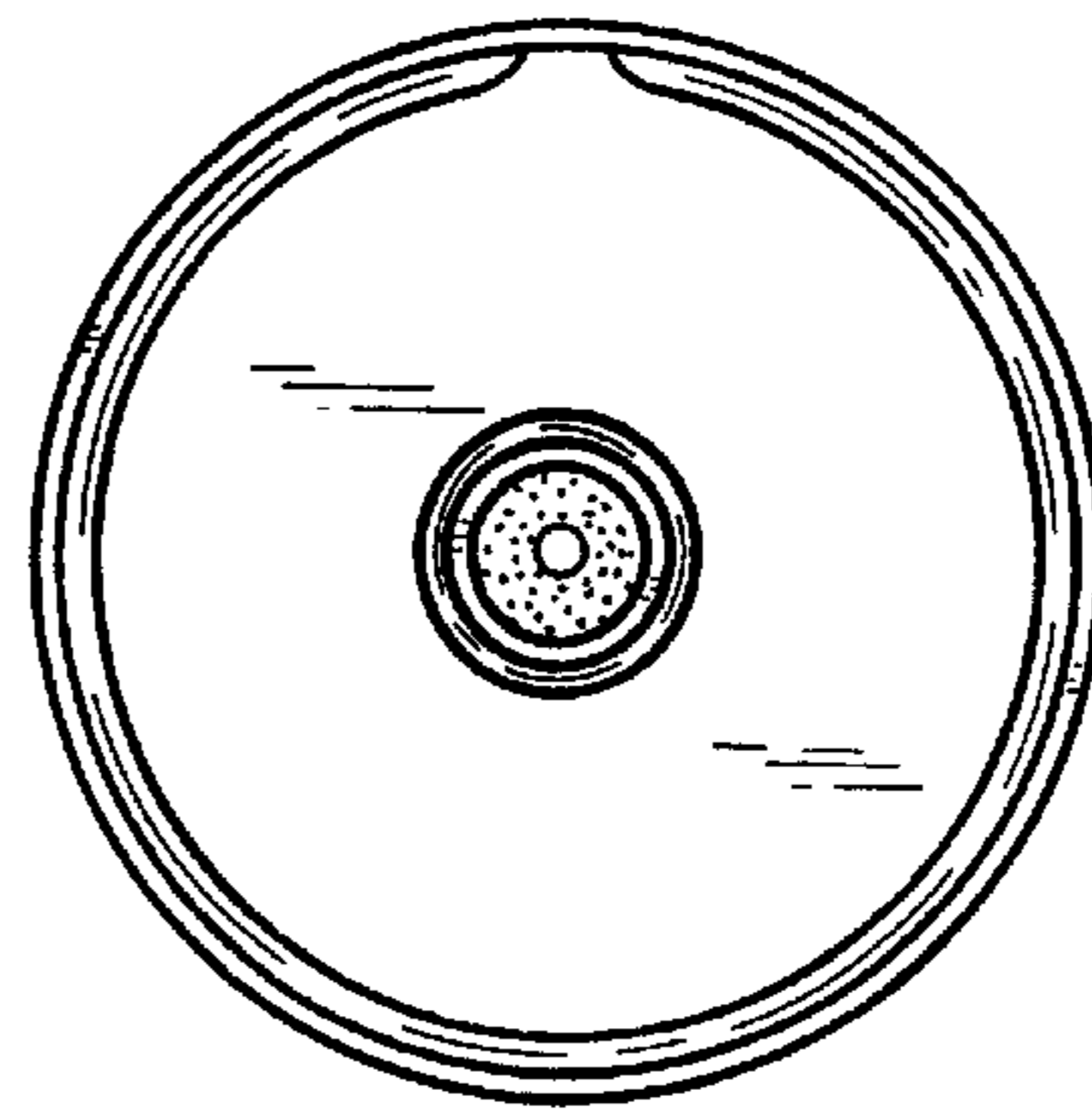


FIG. 16

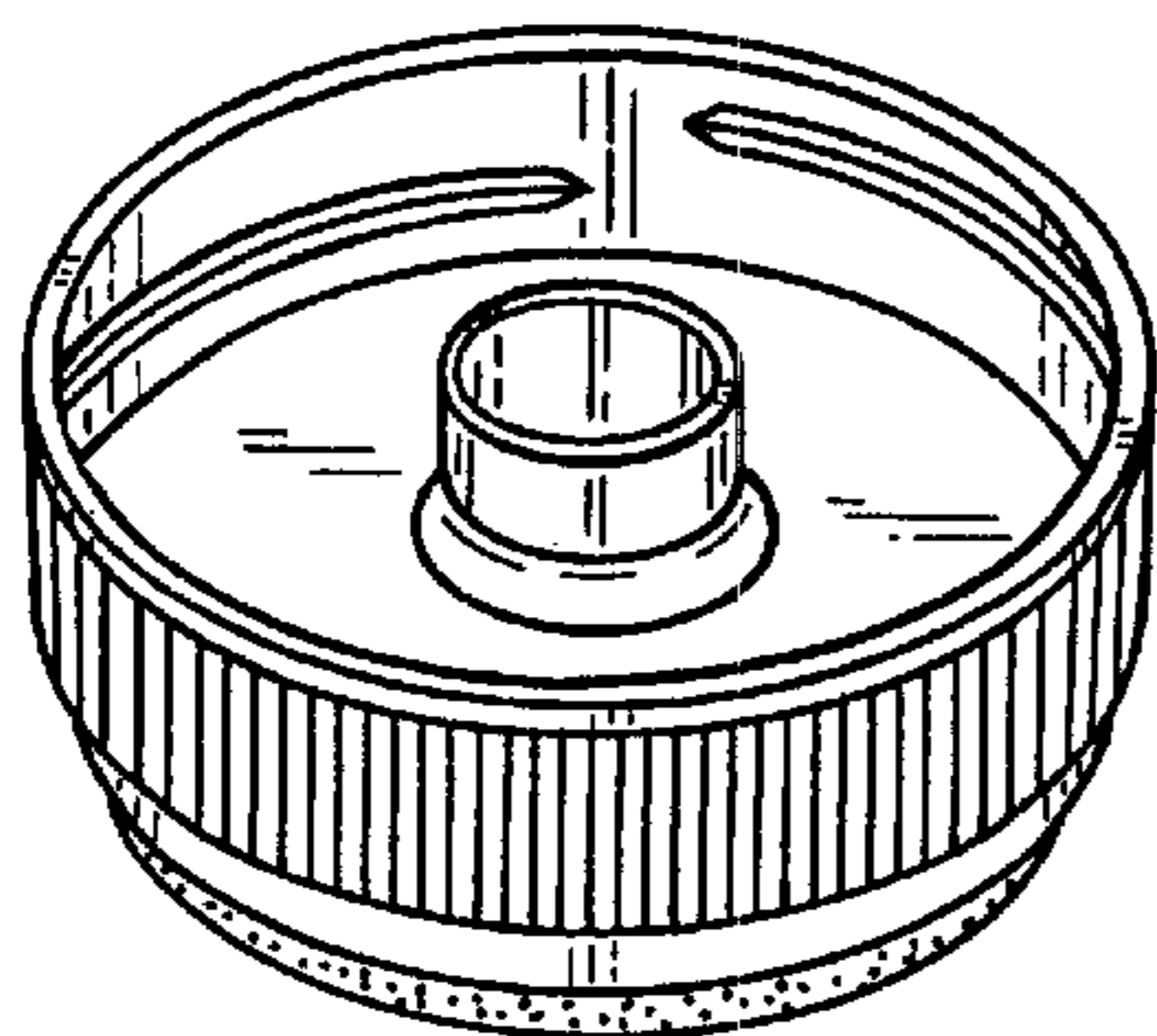


FIG. 17

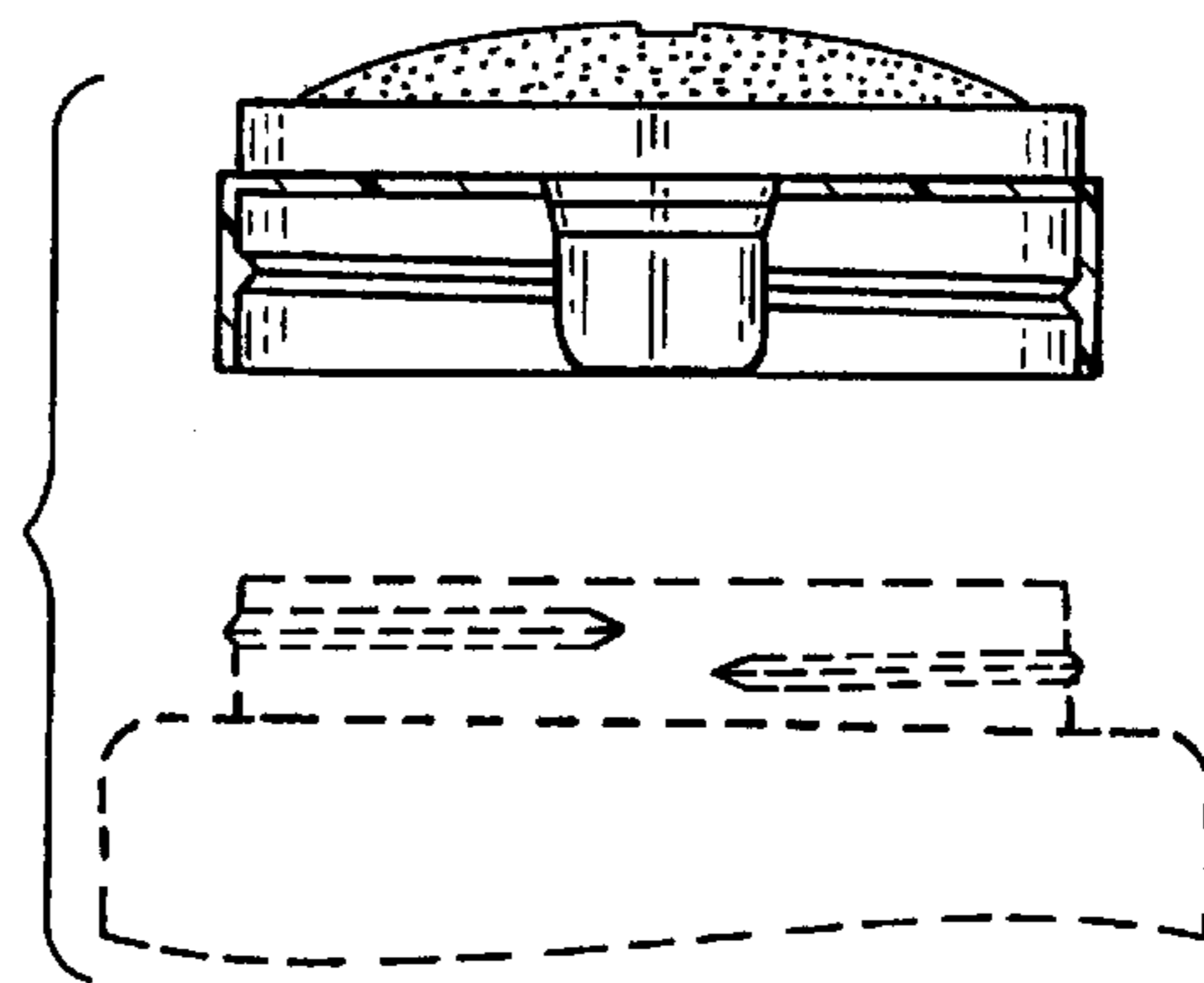


FIG. 18

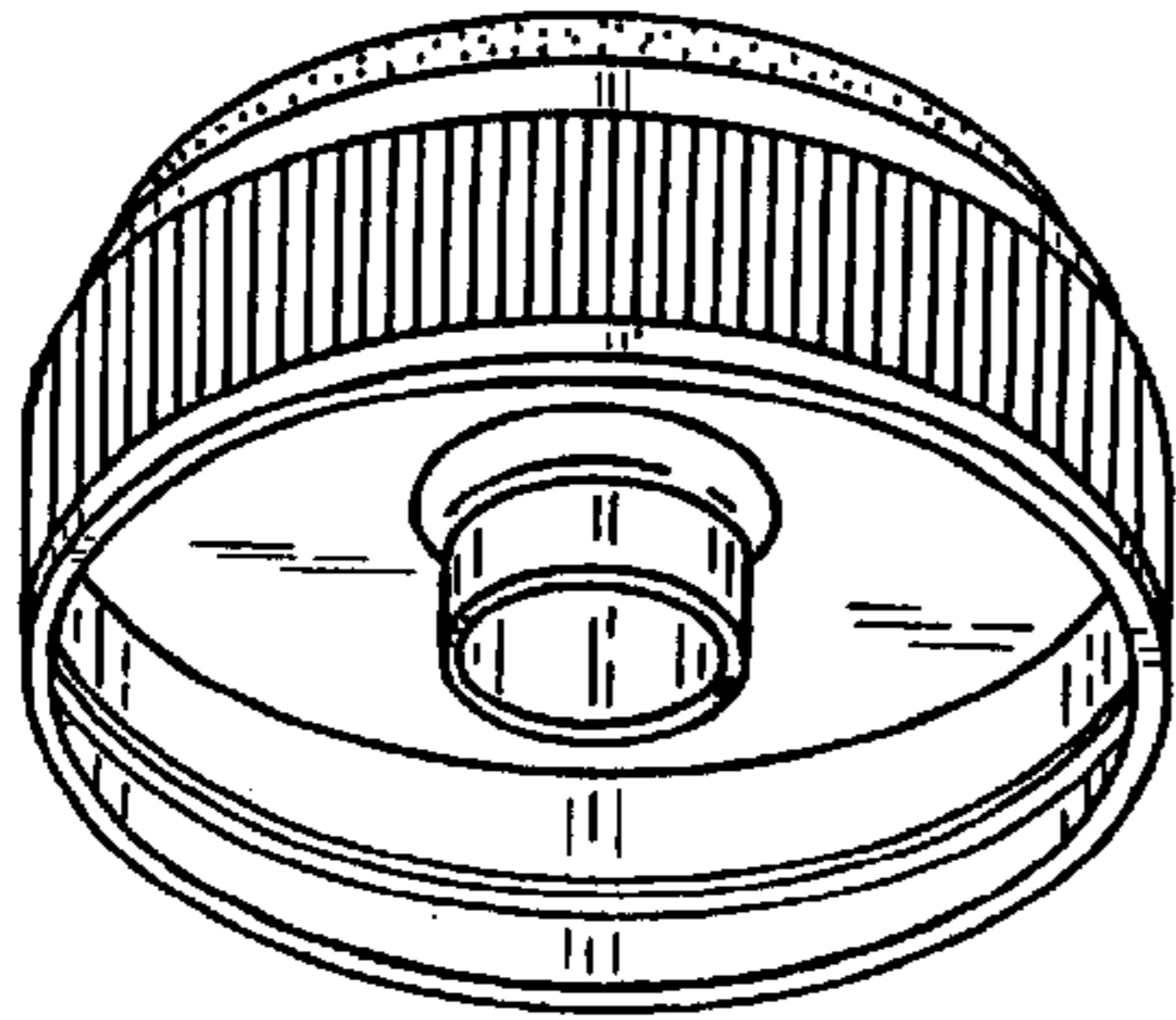


FIG. 19

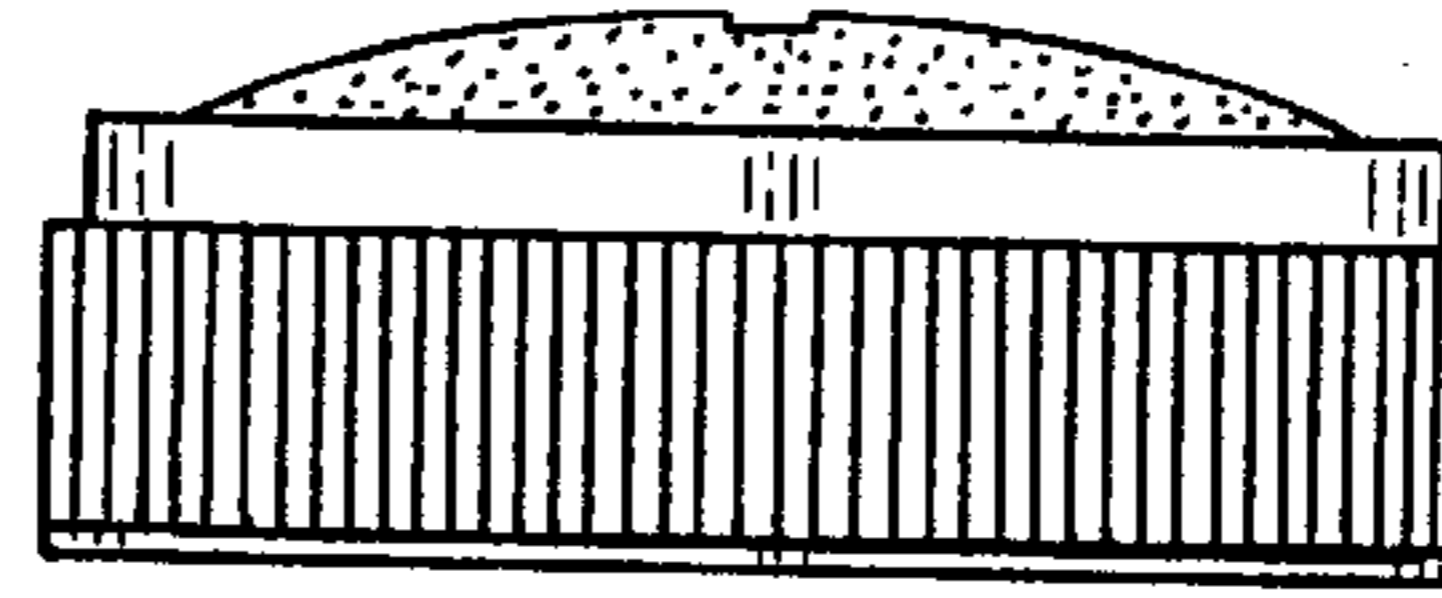


FIG. 20

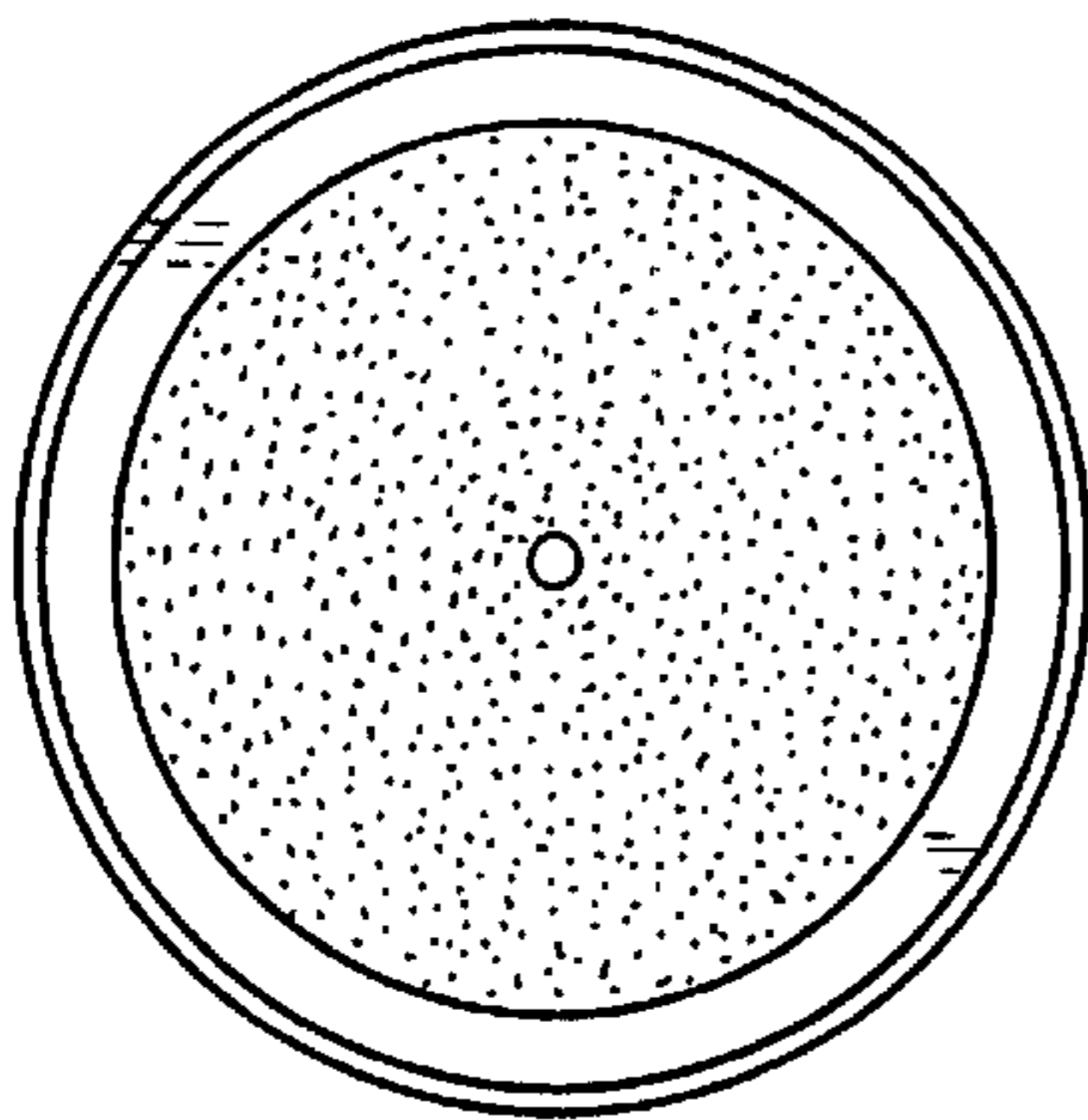


FIG. 21

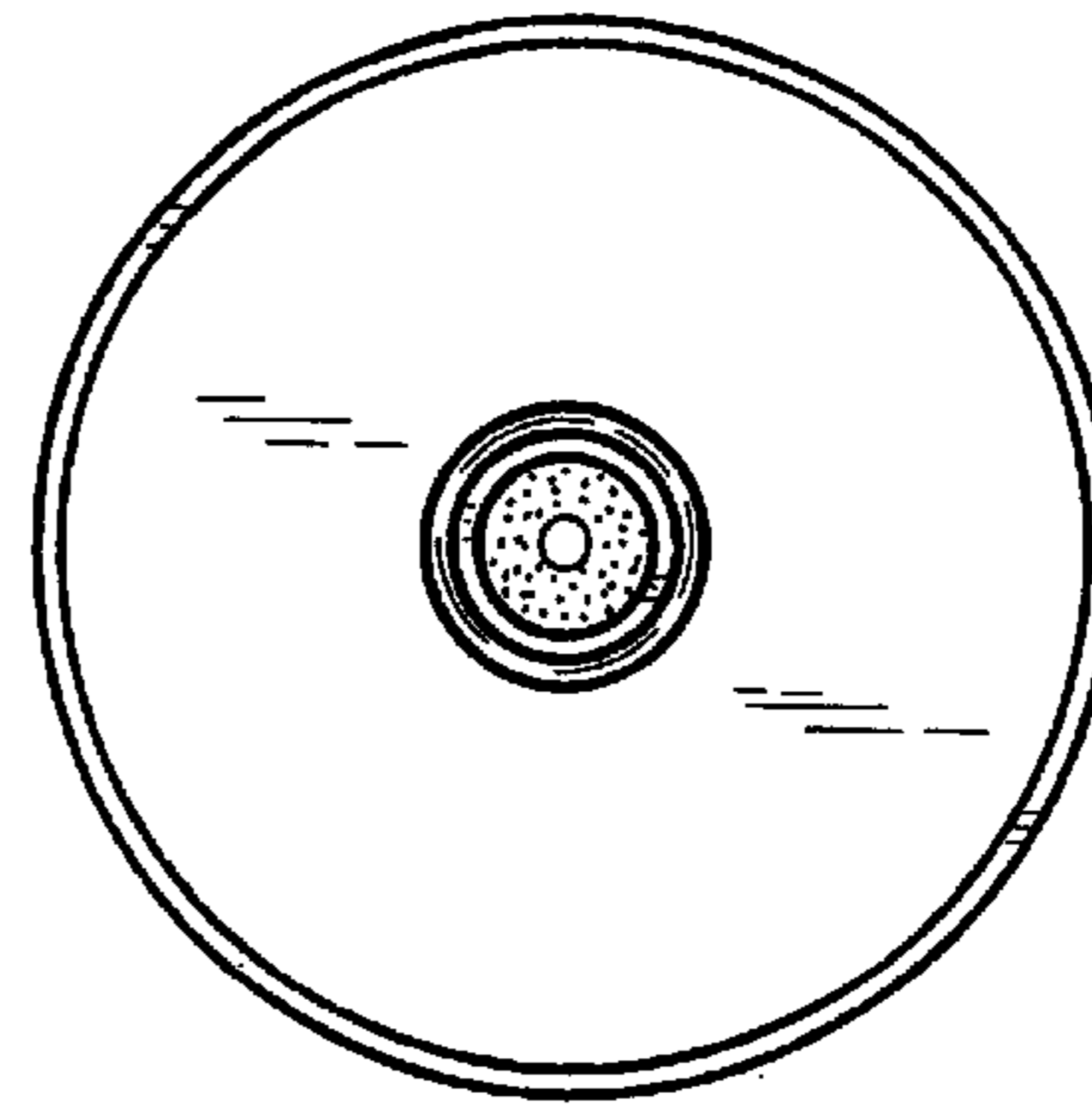


FIG. 22

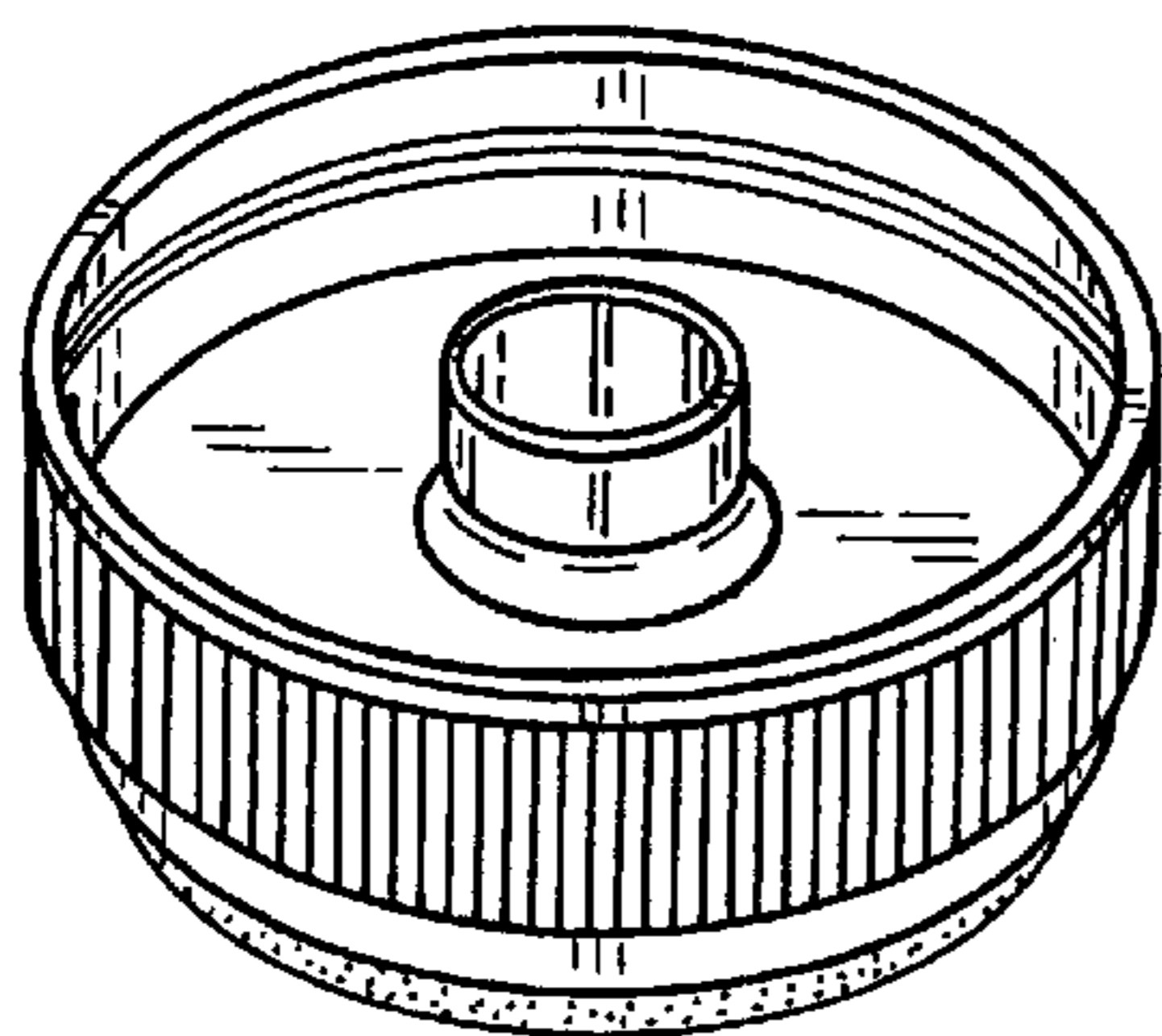


FIG. 23

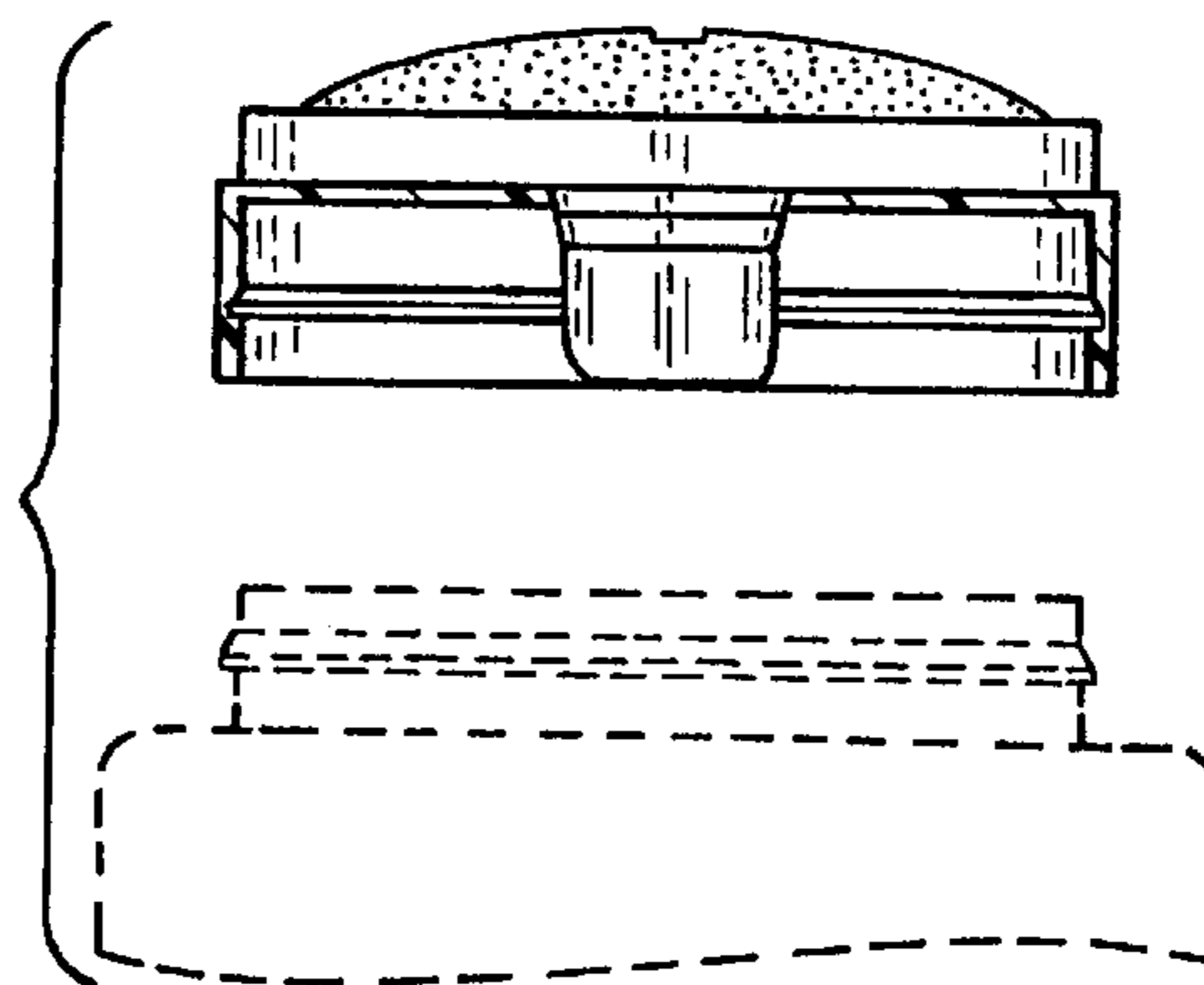


FIG. 24



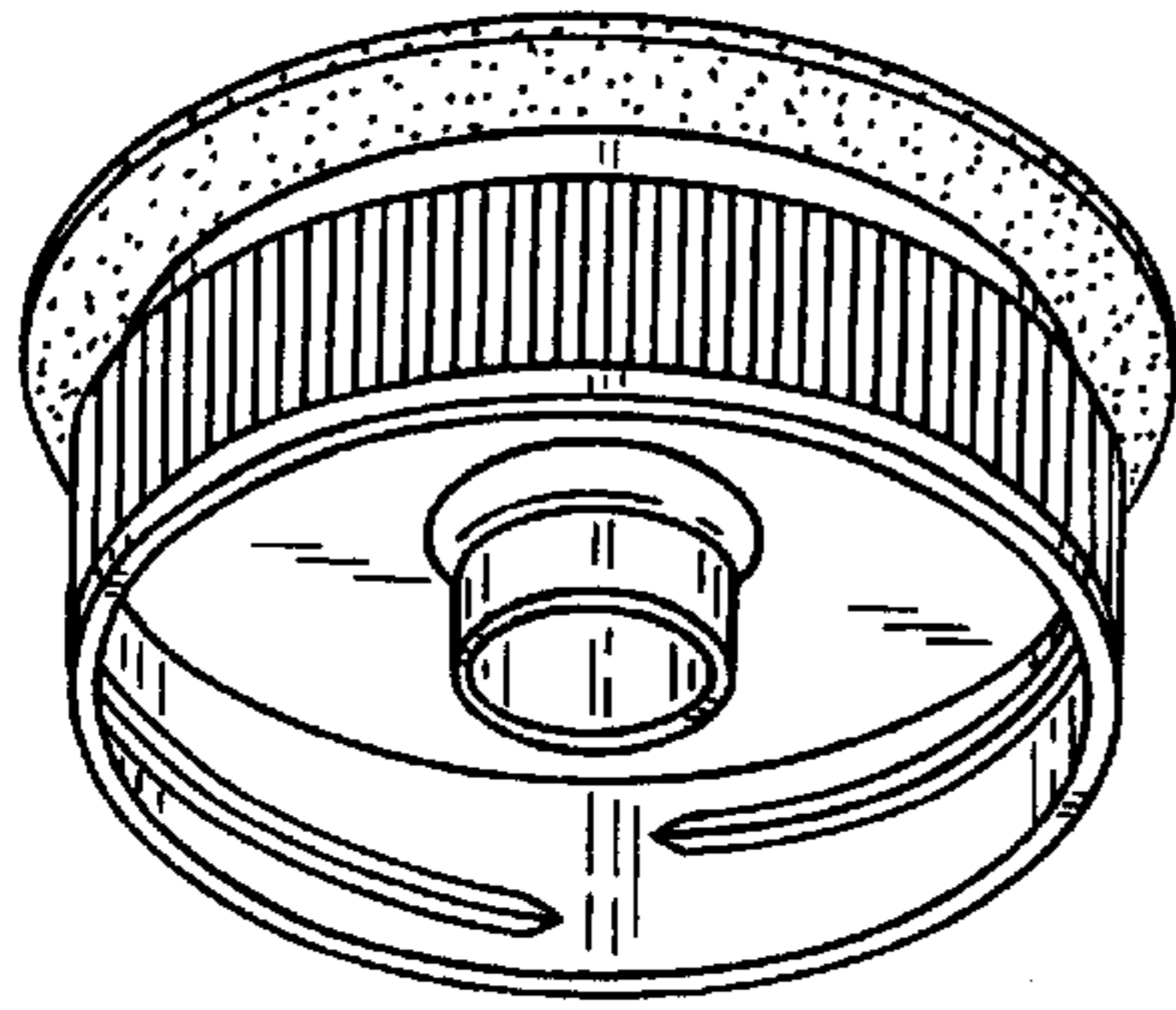


FIG. 25

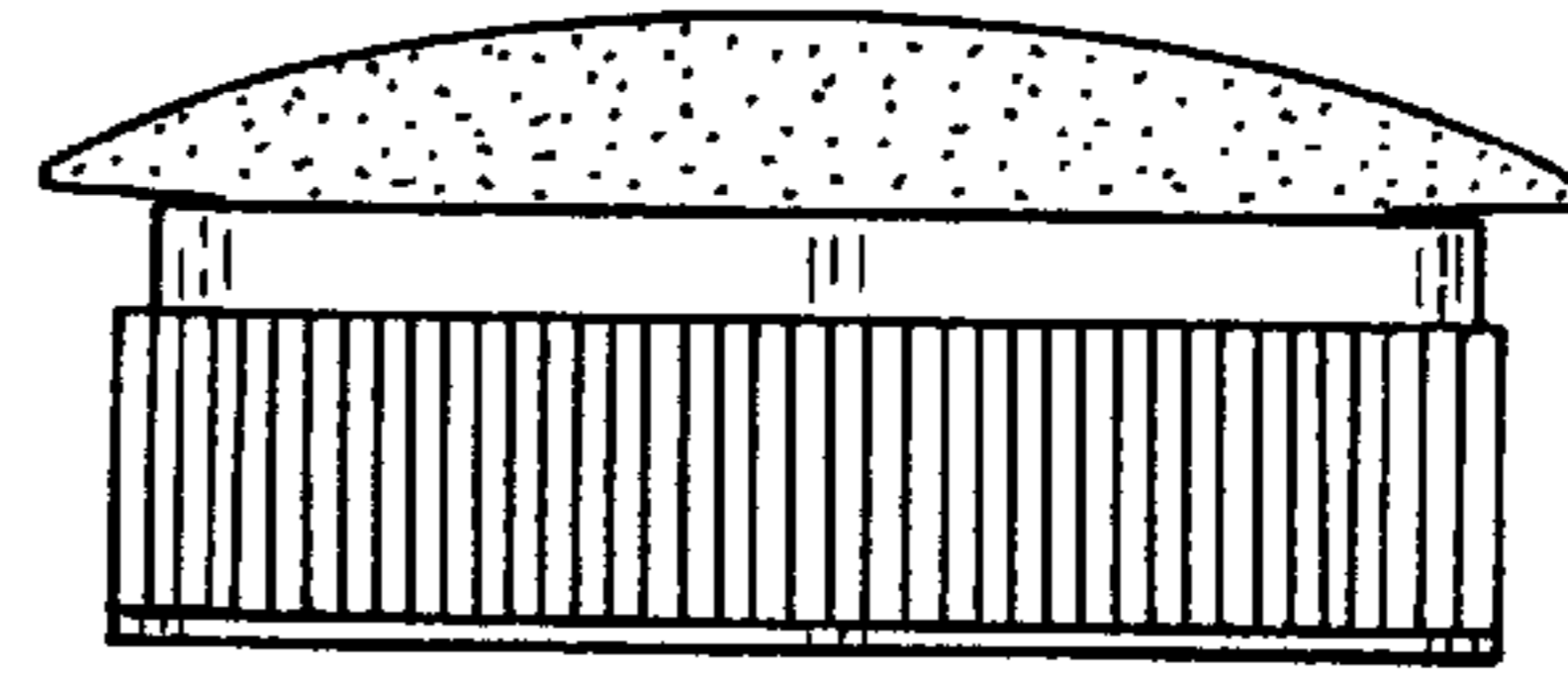


FIG. 26

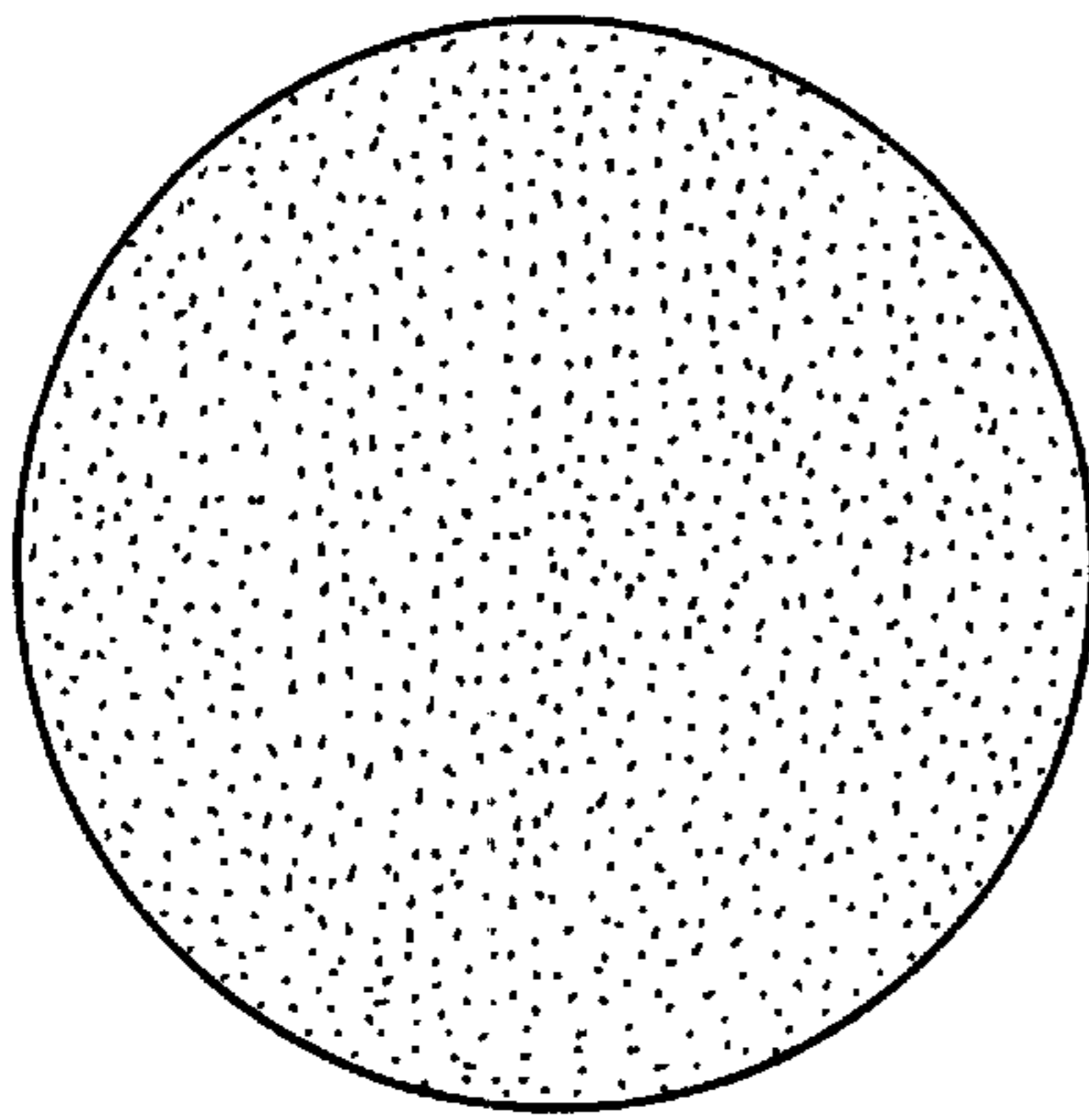


FIG. 27

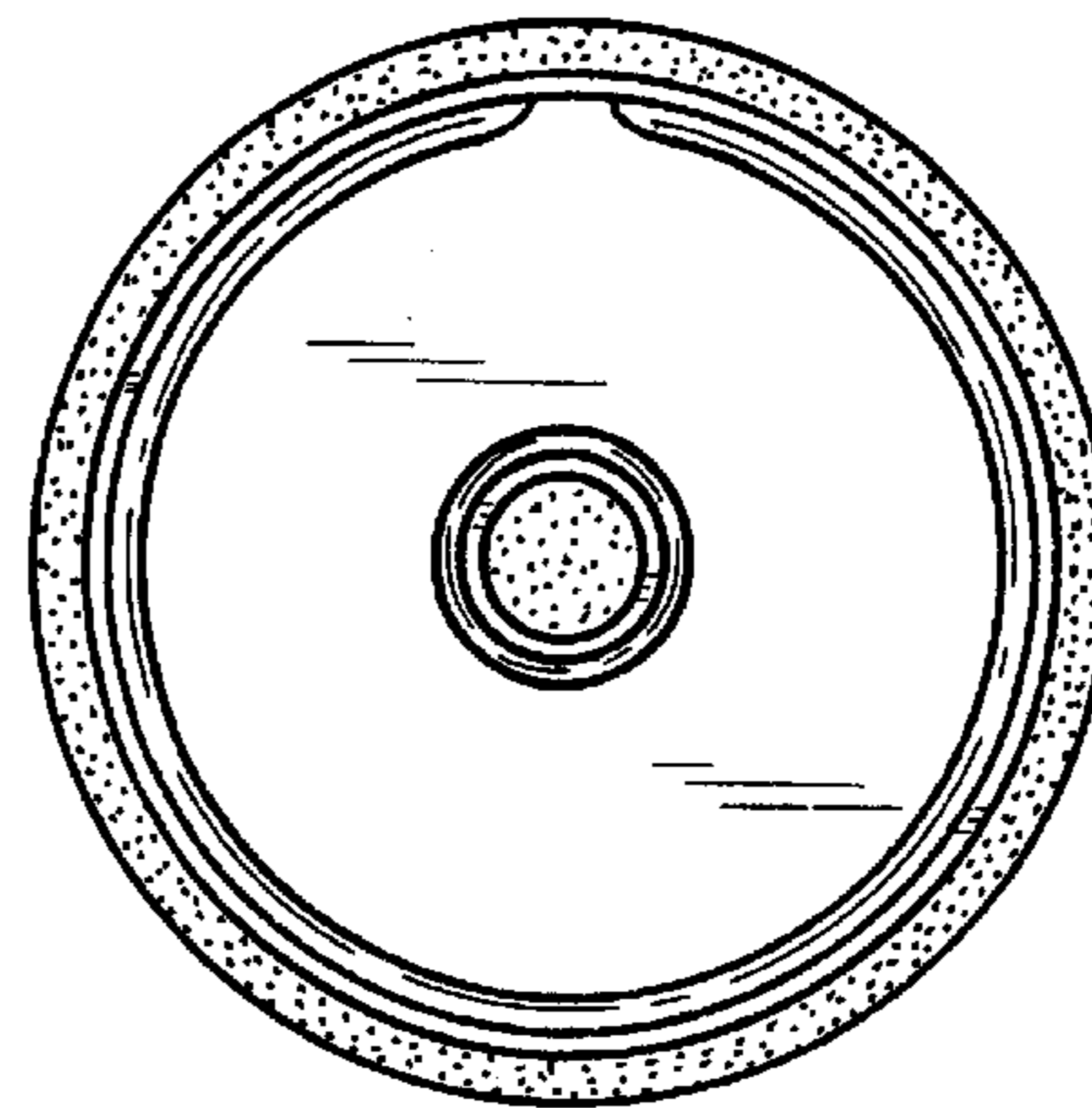


FIG. 28

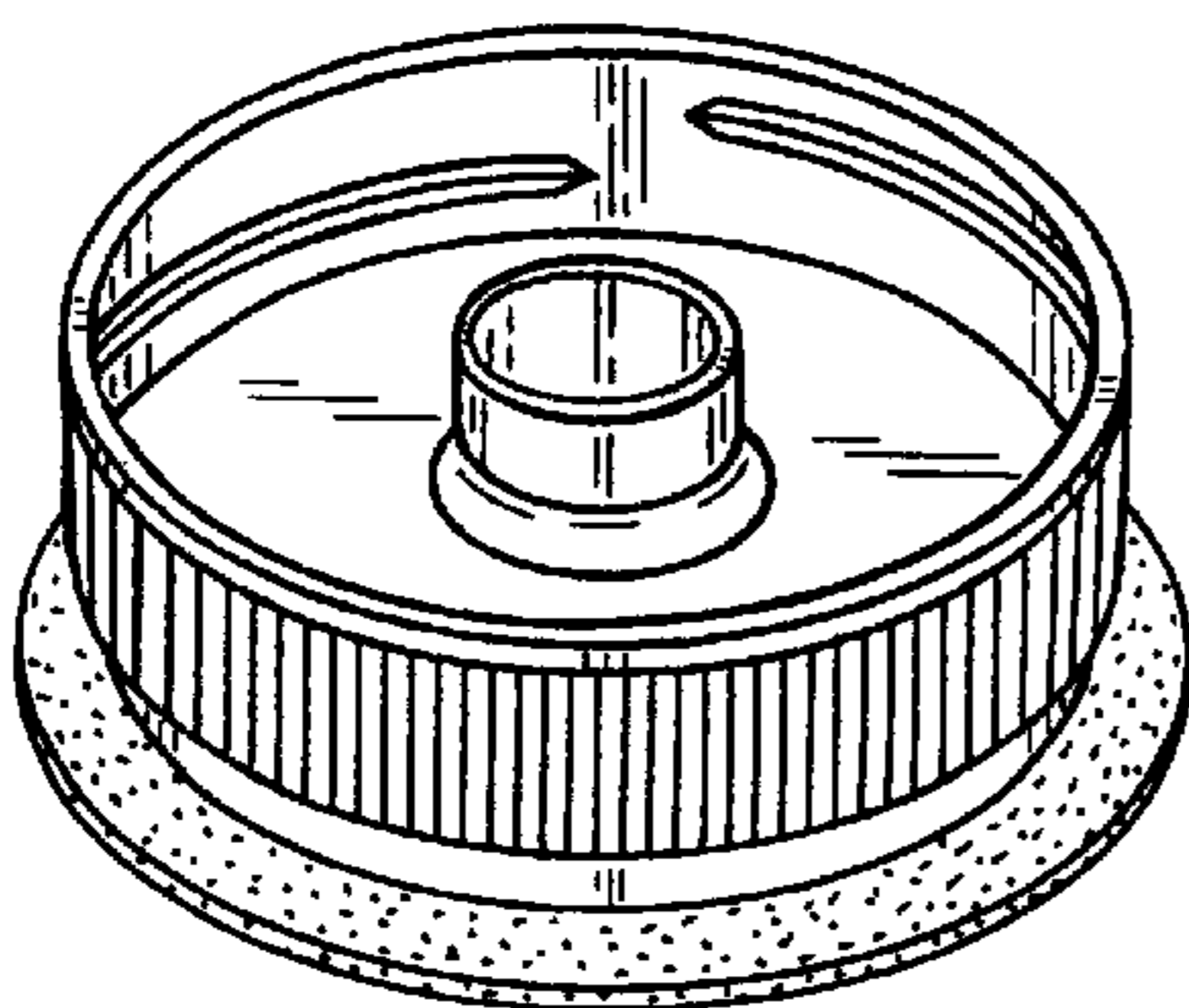


FIG. 29

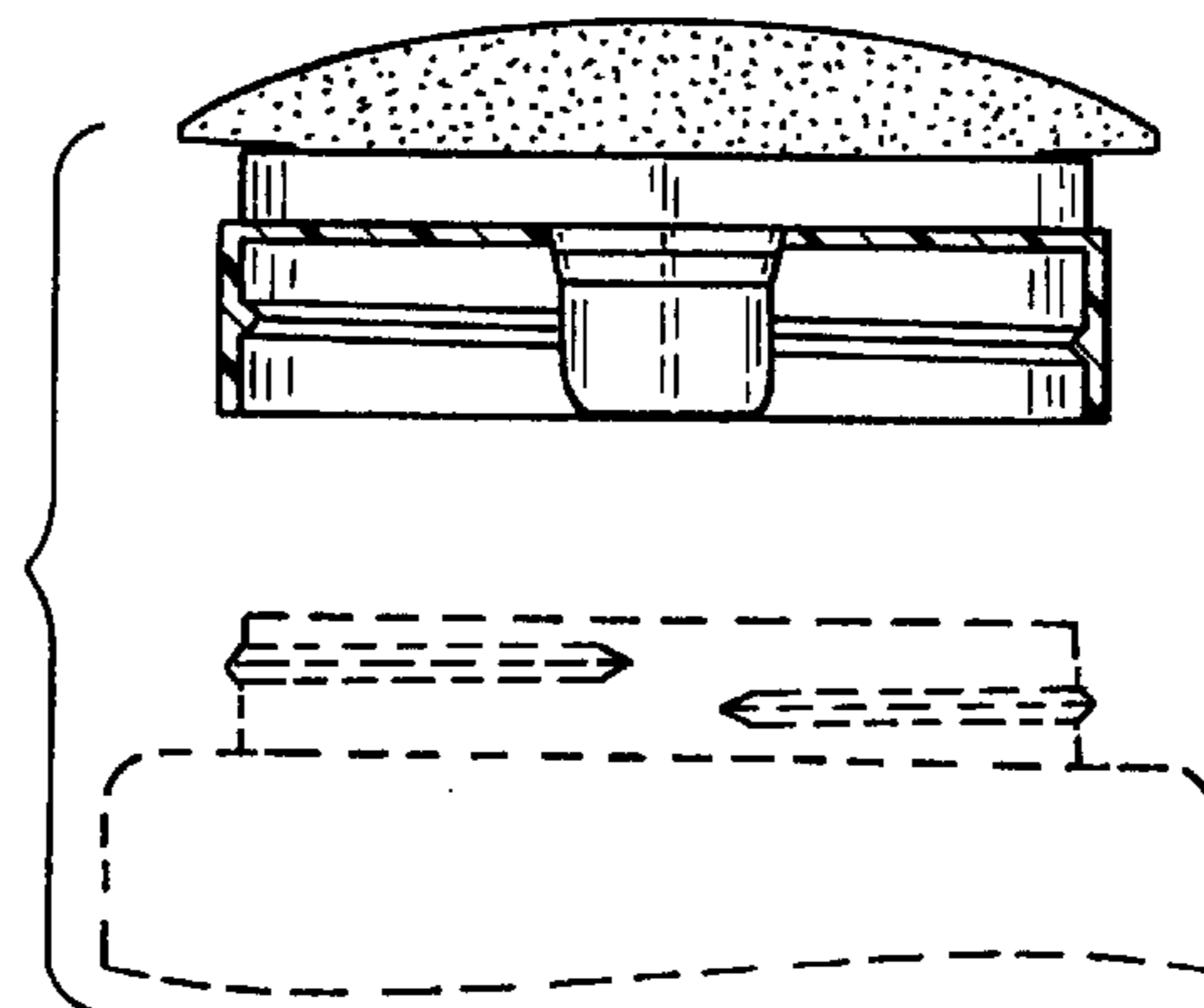


FIG. 30

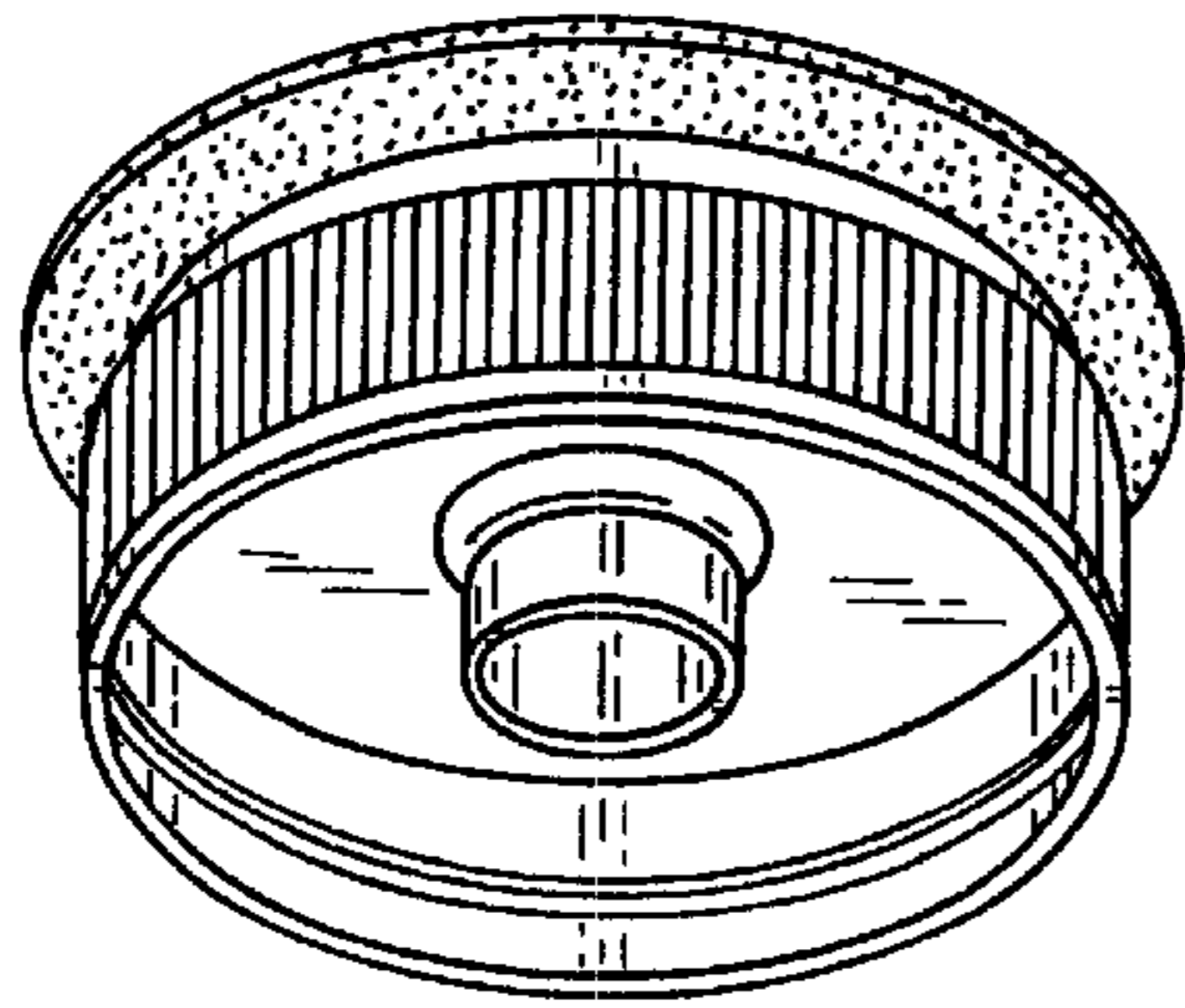


FIG. 31

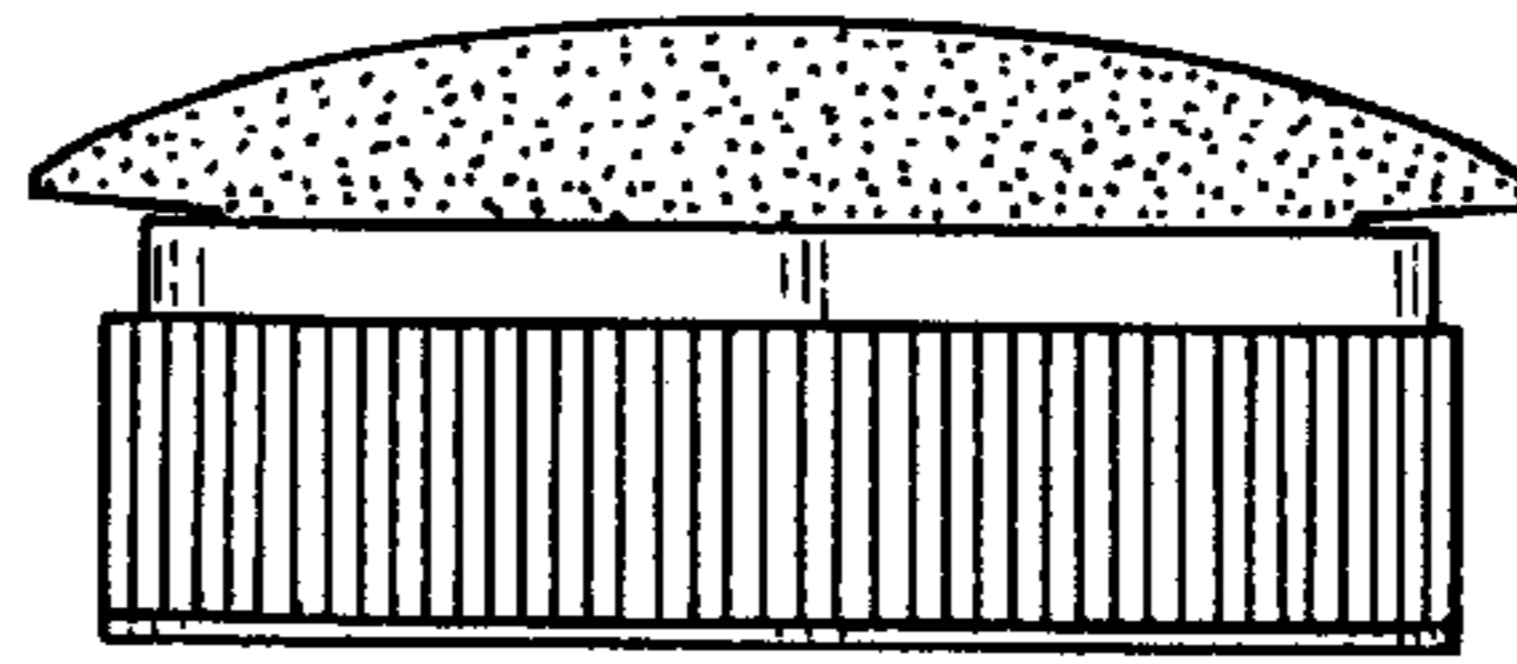


FIG. 32

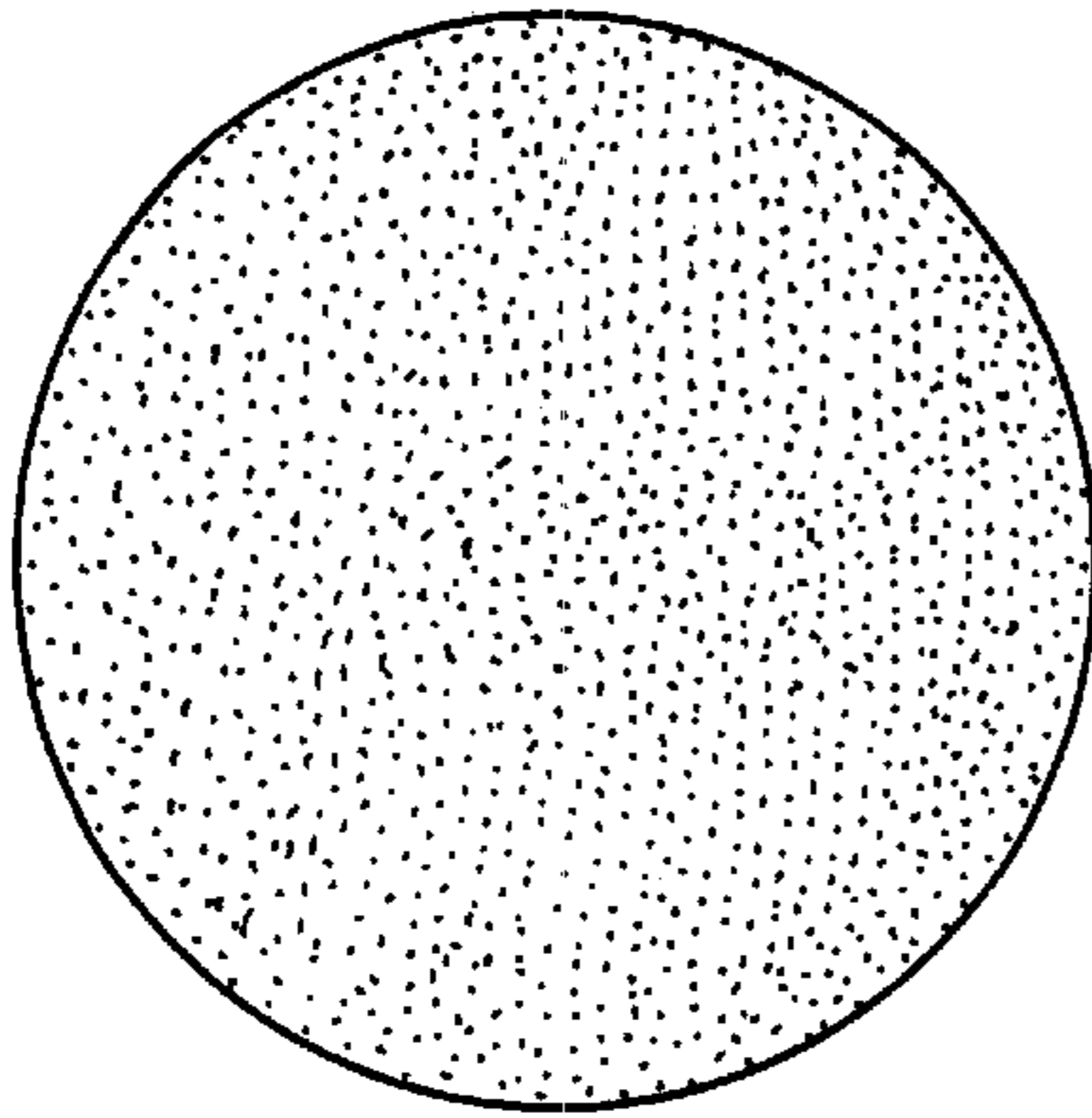


FIG. 33

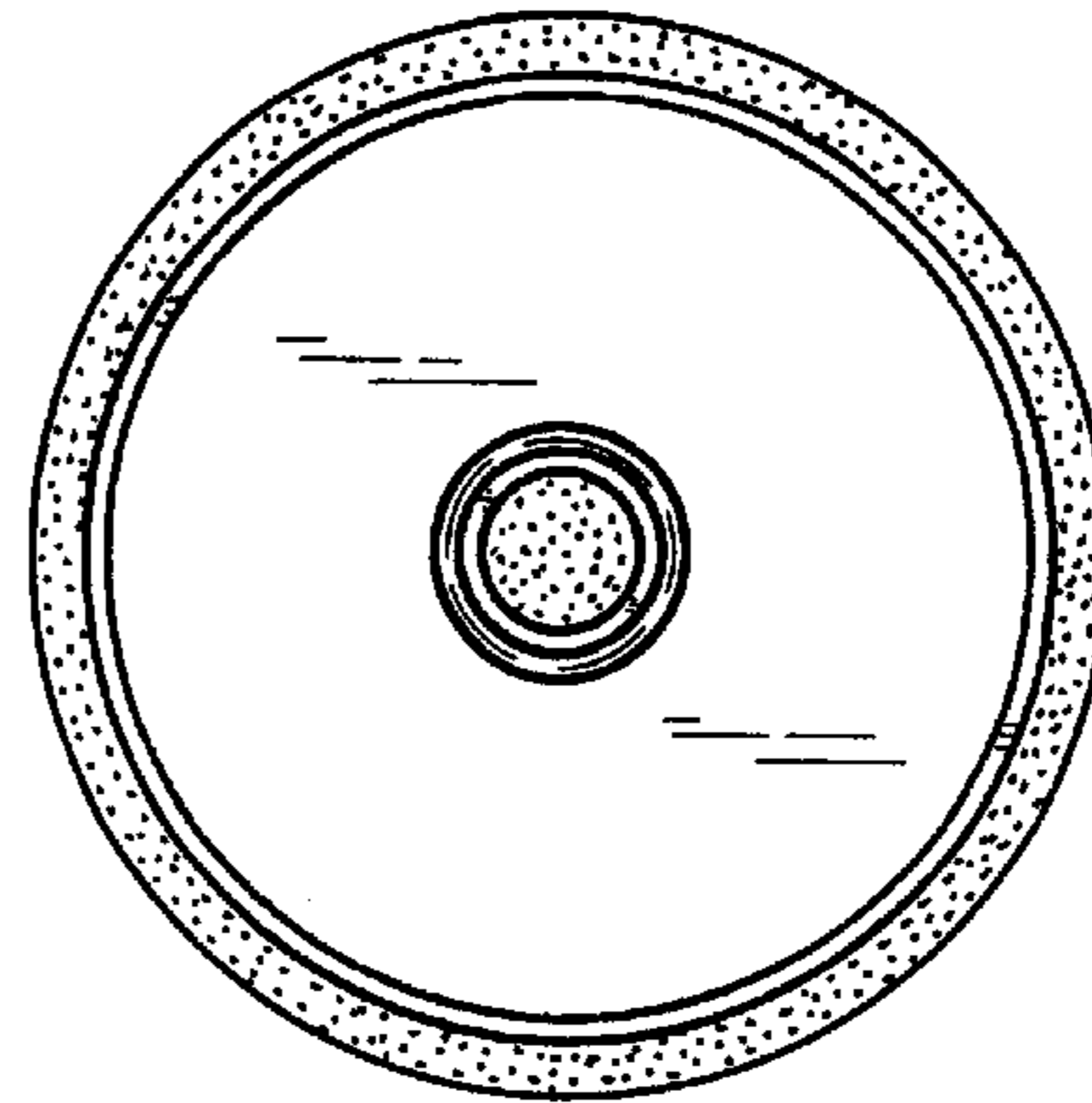


FIG. 34

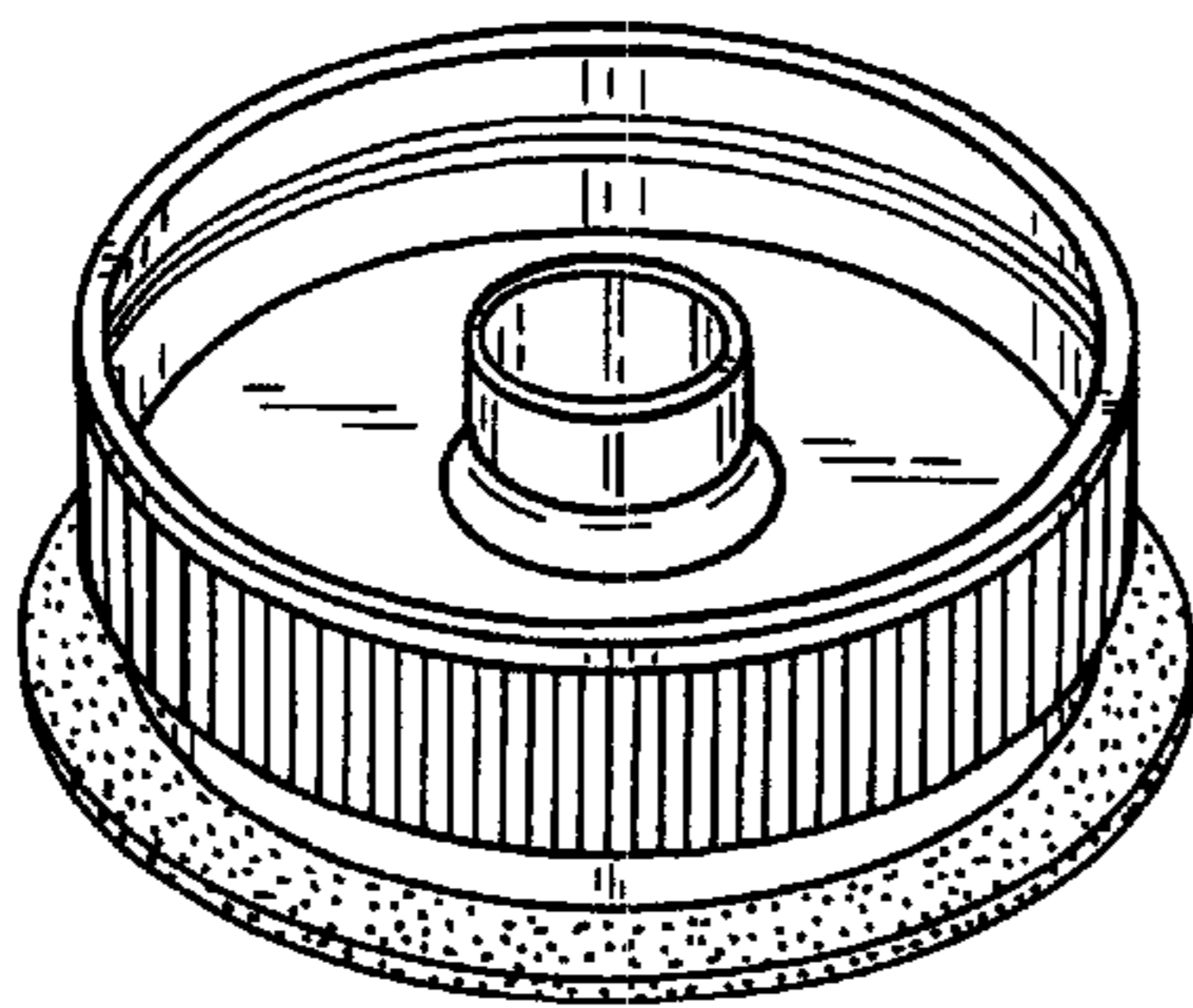


FIG. 35

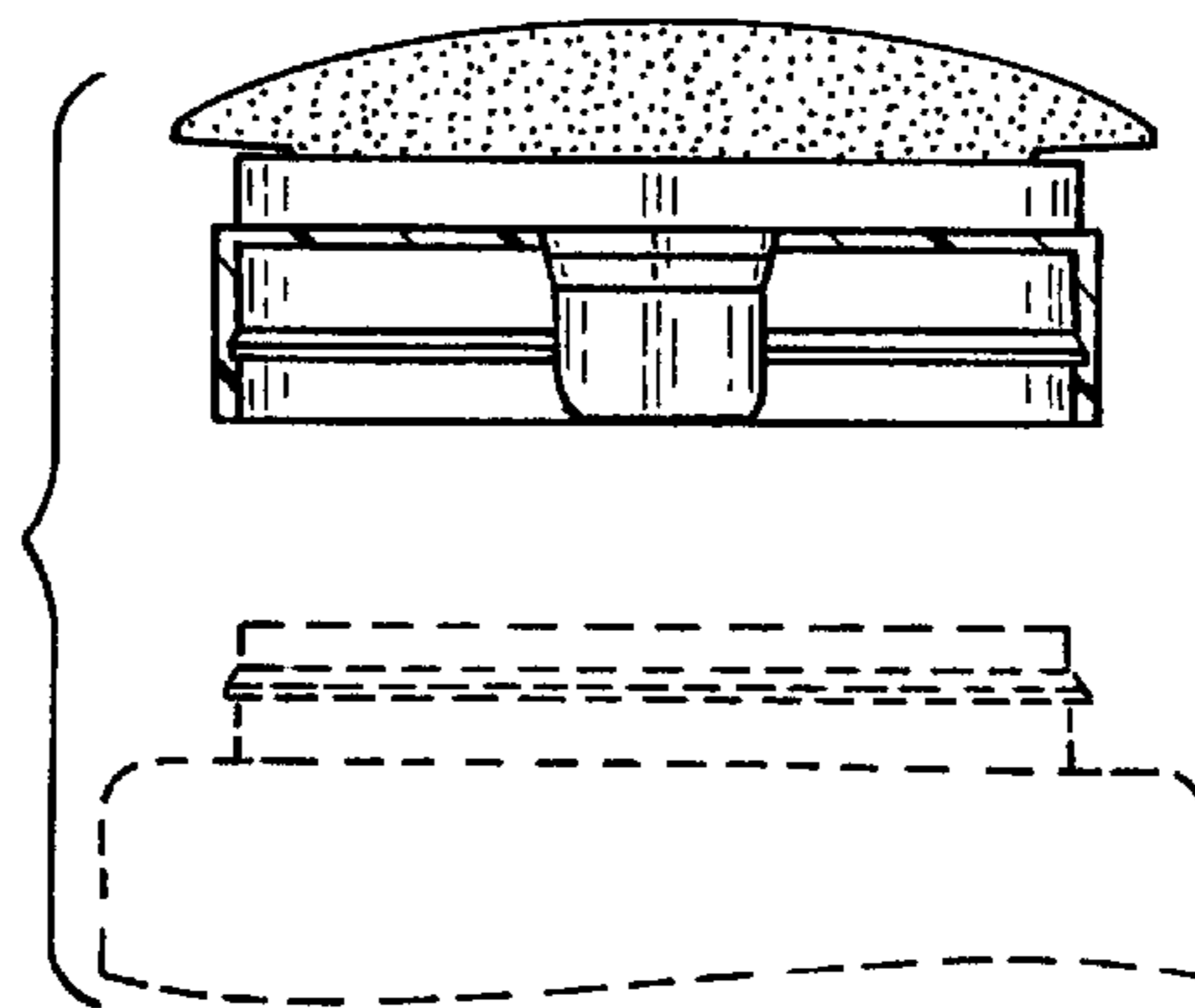


FIG. 36



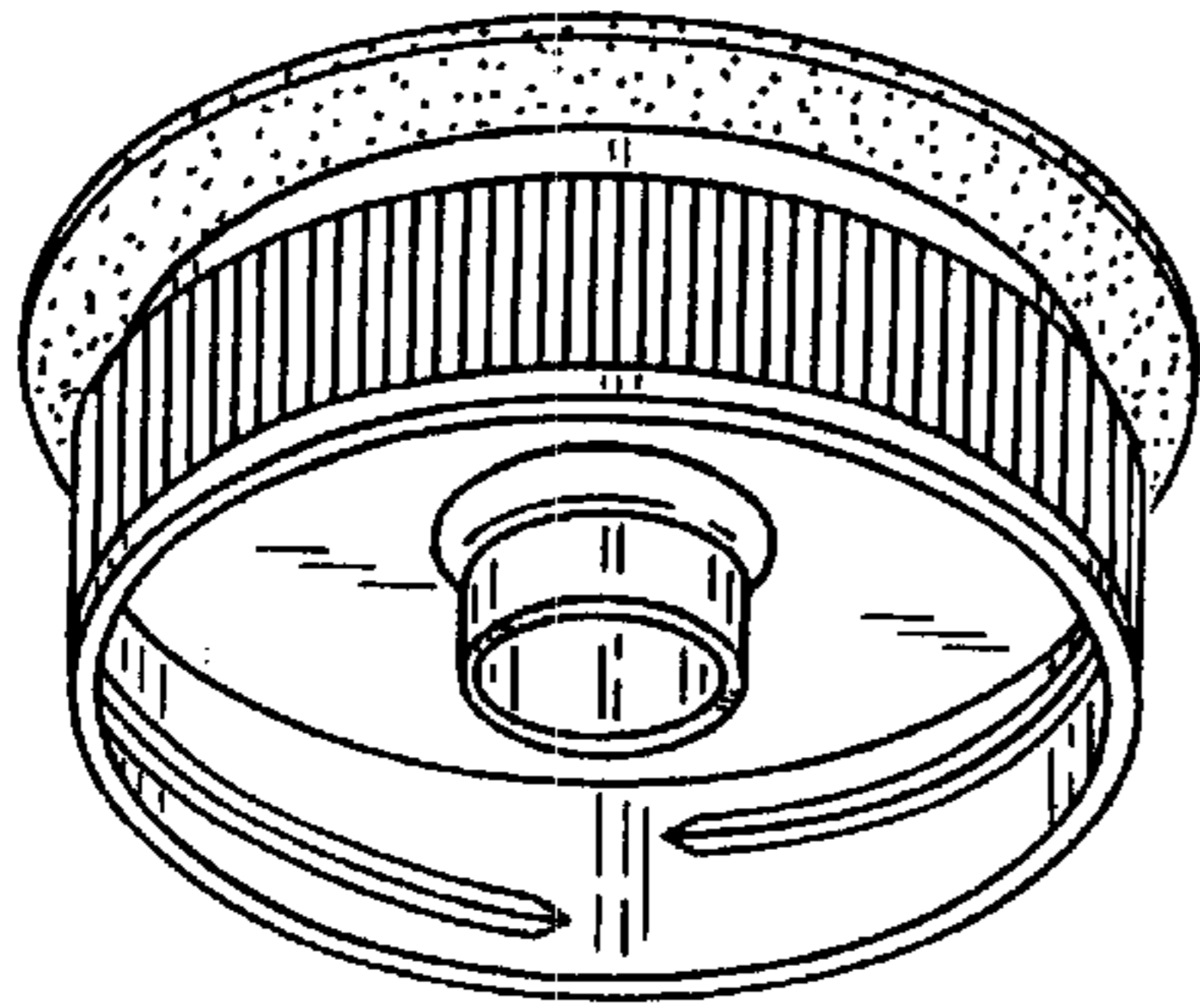


FIG. 37

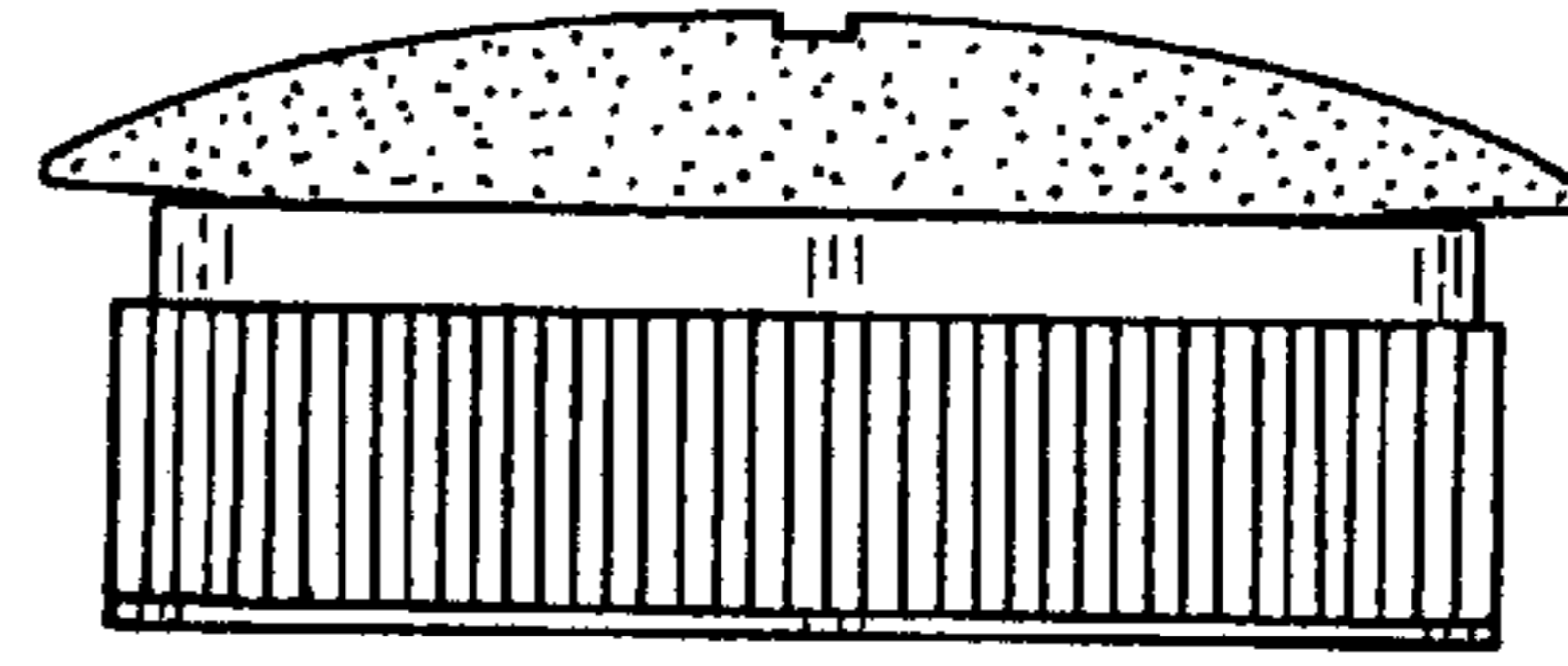


FIG. 38

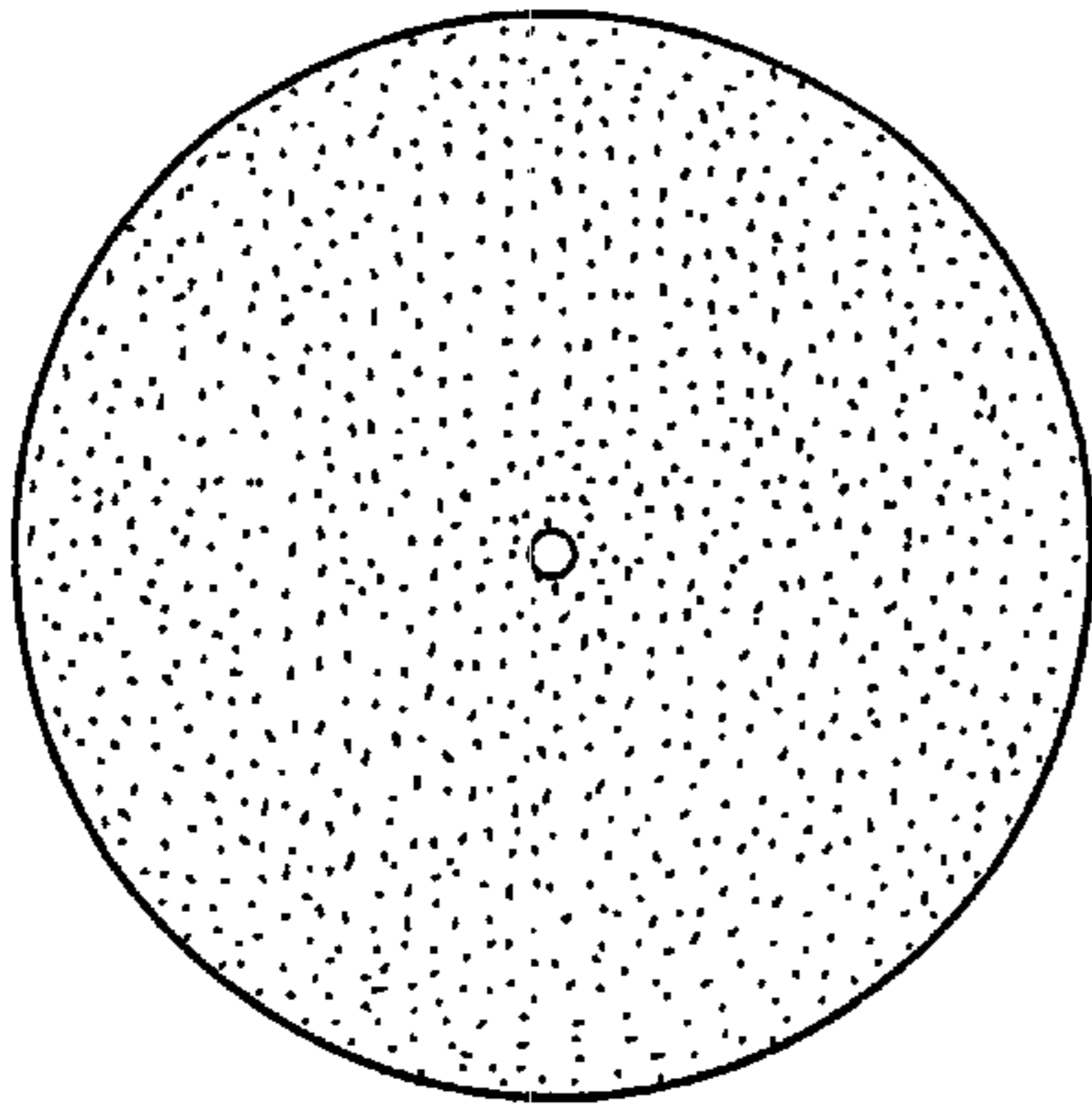


FIG. 39

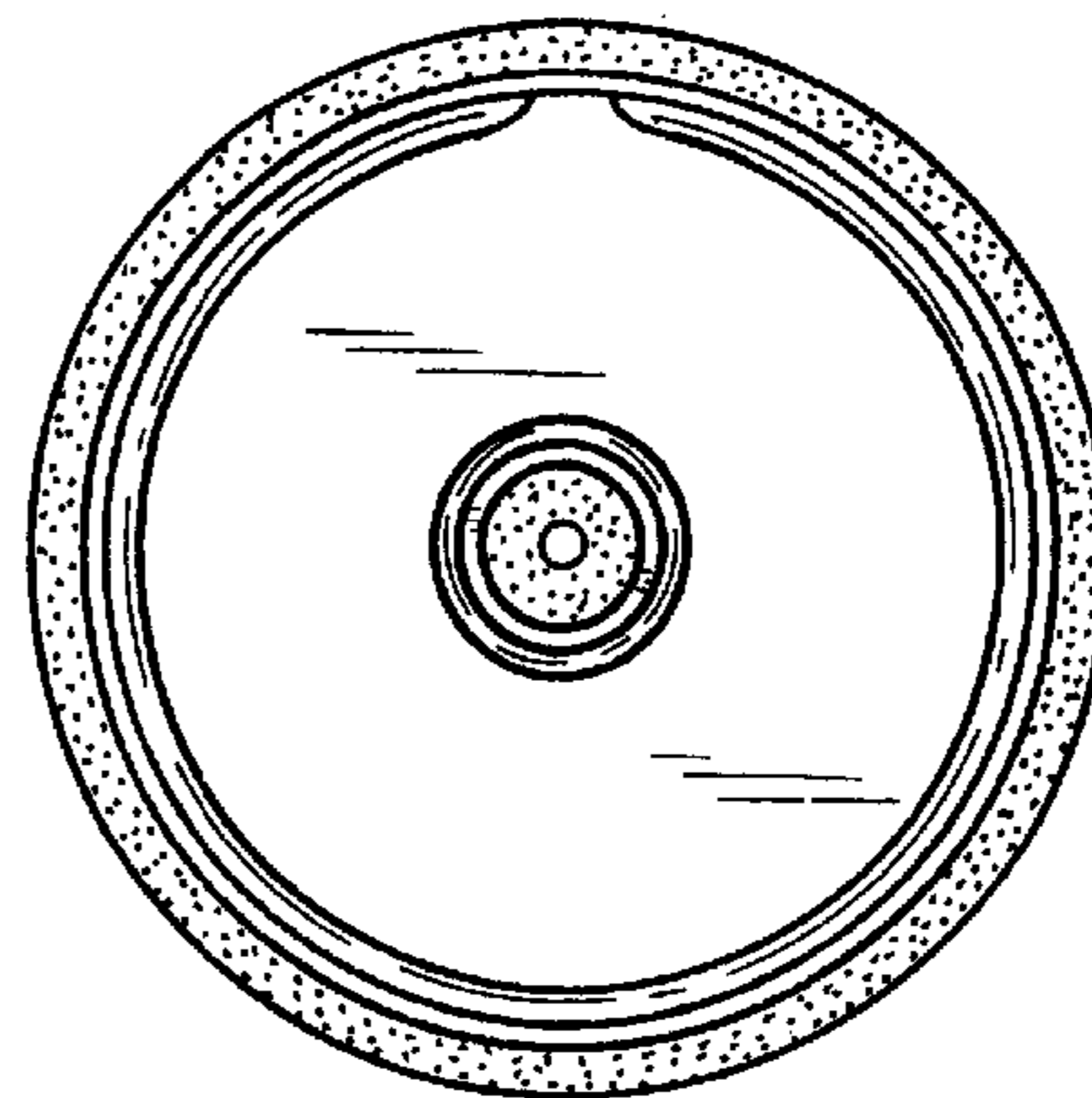


FIG. 40

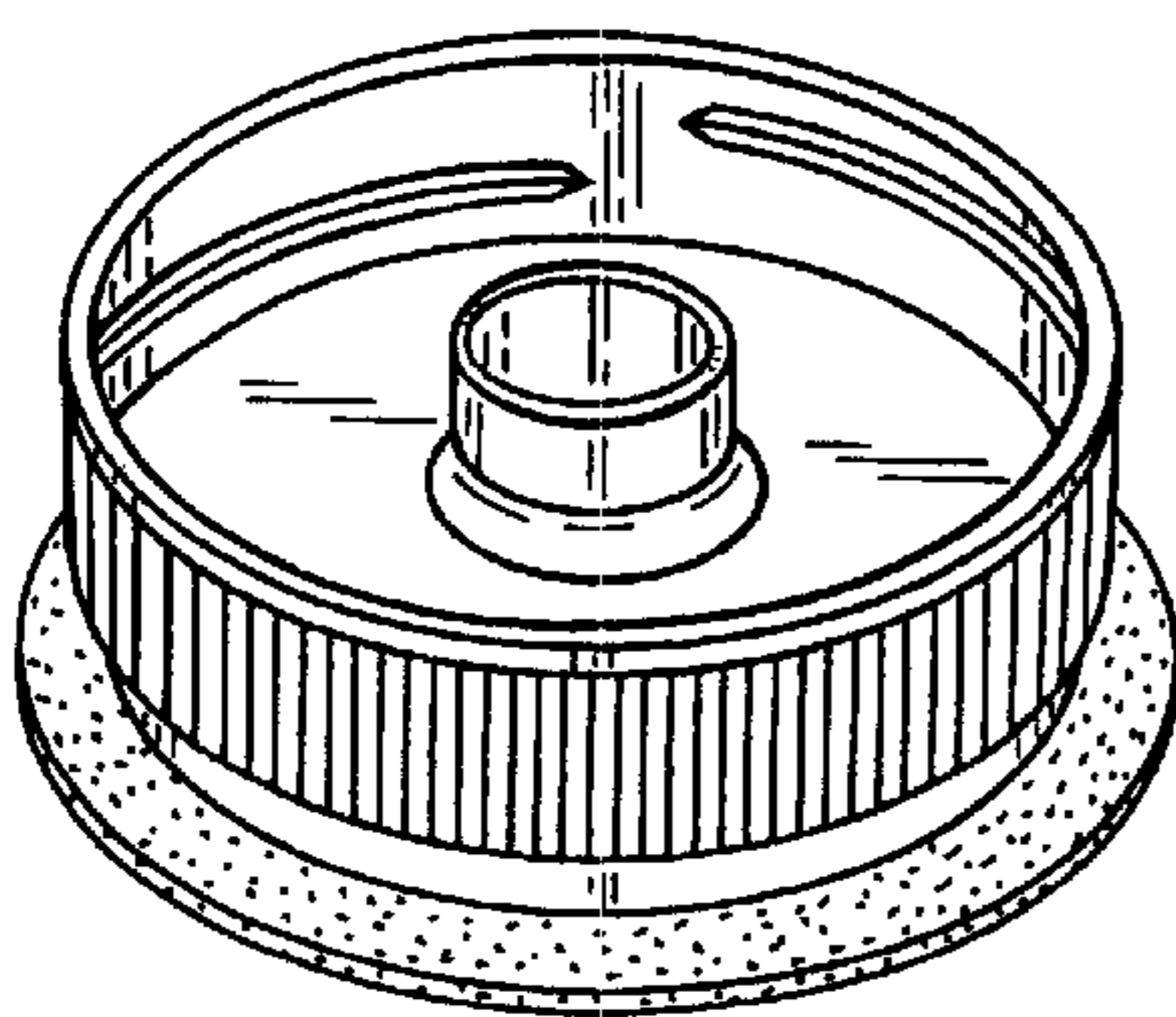


FIG. 41

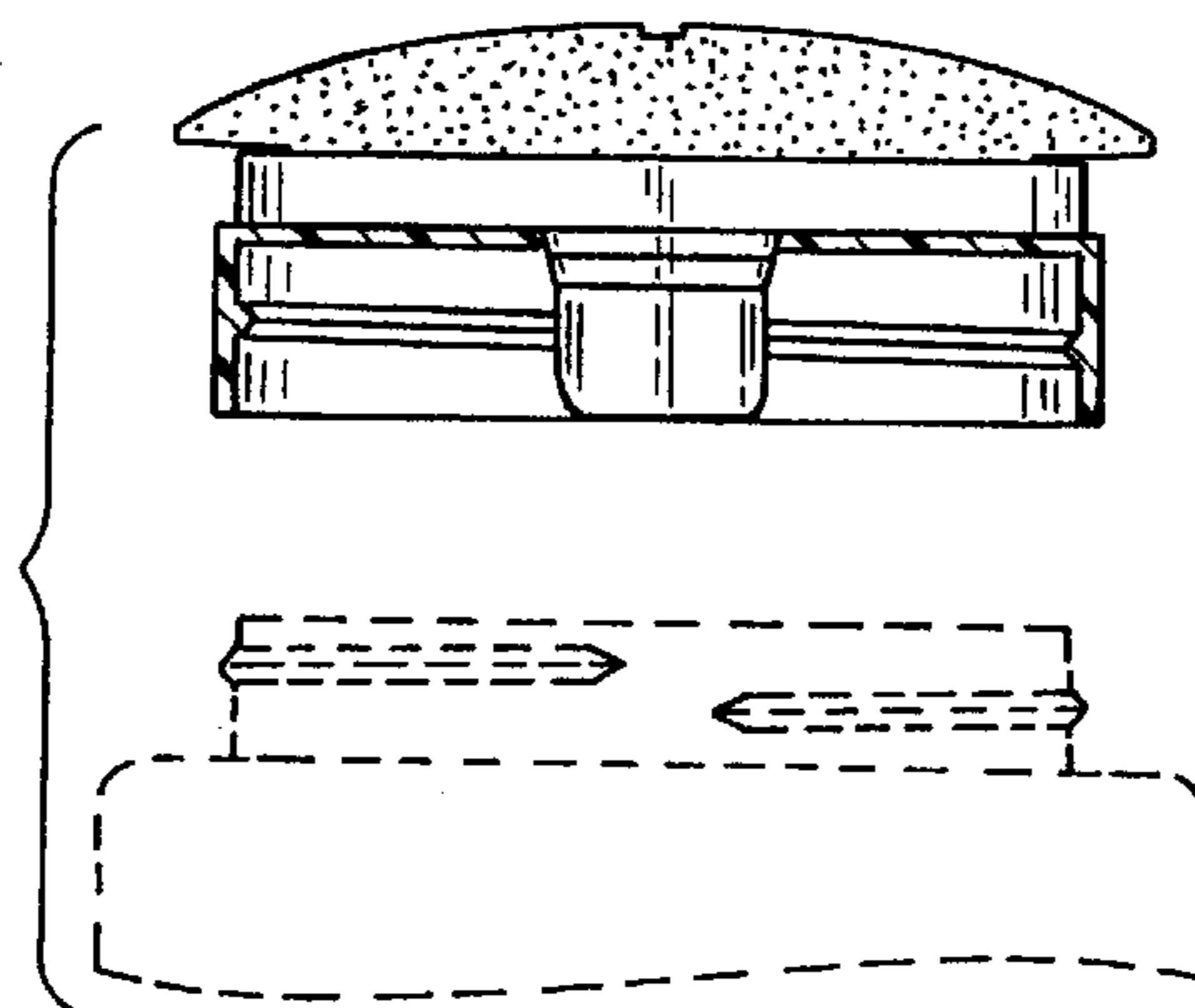


FIG. 42

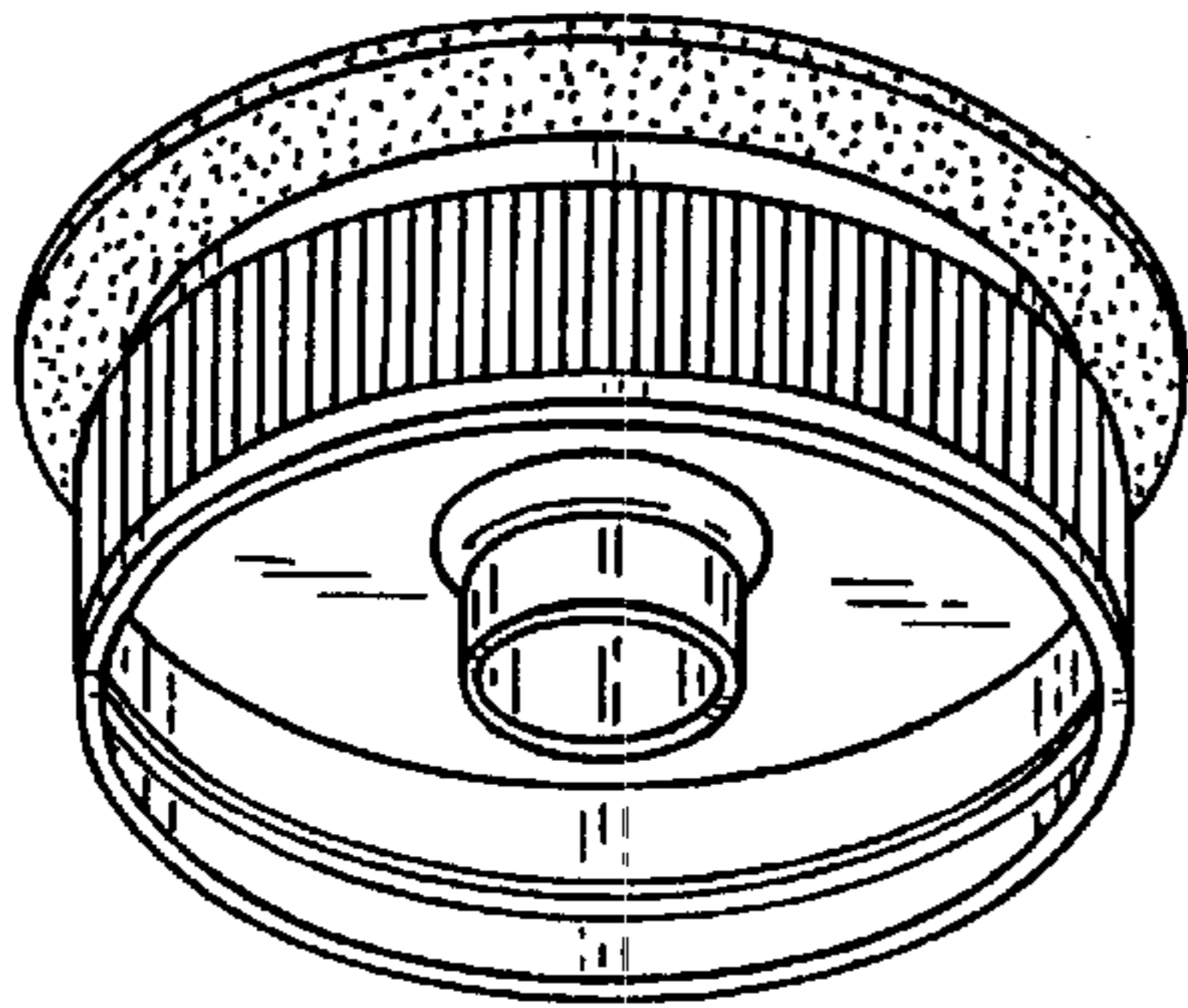


FIG. 43

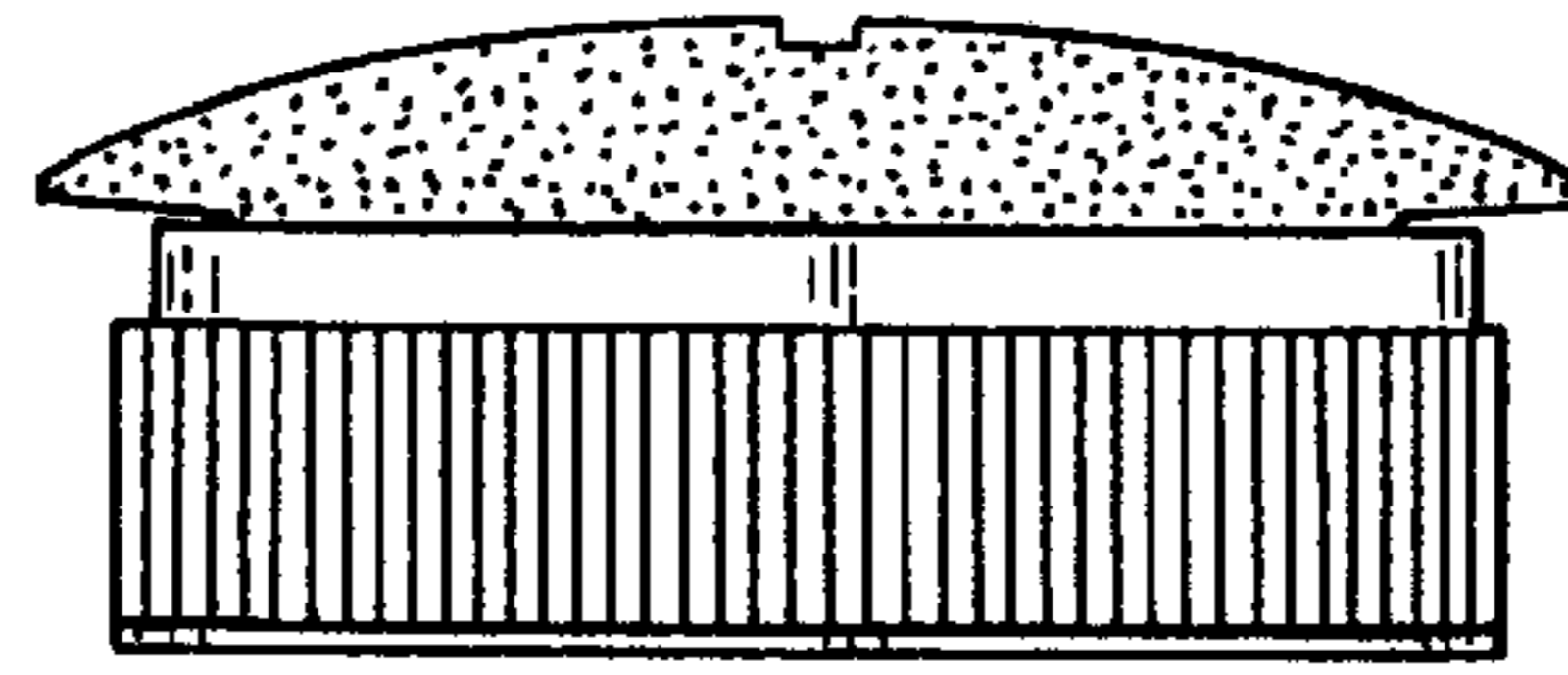


FIG. 44

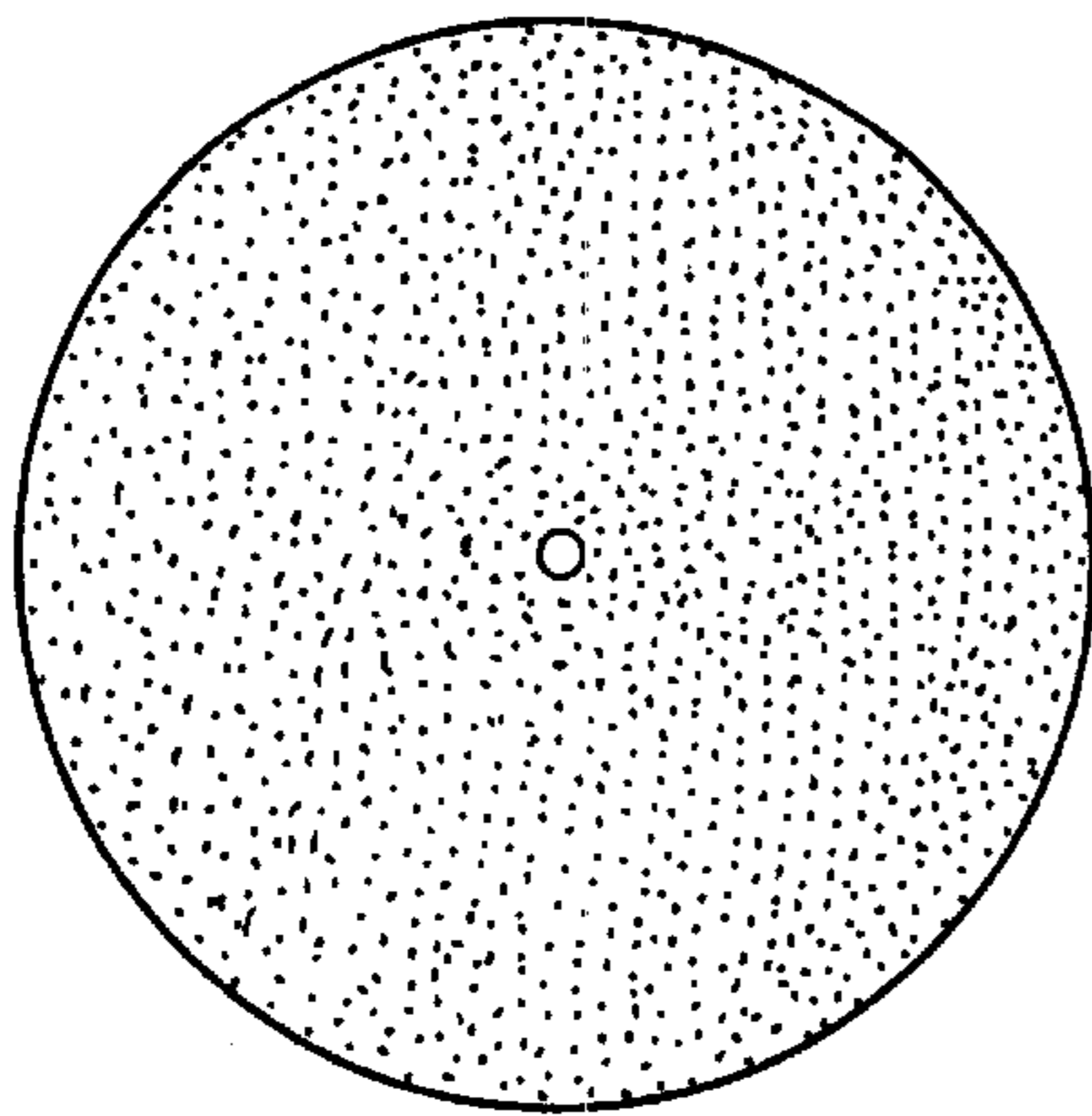


FIG. 45

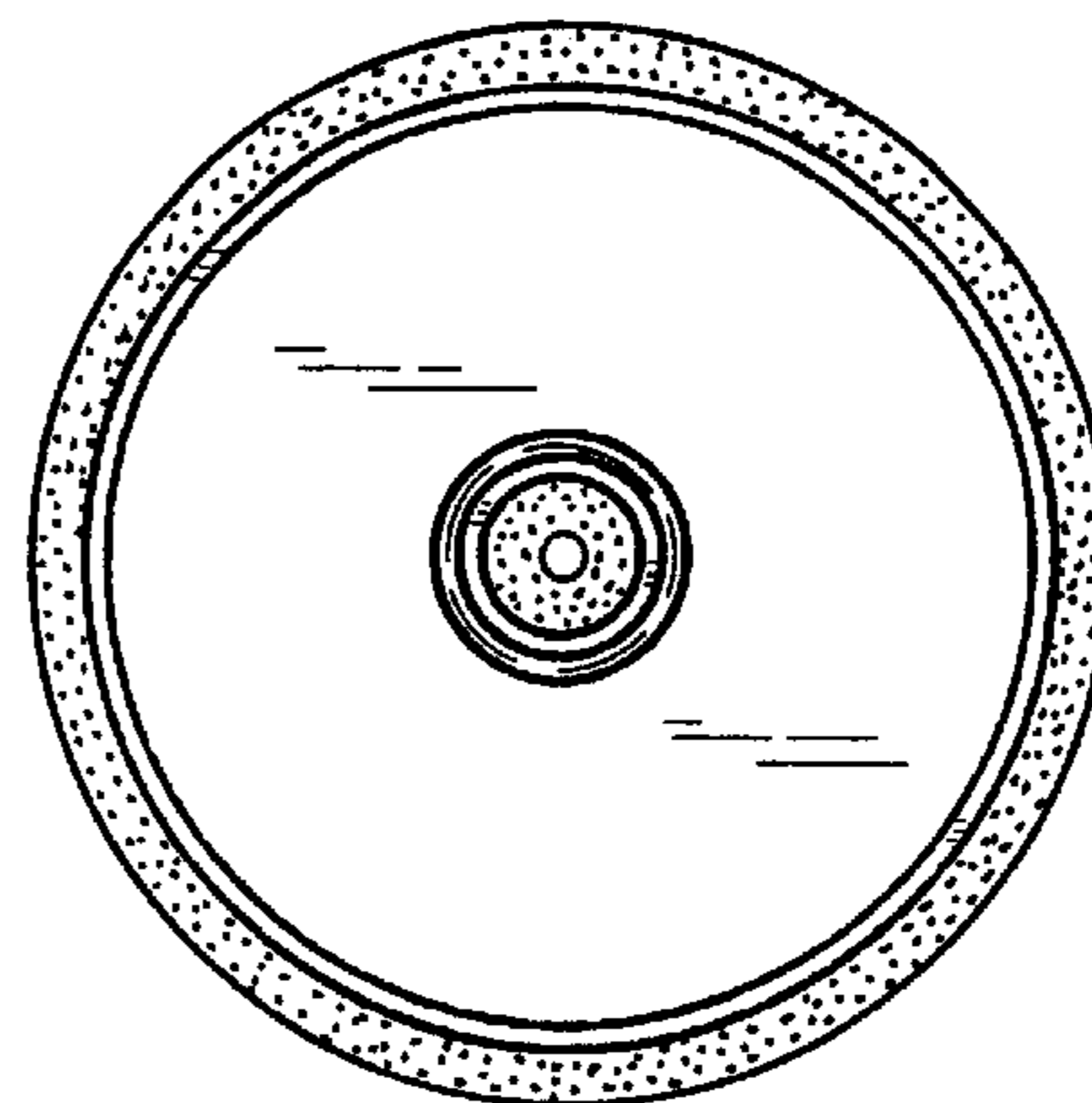


FIG. 46

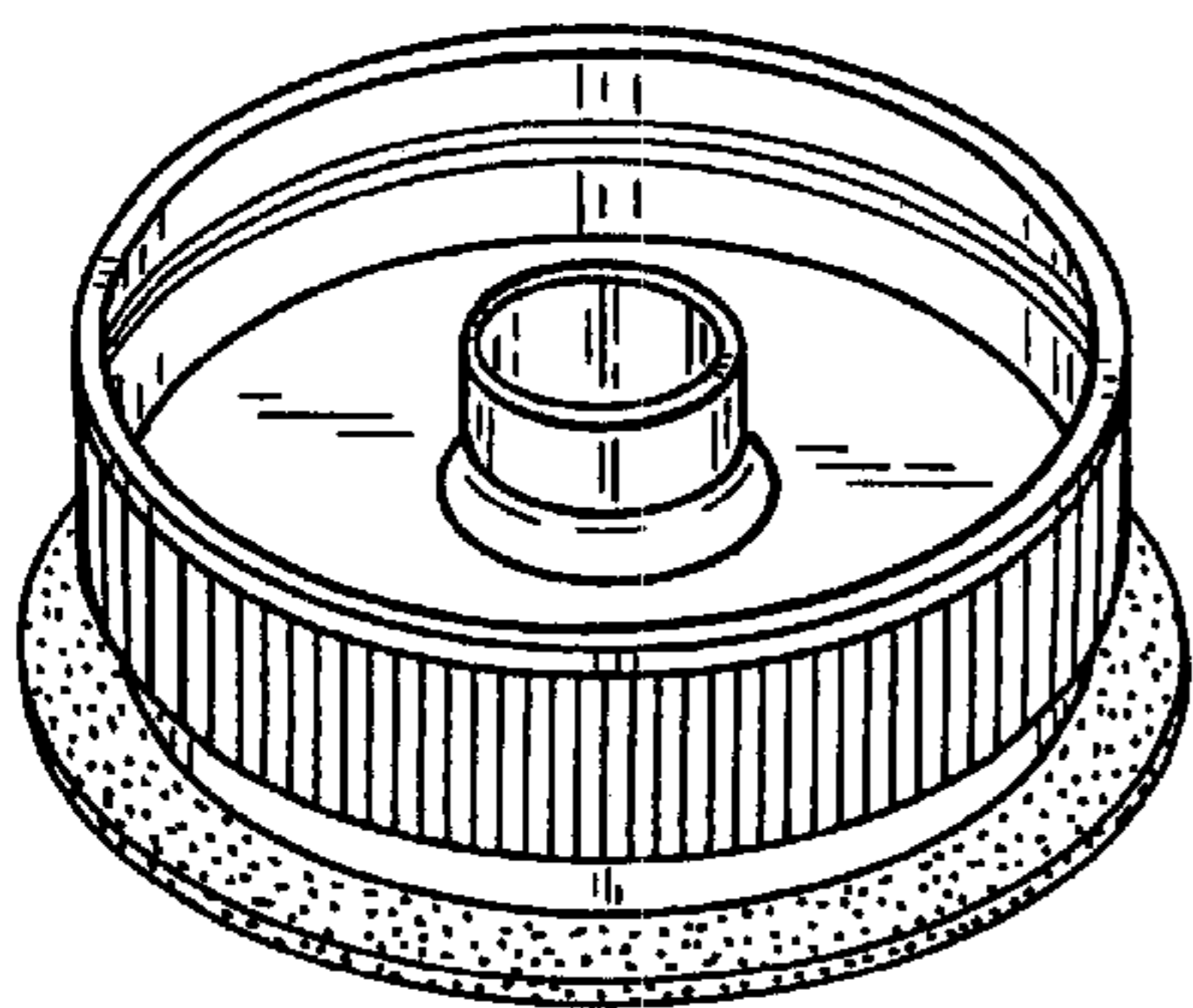


FIG. 47

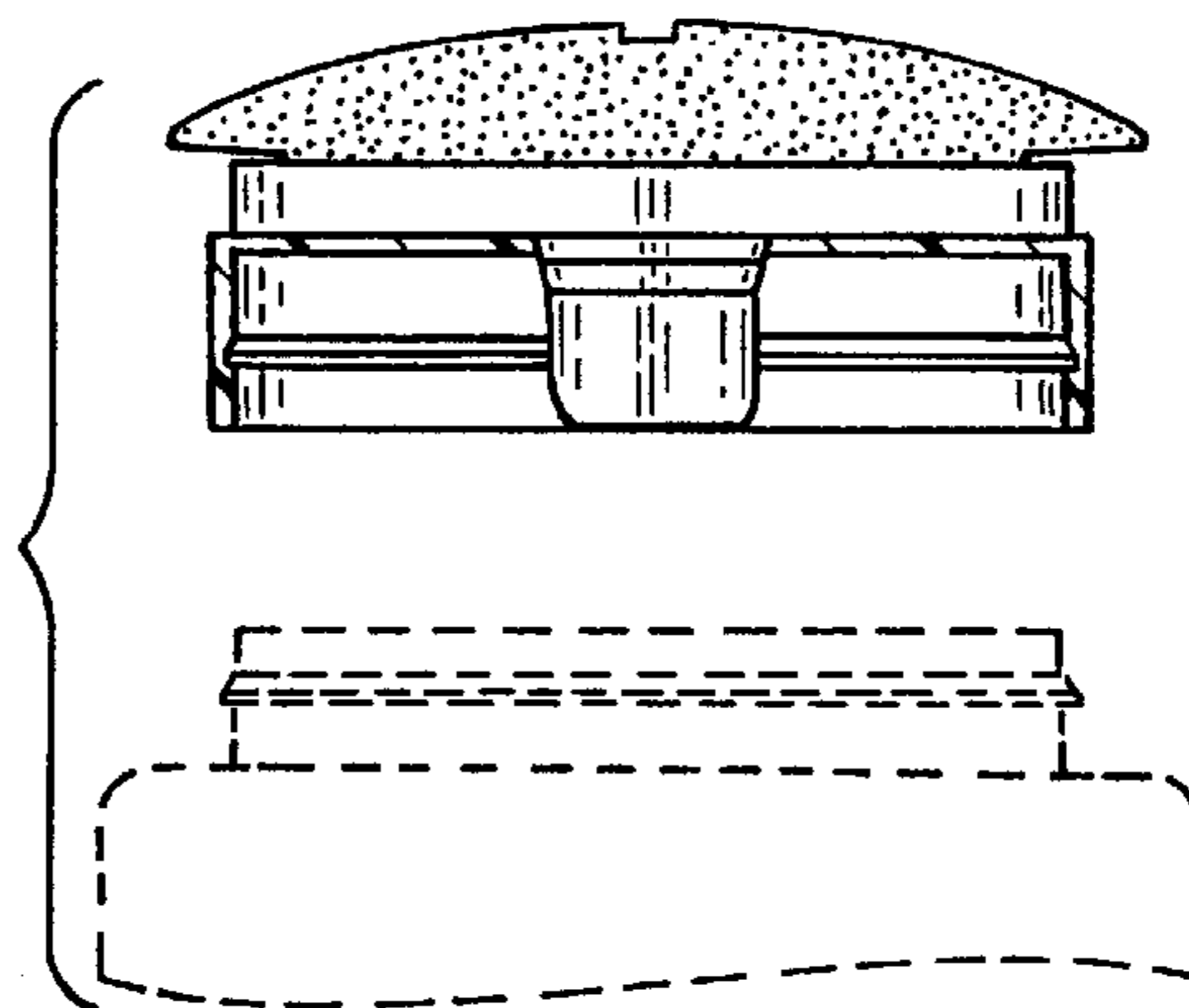


FIG. 48

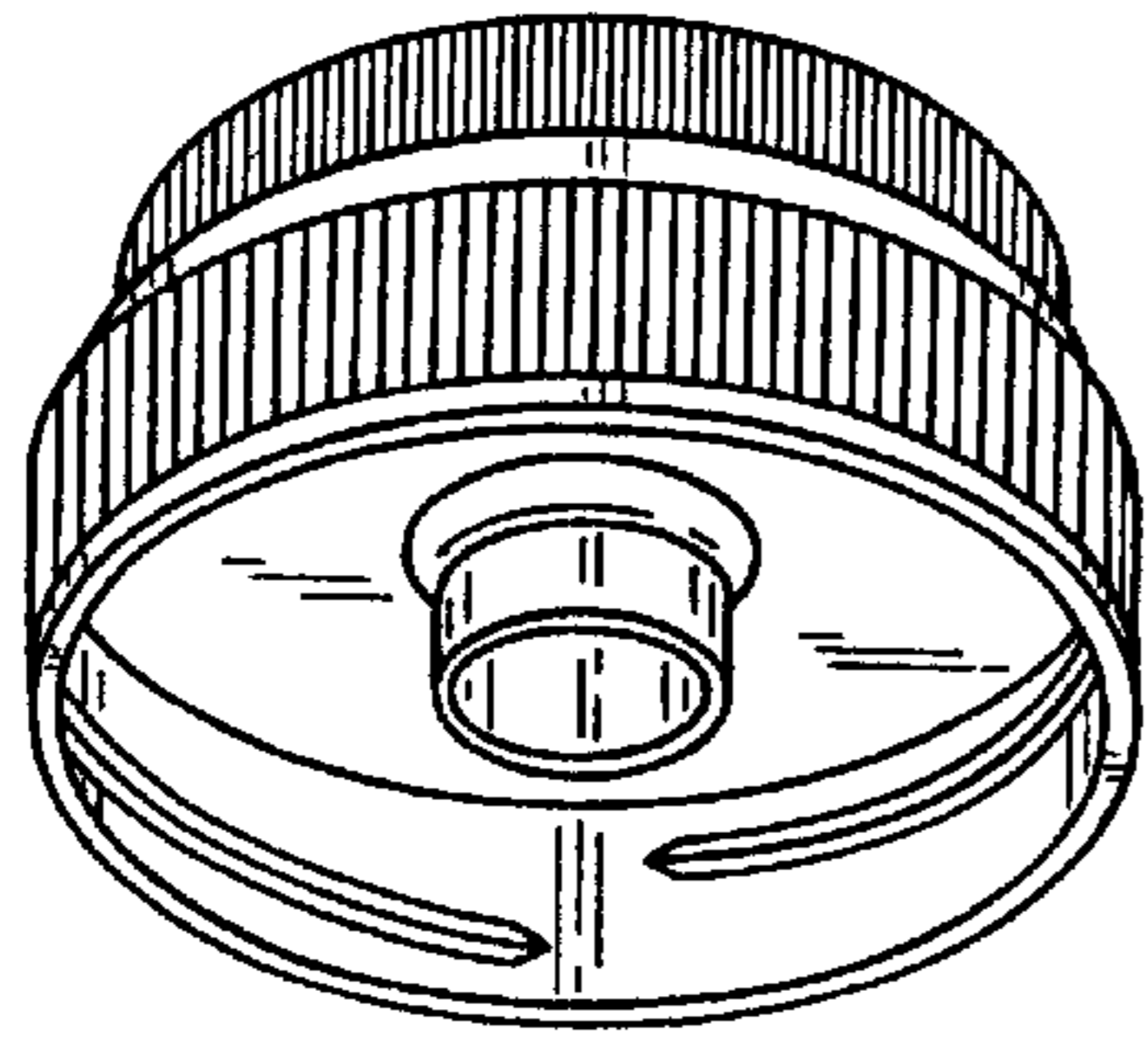


FIG. 49

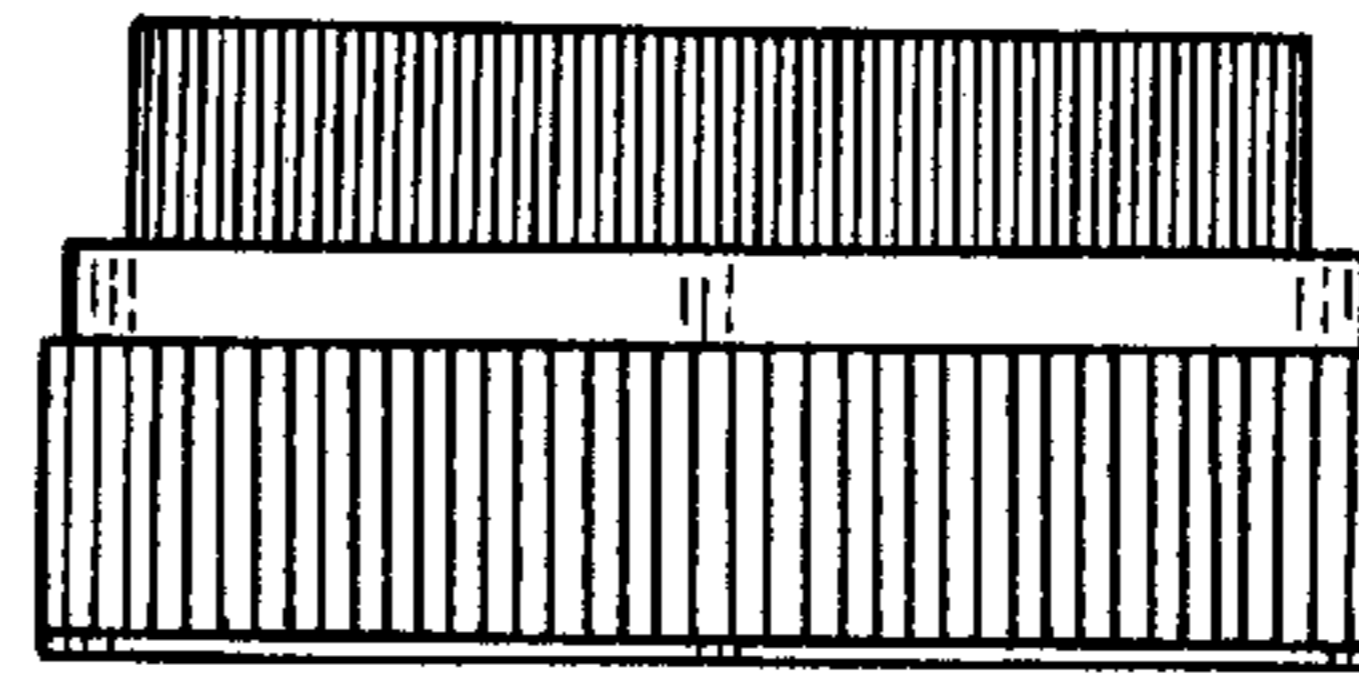


FIG. 50

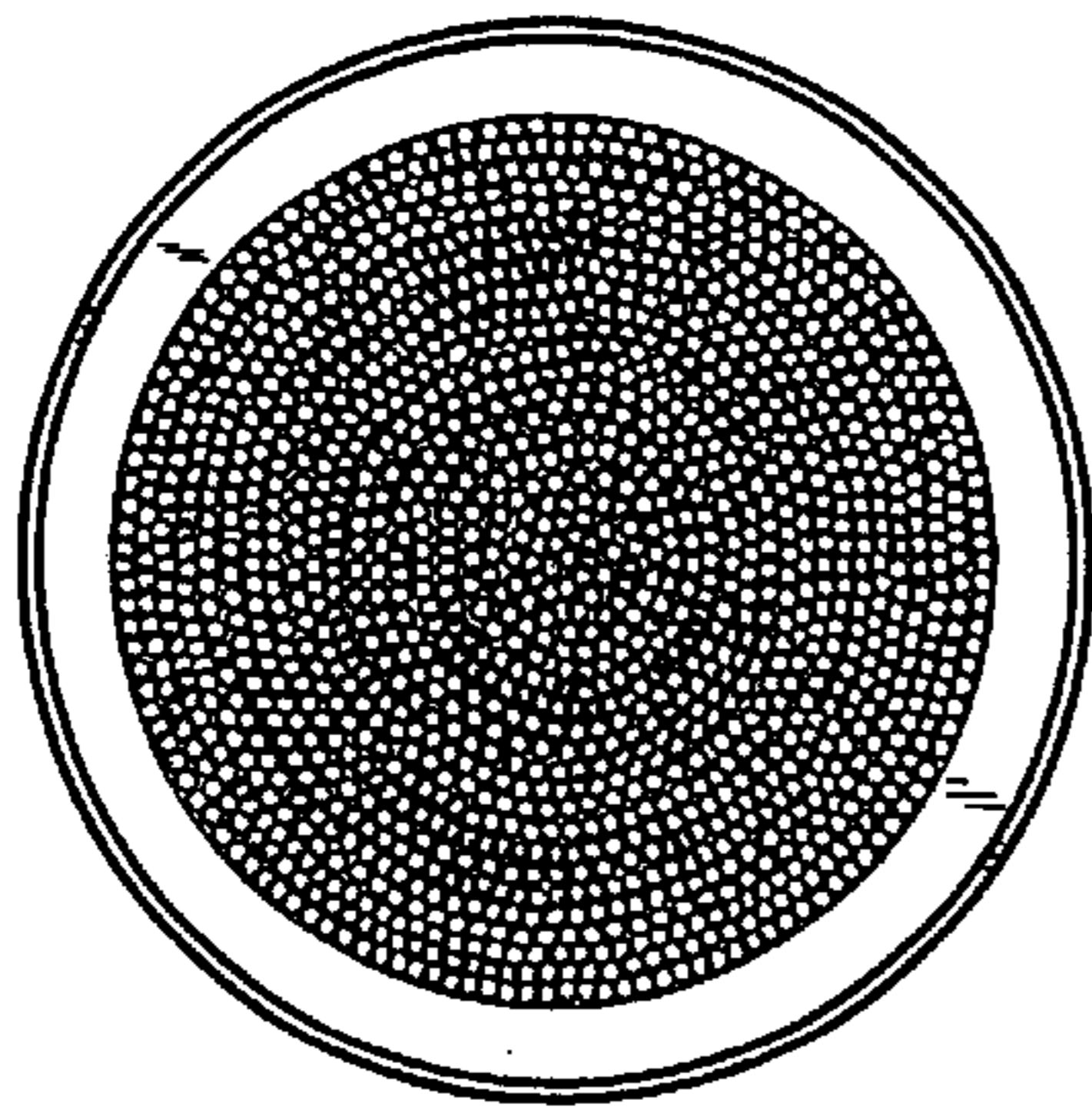


FIG. 51

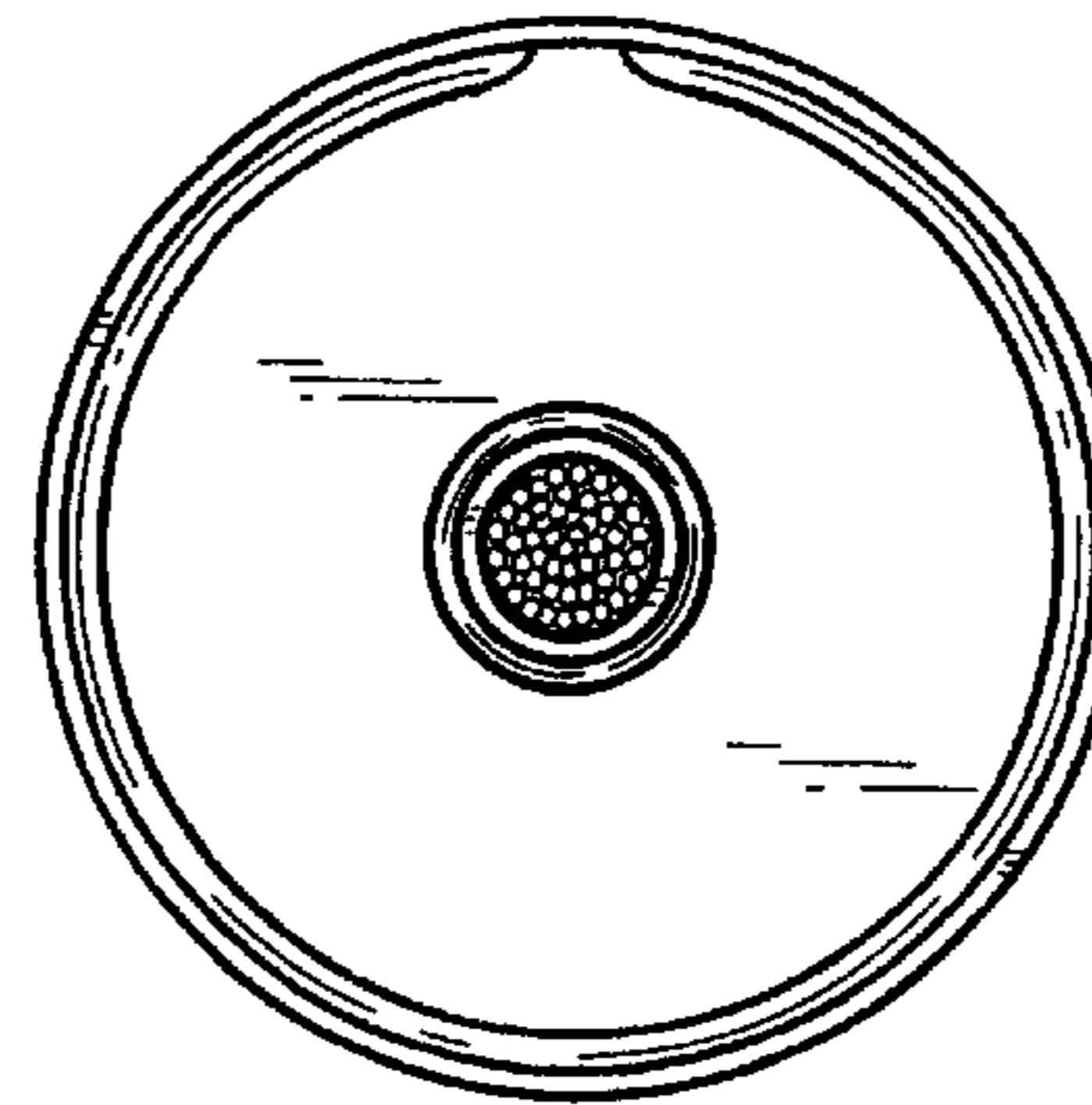


FIG. 52

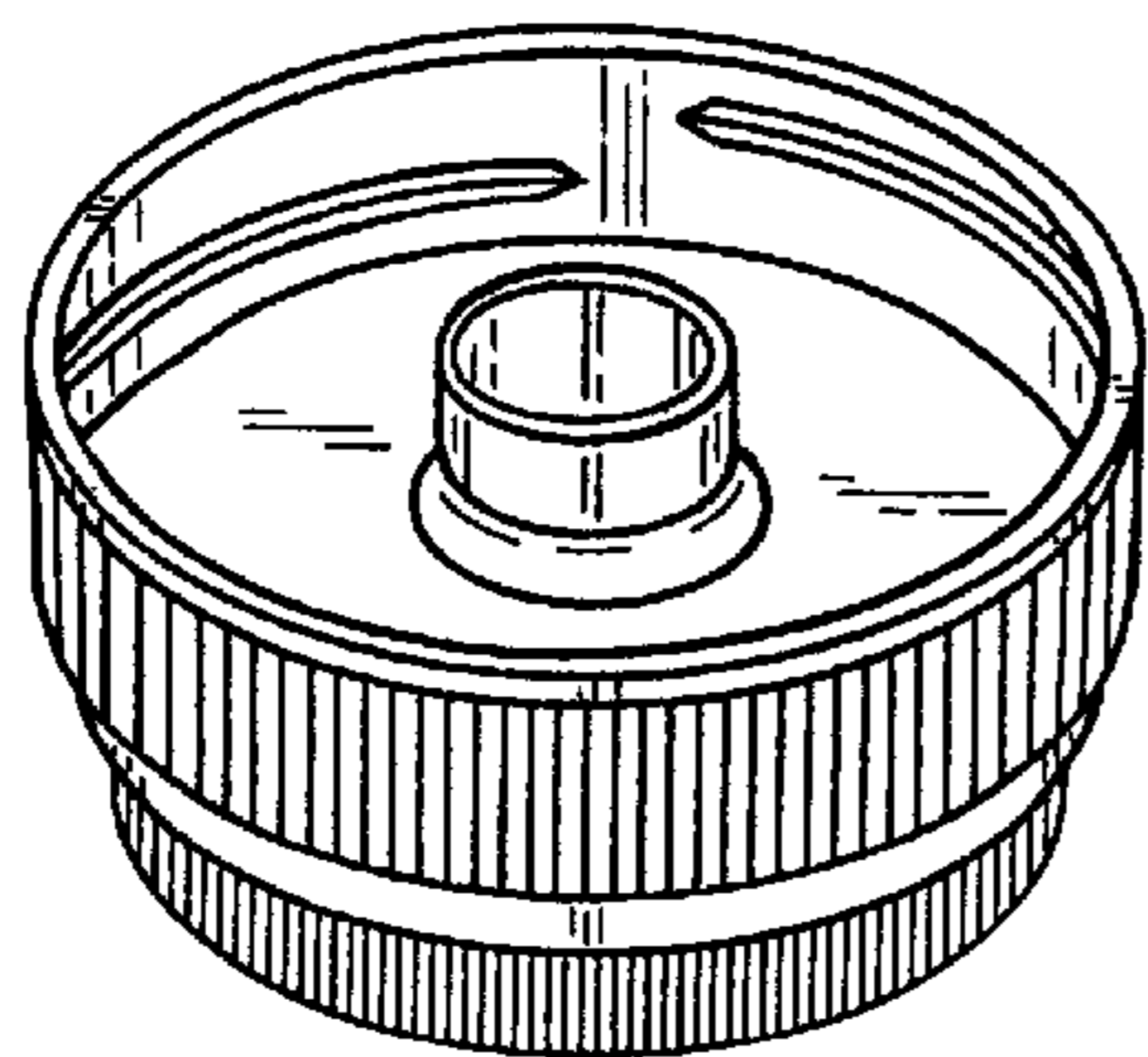


FIG. 53

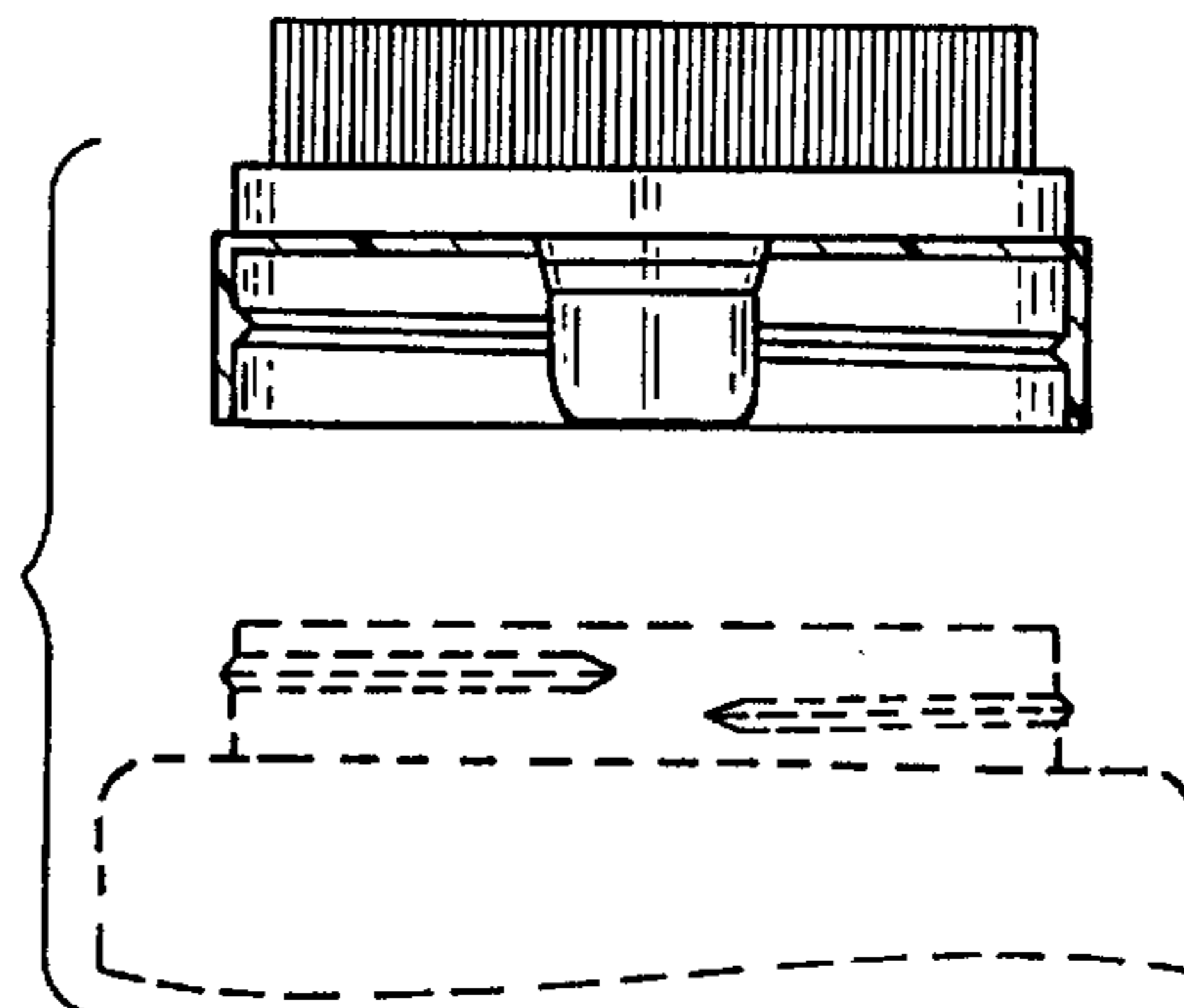


FIG. 54



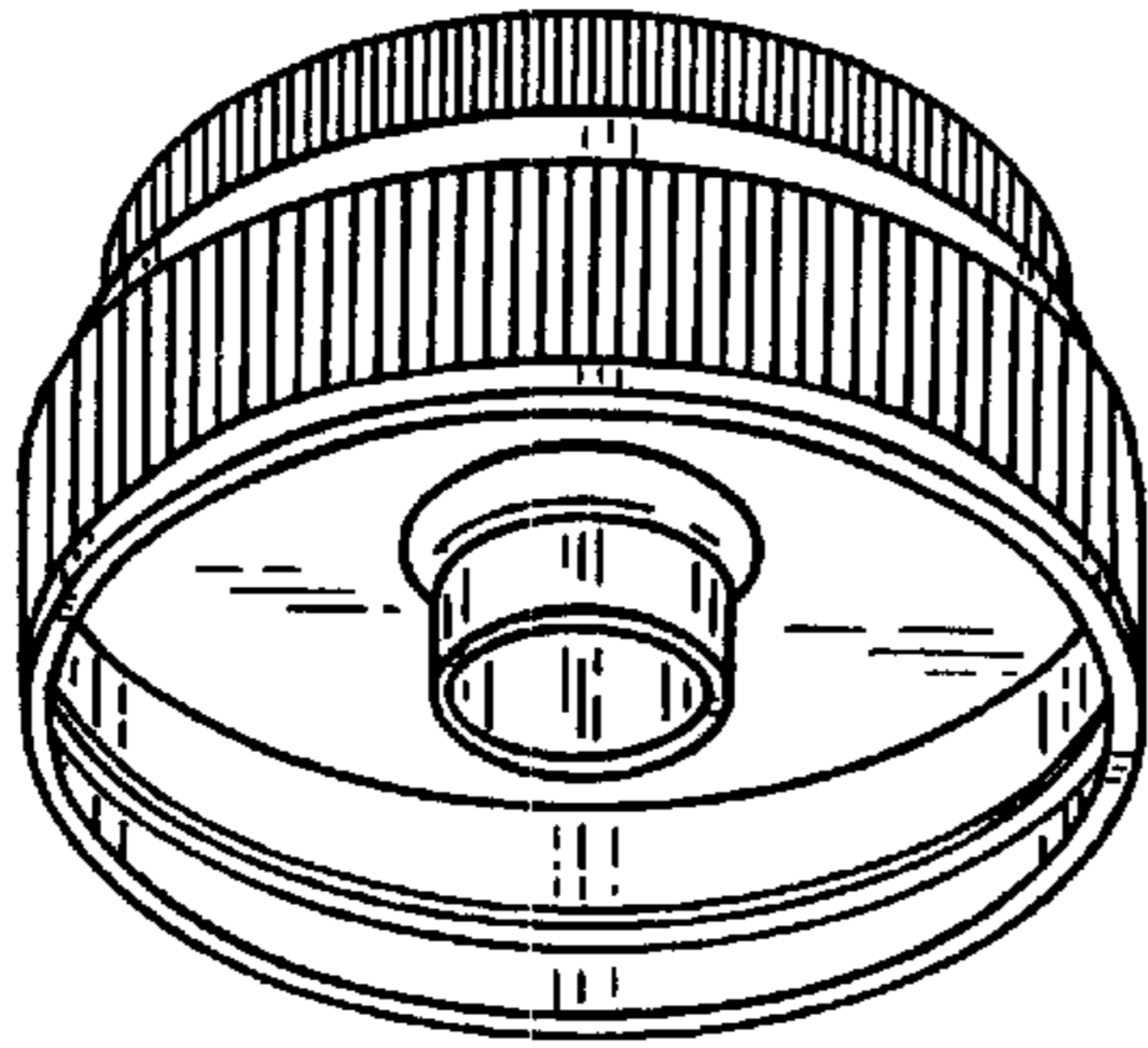


FIG. 55

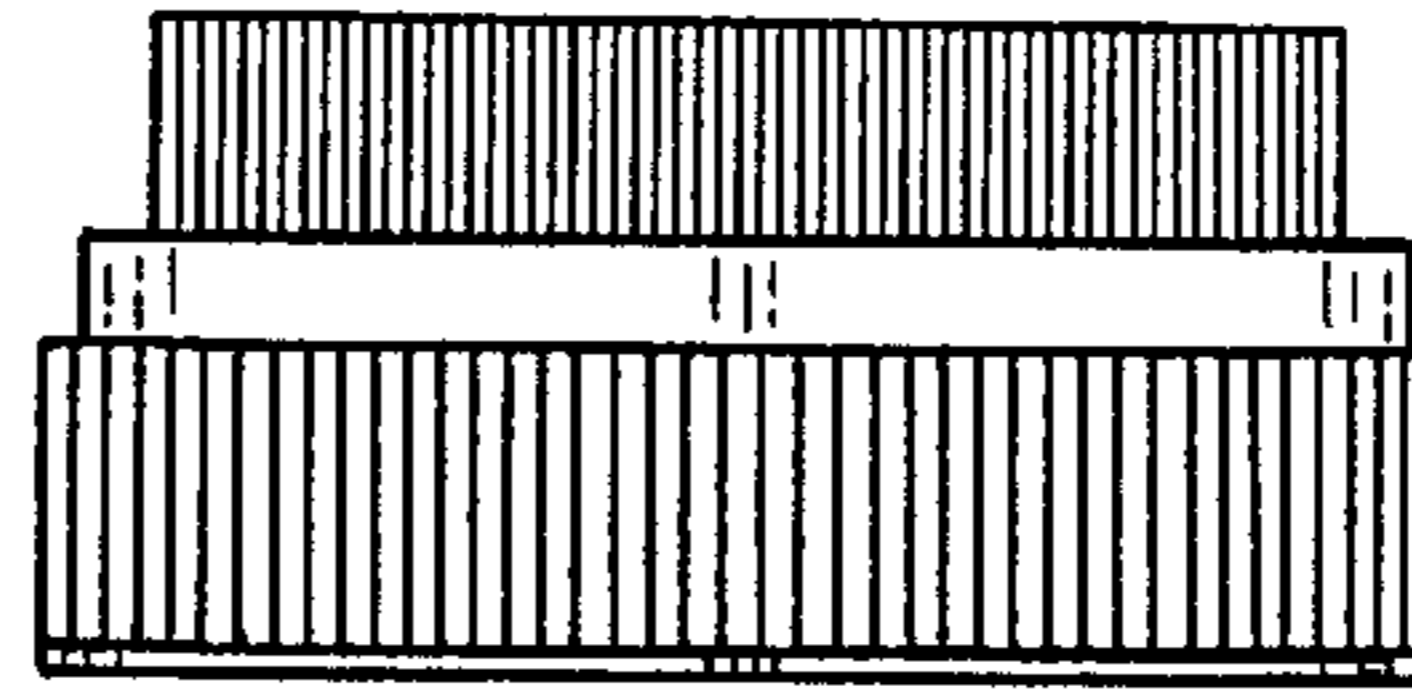


FIG. 56

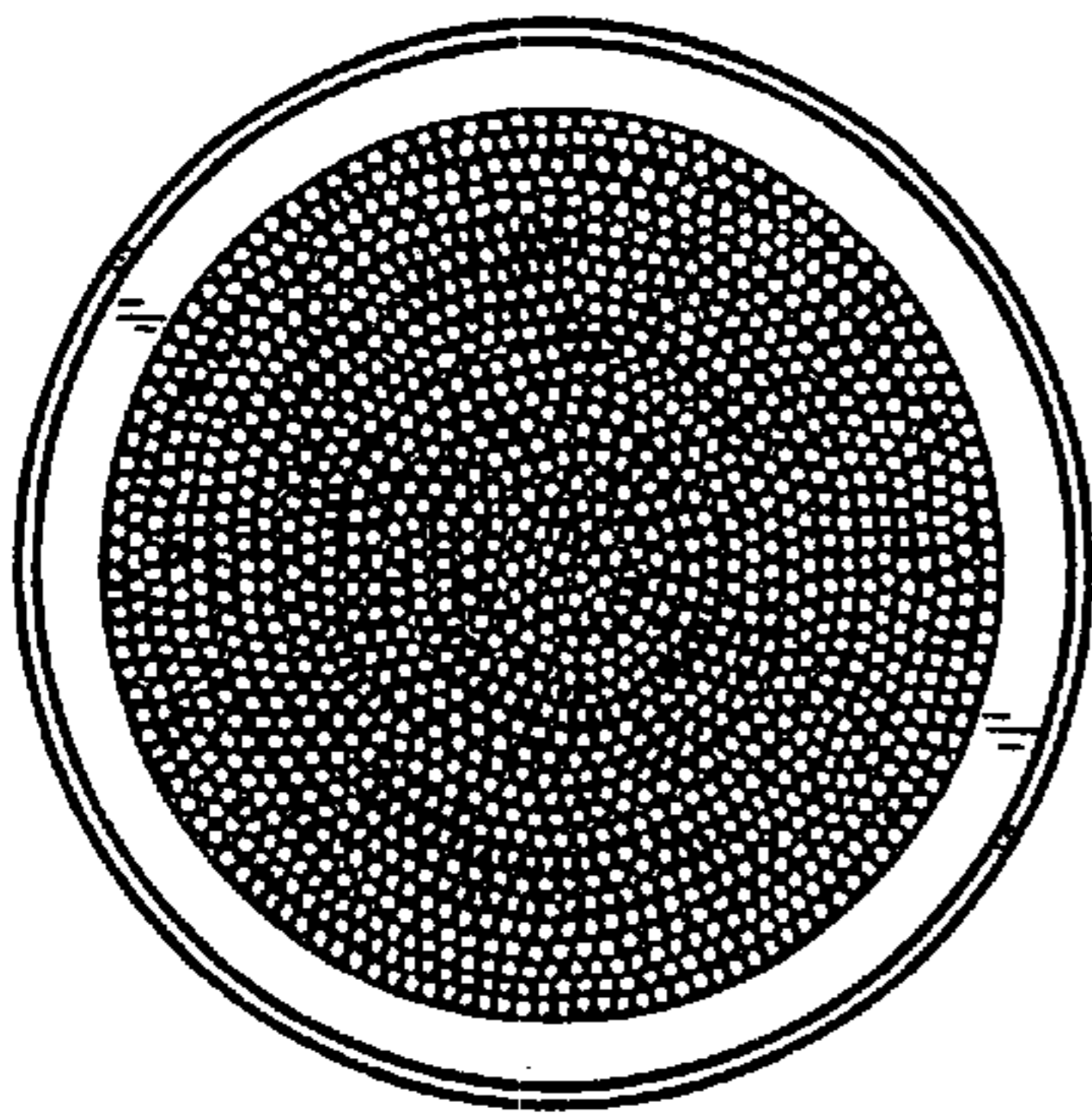


FIG. 57

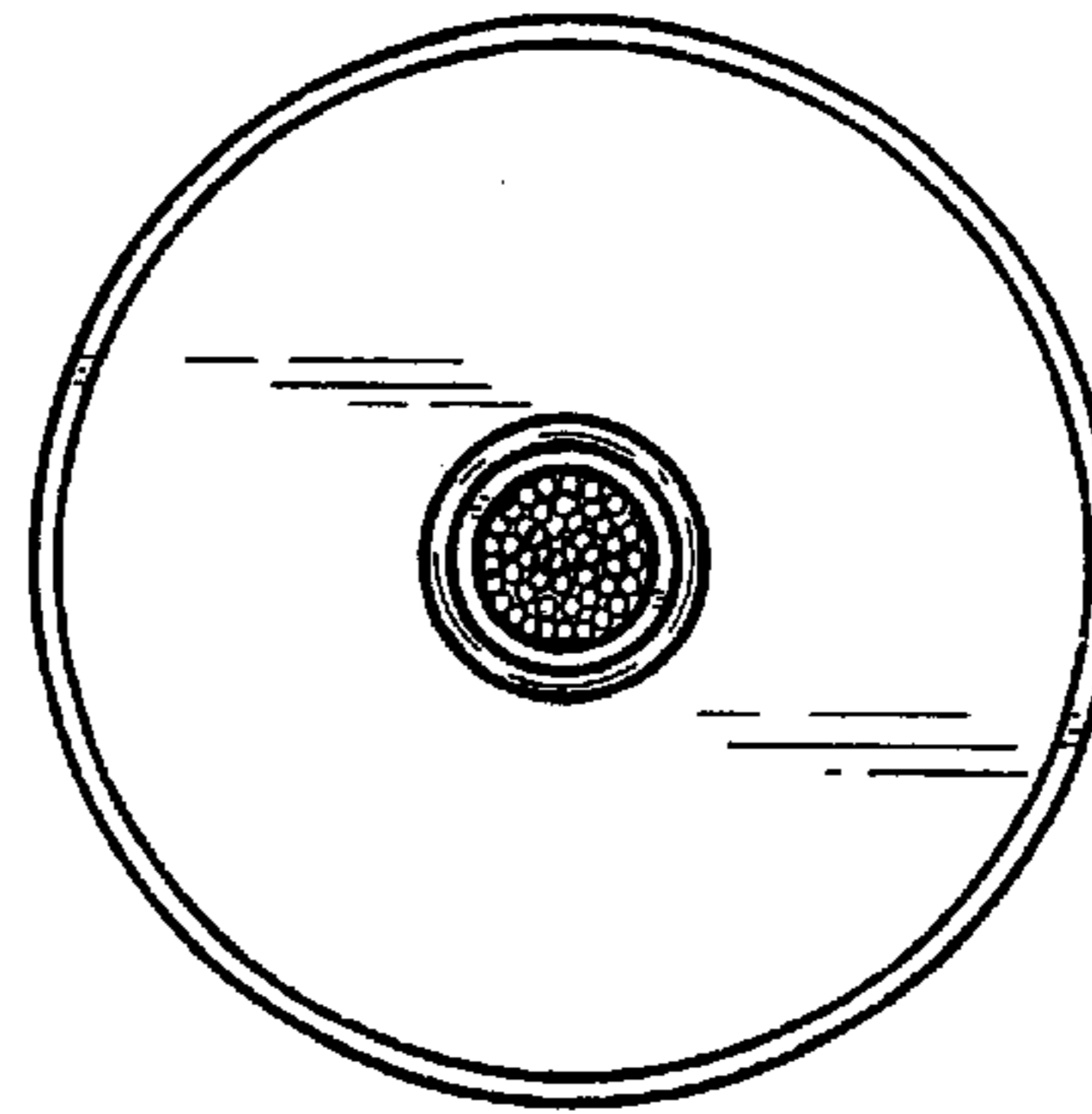


FIG. 58

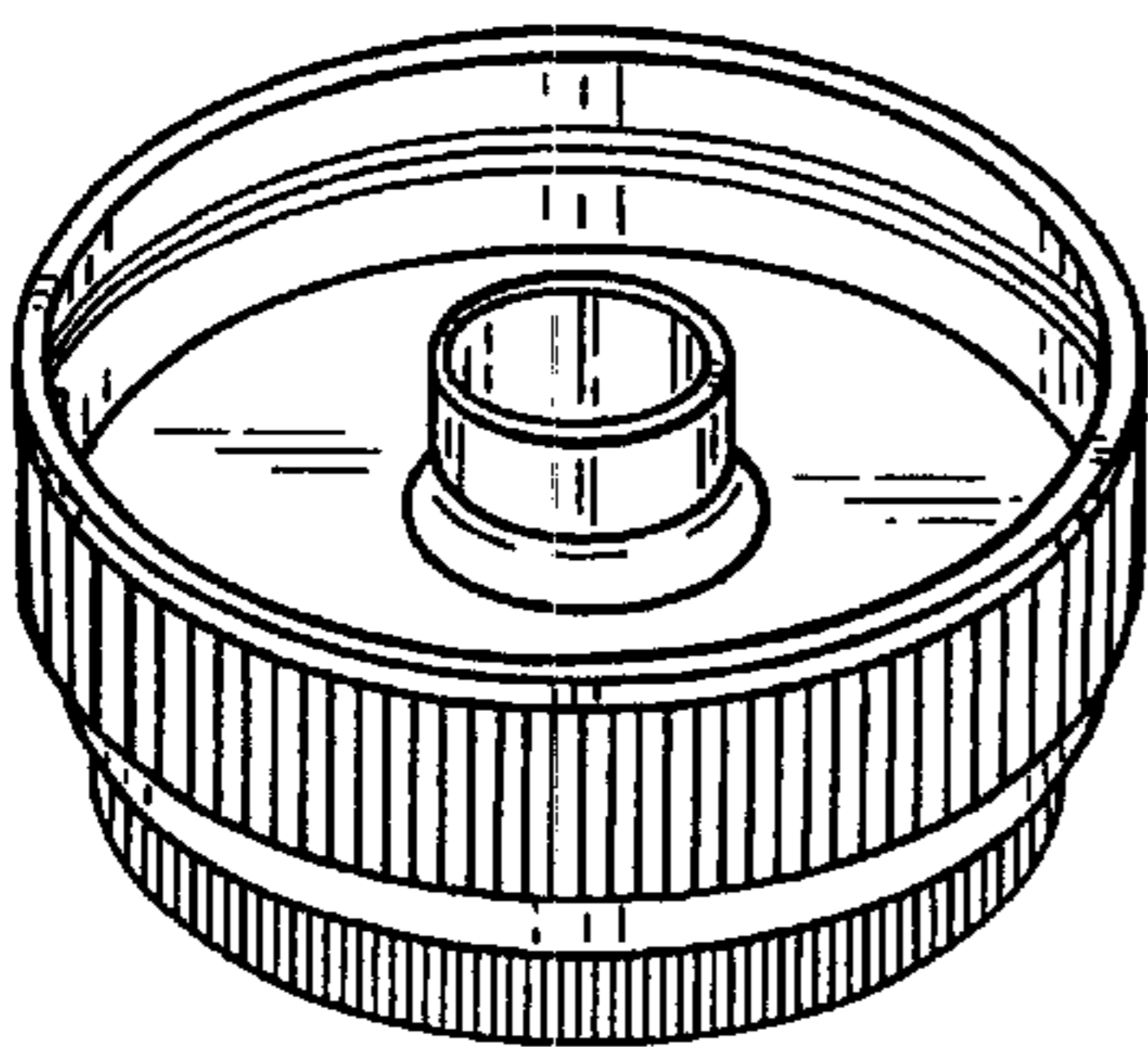


FIG. 59

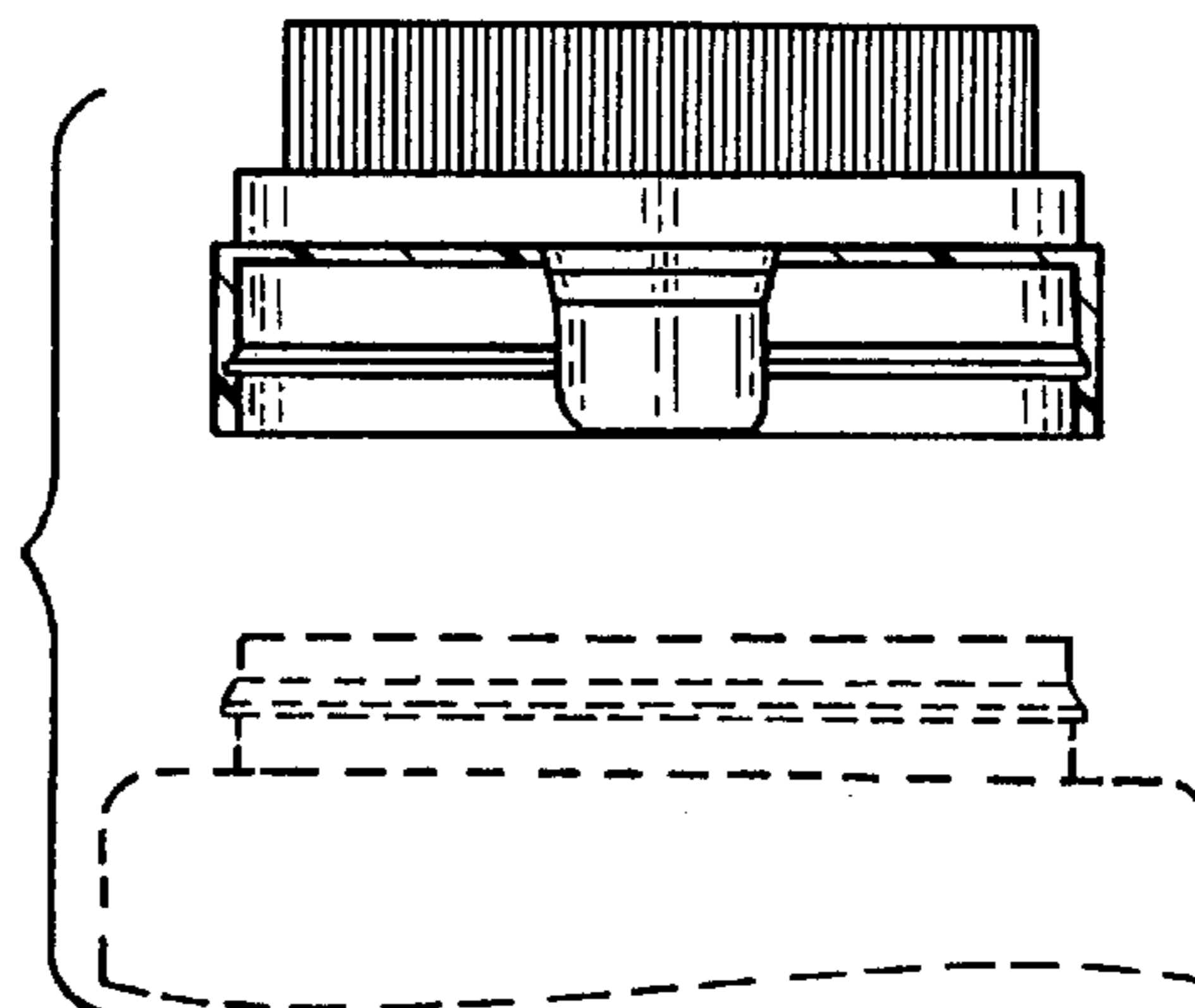


FIG. 60

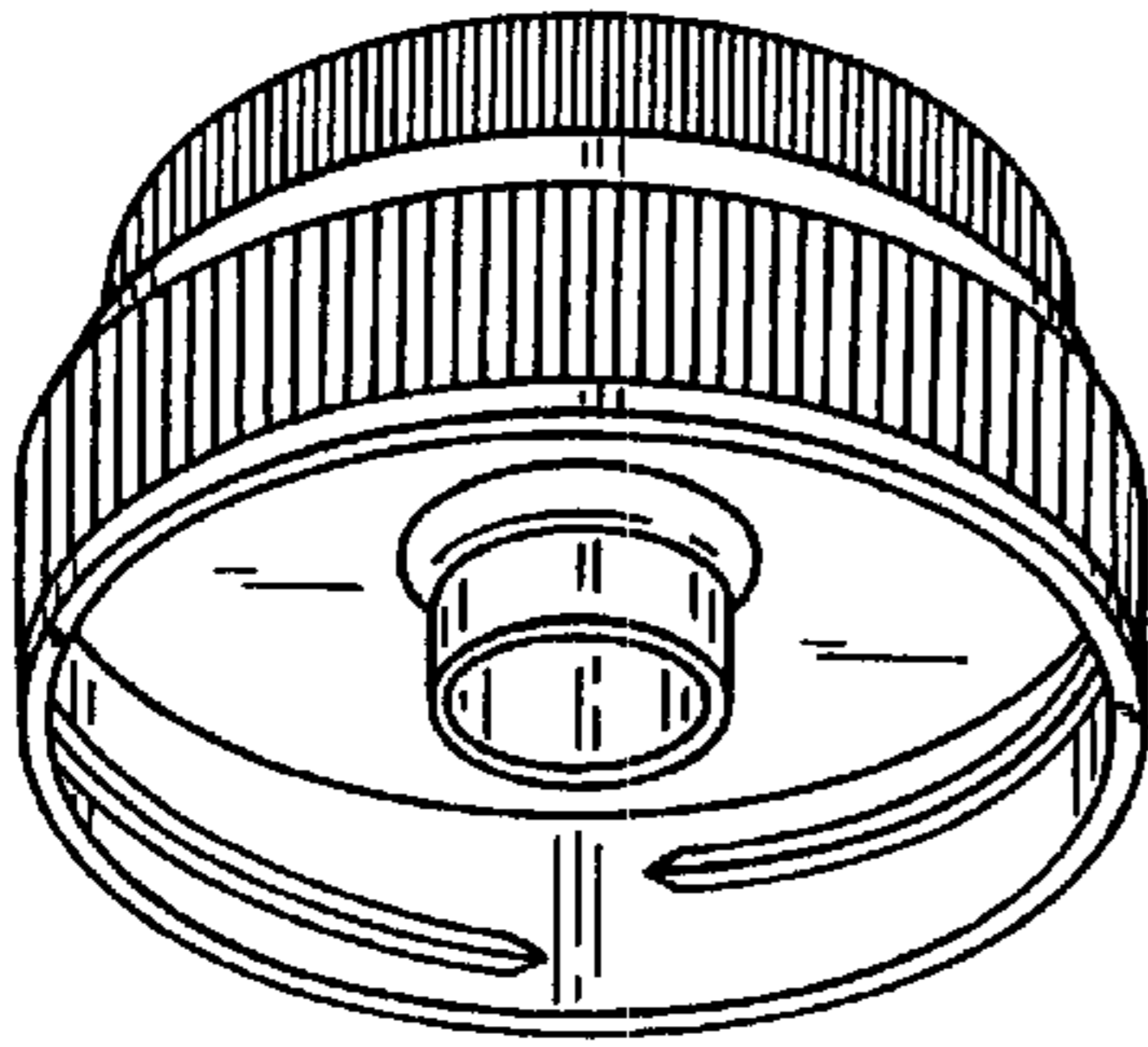


FIG. 61

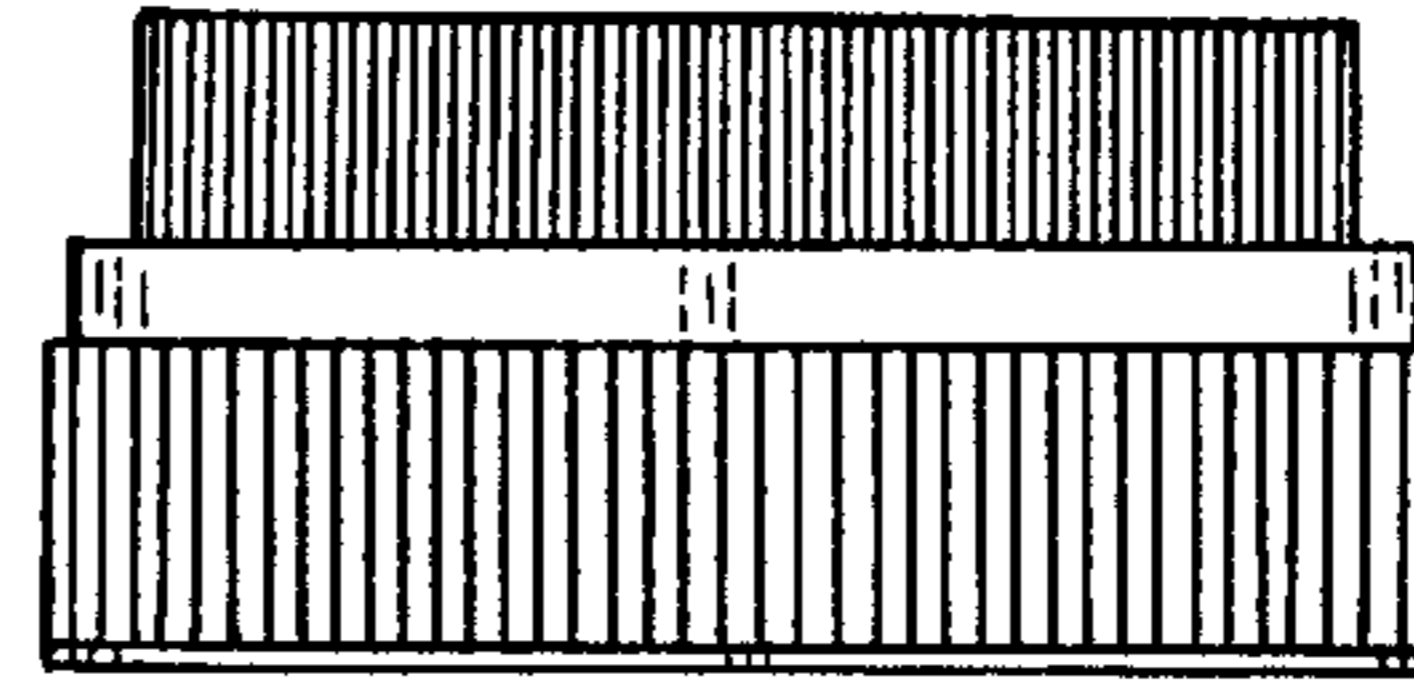


FIG. 62

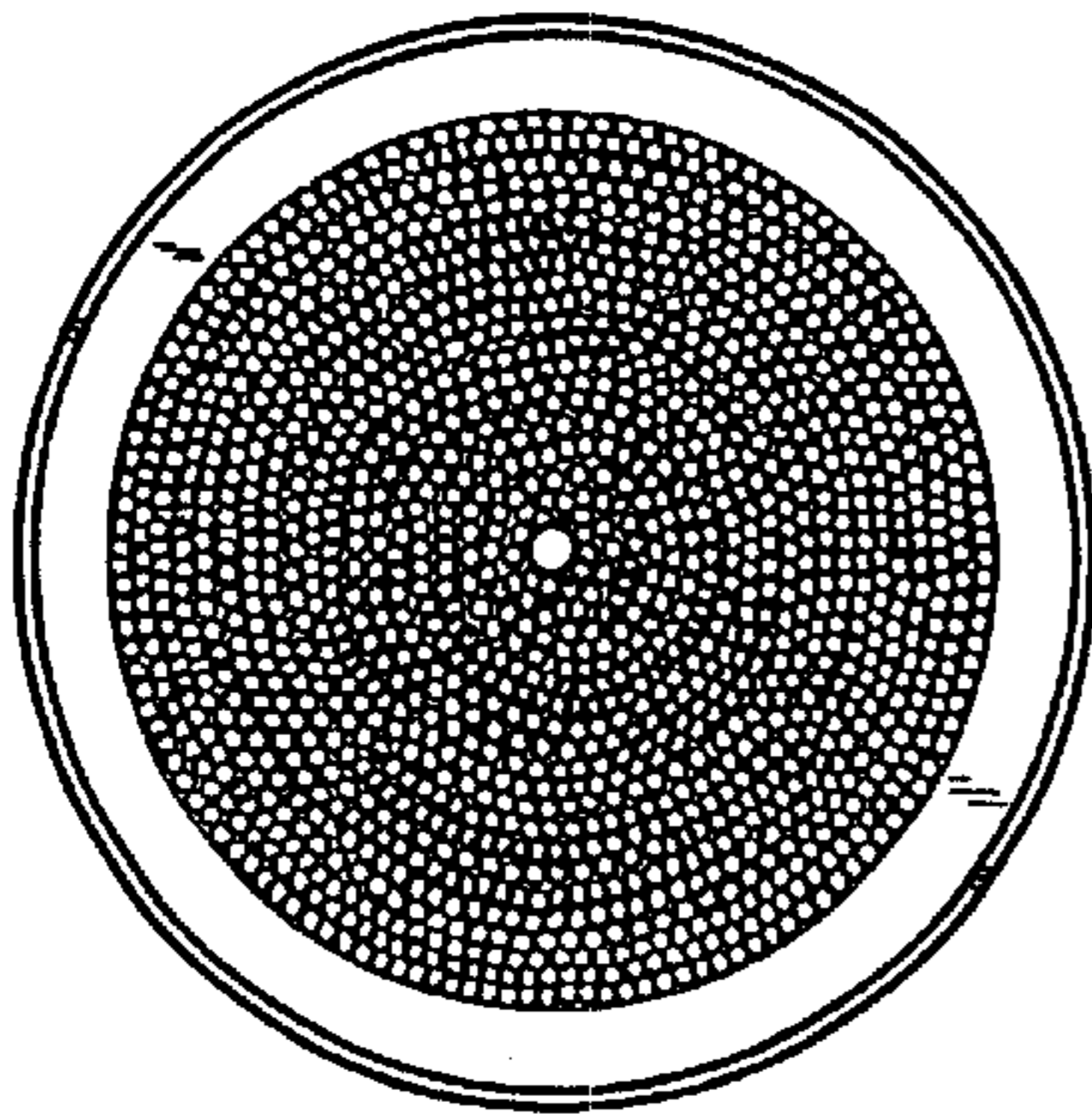


FIG. 63

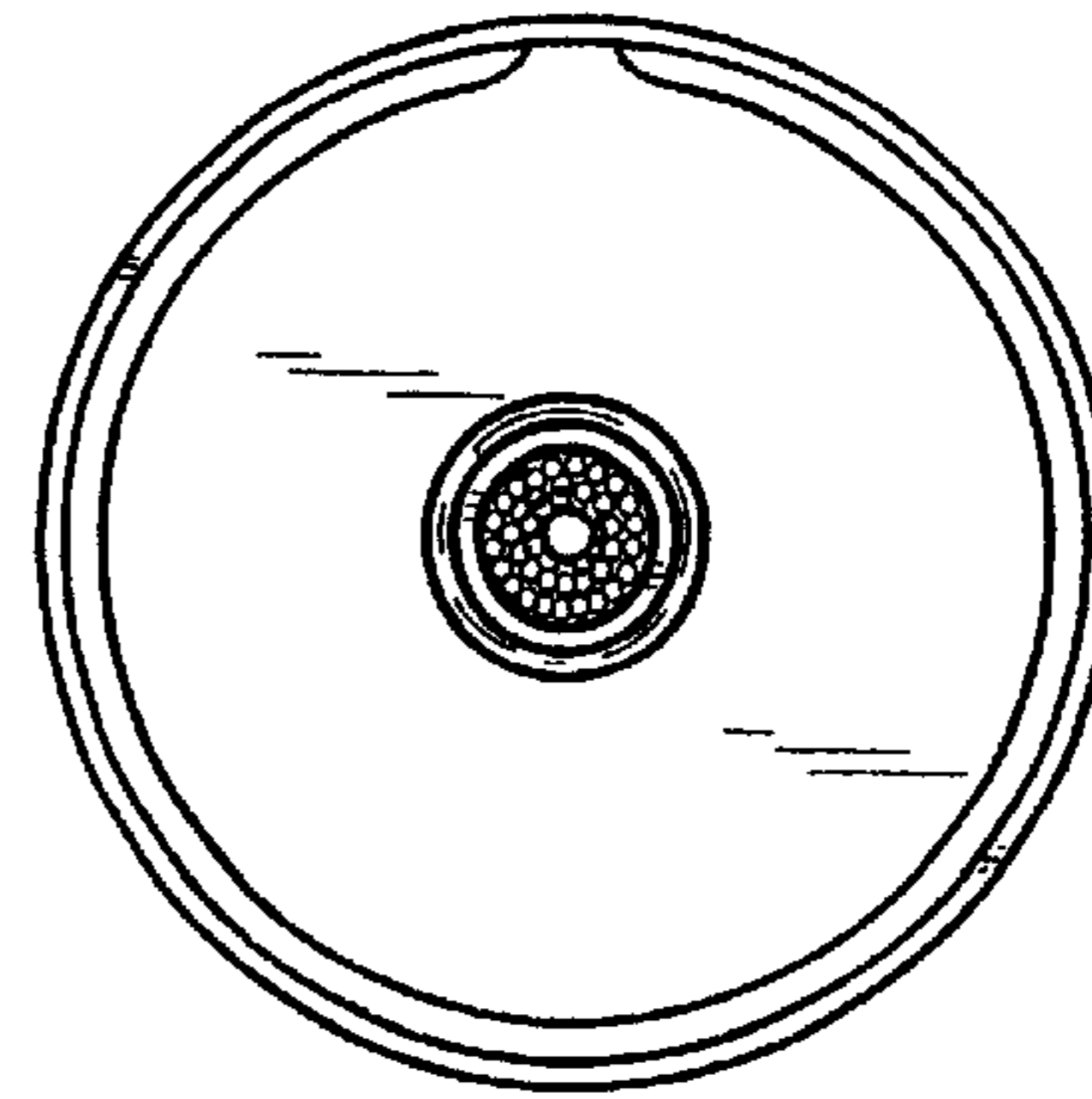


FIG. 64

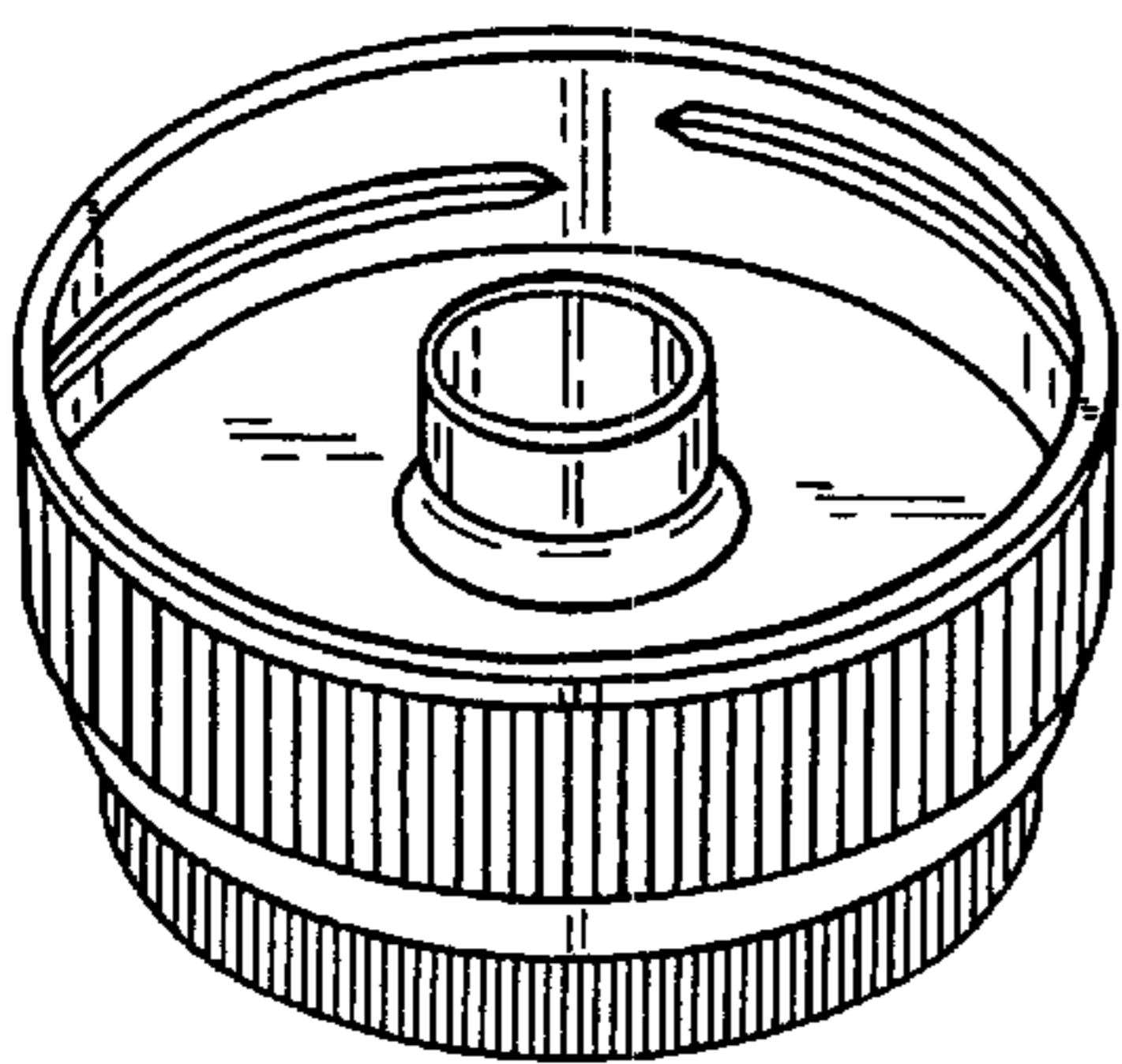


FIG. 65

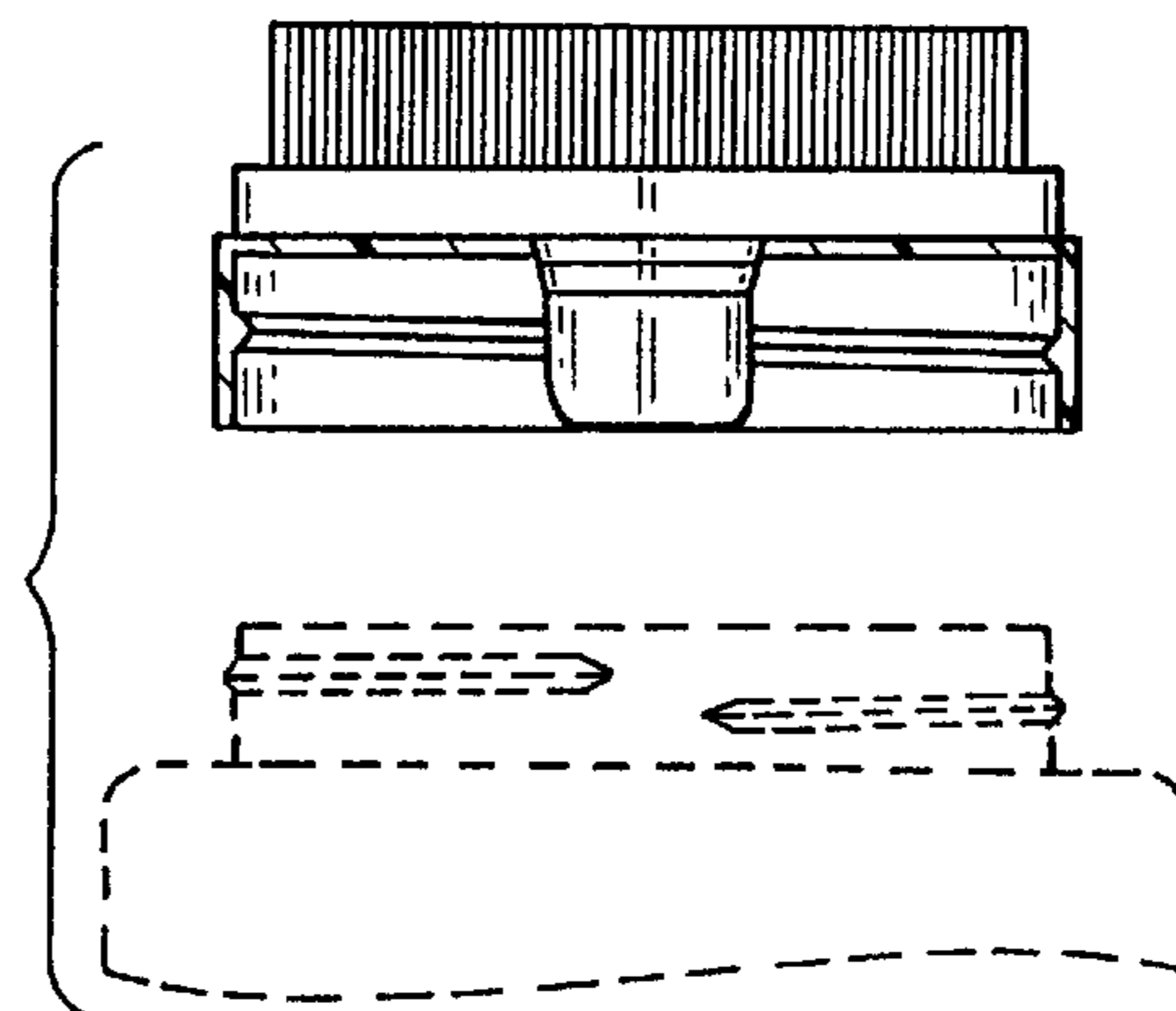


FIG. 66

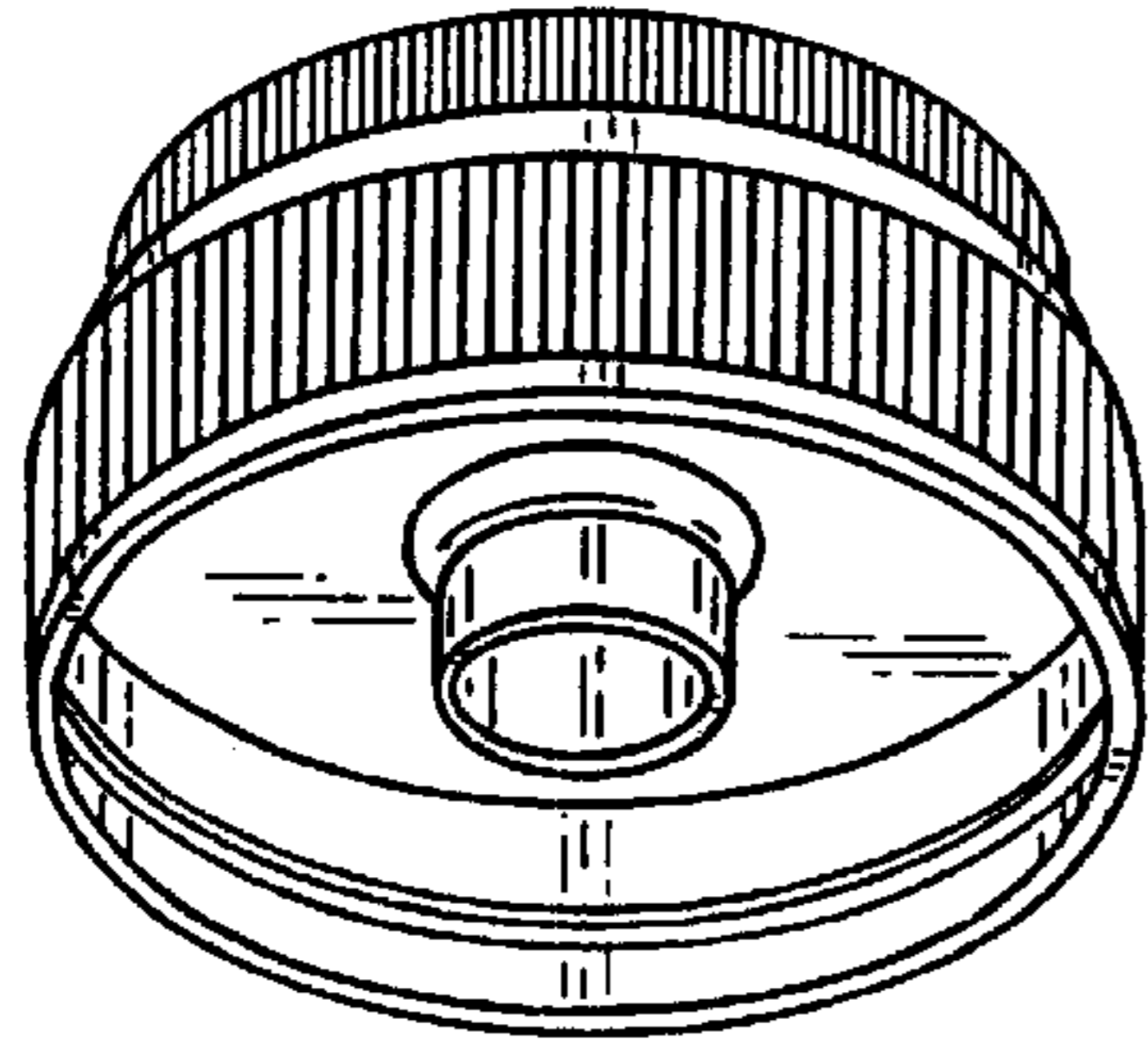


FIG. 67

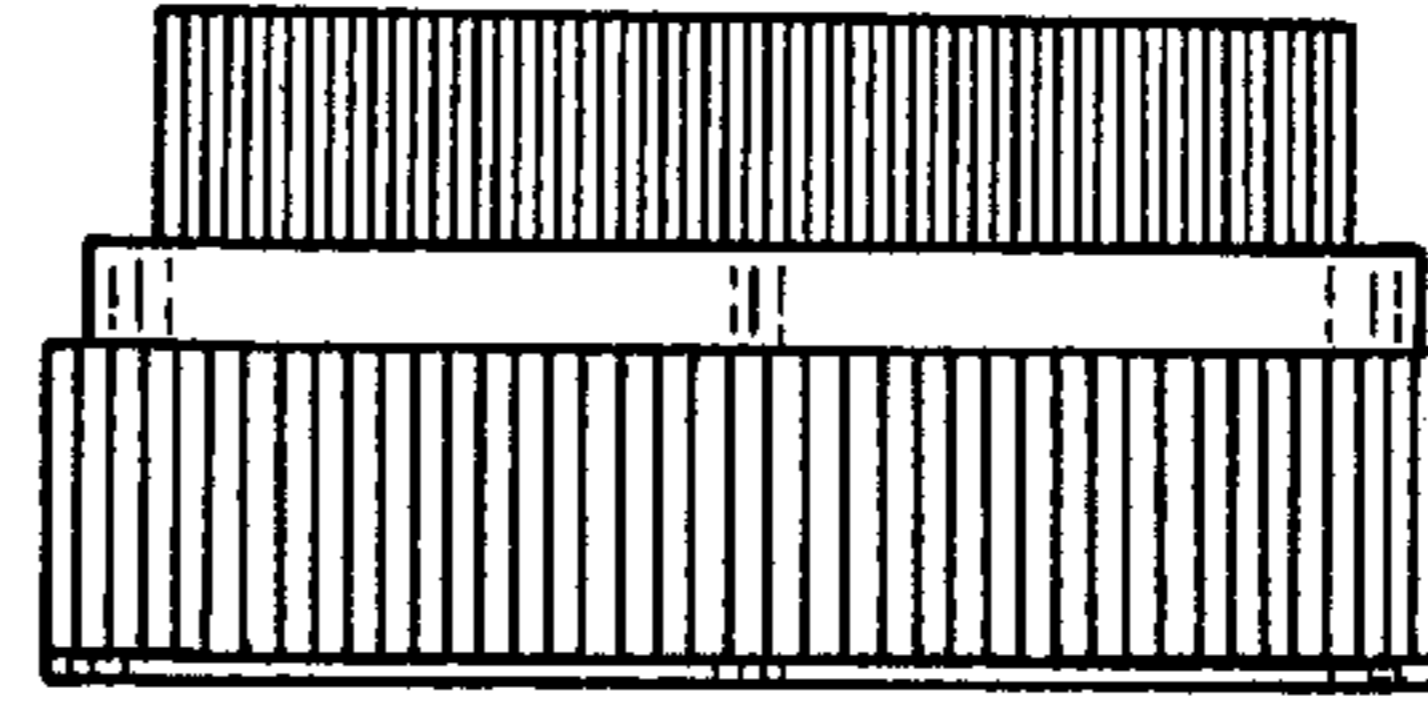


FIG. 68

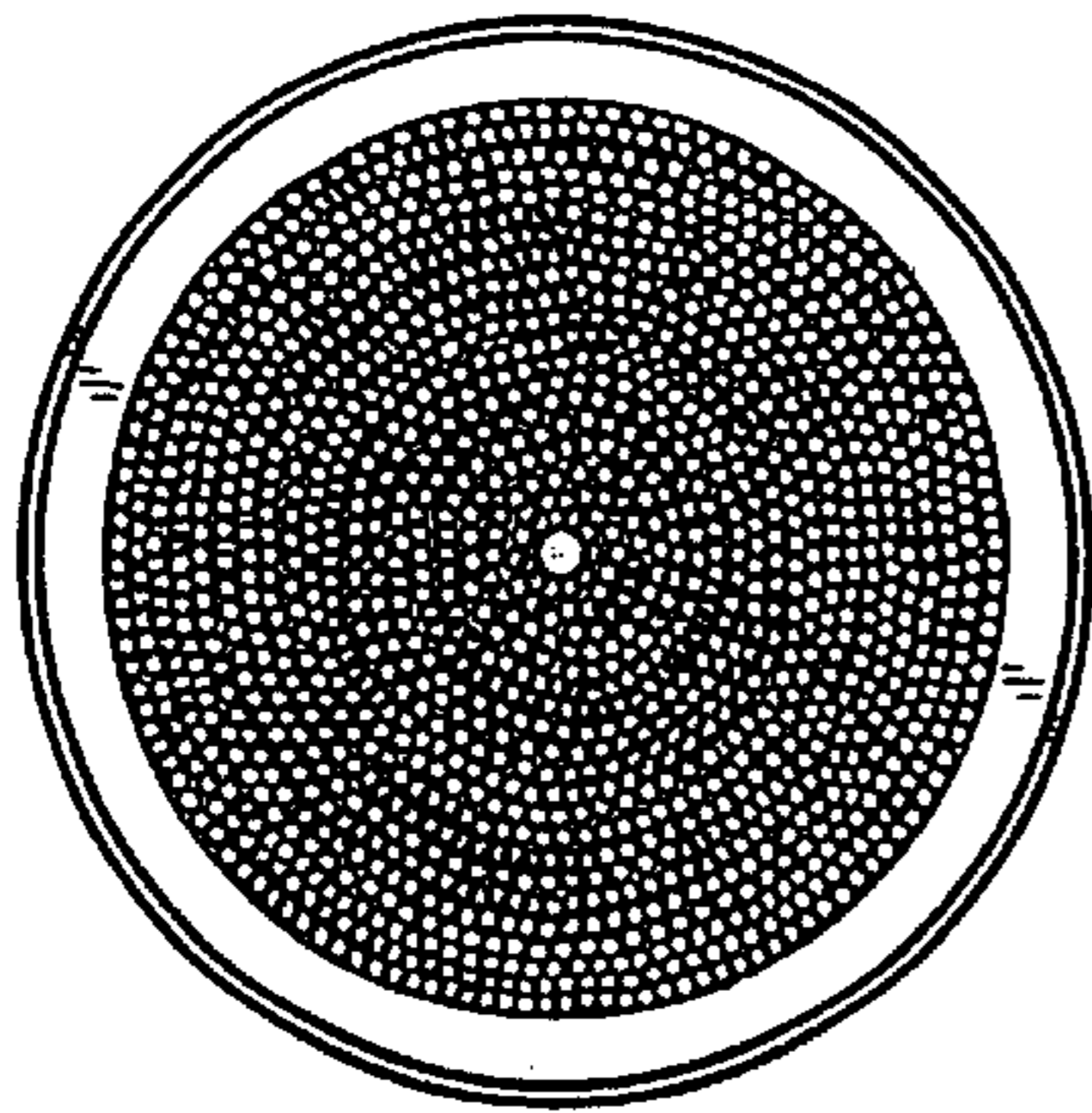


FIG. 69

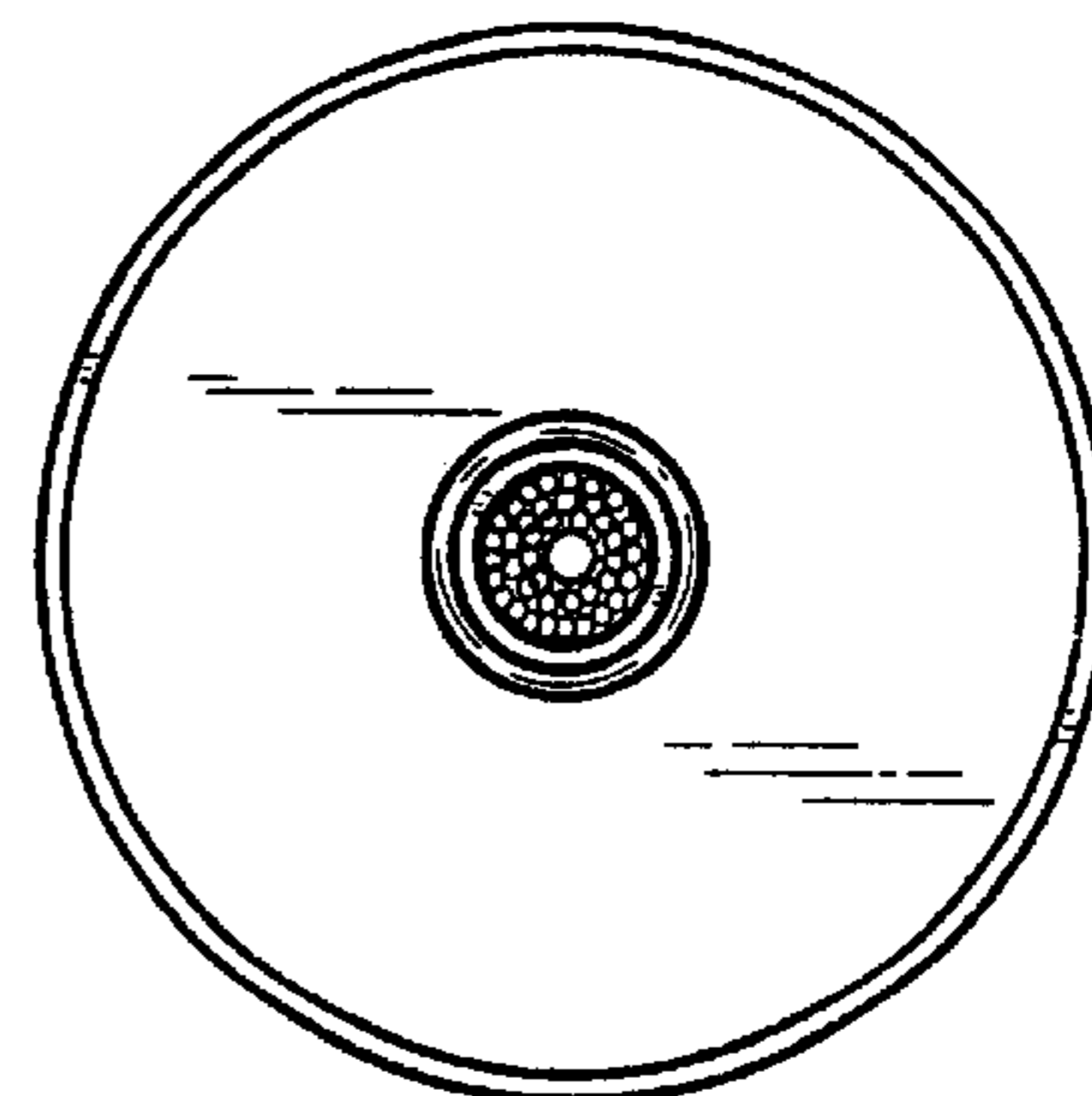


FIG. 70

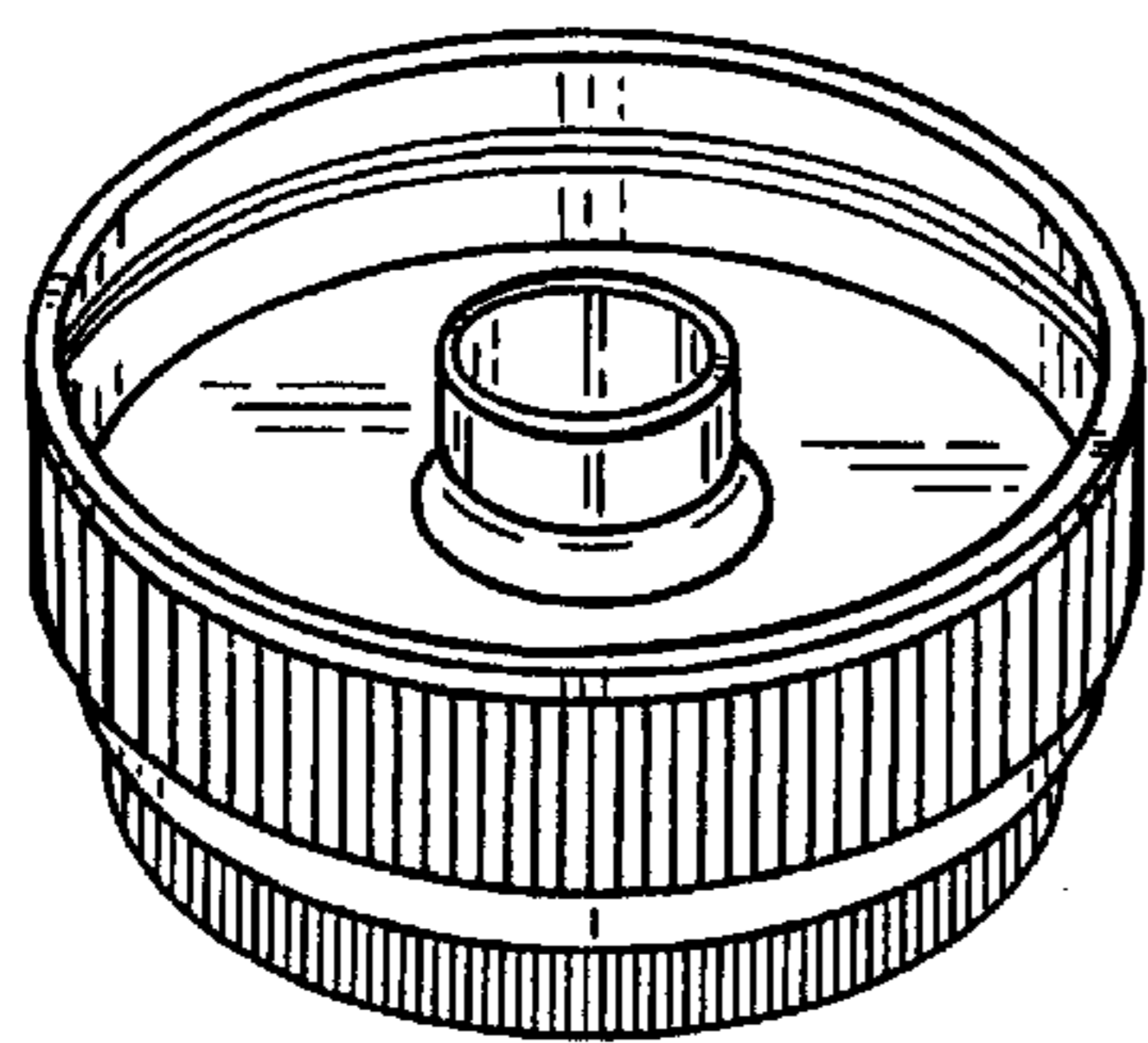


FIG. 71

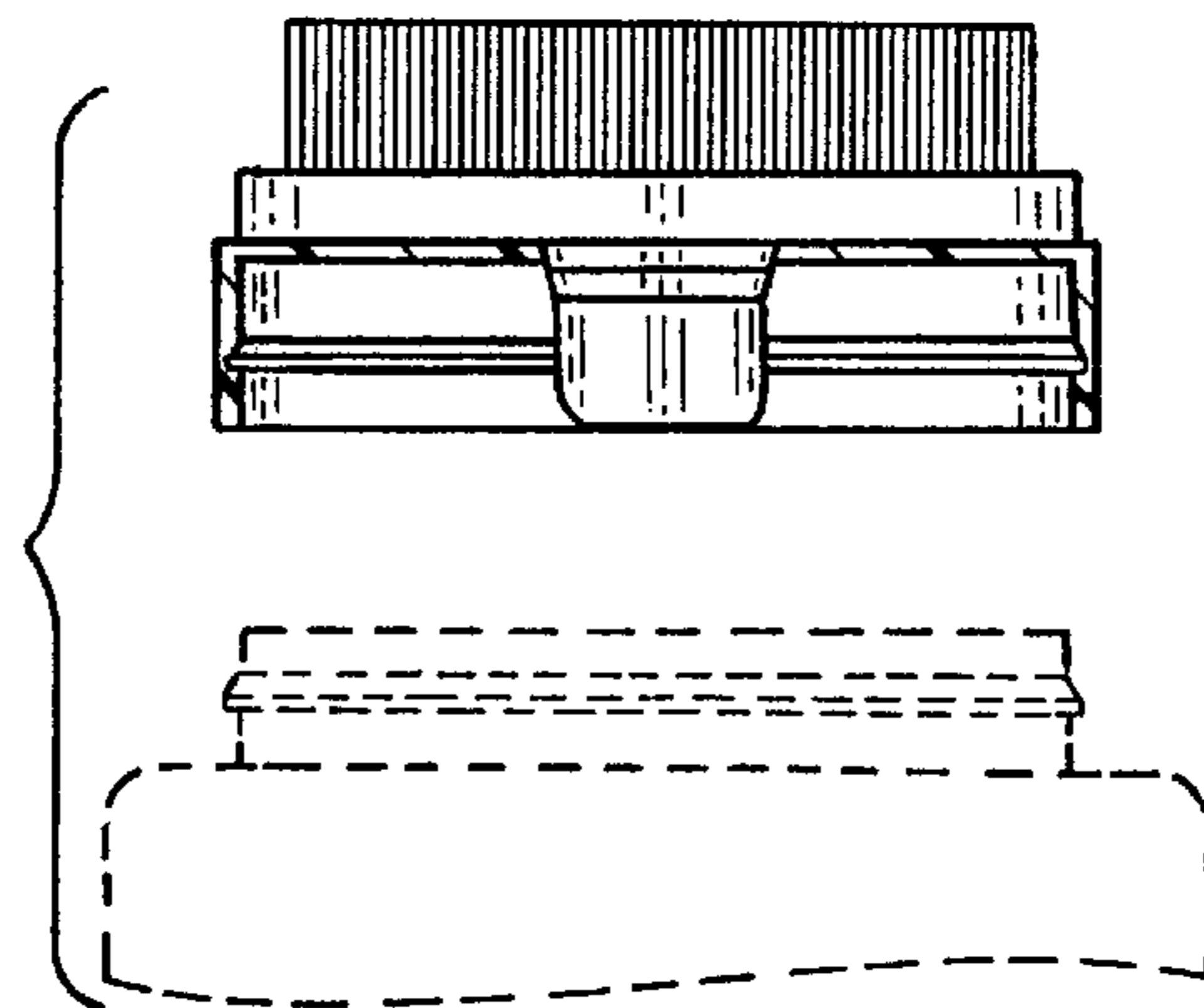


FIG. 72