



US00D536476S

(12) **United States Design Patent**
Jackson et al.

(10) **Patent No.:** **US D536,476 S**

(45) **Date of Patent:** **** Feb. 6, 2007**

(54) **STATUETTE LIGHT**

6,764,205 B2 * 7/2004 Peloquin 362/806

(75) Inventors: **Trevor Jackson**, Kirtland, OH (US);
Patrick Coyne, Shaker, OH (US)

* cited by examiner

(73) Assignee: **Emerald Innovations L.L.C.**, Butler,
PA (US)

Primary Examiner—Alan P. Douglas

Assistant Examiner—Linda Brooks

(**) Term: **14 Years**

(74) *Attorney, Agent, or Firm*—Calfee, Halter & Griswold
LLP

(21) Appl. No.: **29/239,262**

(57) **CLAIM**

The ornamental design for a statuette light, as shown and
described.

(22) Filed: **Sep. 28, 2005**

DESCRIPTION

(51) **LOC (8) Cl.** **26-03**

(52) **U.S. Cl.** **D26/99**

(58) **Field of Classification Search** D26/37,
D26/57, 94, 98, 99, 47; 362/410–415, 195,
362/253, 806, 808; D11/117, 129; D21/638;
428/7–9, 542.2; D6/399

FIG. 1 is a perspective view of a statuette light of the new
design;

FIG. 2 is a top plan view of the statuette light of FIG. 1;

FIG. 3 is a bottom plan view of the statuette light of FIG. 1;

FIG. 4 is a left side elevational view of the statuette light of
FIG. 1; and,

FIG. 5 is a right side elevational view of the statuette light
of FIG. 1.

See application file for complete search history.

The portions of the Figures shown in broken lines are not
part of the claimed design and are for illustration purposes
only.

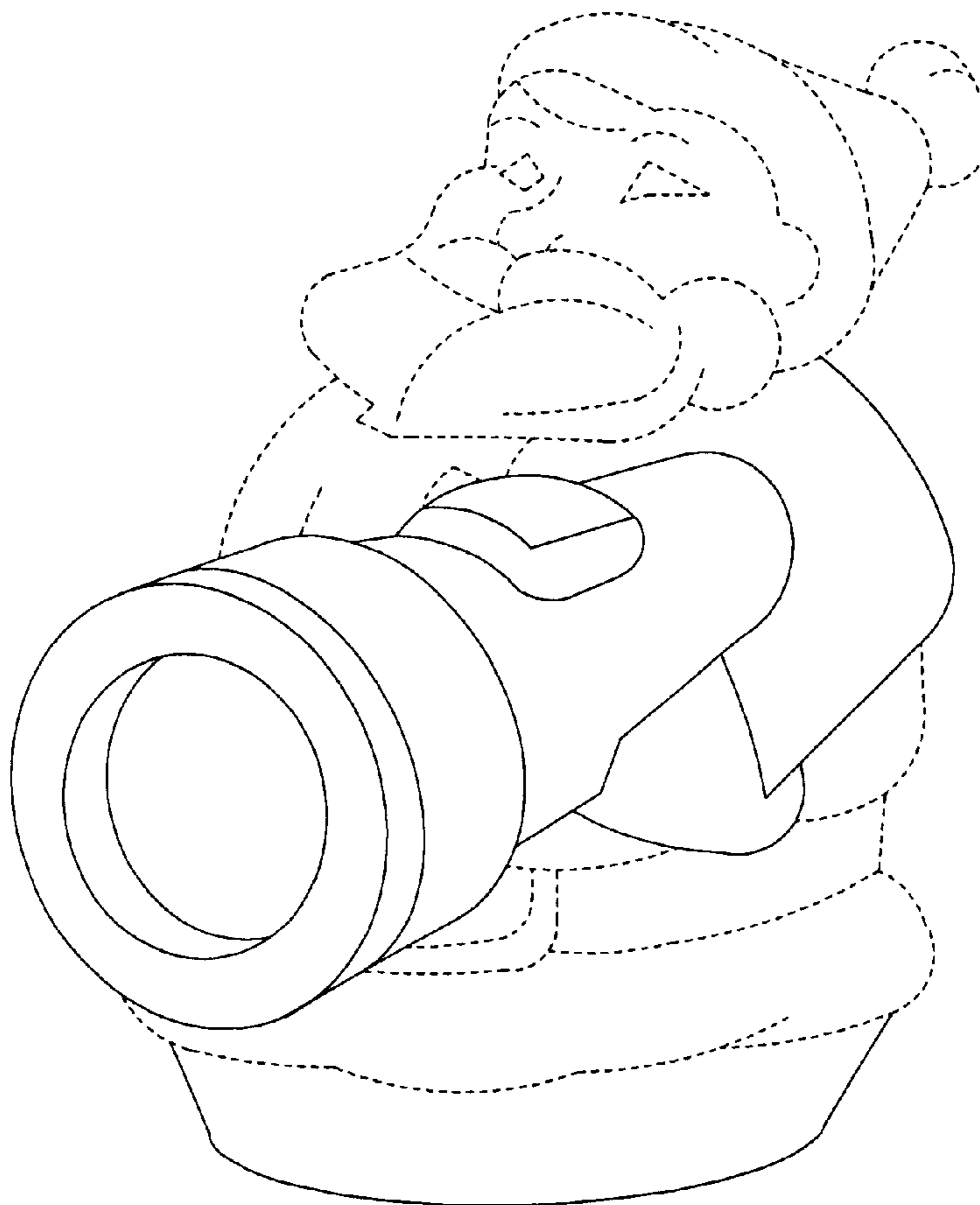
(56) **References Cited**

U.S. PATENT DOCUMENTS

D315,221 S * 3/1991 Chao et al. D21/638

D492,058 S * 6/2004 Lee D26/99

1 Claim, 2 Drawing Sheets



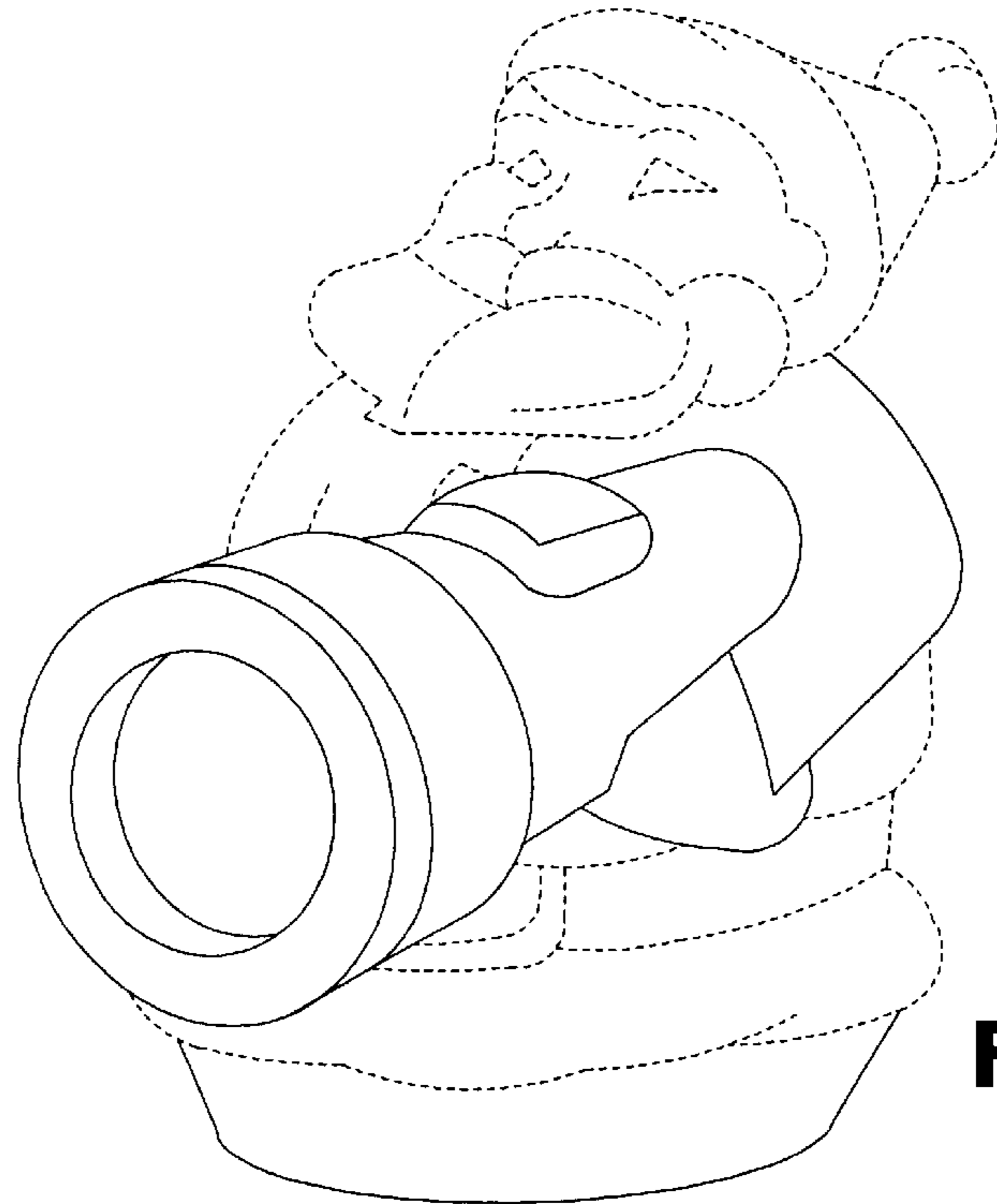


FIG. 1

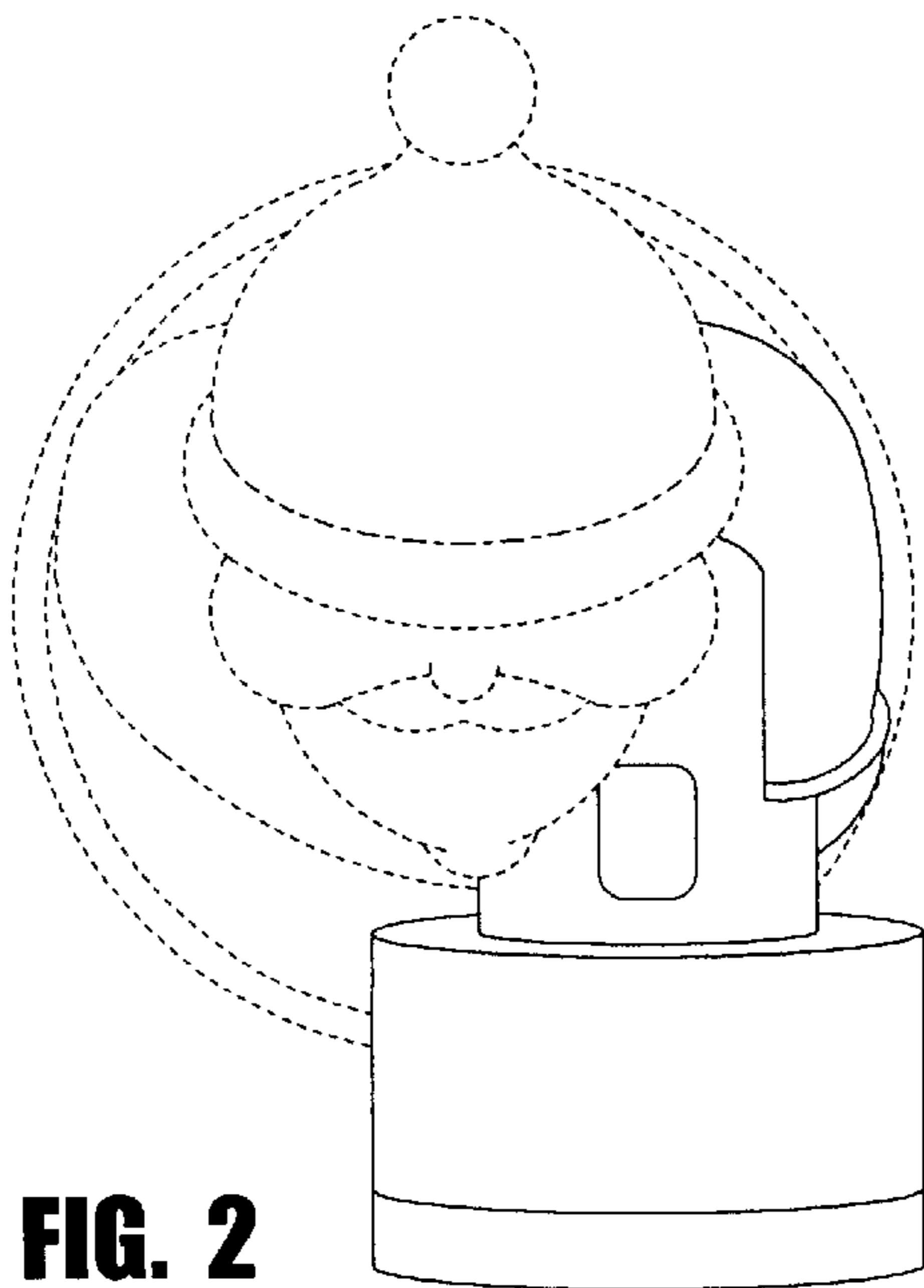


FIG. 2

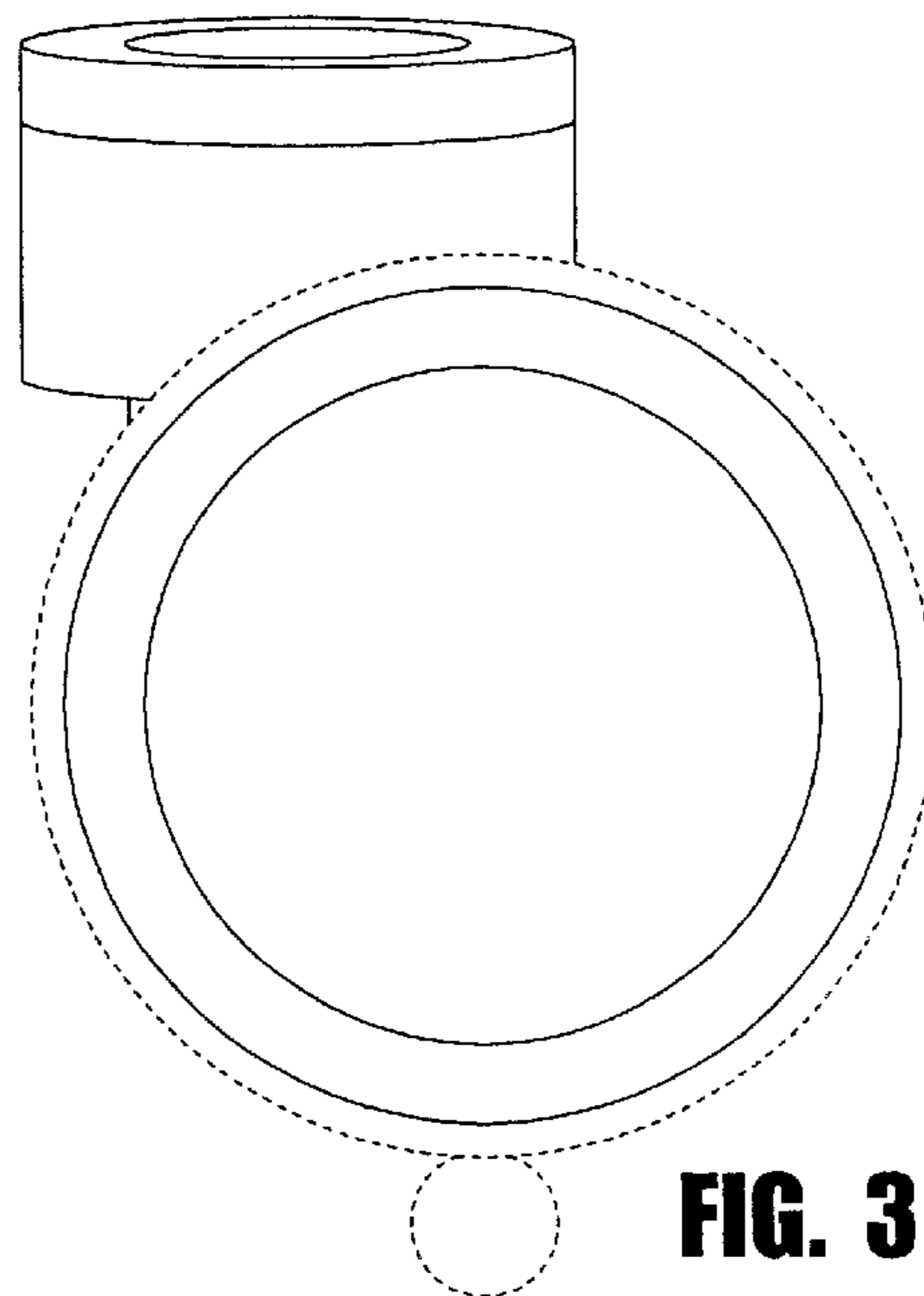


FIG. 3

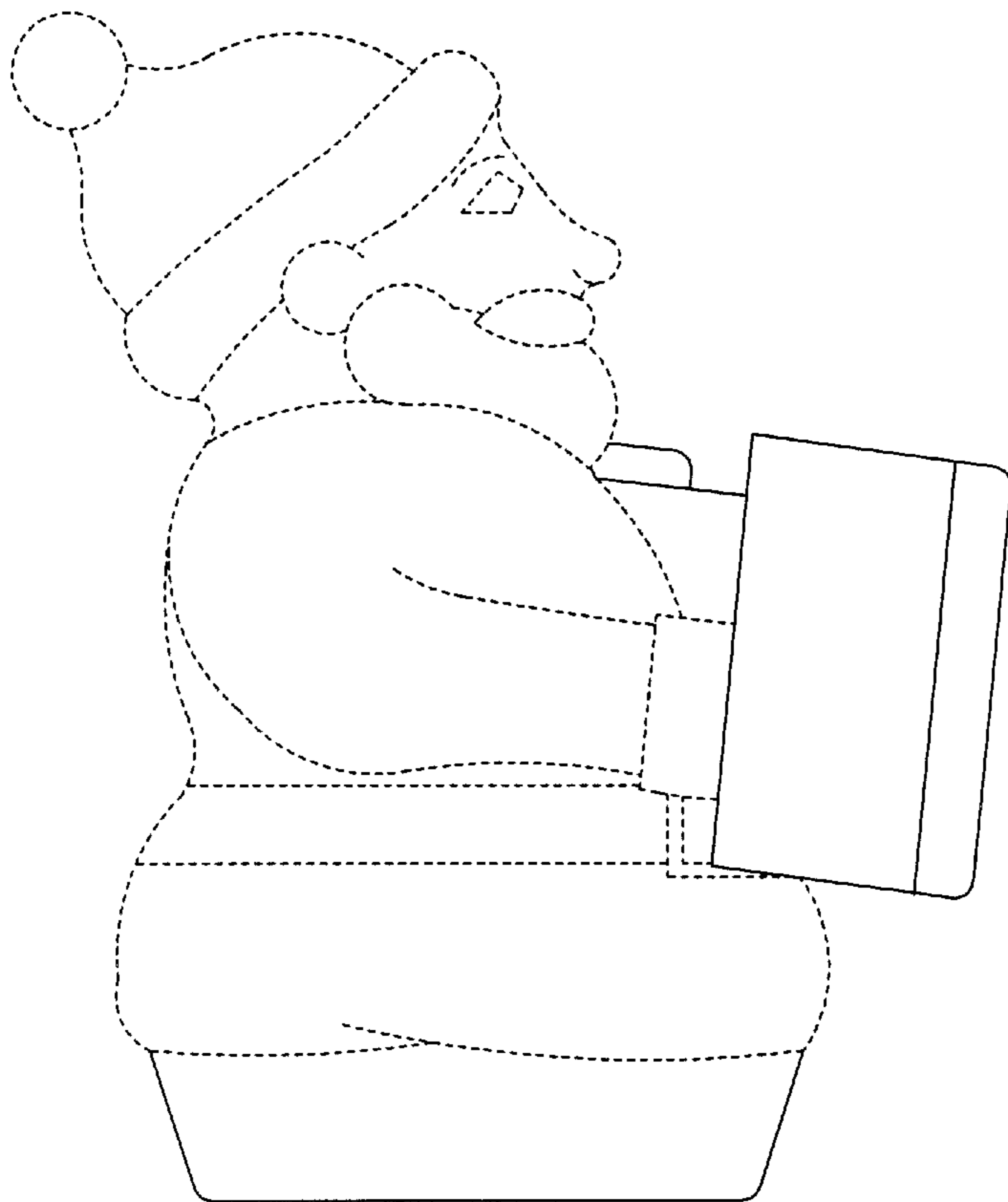


FIG. 4

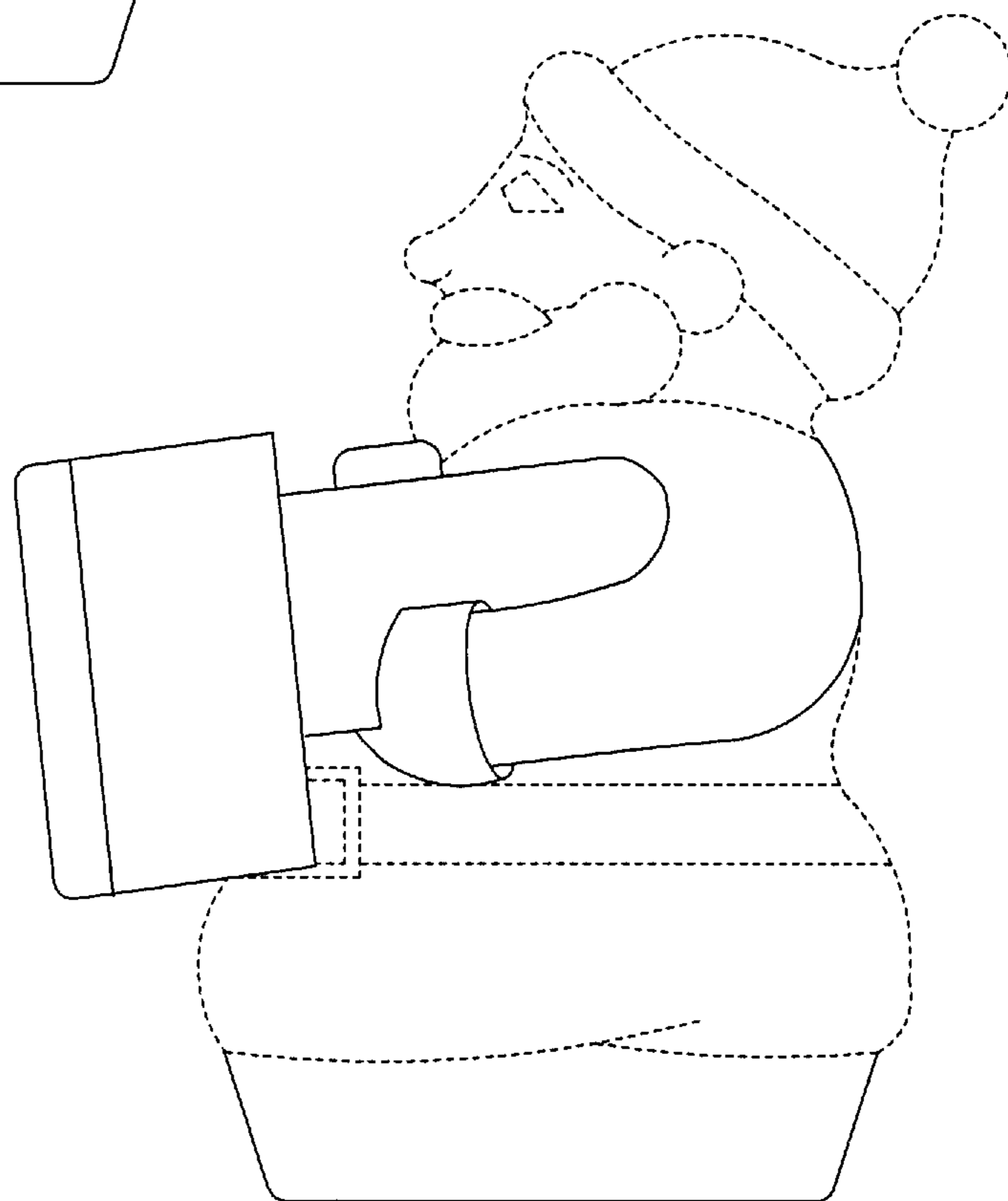


FIG. 5