



US00D536475S

(12) **United States Design Patent**
Nunes

(10) **Patent No.:** **US D536,475 S**

(45) **Date of Patent:** **** Feb. 6, 2007**

(54) **EXCAVATOR-SIMULATING DESK LAMP**

(76) **Inventor:** **Brendon Nunes**, 467 Westney Rd., S.,
Unit 3, Ajax, Ontario (CA), L136V7

(**) **Term:** **14 Years**

(21) **Appl. No.:** **29/236,950**

(22) **Filed:** **Aug. 24, 2005**

(51) **LOC (8) Cl.** **26-03**

(52) **U.S. Cl.** **D26/97**

(58) **Field of Classification Search** D26/51,
D26/57, 93, 94, 97; 362/410-414, 806; D21/431,
D21/537, 539; 446/431, 433, 434, 438, 429
See application file for complete search history.

(56) **References Cited**

U.S. PATENT DOCUMENTS

D288,341 S	2/1987	Ohno	
D356,654 S *	3/1995	Chiang D26/97
5,535,532 A	7/1996	Fujii et al.	
D481,153 S	10/2003	Wilson	
D488,883 S	4/2004	Davis	

OTHER PUBLICATIONS

Norscot Scale Models Brochure, selected pages.
Kenroy International Model 20912 Instruction Sheet and
Photograph on Box, Jan. 1996.

* cited by examiner

Primary Examiner—Alan P. Douglas

Assistant Examiner—Linda Brooks

(74) *Attorney, Agent, or Firm*—Robert Vanderhye

(57) **CLAIM**

The ornamental design for an excavator-simulating desk lamp, as shown and described.

DESCRIPTION

FIG. 1 is a top-side perspective view of an excavator-simulating desk lamp showing my new design;

FIG. 2 is a bottom-side perspective view of the opposite side shown in FIG. 1;

FIG. 3 is a right side elevational view thereof;

FIG. 4 is a front elevational view thereof;

FIG. 5 is a left side elevational view thereof;

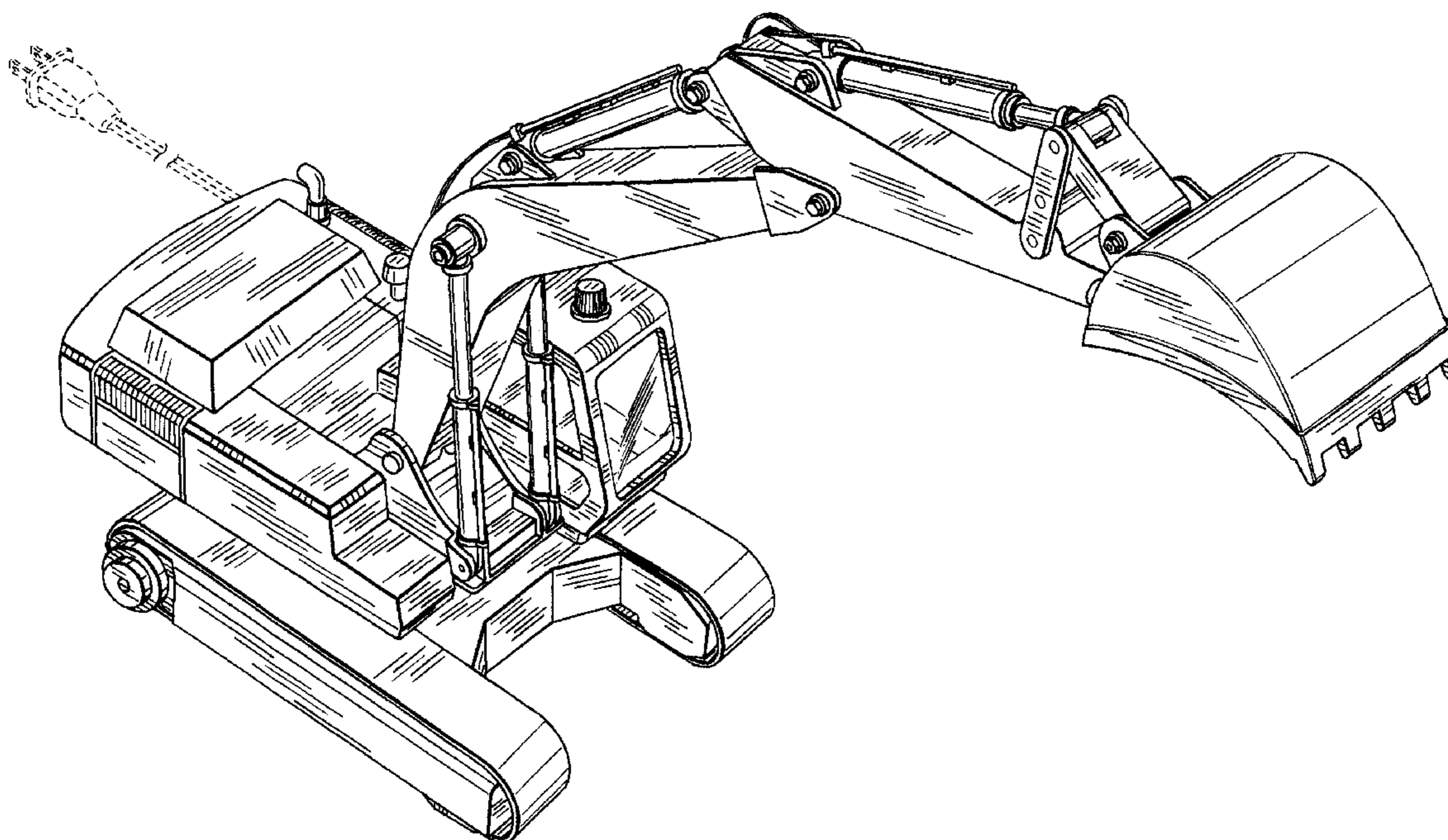
FIG. 6 is a rear elevational view thereof;

FIG. 7 is a top plan view thereof; and,

FIG. 8 is a bottom plan view thereof.

The portions of the drawings provided by broken line are intended to reflect environment, and do not form a part of the indicated embodiment of my design.

1 Claim, 6 Drawing Sheets



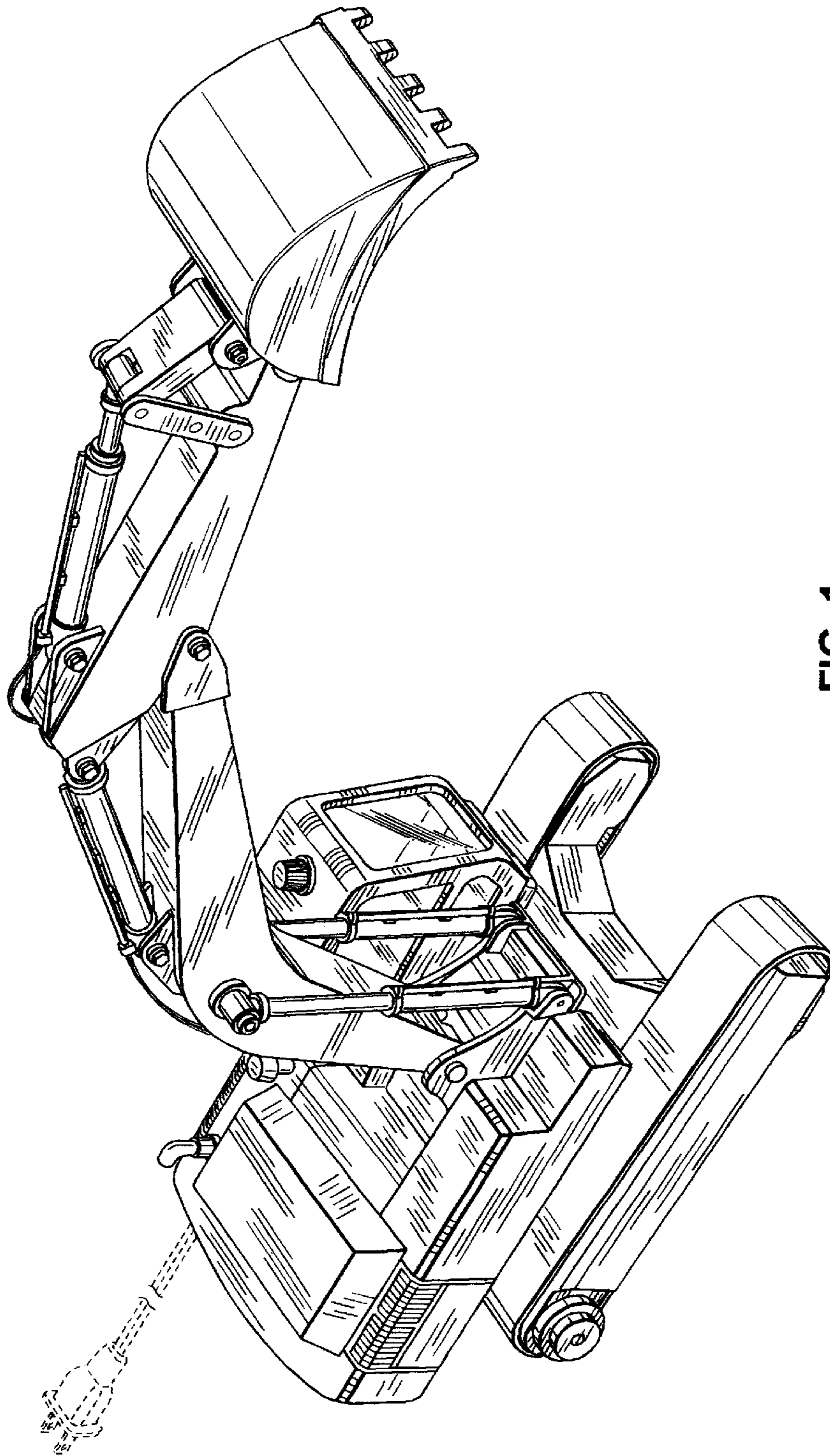


FIG. 1

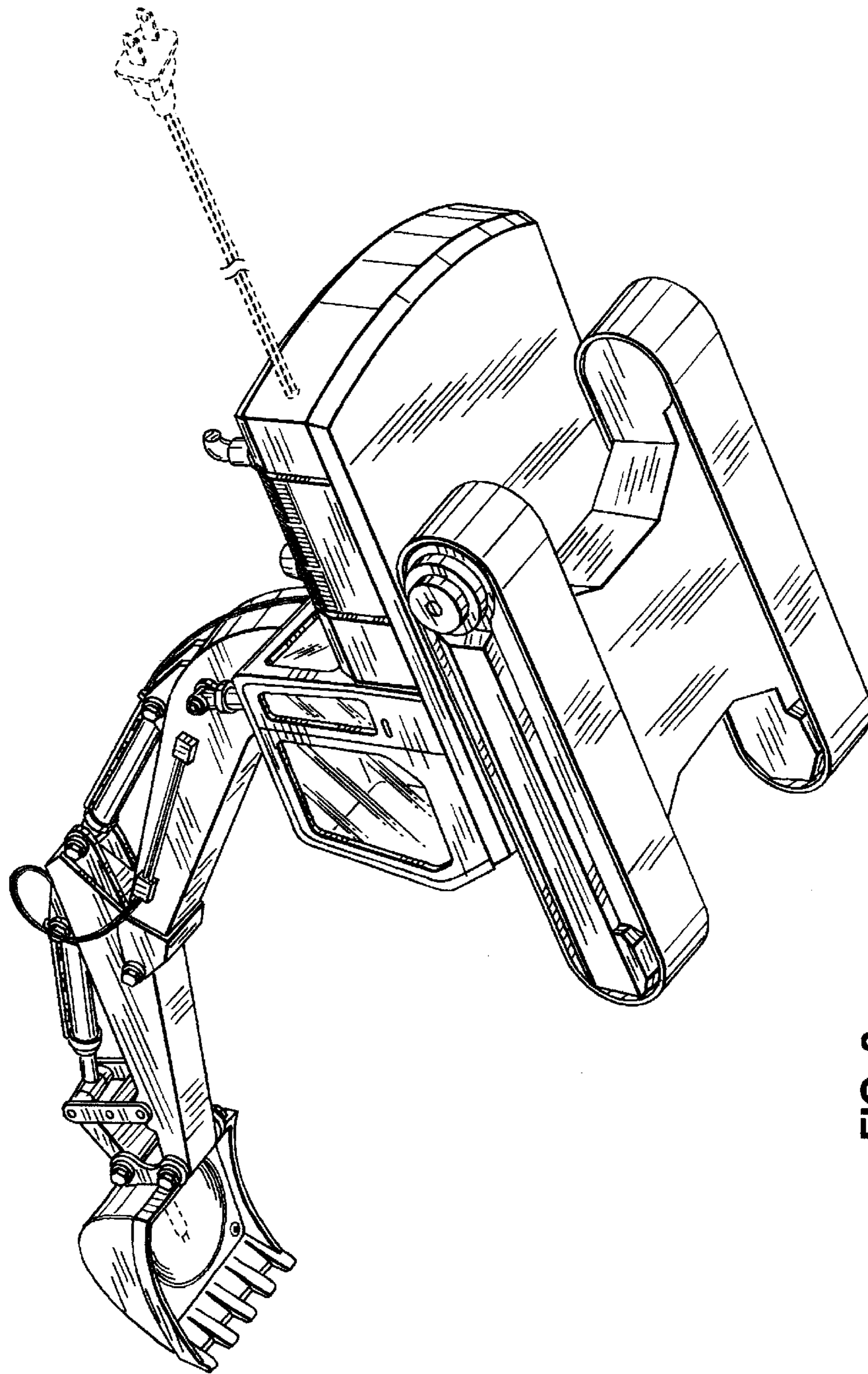


FIG. 2

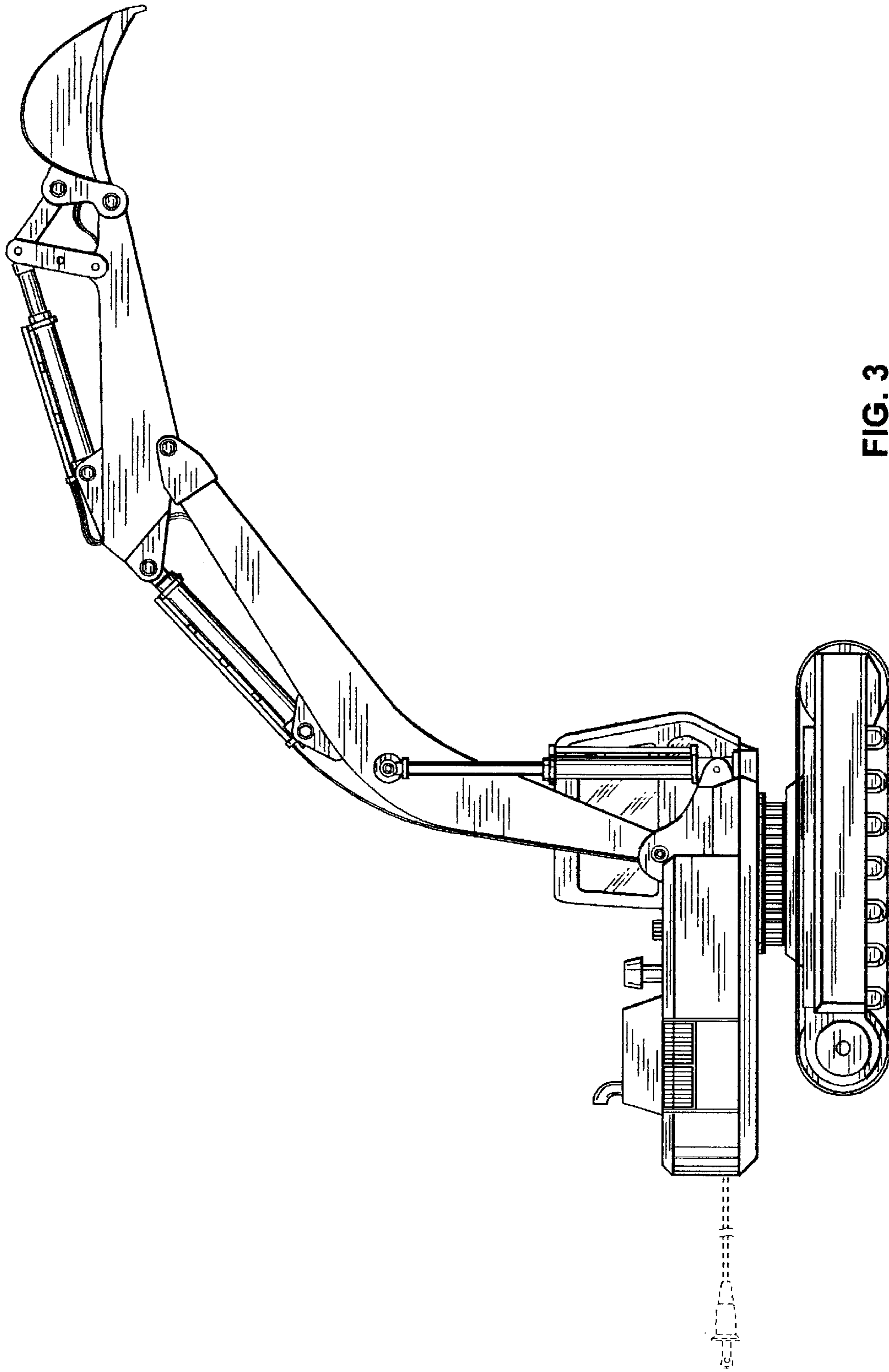


FIG. 3

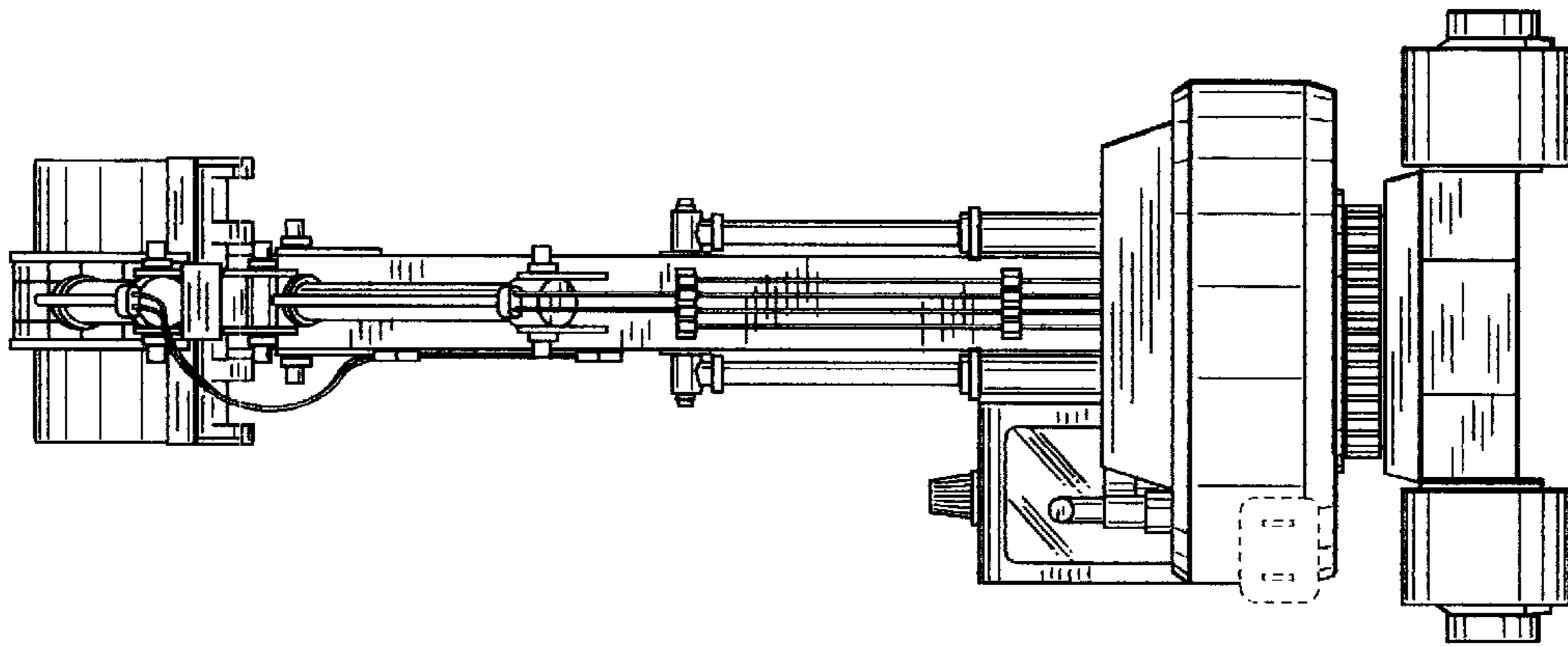


FIG. 6

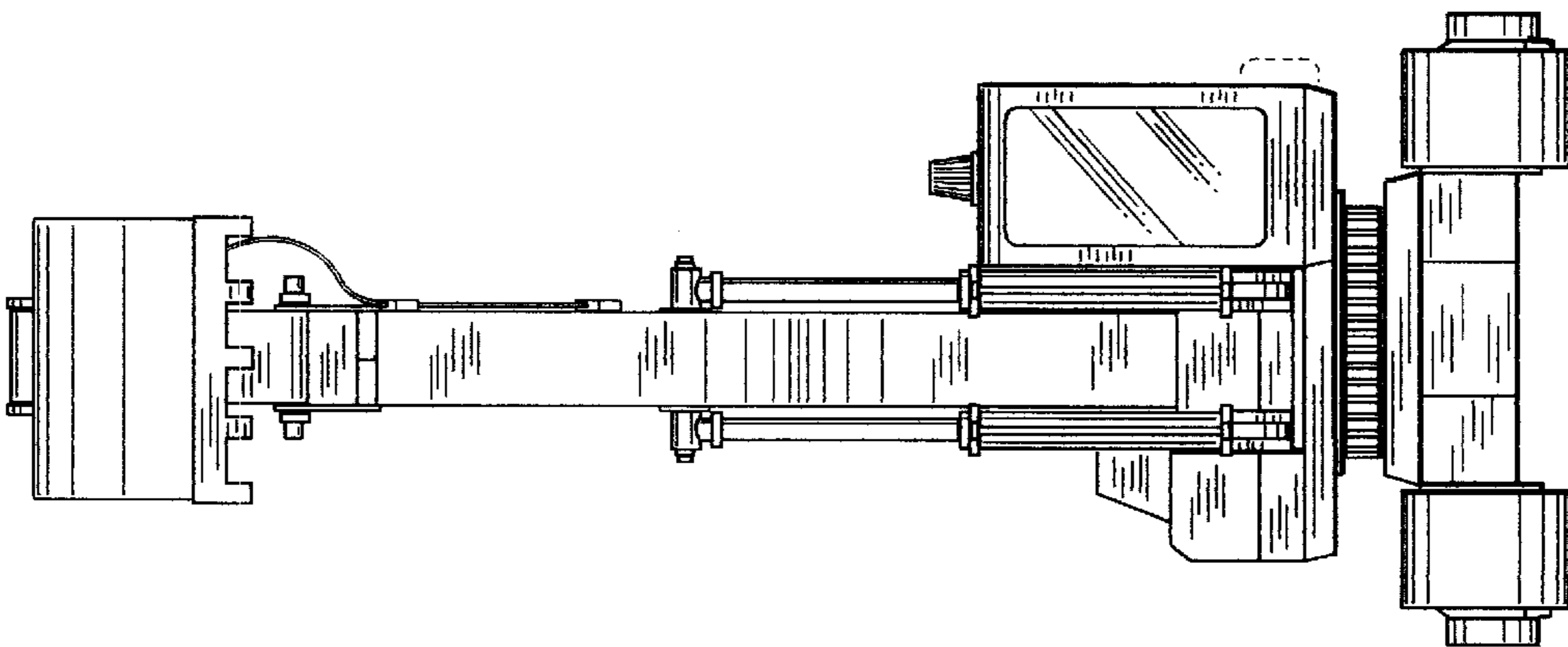


FIG. 4

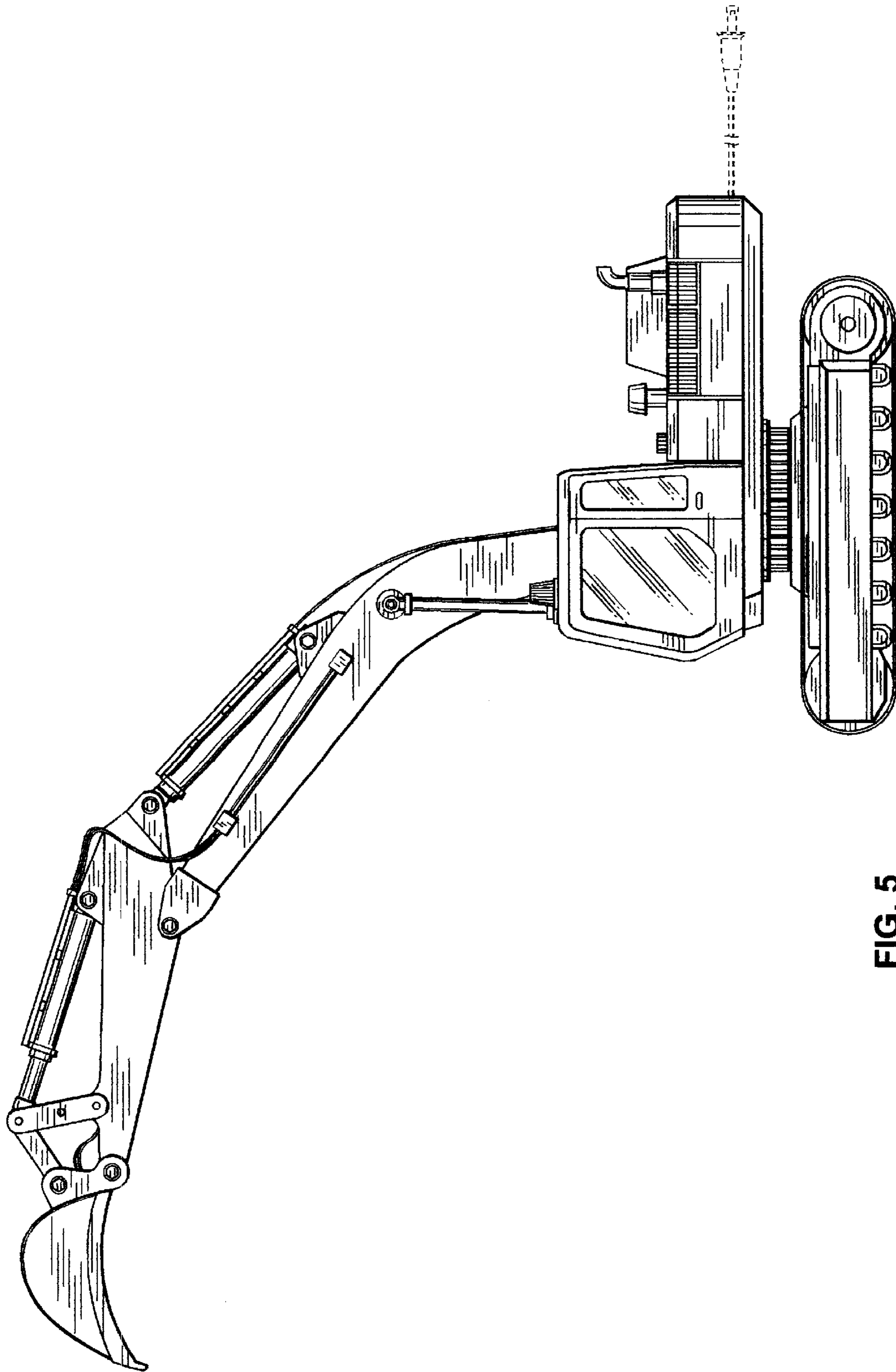


FIG. 5

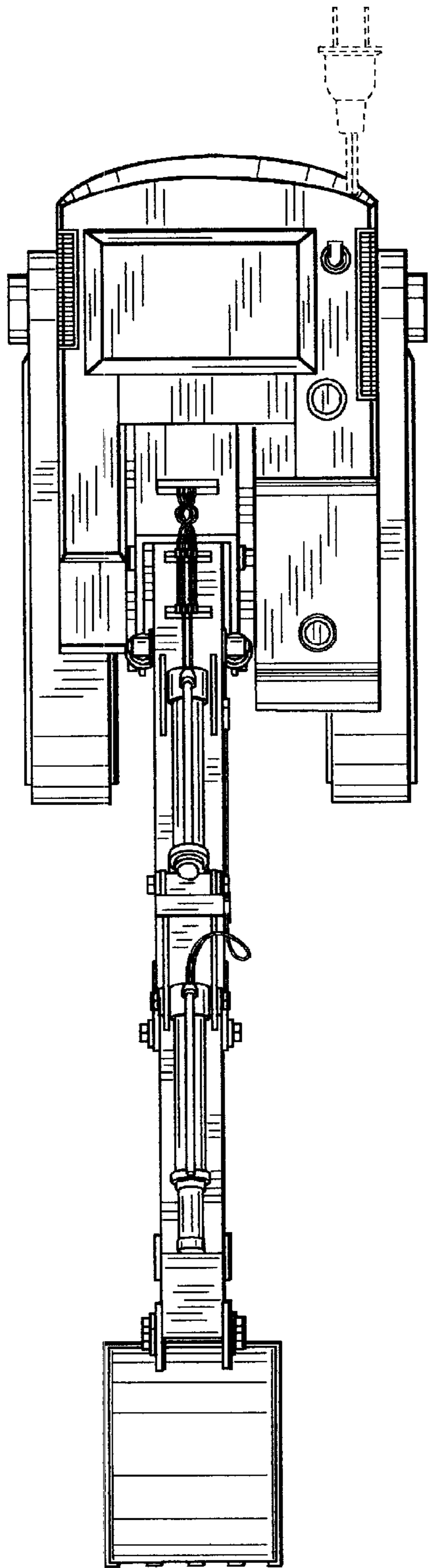


FIG. 7

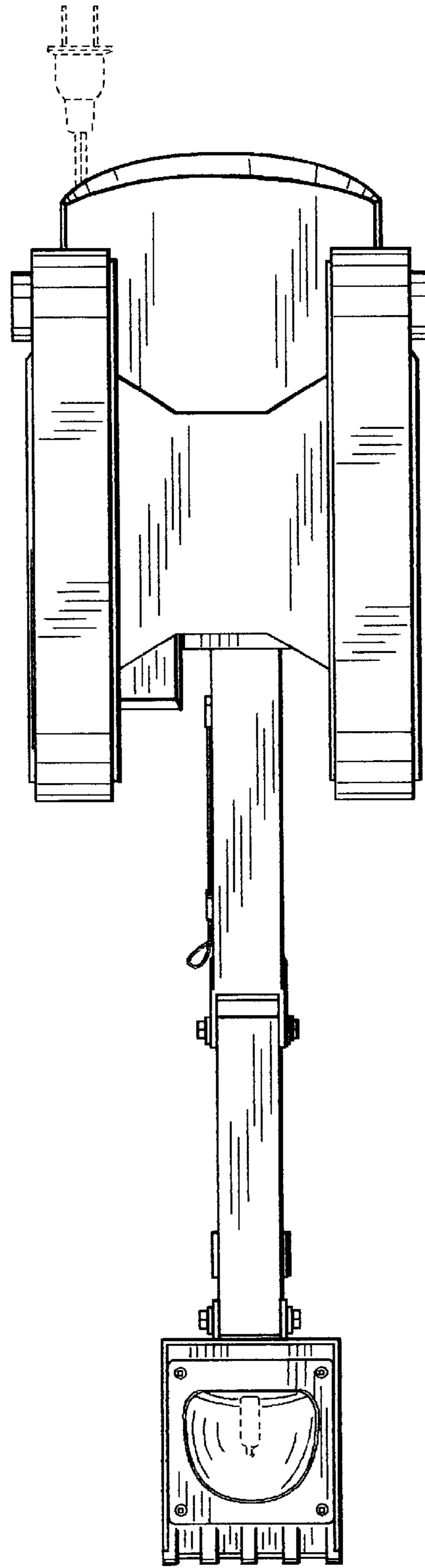


FIG. 8