



US00D536473S

(12) **United States Design Patent**
Tan

(10) **Patent No.:** **US D536,473 S**

(45) **Date of Patent:** **** Feb. 6, 2007**

(54) **ILLUMINATING PLATE**

(75) **Inventor:** **Khee Soon Tan**, Singapore (SG)

(73) **Assignee:** **MTE Pte Ltd**, Singapore (SG)

(**) **Term:** **14 Years**

(21) **Appl. No.:** **29/239,606**

(22) **Filed:** **Oct. 3, 2005**

(30) **Foreign Application Priority Data**

Apr. 12, 2005 (SG) D2005/649/G

(51) **LOC (8) Cl.** **26-03**

(52) **U.S. Cl.** **D26/93**

(58) **Field of Classification Search** D26/93-112,
D26/51, 113; 362/410-415, 101, 154, 181,
362/800, 253, 806; D23/364, 386

See application file for complete search history.

(56) **References Cited**

U.S. PATENT DOCUMENTS

5,355,289 A * 10/1994 Krenn 362/253

6,241,362 B1 * 6/2001 Morrison 362/806

D495,087 S * 8/2004 Brown et al. D26/67

6,863,415 B2 * 3/2005 Lu 362/101

* cited by examiner

Primary Examiner—Alan P. Douglas

Assistant Examiner—Linda Brooks

(74) *Attorney, Agent, or Firm*—Lawrence Y. D. Ho & Associates

(57) **CLAIM**

The ornamental design for an illuminating plate, as shown.

DESCRIPTION

FIG. 1 is a perspective elevational view of an illuminating plate according to my new design;

FIG. 2 is a bottom view thereof;

FIG. 3 is a top view thereof;

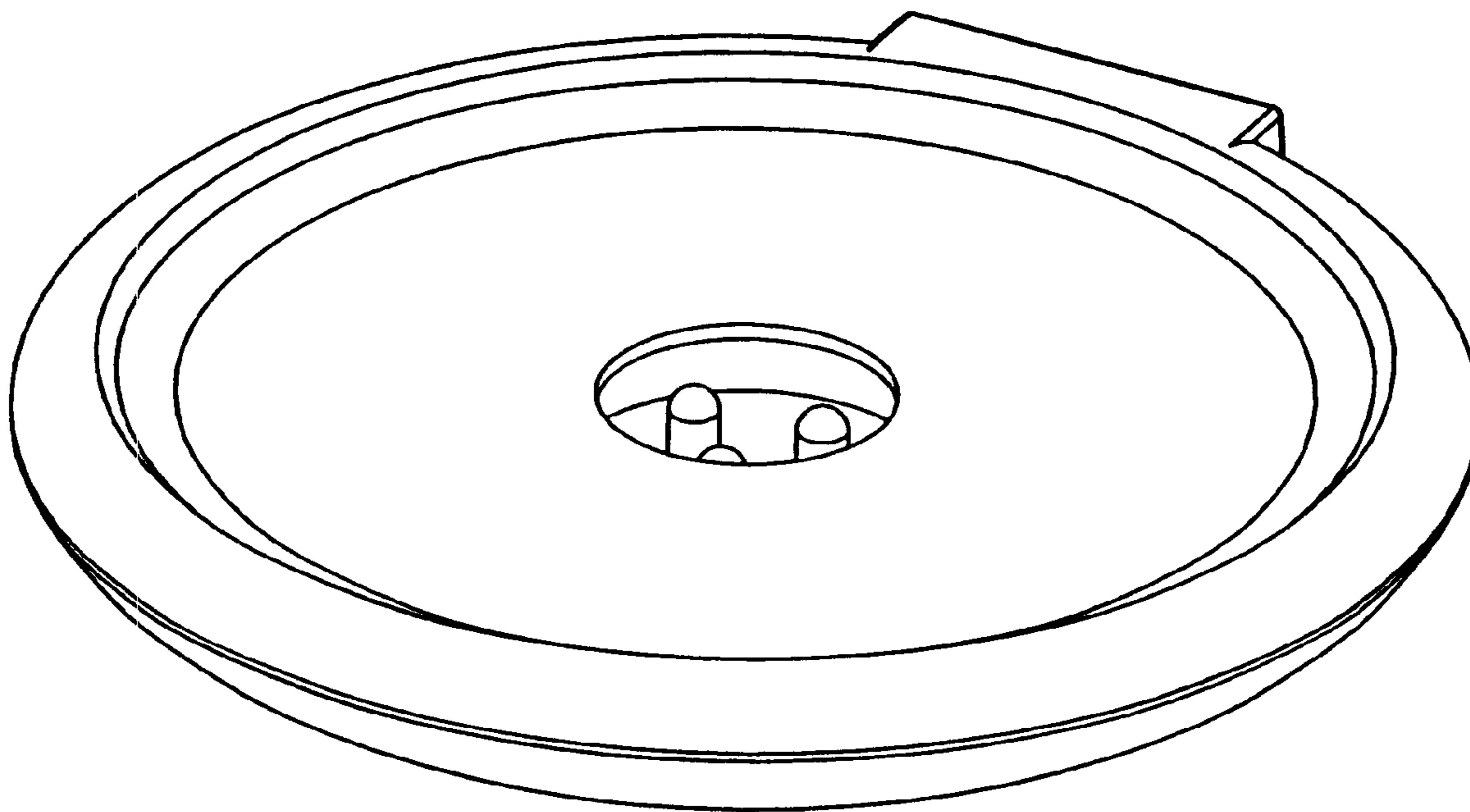
FIG. 4 is a left side view thereof;

FIG. 5 is a right side view thereof;

FIG. 6 is a front view thereof; and,

FIG. 7 is a back view thereof.

1 Claim, 7 Drawing Sheets



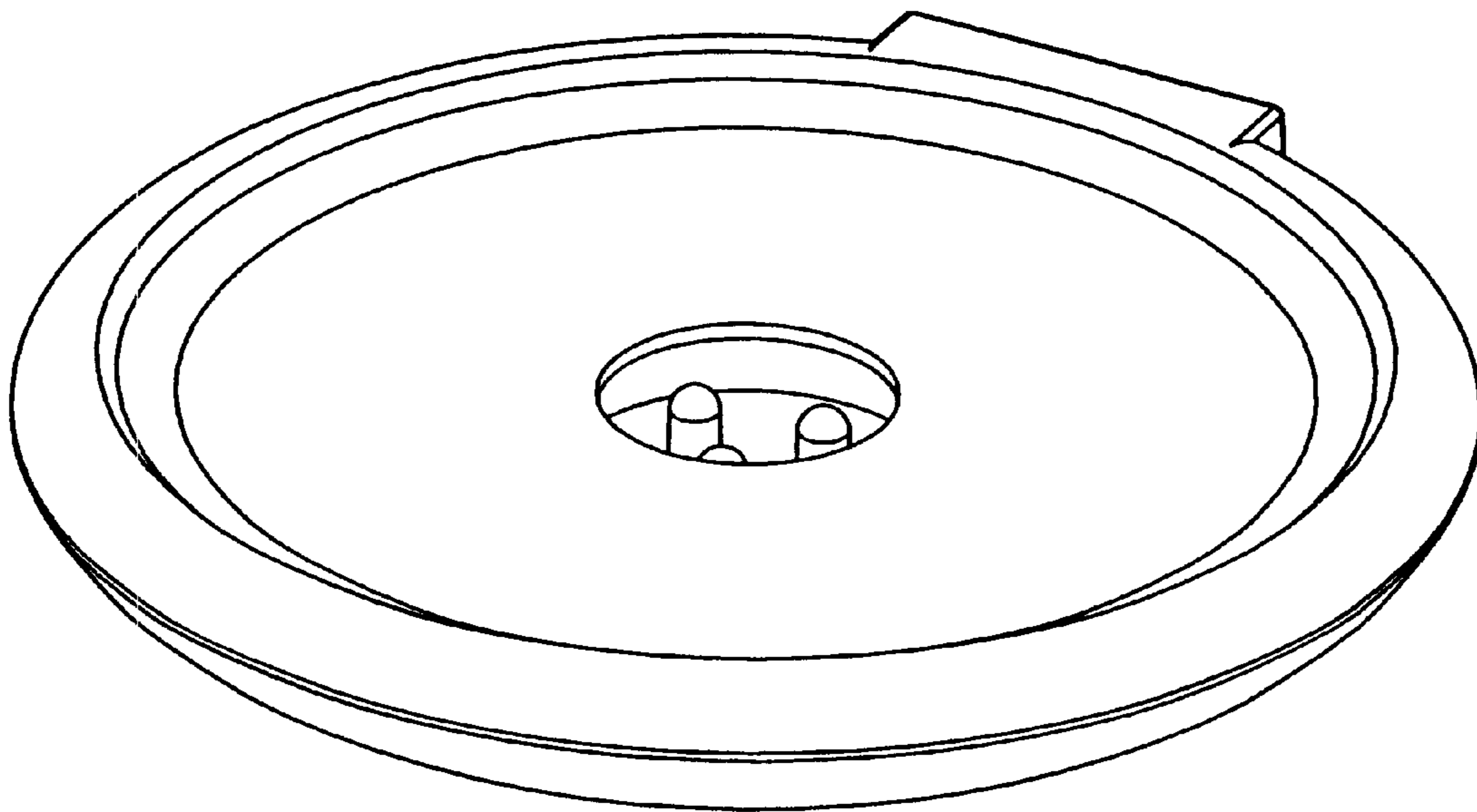


FIG. 1

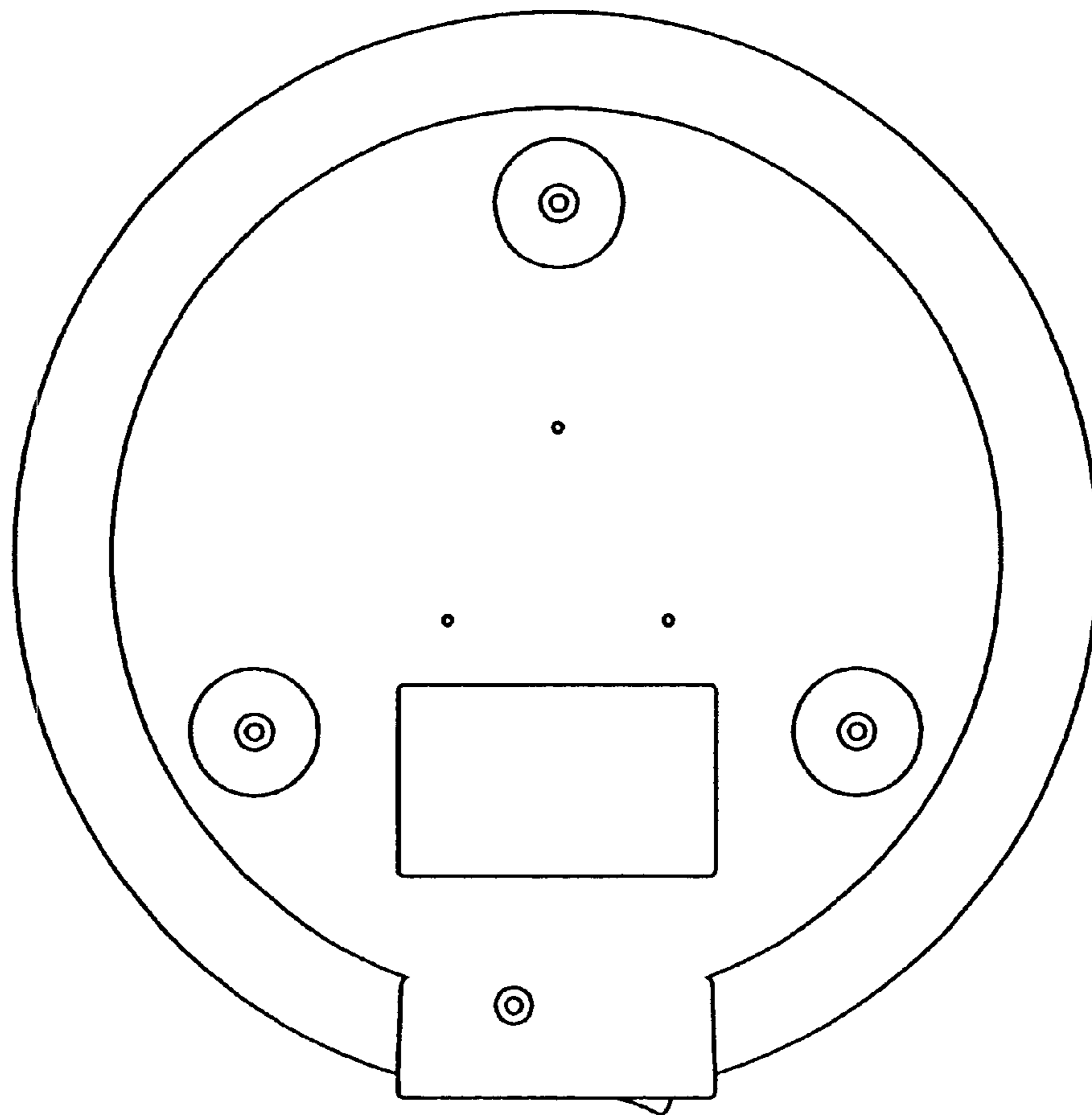


FIG. 2

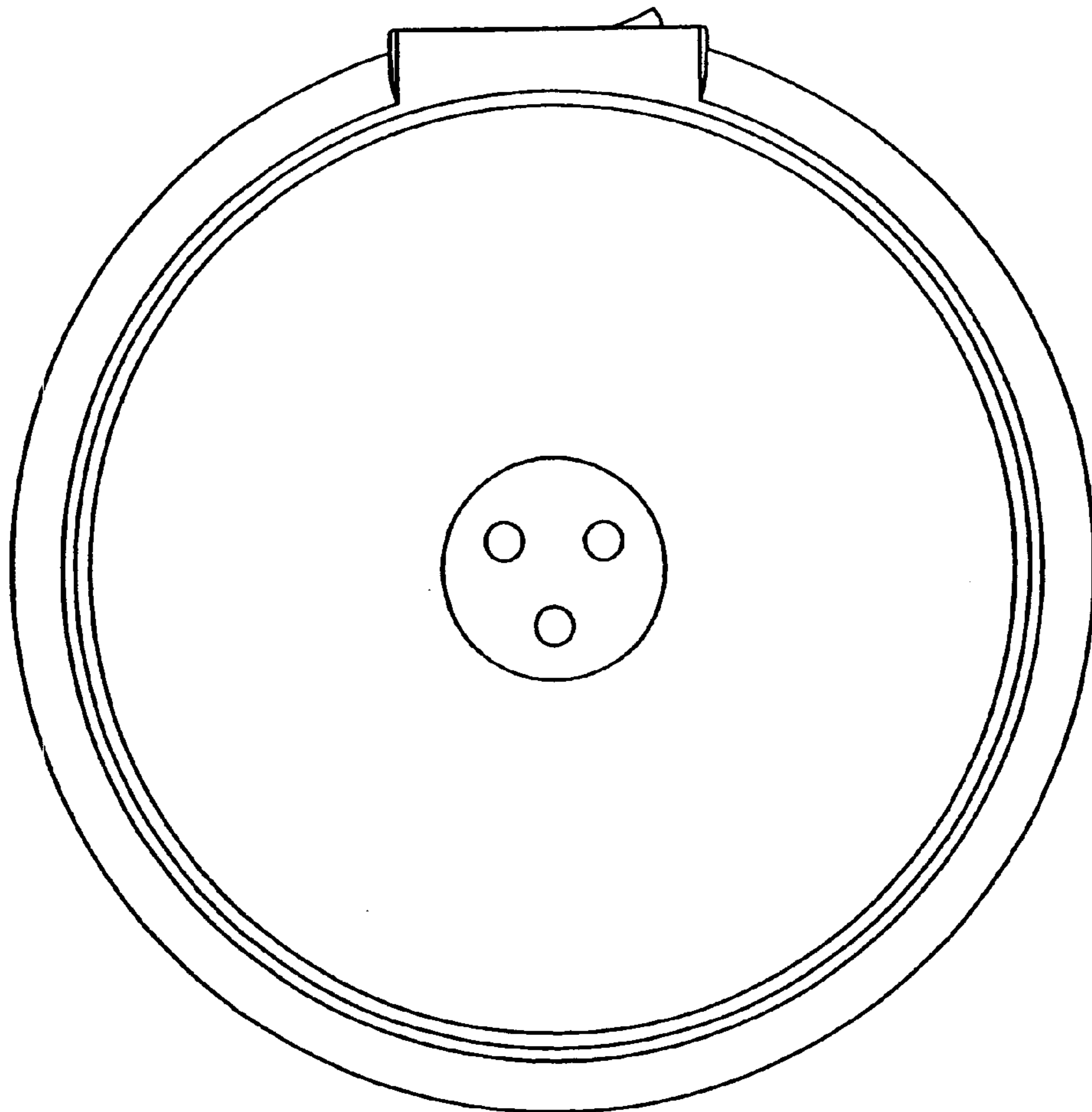


FIG. 3

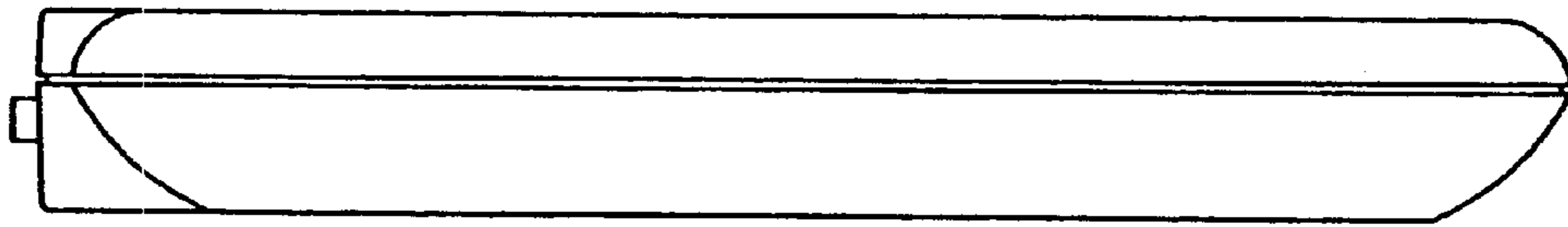


FIG. 4

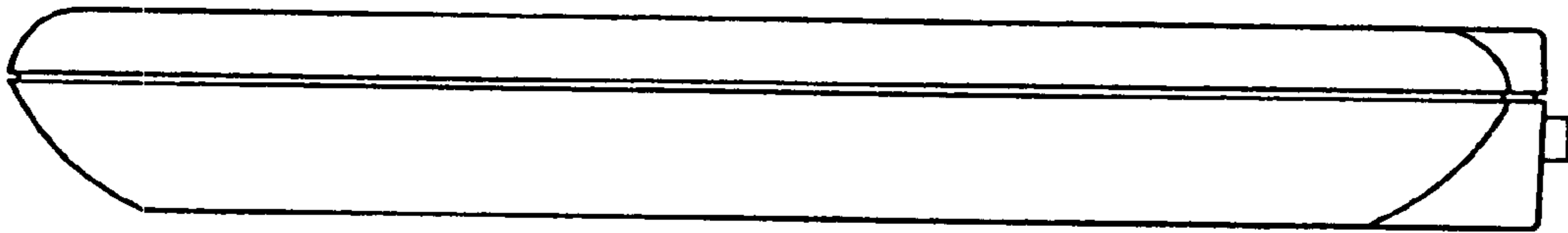


FIG. 5

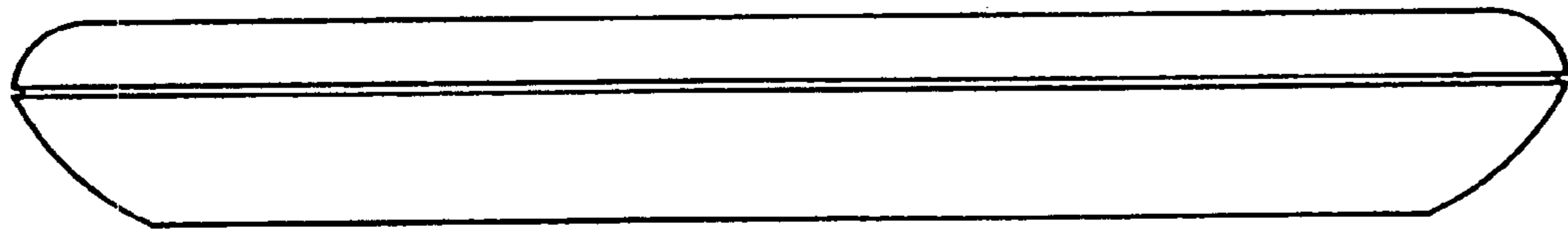


FIG. 6

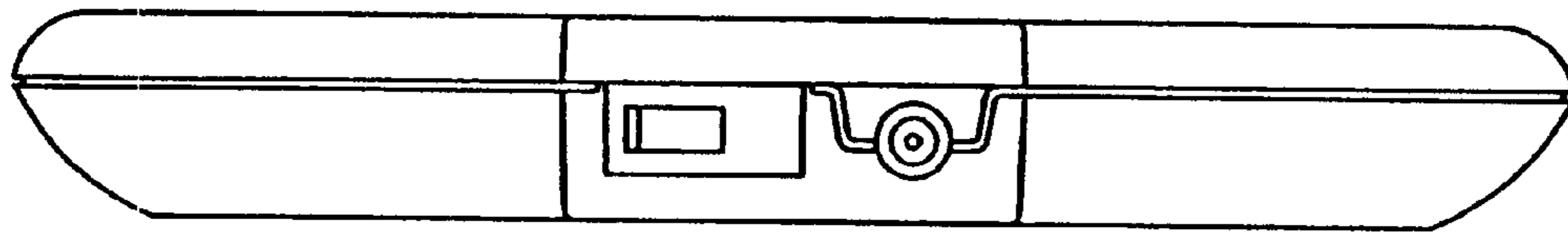


FIG. 7