



US00D536472S

(12) **United States Design Patent** (10) **Patent No.:** **US D536,472 S**
Tsai (45) **Date of Patent:** **** Feb. 6, 2007**

(54) **FIXTURE ELEMENT**

(75) Inventor: **Hsin-I Ciny Tsai**, Sheboygan, WI (US)

(73) Assignee: **Kohler Co.**, Kohler, WI (US)

(**) Term: **14 Years**

(21) Appl. No.: **29/258,197**

(22) Filed: **Apr. 18, 2006**

(51) **LOC (8) Cl.** **26-03**

(52) **U.S. Cl.** **D26/87**; D26/92

(58) **Field of Classification Search** D26/128-138,
D26/80-92, 72; 362/432, 340, 347, 348,
362/350, 351, 355, 363, 404-408
See application file for complete search history.

(56) **References Cited**

U.S. PATENT DOCUMENTS

D326,538 S	5/1992	Dordick	
D367,335 S	2/1996	Kay	
D380,851 S	7/1997	Dolan	
D391,662 S	* 3/1998	Miranda D26/87
D397,487 S	8/1998	Hsu	
D442,318 S	5/2001	Hsieh	
D442,727 S	5/2001	Hsu	
D444,260 S	* 6/2001	Dolan D26/92
D468,476 S	* 1/2003	Dolan D26/92
D515,233 S	2/2006	Miranda	

OTHER PUBLICATIONS

Rejuvenation. "Veneta" Model No. W703. Rejuvenation Catalog.

Xenia. Wall Lamp. Model No. 0737.01. Xenia Catalog.

Kohler Co., "Fairfax single-control lavatory faucet with lever handle and pop-up drain". Kohler Co., online catalog. Copyright 2006.

* cited by examiner

Primary Examiner—Clare E Heflin

(74) *Attorney, Agent, or Firm*—Quarles & Brady LLP

(57) **CLAIM**

The ornamental design for a fixture element, as shown and described.

DESCRIPTION

In a preferred embodiment, the nature of this product is a fixture element in the form of a light wall sconce.

FIG. 1 is a left, top, front perspective view of a fixture element according to my new design;

FIG. 2 is a front elevational view thereof;

FIG. 3 is a left side elevational view thereof, the right side elevational view thereof being a mirror image of the left side shown;

FIG. 4 is a top plan view thereof;

FIG. 5 is a bottom plan view thereof; and,

FIG. 6 is a rear elevational view thereof.

The broken line representations of shade environment in the figures, fastener structure in FIGS. 1 and 3-5, and an opening in FIG. 6 are for the purpose of illustration only, and form no part of the claimed design.

1 Claim, 3 Drawing Sheets

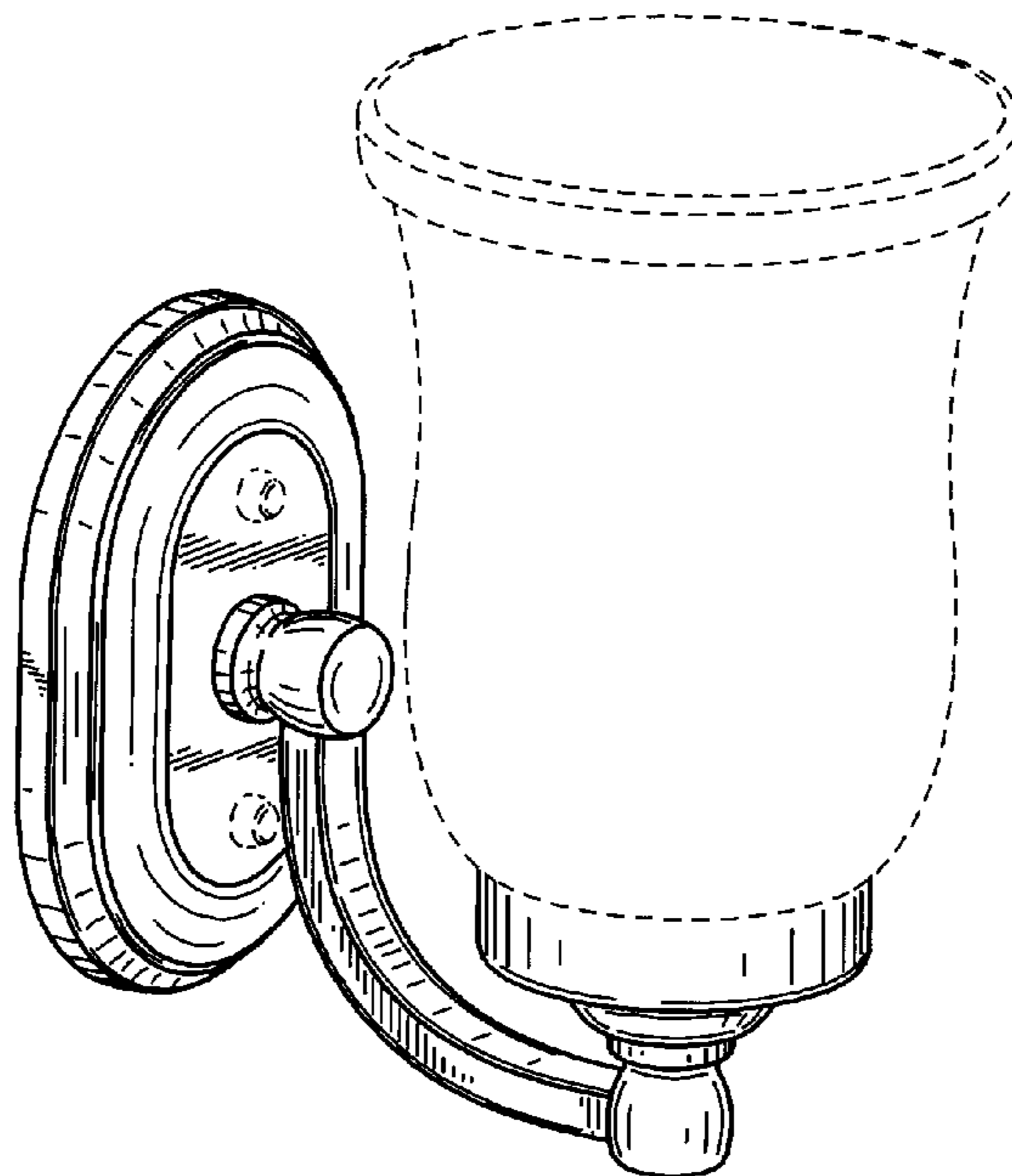


FIG. 1

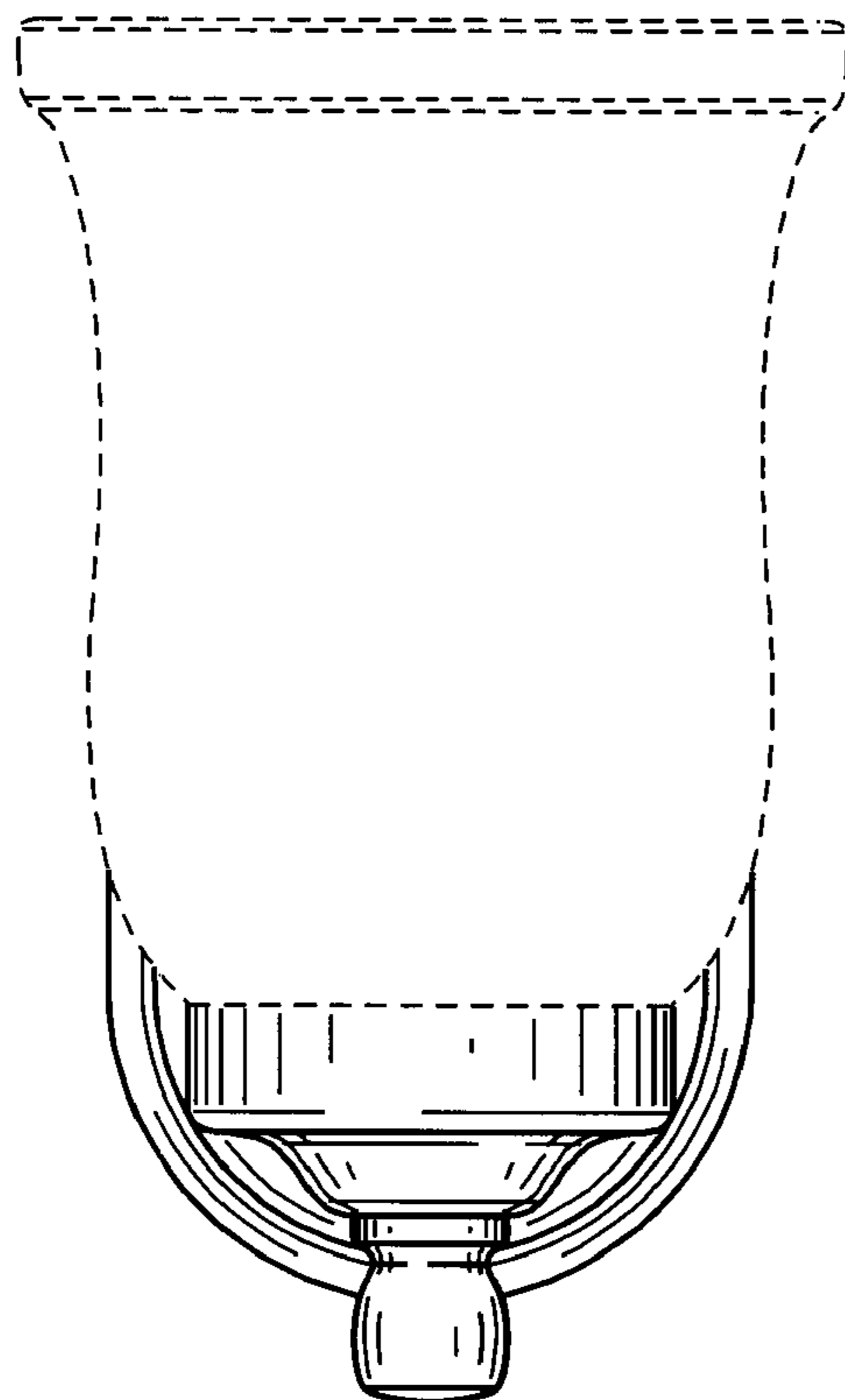
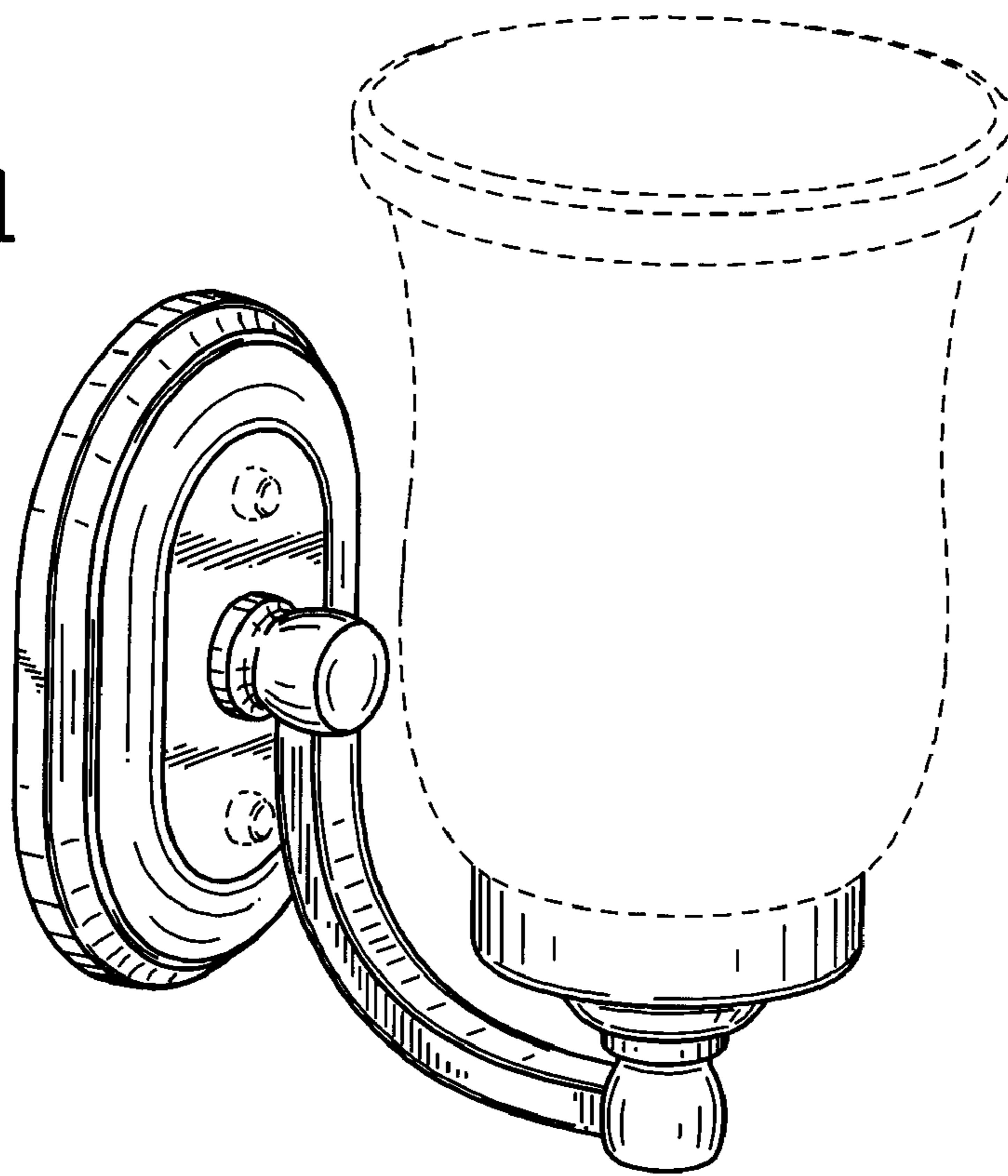


FIG. 2

FIG. 3

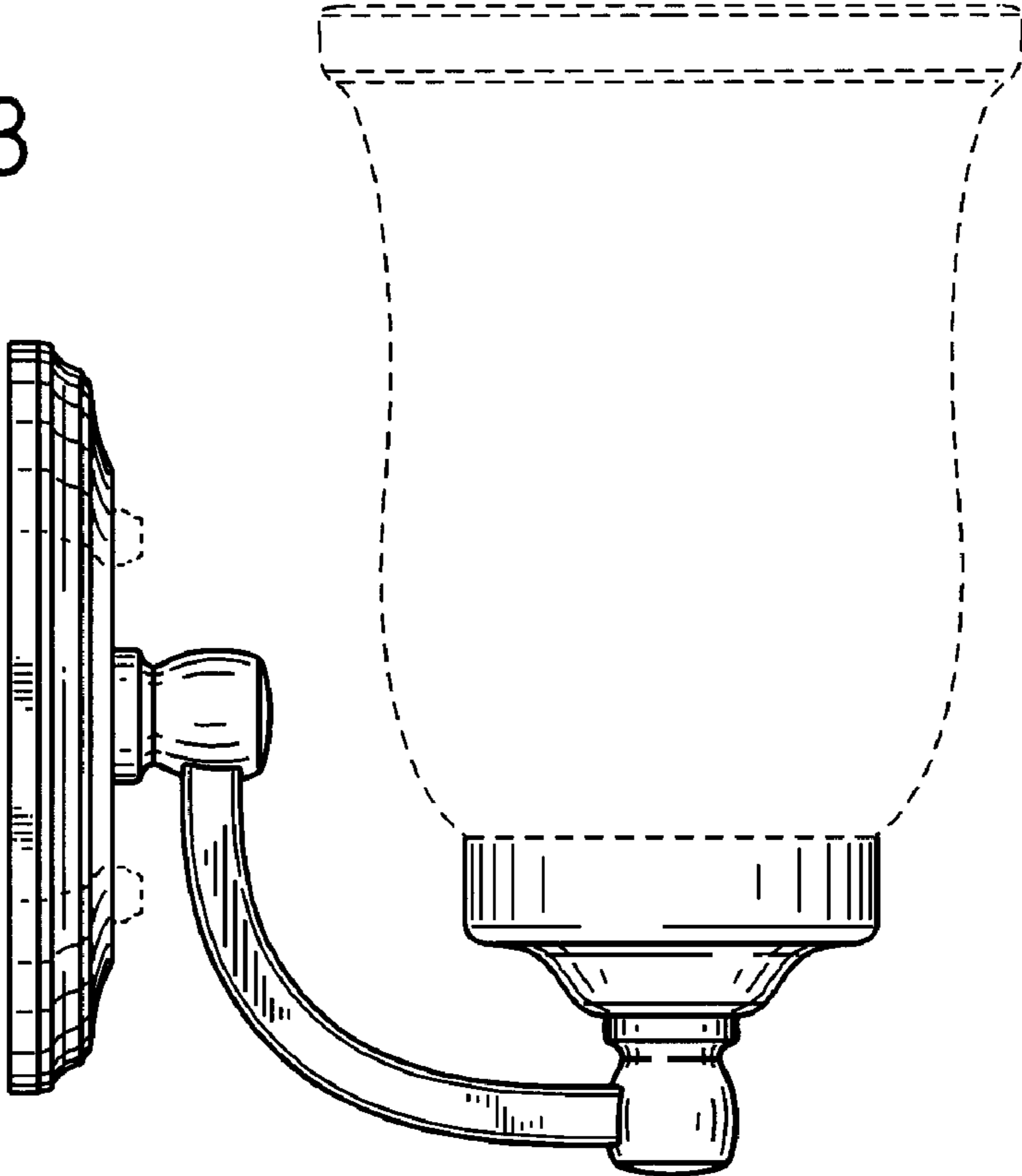
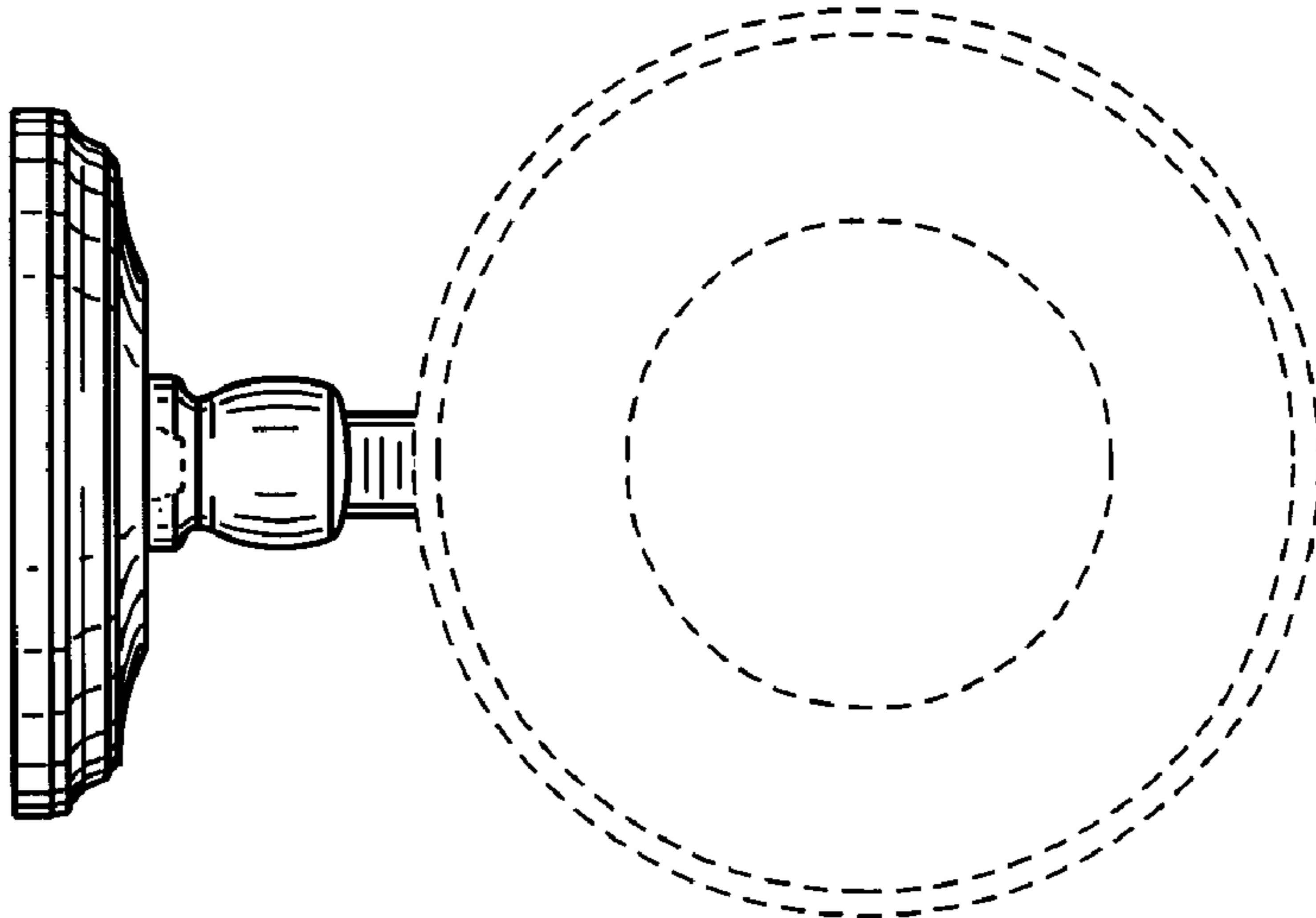


FIG. 4



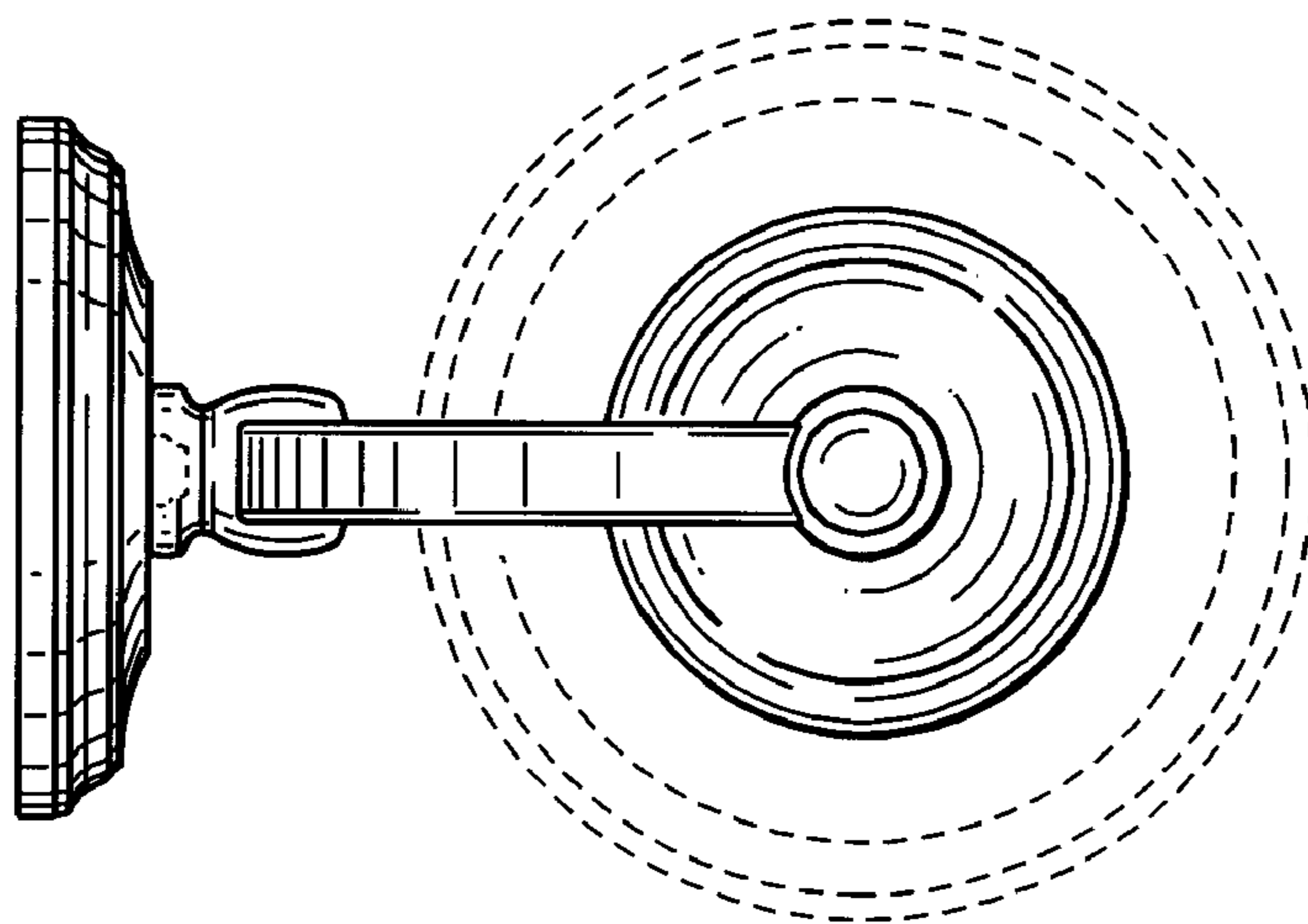


FIG. 5

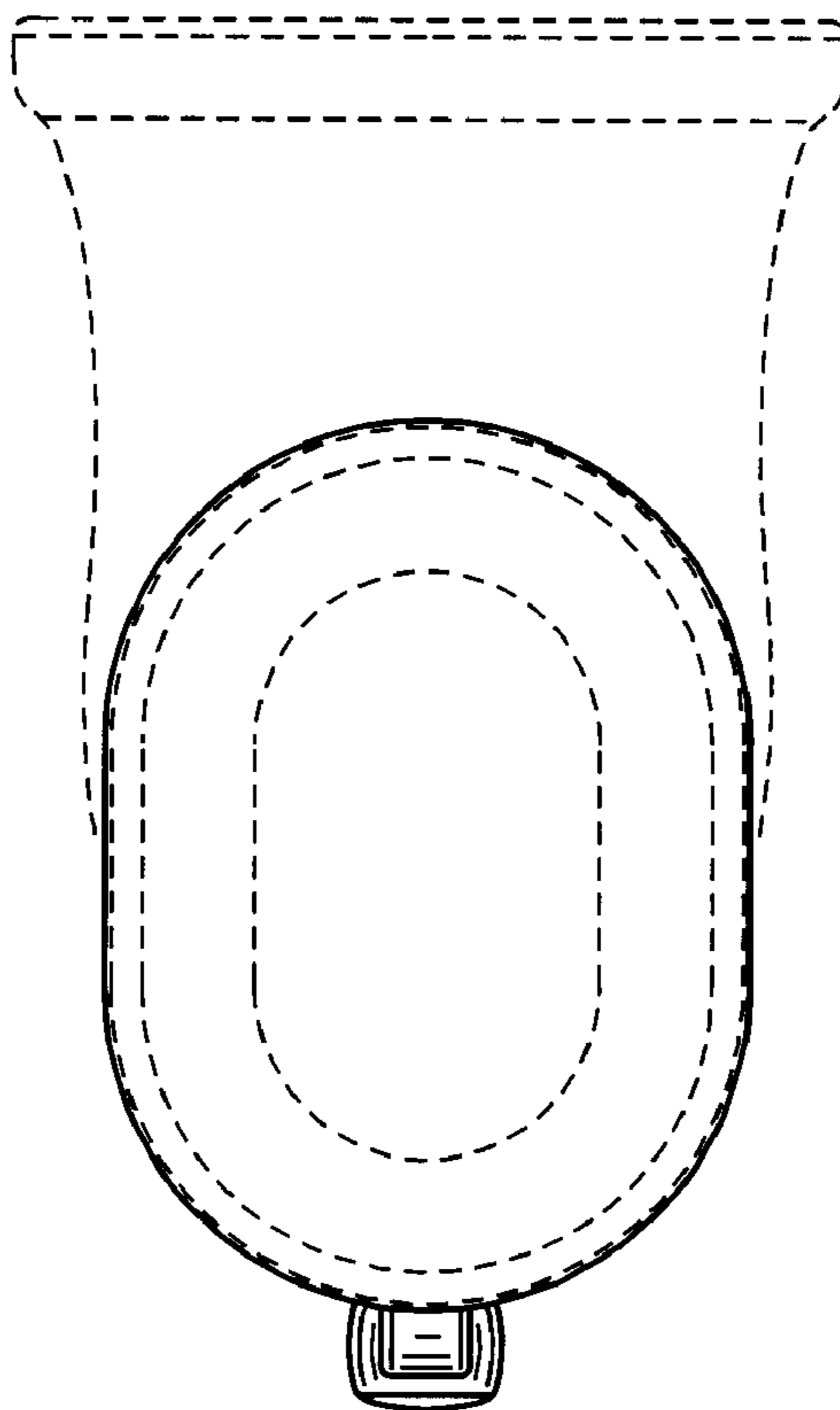


FIG. 6