



US00D536471S

(12) **United States Design Patent**
Matons

(10) **Patent No.:** **US D536,471 S**
(45) **Date of Patent:** **** Feb. 6, 2007**

(54) **LIGHT FIXTURE**

(75) Inventor: **Xavier Matons**, Brooklyn, NY (US)

(73) Assignee: **Picasso Lighting Inc.**, Hillside, NJ (US)

(**) Term: **14 Years**

(21) Appl. No.: **29/253,011**

(22) Filed: **Jan. 31, 2006**

(51) **LOC (8) Cl.** **26-03**

(52) **U.S. Cl.** **D26/87; D26/92**

(58) **Field of Classification Search** D26/128-137,
D26/80-92, 72; 362/432, 340, 347, 348,
362/350, 351, 355, 363, 404-408

See application file for complete search history.

(56) **References Cited**

U.S. PATENT DOCUMENTS

D380,851 S	*	7/1997	Dolan	D26/92
D391,662 S	*	3/1998	Miranda	D26/87
D441,488 S	*	5/2001	Benghozi	D26/87
D468,476 S	*	1/2003	Dolan	D26/92

OTHER PUBLICATIONS

“Crystal Ball” pendant lamp from Light Waves Concept, Inc. Found at www.hightechlighting.com on Mar. 17, 2004.*

* cited by examiner

Primary Examiner—Clare E Heflin

(74) *Attorney, Agent, or Firm*—Lowenstein Sandler PC

(57) **CLAIM**

The ornamental design for a light fixture, as shown and described.

DESCRIPTION

FIG. 1 is a top, right, front perspective view of a first embodiment of a light fixture showing my new design;

FIG. 2 is a front view thereof;

FIG. 3 is a top plan view thereof;

FIG. 4 is a right elevational view thereof, the left elevational view being a mirror image thereof;

FIG. 5 is a bottom plan view thereof;

FIG. 6 is a rear view thereof;

FIG. 7 is a top, right, front perspective view of a second embodiment of a light fixture showing my new design;

FIG. 8 is a front view thereof;

FIG. 9 is a top plan view thereof;

FIG. 10 is a right elevational view thereof, the left elevational view being a mirror image thereof;

FIG. 11 is a bottom plan view thereof;

FIG. 12 is a rear view thereof;

FIG. 13 is a top, right, front perspective view of a third embodiment of a light fixture showing my new design;

FIG. 14 is a front view thereof;

FIG. 15 is a top plan view thereof;

FIG. 16 is a right elevational view thereof, the left elevational view being a mirror image thereof;

FIG. 17 is a bottom plan view thereof;

FIG. 18 is a rear view thereof;

FIG. 19 is a top, right, front perspective view of a fourth embodiment of a light fixture showing my new design;

FIG. 20 is a front view thereof;

FIG. 21 is a top plan view thereof;

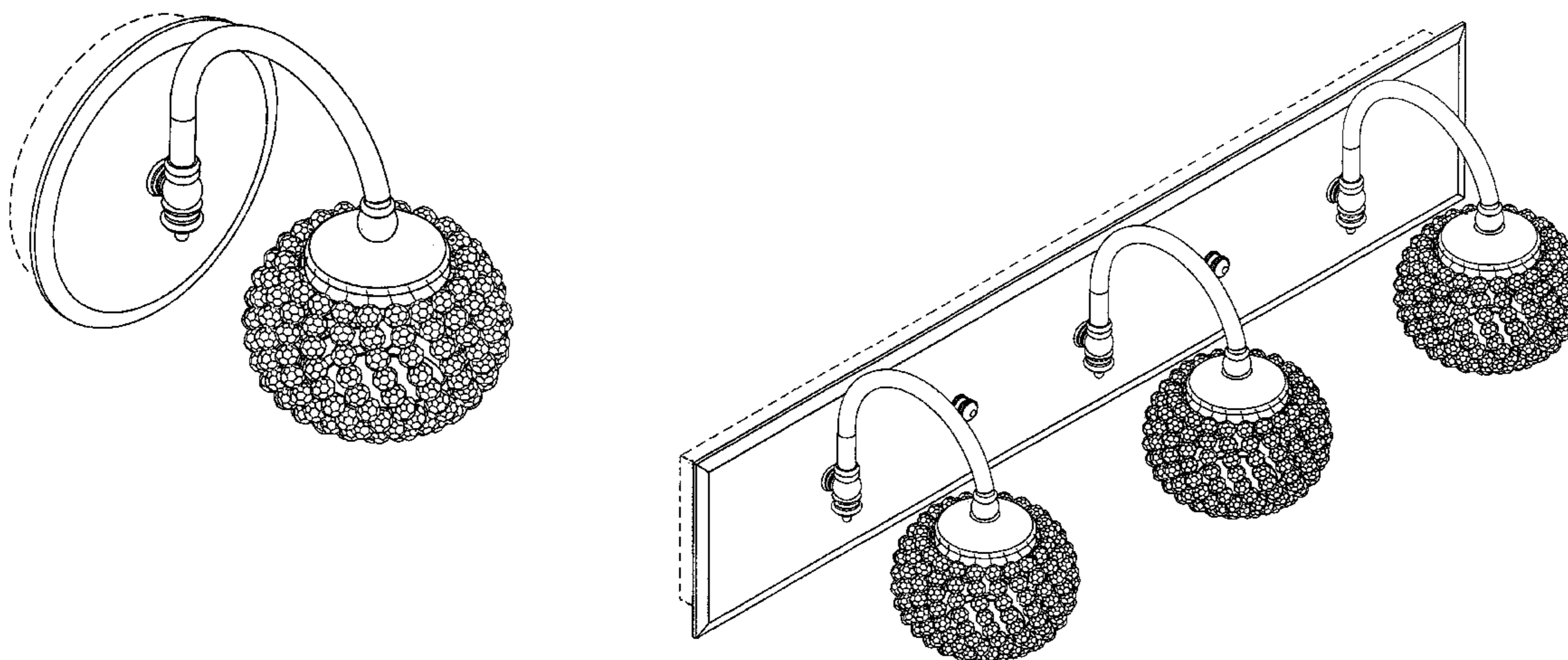
FIG. 22 is a right elevational view thereof, the left elevational view being a mirror image thereof;

FIG. 23 is a bottom plan view thereof; and,

FIG. 24 is a rear view thereof.

The broken lines shown on the drawings are for illustrative purposes only and form no part of the claimed design.

1 Claim, 18 Drawing Sheets



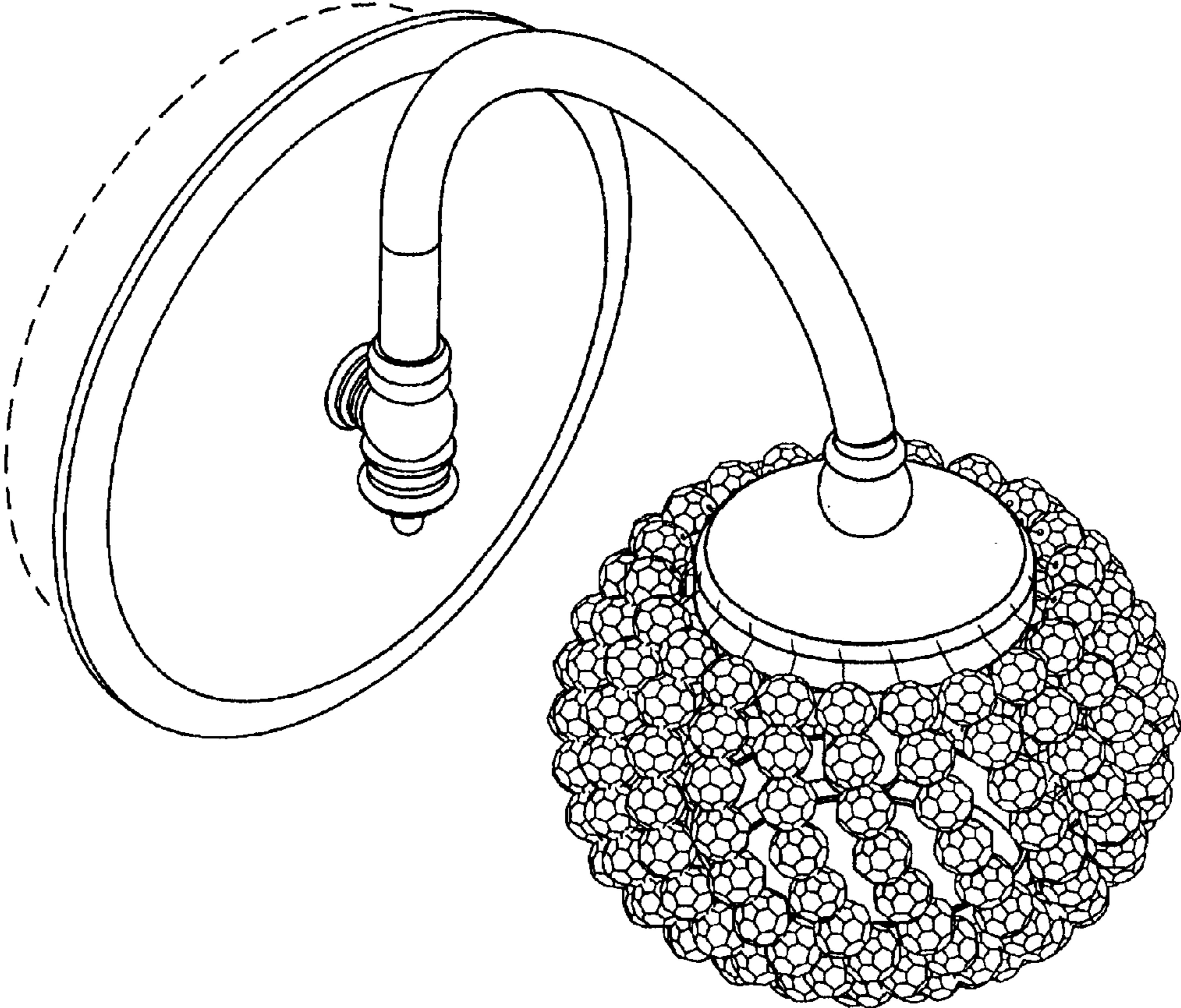


FIG. 1

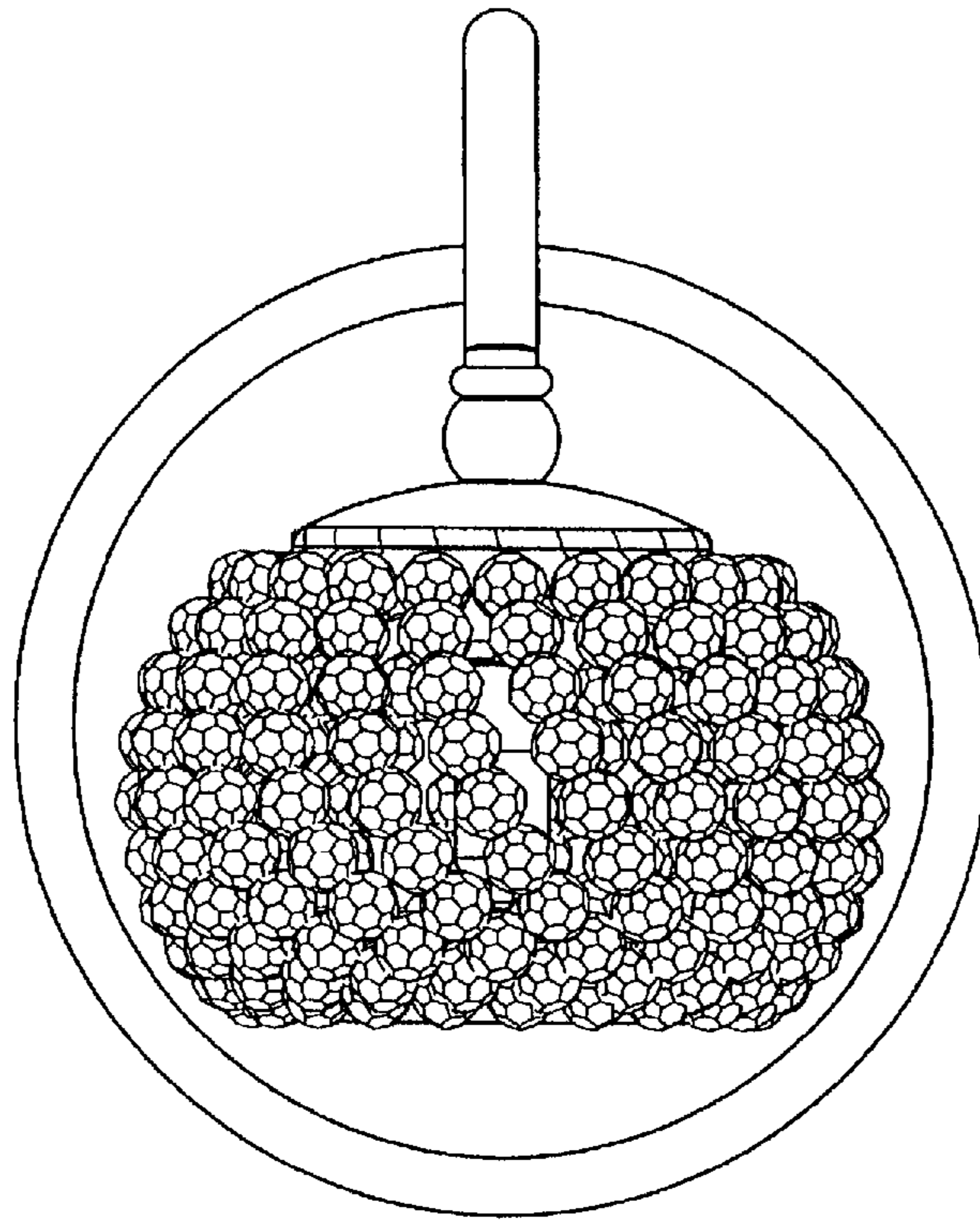


FIG. 2

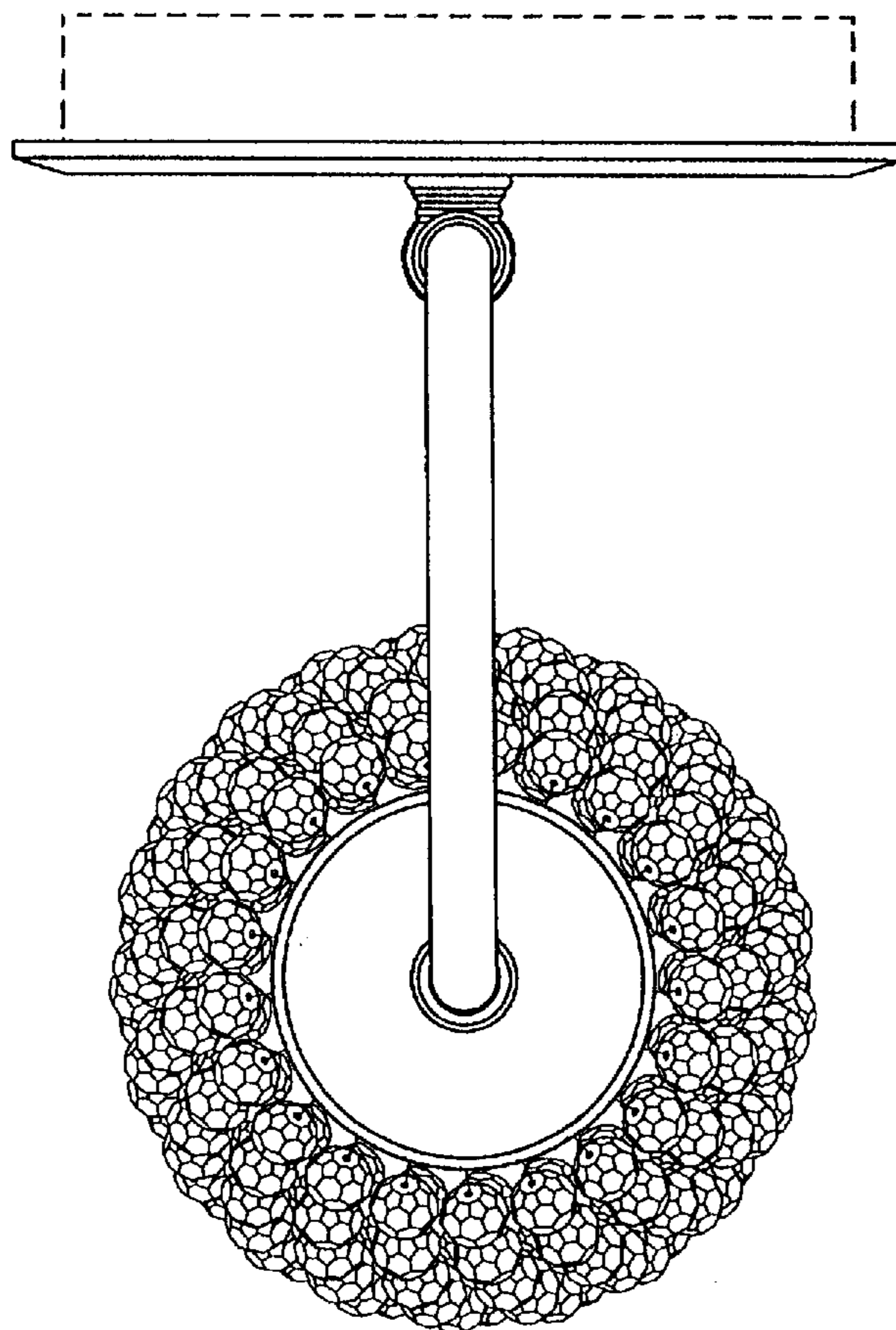
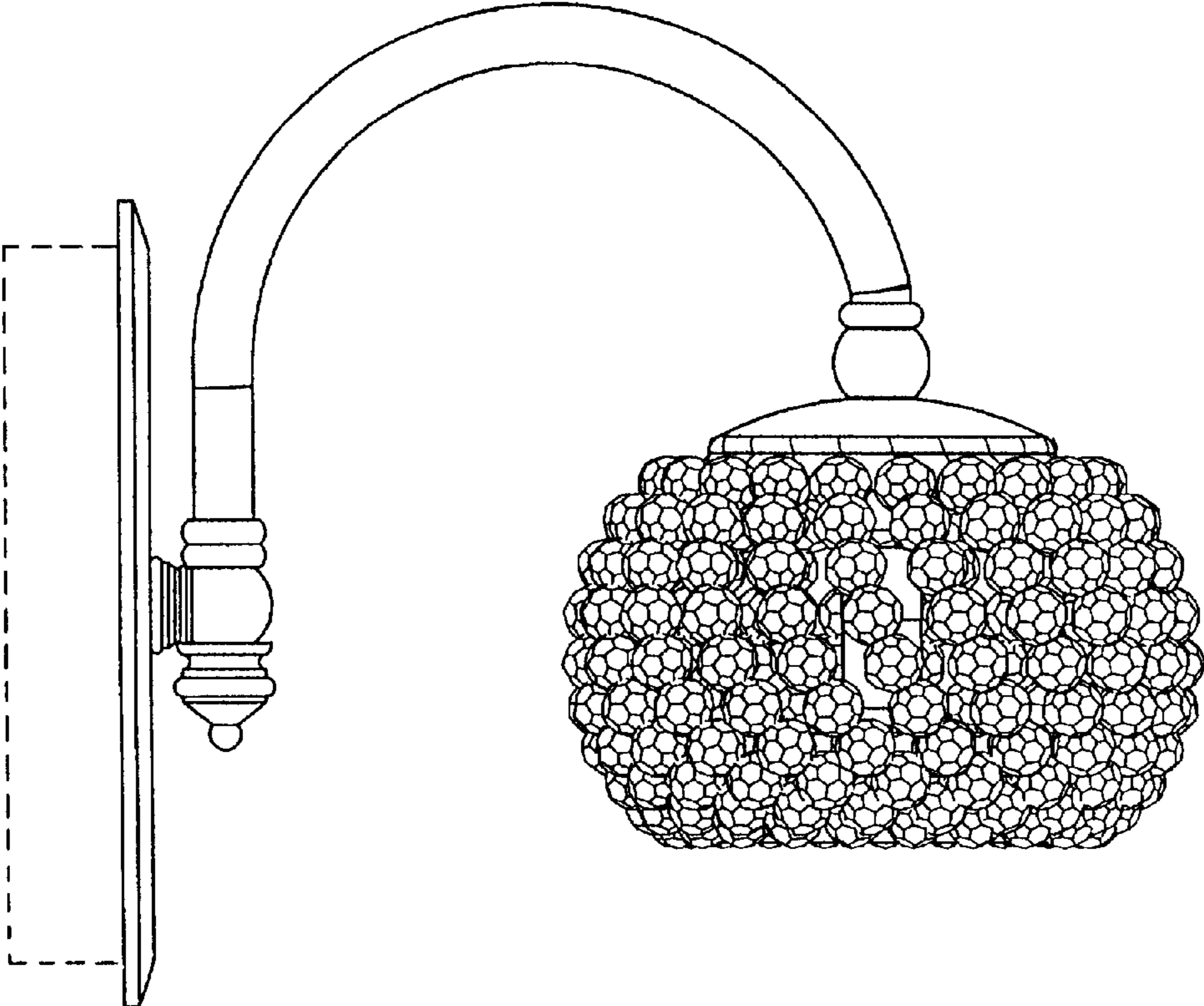


FIG. 3

FIG.4



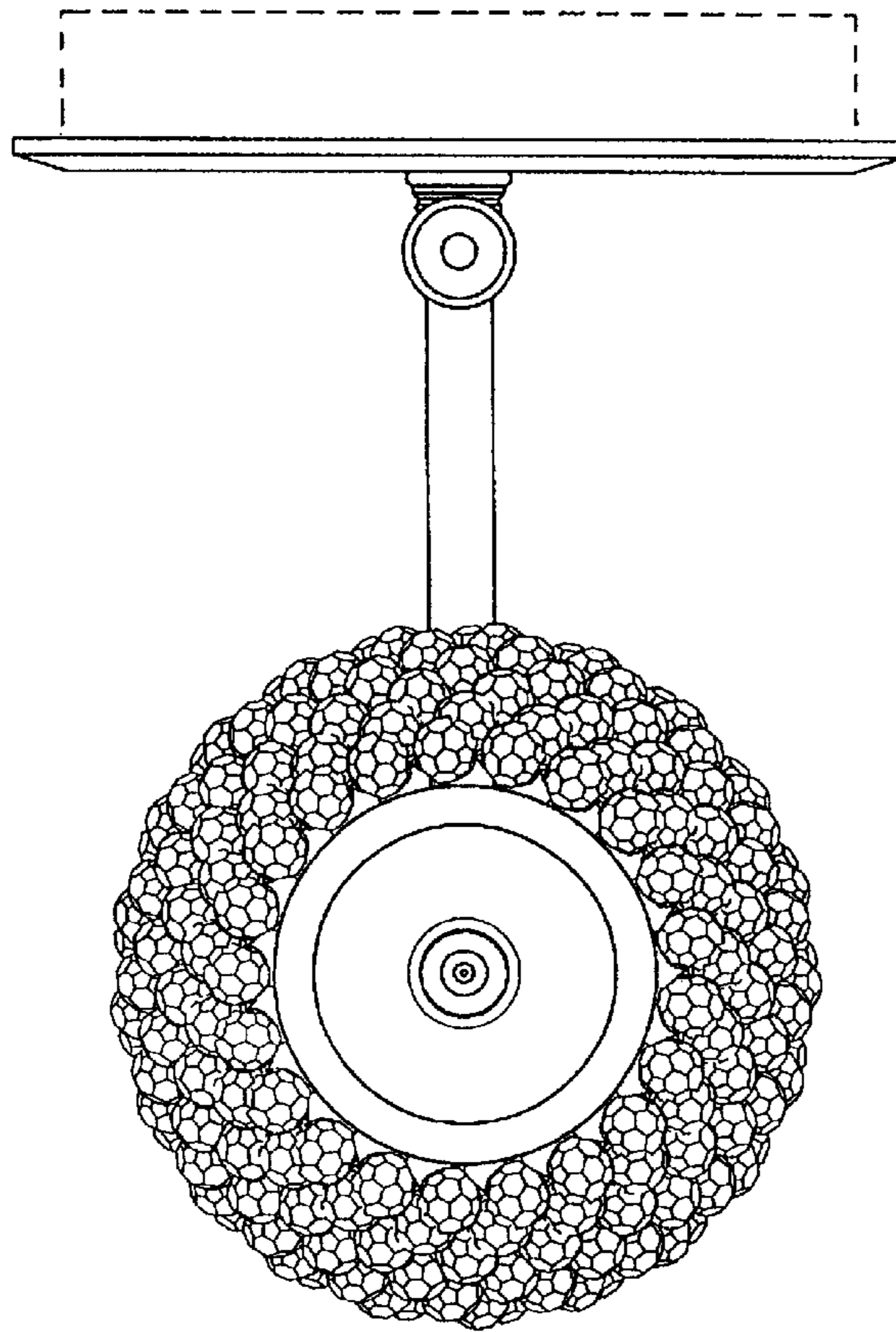


FIG. 5

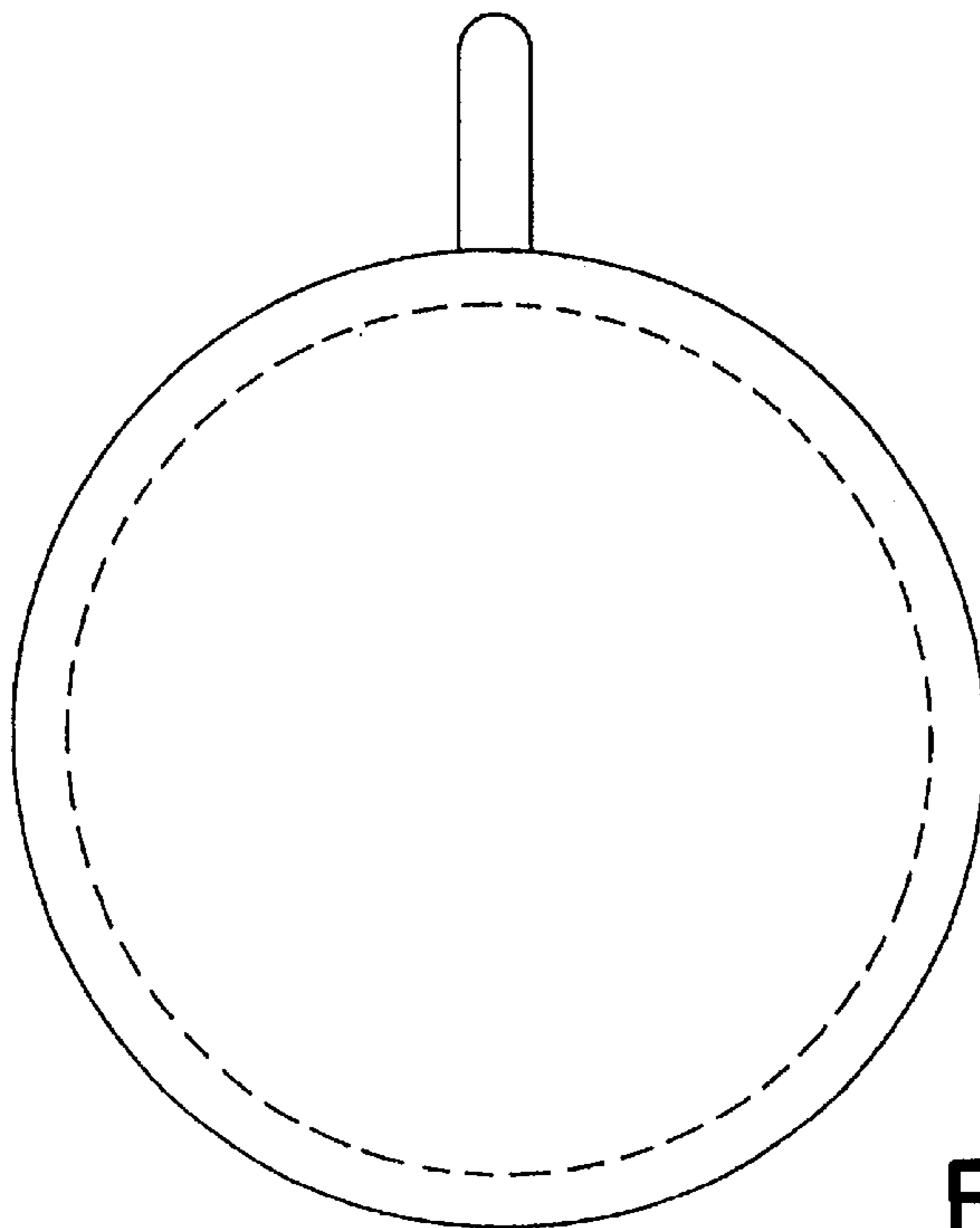


FIG. 6

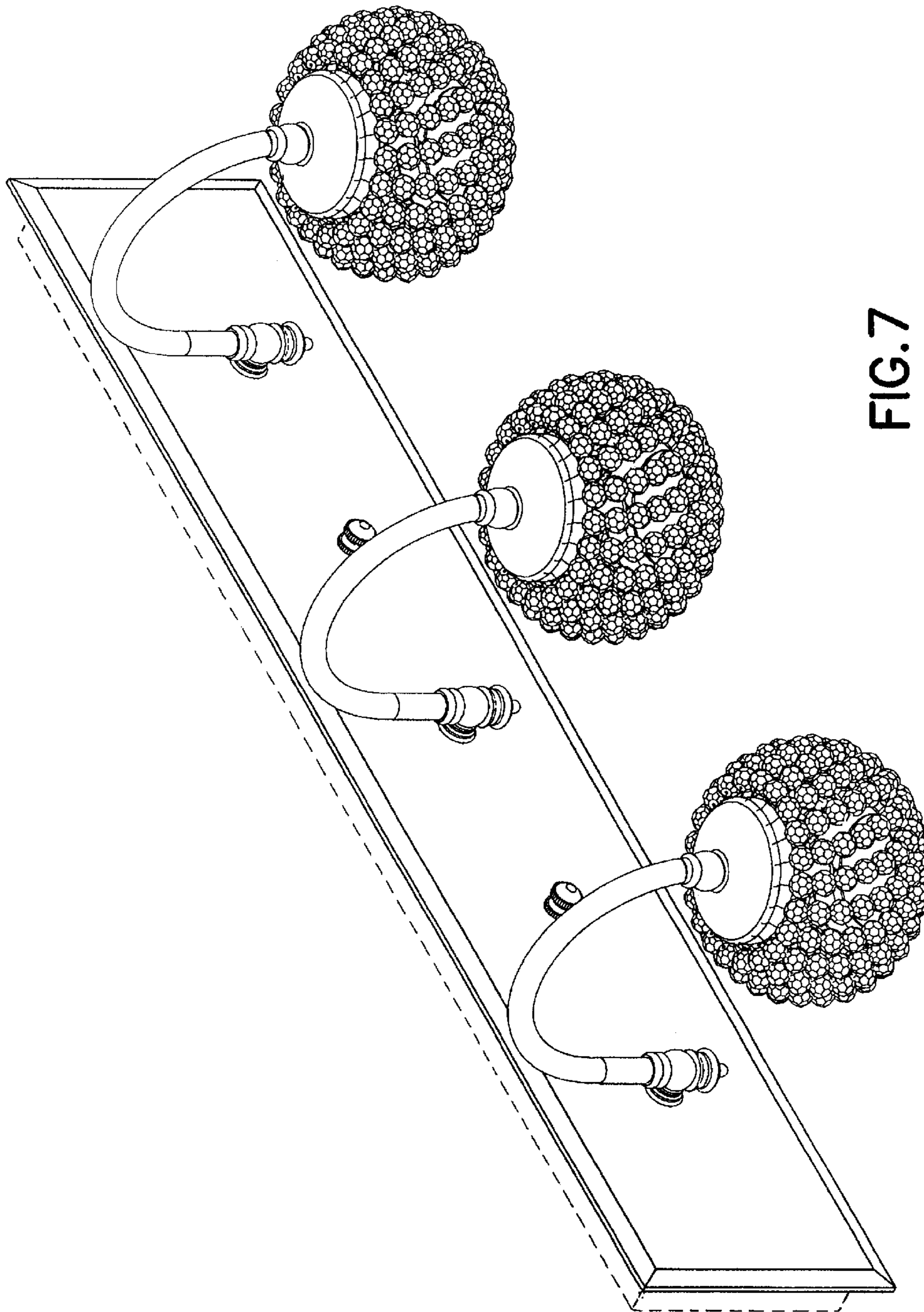


FIG. 7

FIG.8

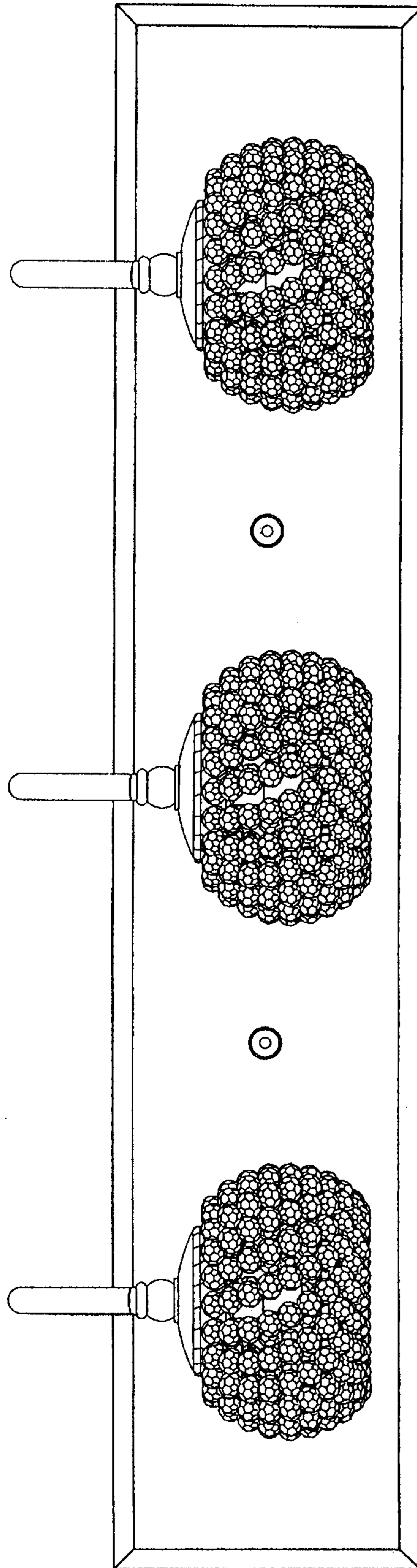
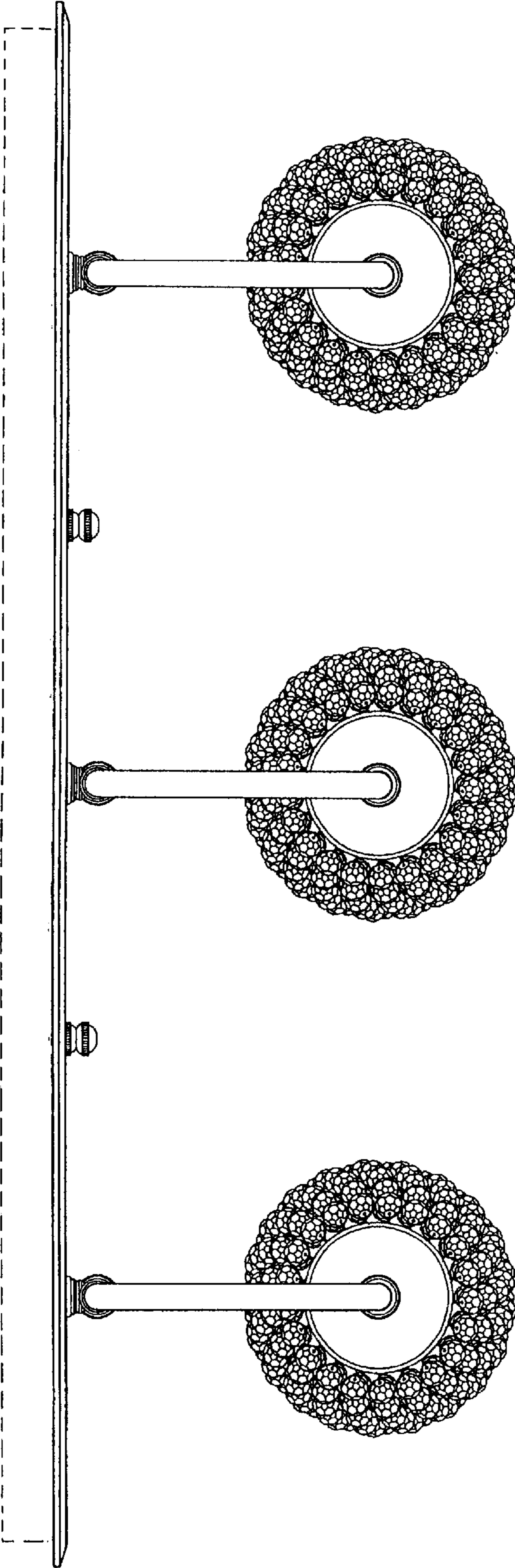


FIG.9



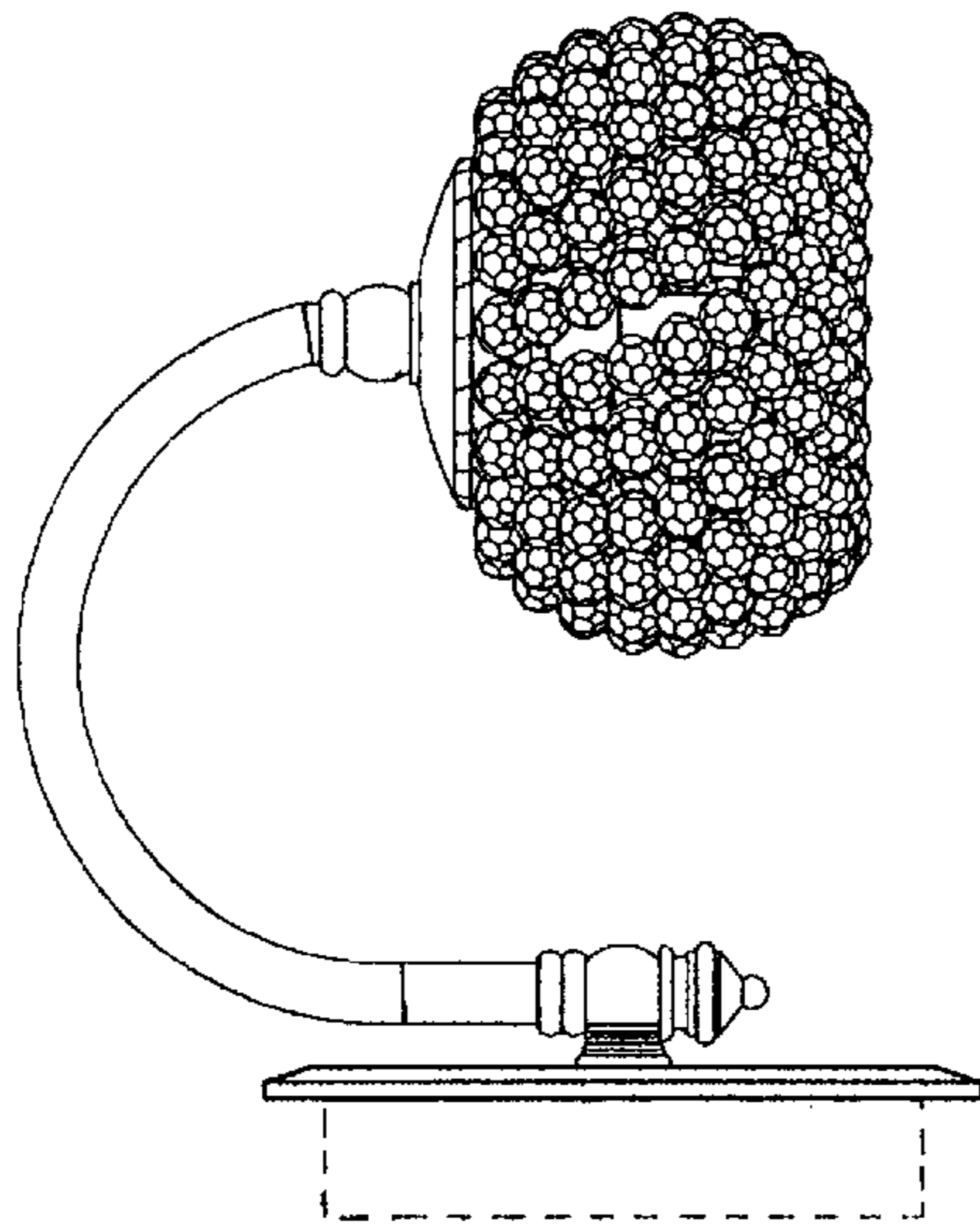


FIG. 10

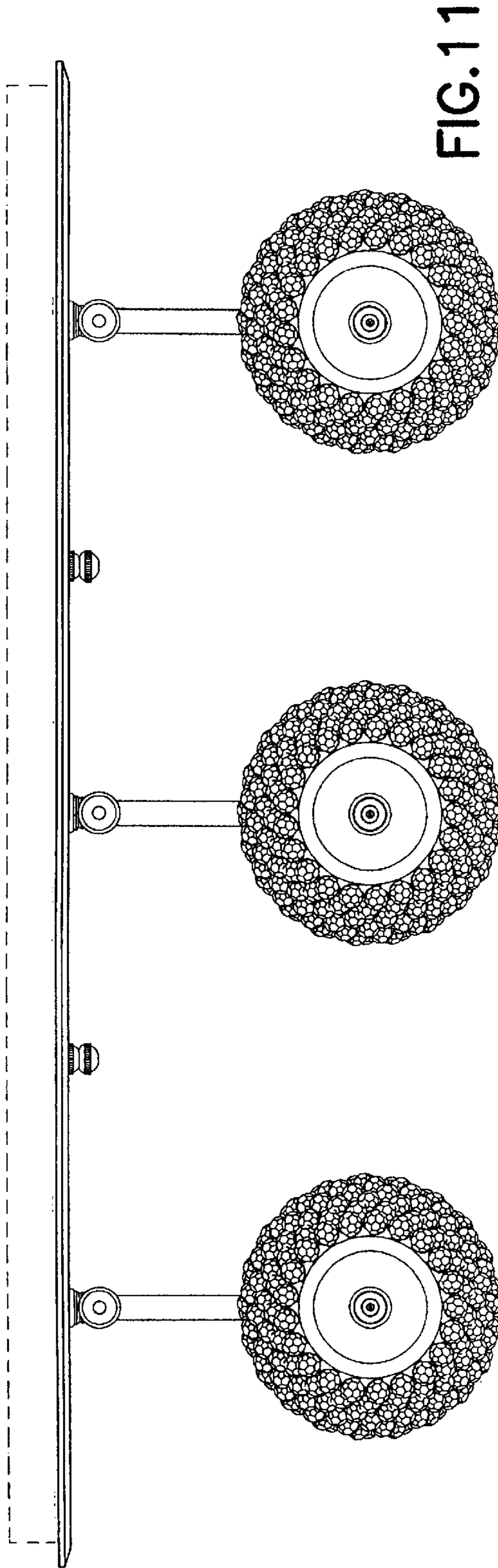


FIG. 11

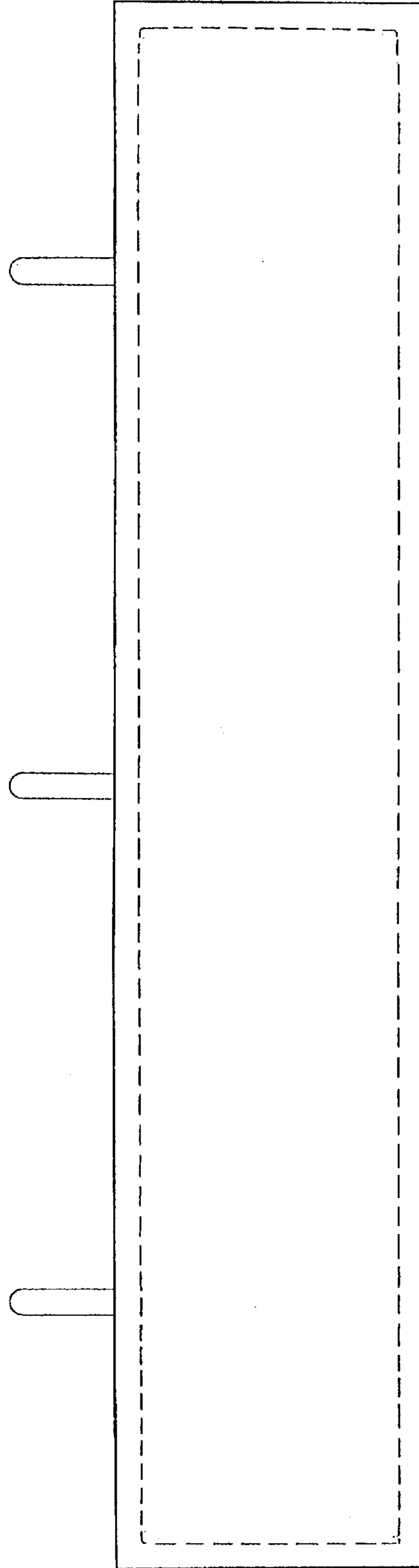


FIG.12

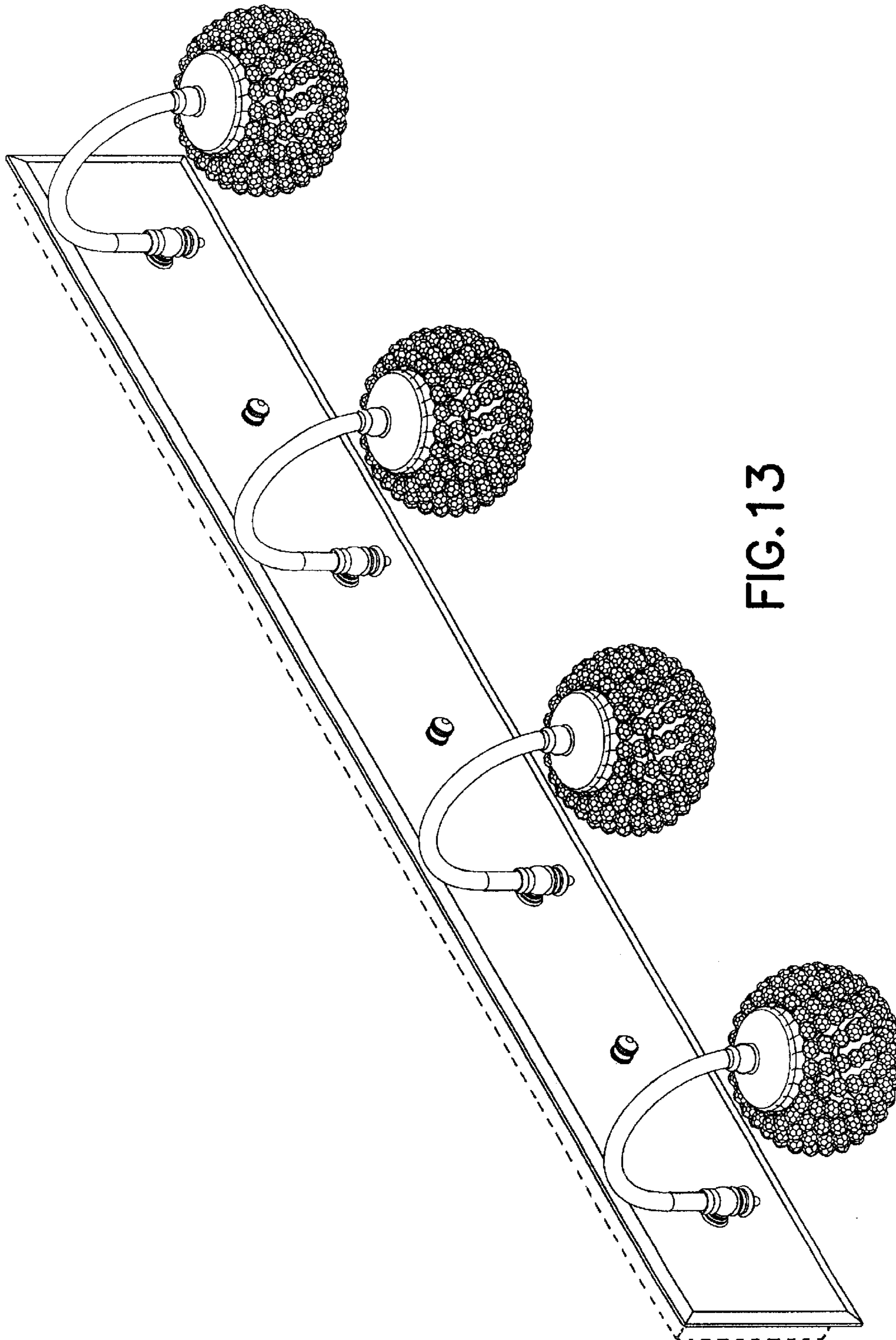


FIG.13

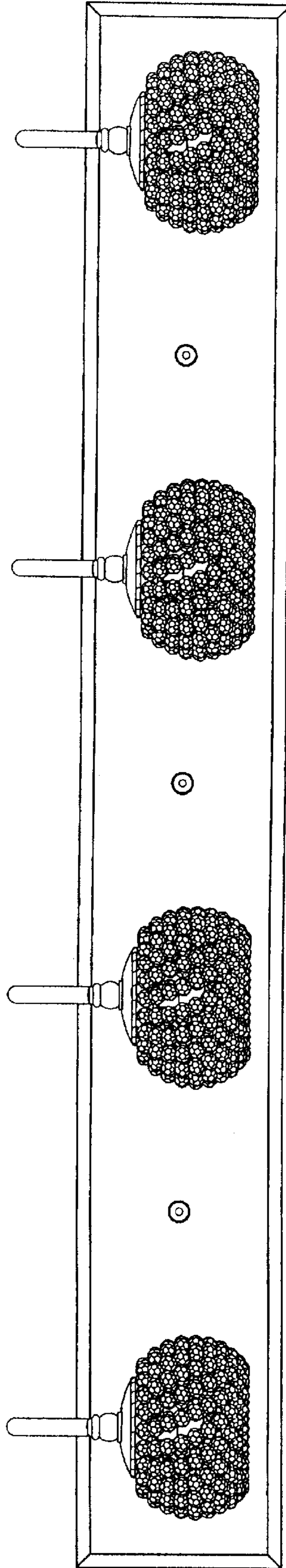
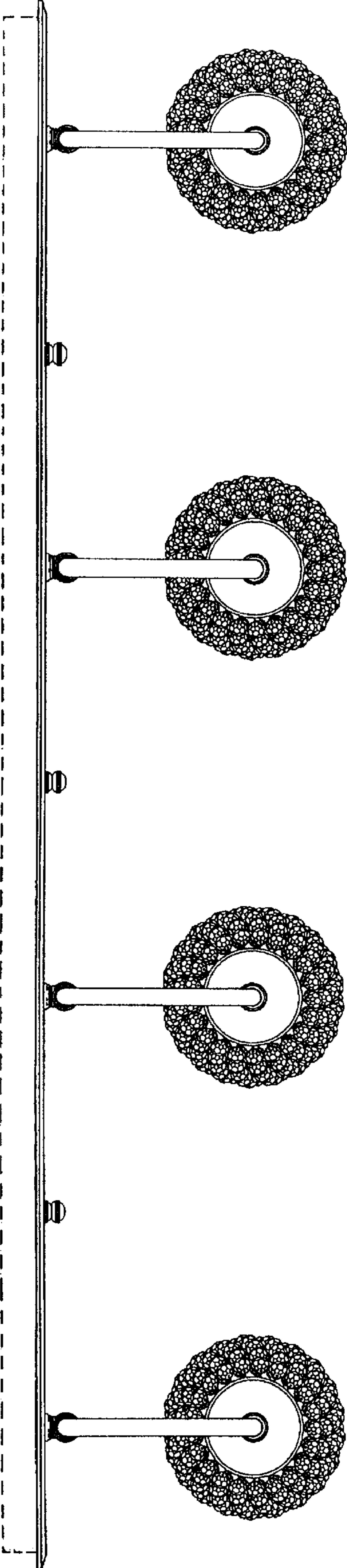


FIG.14

FIG.15



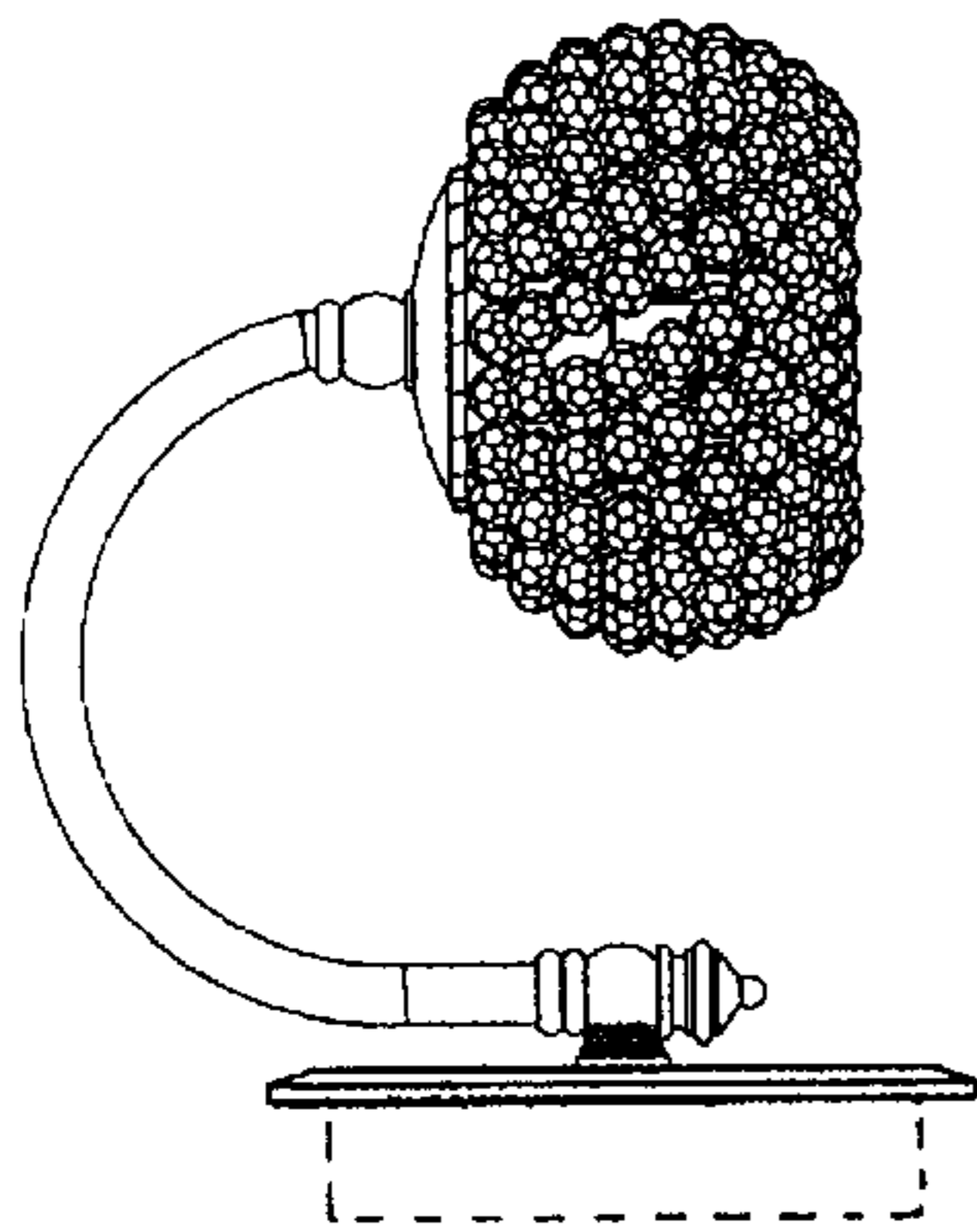


FIG. 16

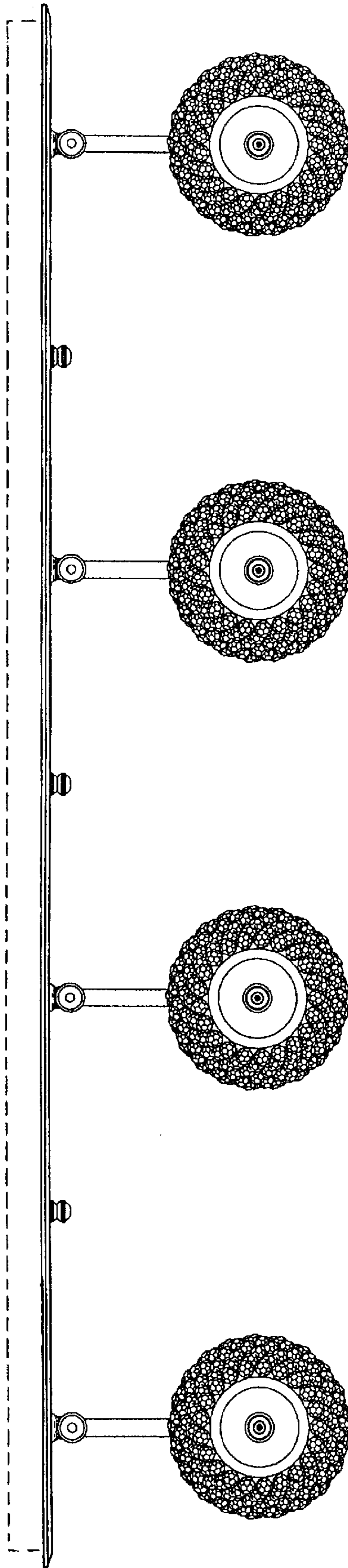
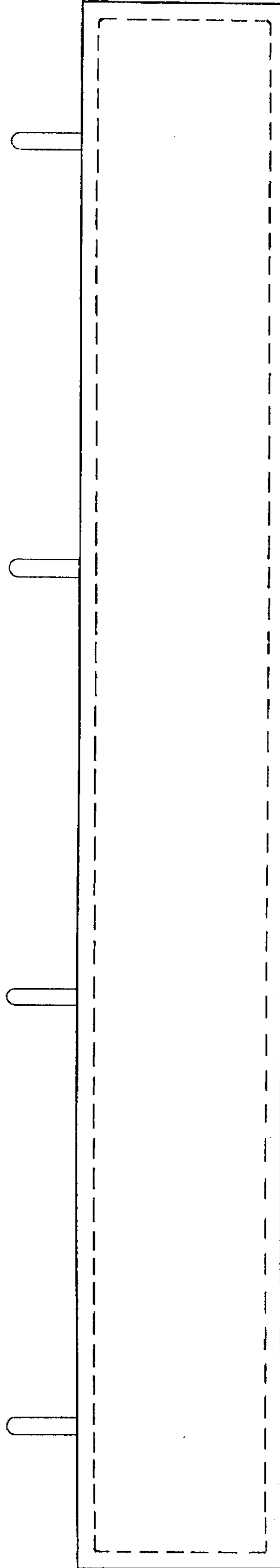


FIG. 17

FIG. 18



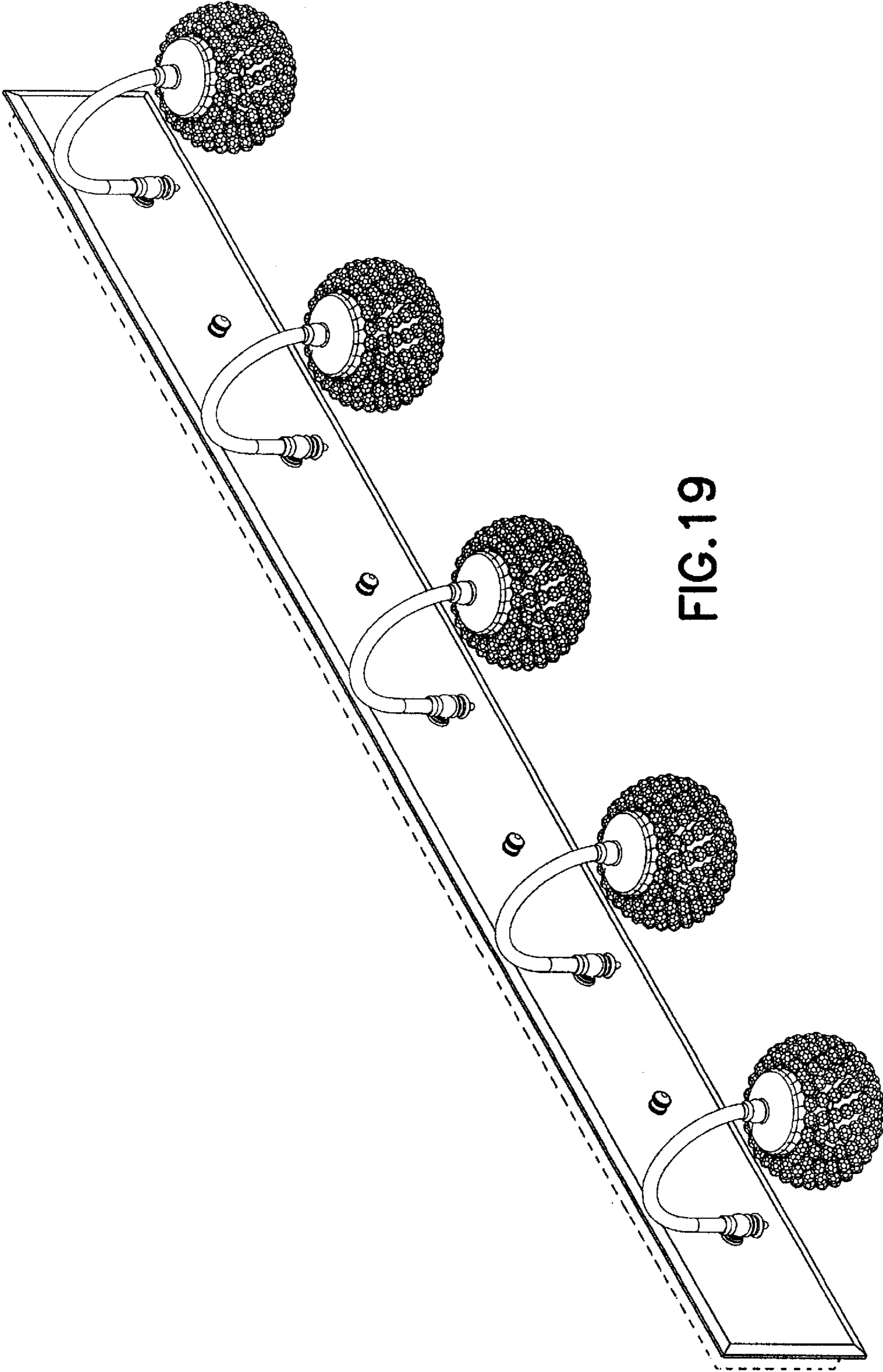


FIG.19

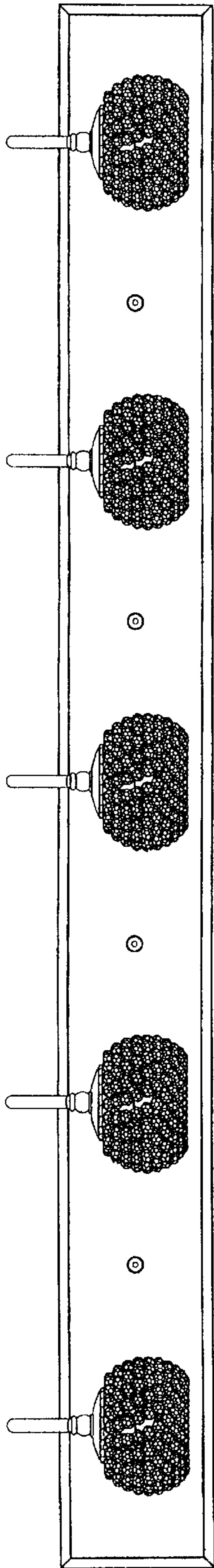


FIG. 20

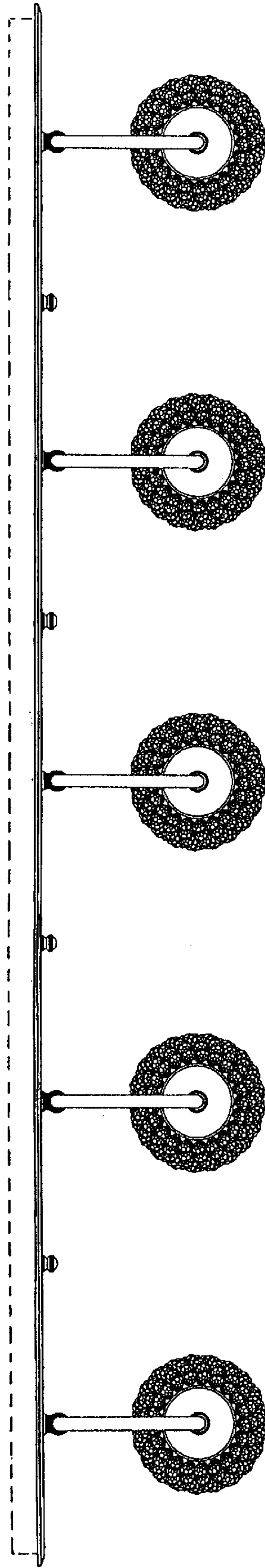


FIG. 21

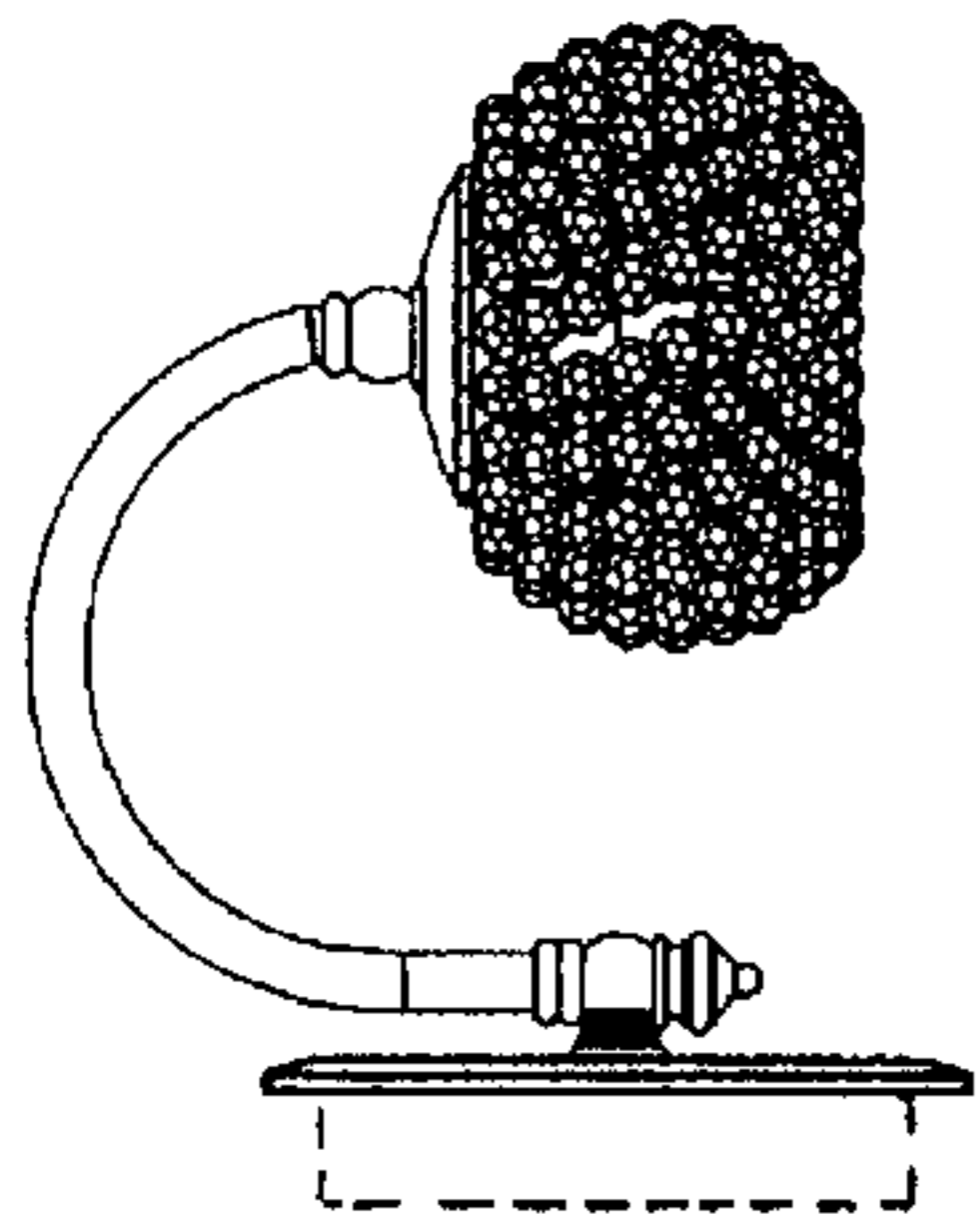


FIG. 22

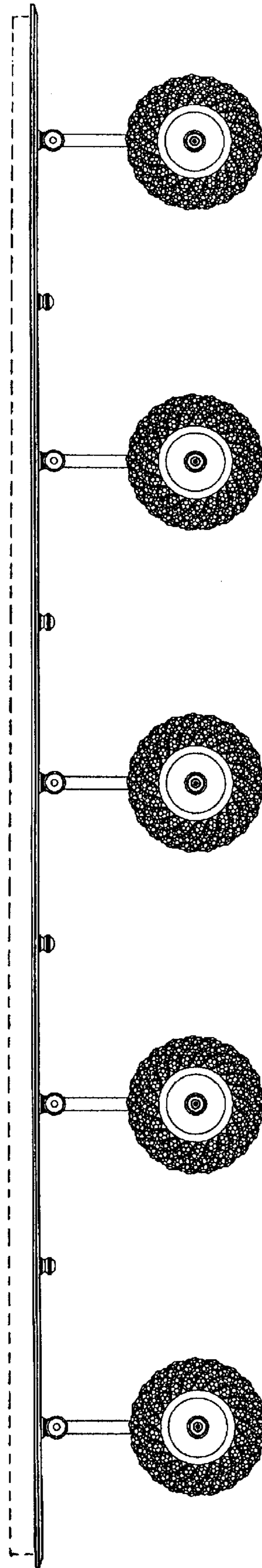


FIG. 23

FIG.24

