



US00D536468S

(12) **United States Design Patent** (10) **Patent No.:** **US D536,468 S**  
**Crosby** (45) **Date of Patent:** **\*\* Feb. 6, 2007**

(54) **LIGHTING FIXTURE**

(75) Inventor: **Doyle Crosby**, San Rafael, CA (US)

(73) Assignee: **Boyd Lighting Fixture Co.**, San Francisco, CA (US)

(\*\*) Term: **14 Years**

(21) Appl. No.: **29/205,336**

(22) Filed: **May 13, 2004**

(51) **LOC (8) Cl.** ..... **26-03**

(52) **U.S. Cl.** ..... **D26/84; D26/90**

(58) **Field of Classification Search** ..... D26/72,  
D26/74-78, 80-92; 362/215-225, 147, 404-408  
See application file for complete search history.

(56) **References Cited**

**U.S. PATENT DOCUMENTS**

D45,539 S	*	3/1914	Meyers	.....	D26/90
2,195,154 A	*	3/1940	Scott	.....	362/225
D121,094 S	*	6/1940	Heath	.....	D26/75
D139,670 S	*	12/1944	Lippincott	.....	D26/76
D162,278 S	*	3/1951	Ainsworth	.....	D26/78
D169,999 S	*	7/1953	Ainsworth	.....	D26/78
D369,426 S	*	4/1996	Sonneman	.....	D26/76
D399,020 S	*	9/1998	Lo	.....	D26/90
D412,999 S	*	8/1999	Herst et al.	.....	D26/76
D472,008 S	*	3/2003	Gulassa et al.	.....	D26/90
D481,484 S	*	10/2003	Cuevas et al.	.....	D26/84

\* cited by examiner

*Primary Examiner*—Clare E Heflin

(74) *Attorney, Agent, or Firm*—Heslin Rothenberg Farley & Mesiti P.C.

(57) **CLAIM**

The ornamental design for the lighting fixture, as shown and described.

**DESCRIPTION**

FIG. 1 is a perspective view of a lighting fixture in accordance with the new design;

FIG. 2 is a top view thereof;

FIG. 3 is a front view thereof, a rear elevational view being a mirror image thereof;

FIG. 4 is a bottom side elevational view thereof, an opposing side elevational view being a mirror image thereof;

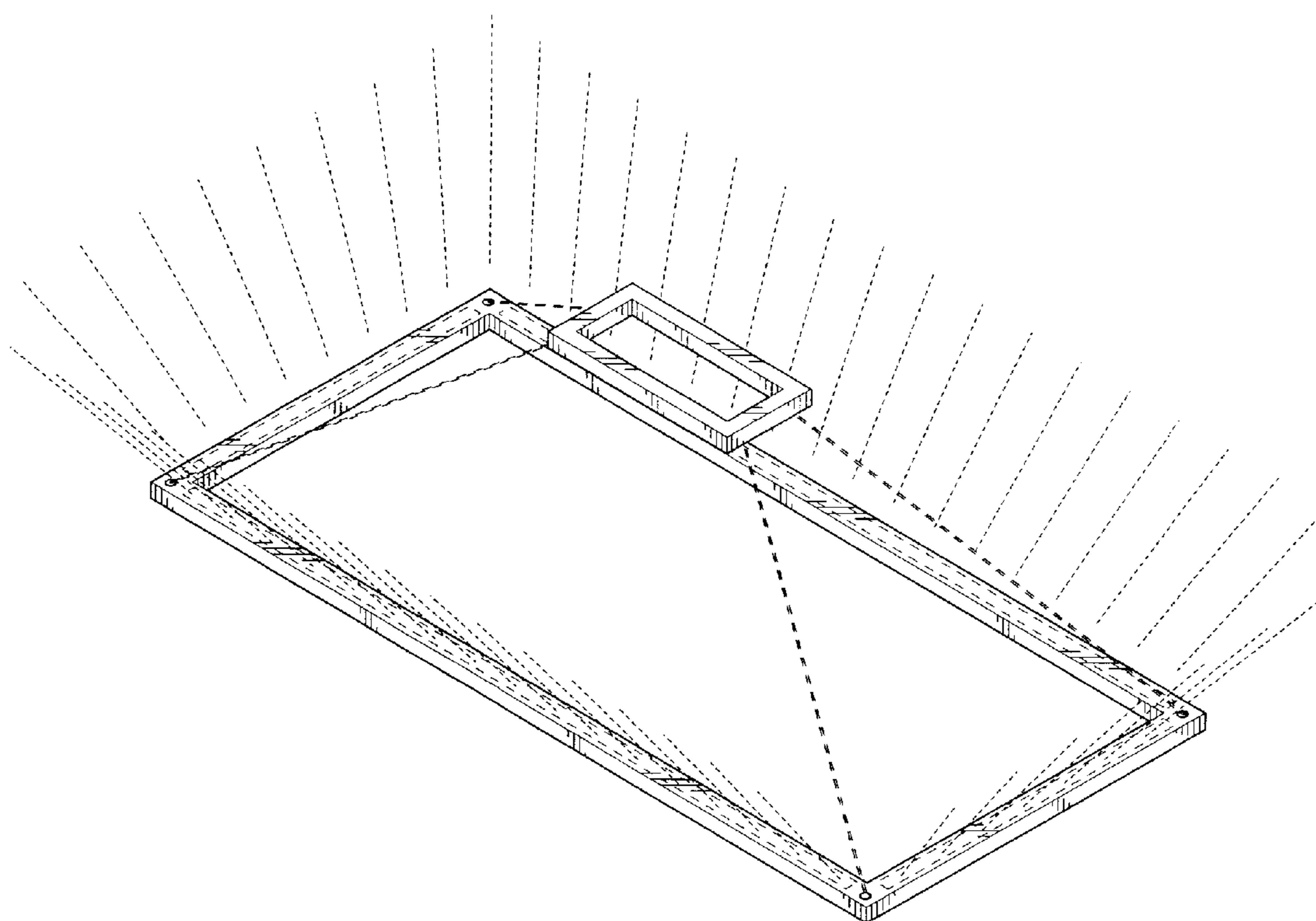
FIG. 5 is a bottom view thereof; and

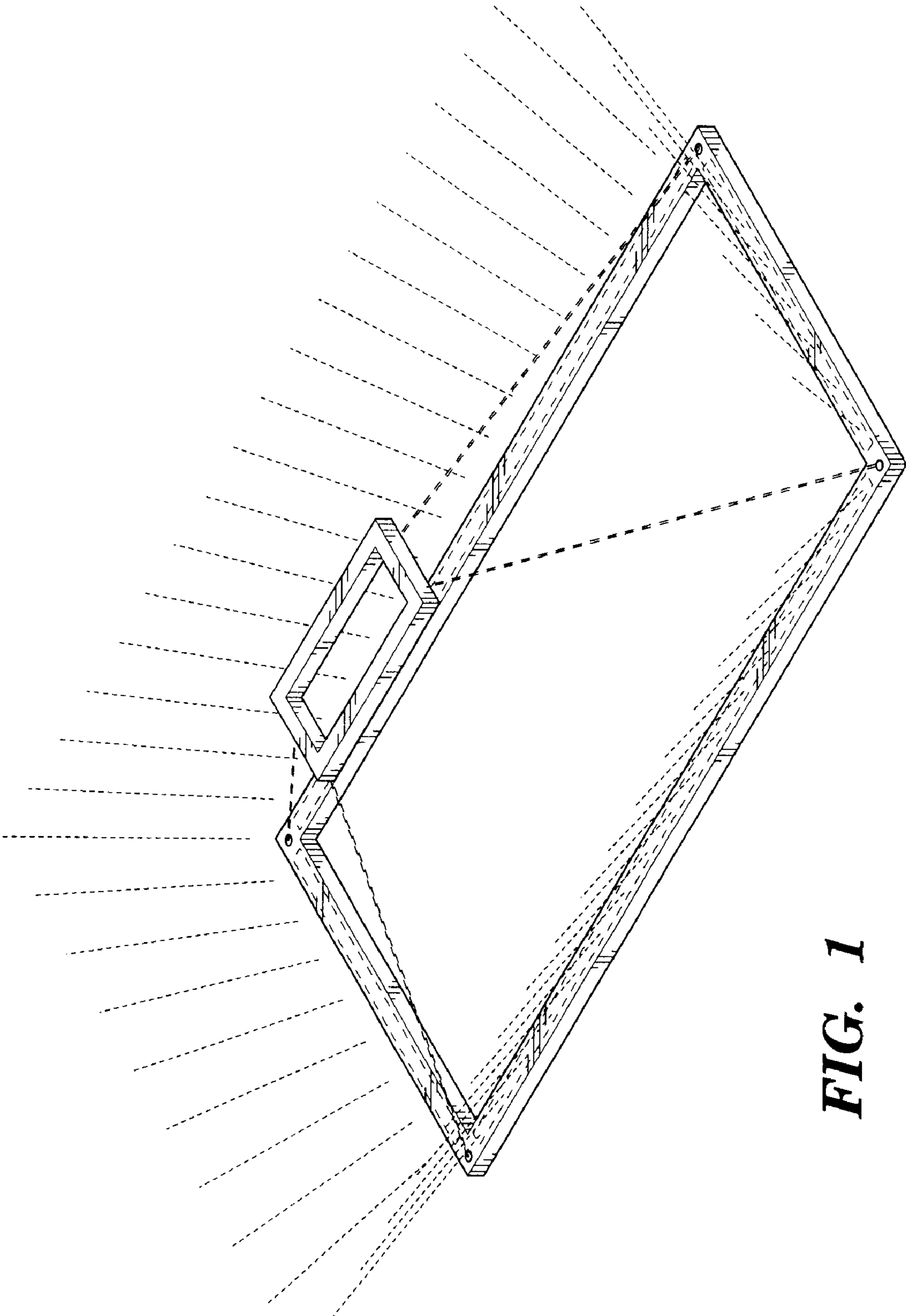
FIG. 6 is a front view of an alternative embodiment of said new design showing the top and bottom portion having indeterminable widths; and which is the sole difference between it and FIGS. 1-6; and,

FIG. 7 is a side view of an alternative embodiment of said new design showing the top and bottom portion having indeterminable widths, which is the sole difference between it and FIGS. 1-5.

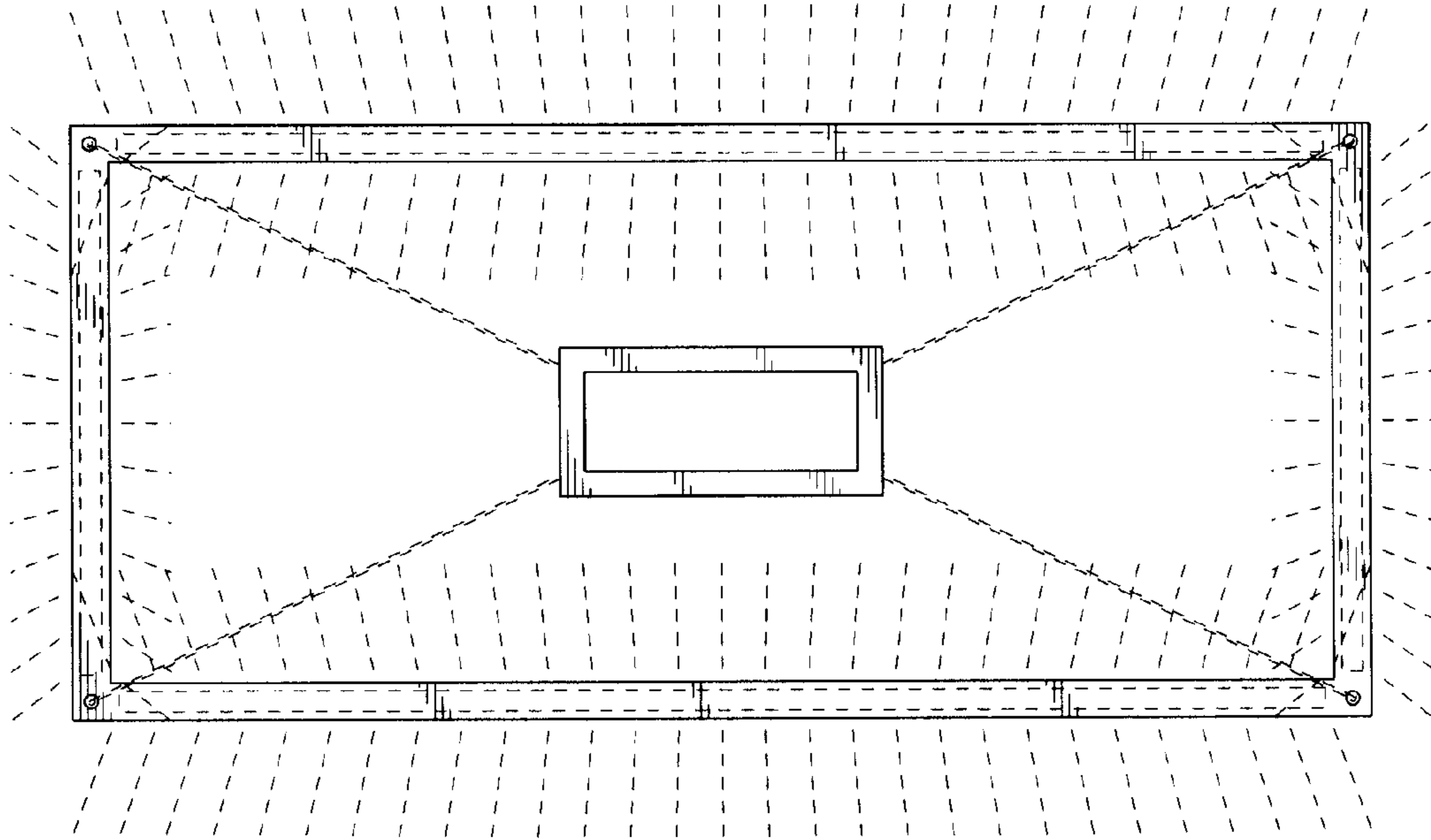
The broken lines in the figures are for illustrative purposes only and form no part of the claimed invention.

**1 Claim, 4 Drawing Sheets**

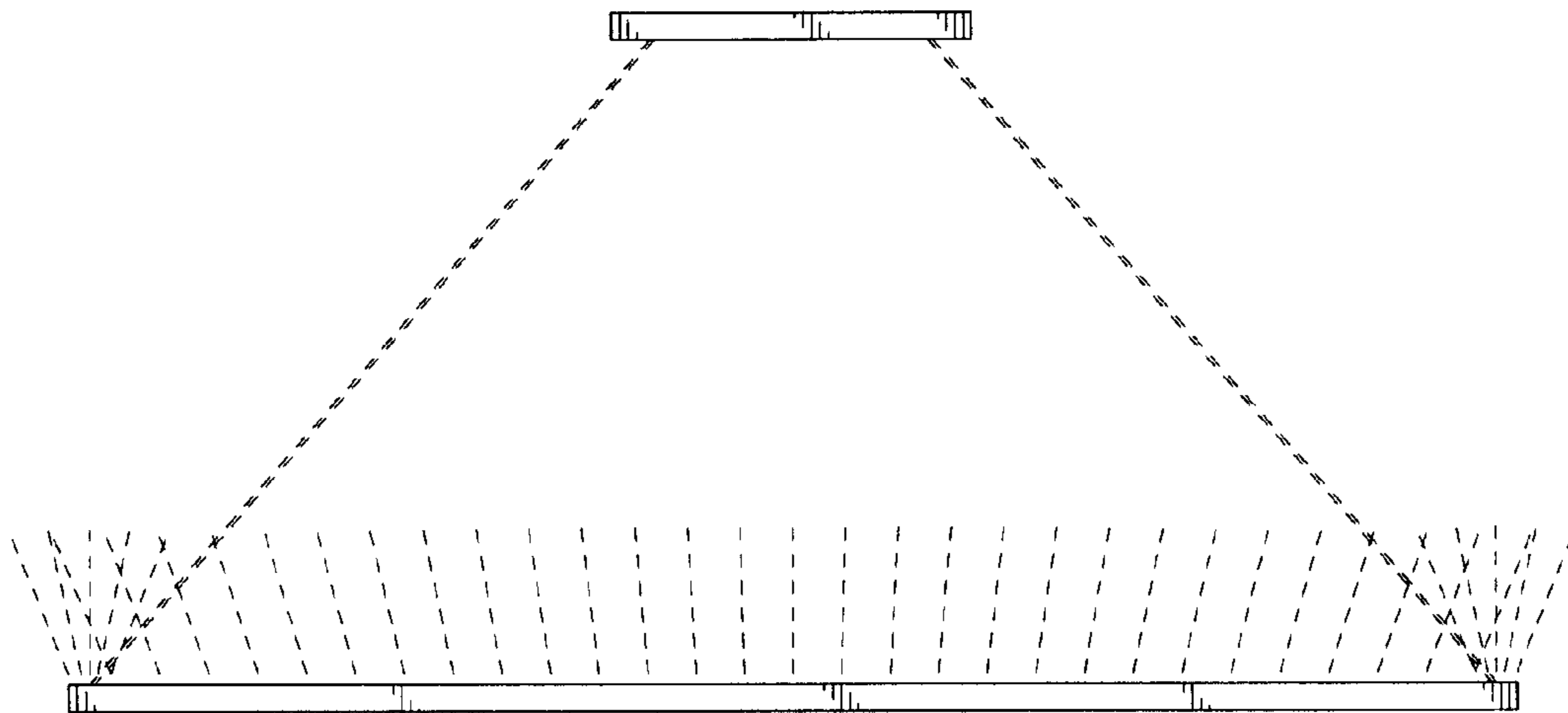




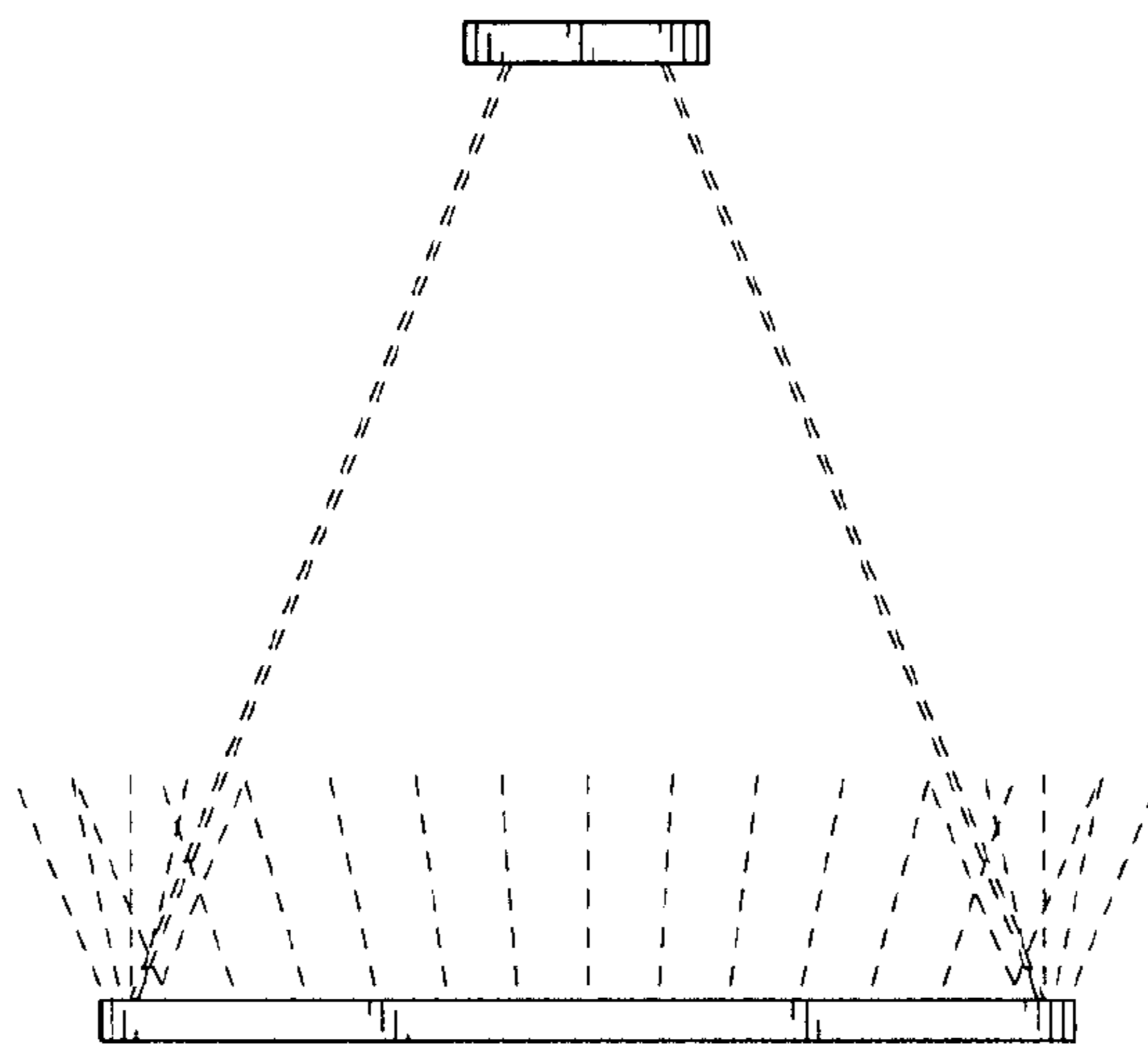
**FIG. 1**



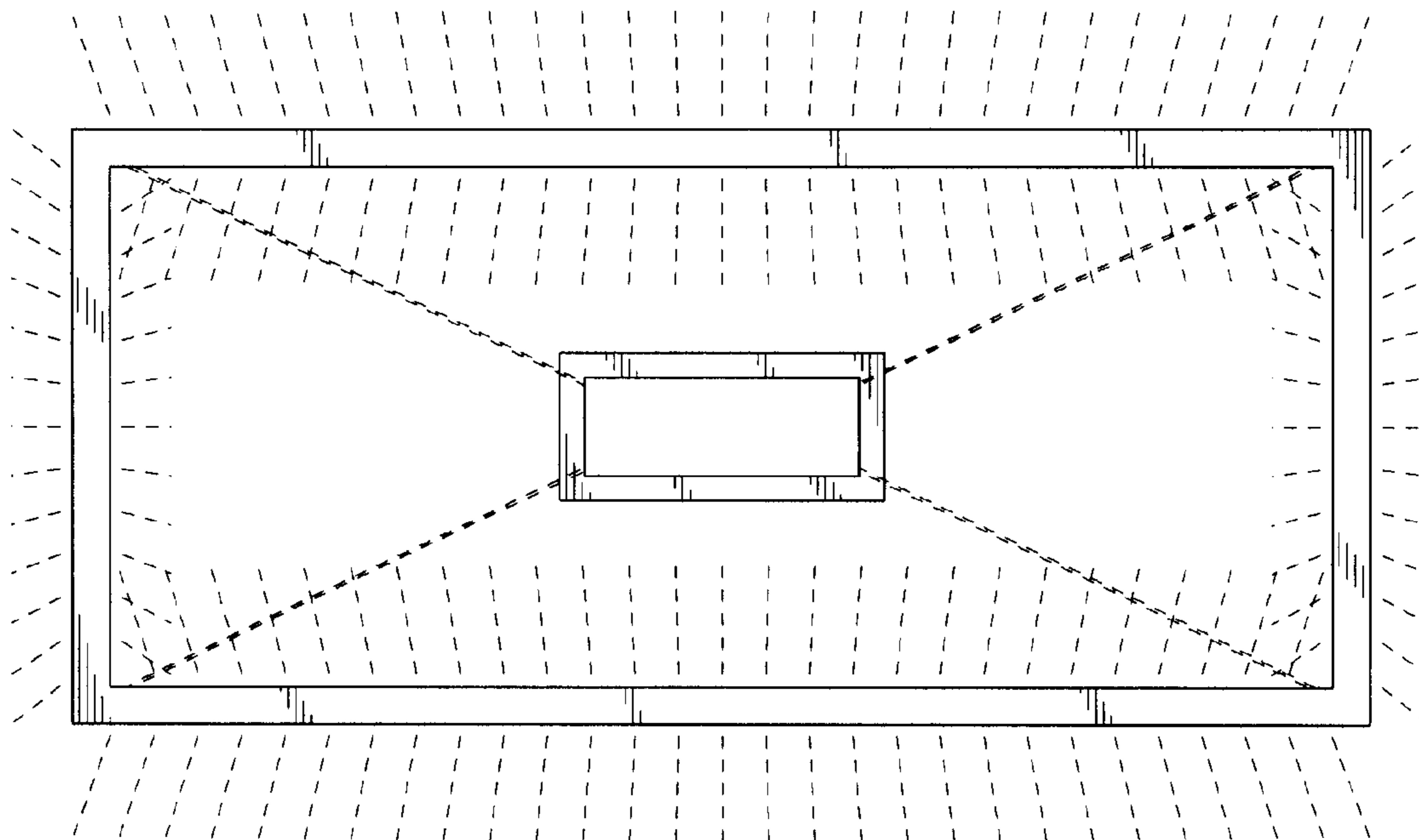
**FIG. 2**



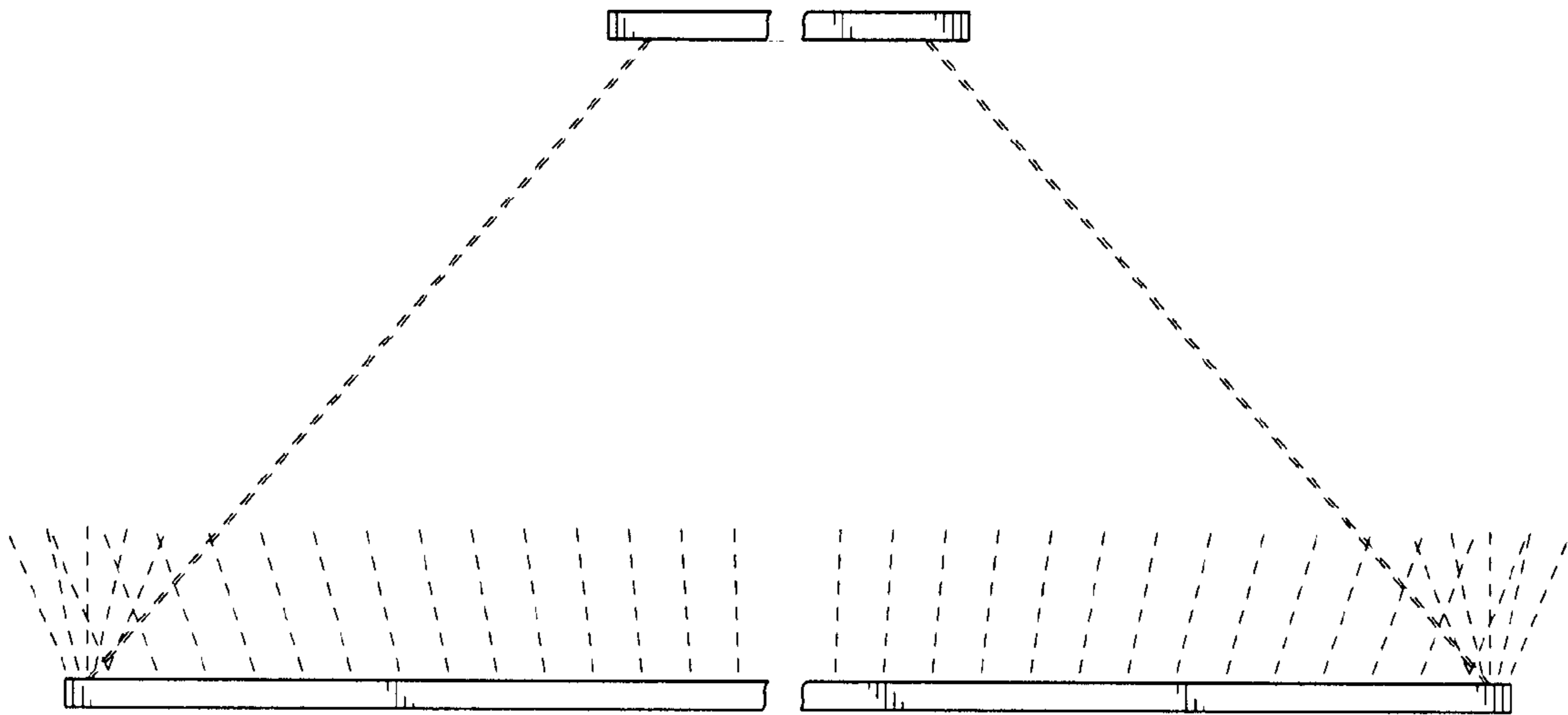
**FIG. 3**



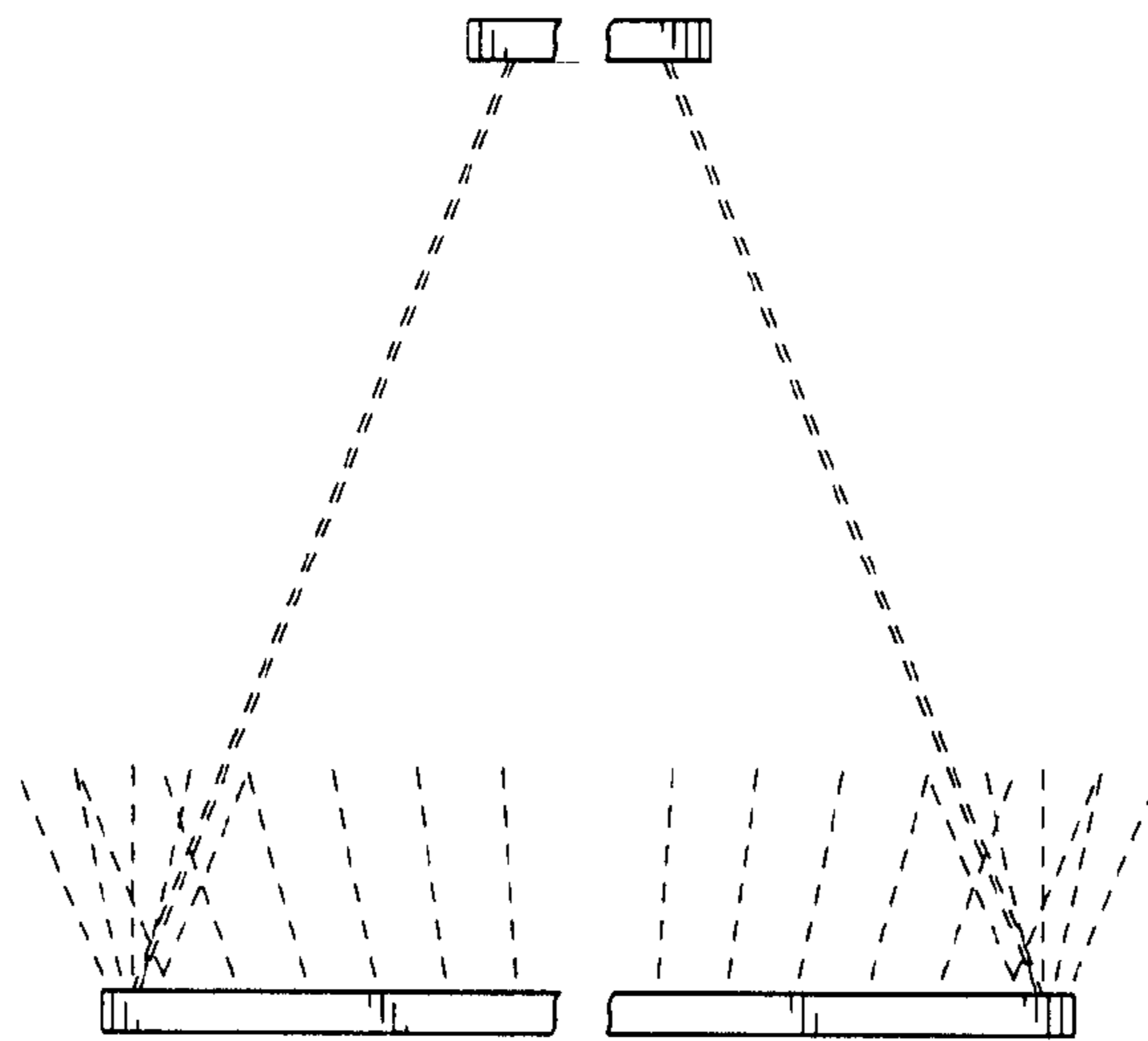
**FIG. 4**



**FIG. 5**



**FIG. 6**



**FIG. 7**

UNITED STATES PATENT AND TRADEMARK OFFICE  
**CERTIFICATE OF CORRECTION**

PATENT NO. : Des. 536,468 S  
APPLICATION NO. : 29/205336  
DATED : February 6, 2007  
INVENTOR(S) : Doyle Crosby

Page 1 of 1

It is certified that error appears in the above-identified patent and that said Letters Patent is hereby corrected as shown below:

In Description, FIG. 16, delete, "and which is the sole difference between it and FIGS. 1-6" and insert -- and which is the sole difference between it and FIGS. 1-5 --

Signed and Sealed this

Tenth Day of April, 2007

A handwritten signature in black ink on a light gray dotted background. The signature reads "Jon W. Dudas" in a cursive style.

JON W. DUDAS

*Director of the United States Patent and Trademark Office*