



US00D536466S

(12) **United States Design Patent**
Pan

(10) **Patent No.:** **US D536,466 S**

(45) **Date of Patent:** **** Feb. 6, 2007**

(54) **CEILING FAN LIGHT KIT**

D483,464 S 12/2003 Tai

D483,465 S 12/2003 Tai

(75) Inventor: **Peter Pan**, Shetzu (TW)

D483,847 S 12/2003 Tai

D483,848 S 12/2003 Tai

(73) Assignee: **Air Cool Industrial Co., Ltd.**,
Taichung (TW)

D483,849 S 12/2003 Tai

D483,850 S 12/2003 Tai

D484,588 S 12/2003 Tai

(**) Term: **14 Years**

(Continued)

(21) Appl. No.: **29/244,537**

Primary Examiner—Lisa Lichtenstein

(22) Filed: **Dec. 8, 2005**

(74) *Attorney, Agent, or Firm*—Morrison & Foerster LLP

(51) **LOC (8) Cl.** **26-05**

(57) **CLAIM**

(52) **U.S. Cl.** **D26/59**

The ornamental design for a ceiling fan light kit, as shown and described.

(58) **Field of Classification Search** D26/59,
D26/51, 72, 80–86, 73; D23/377, 379, 385,
D23/411; 362/96; 416/5

DESCRIPTION

See application file for complete search history.

FIG. 1 is a perspective view of a ceiling having a light kit constructed in accordance with the present invention, the ceiling fan illustrates an environment for said light kit; FIG. 2 is an enlarged side view of a light kit in accordance with the present invention; FIG. 3 is an enlarged side view of the light kit in accordance with the present invention; FIG. 4 is yet an enlarged side view of the light kit in accordance with the present invention; FIG. 5 is yet an enlarged side view of the light kit in accordance with the present invention; FIG. 6 is a top view of the light kit in accordance with the present invention; FIG. 7 is a bottom view of the light kit in accordance with the present invention; FIG. 8 is a perspective view of the light kit in accordance with the present invention; and, FIG. 9 is another perspective view of the light kit in accordance with the present invention.

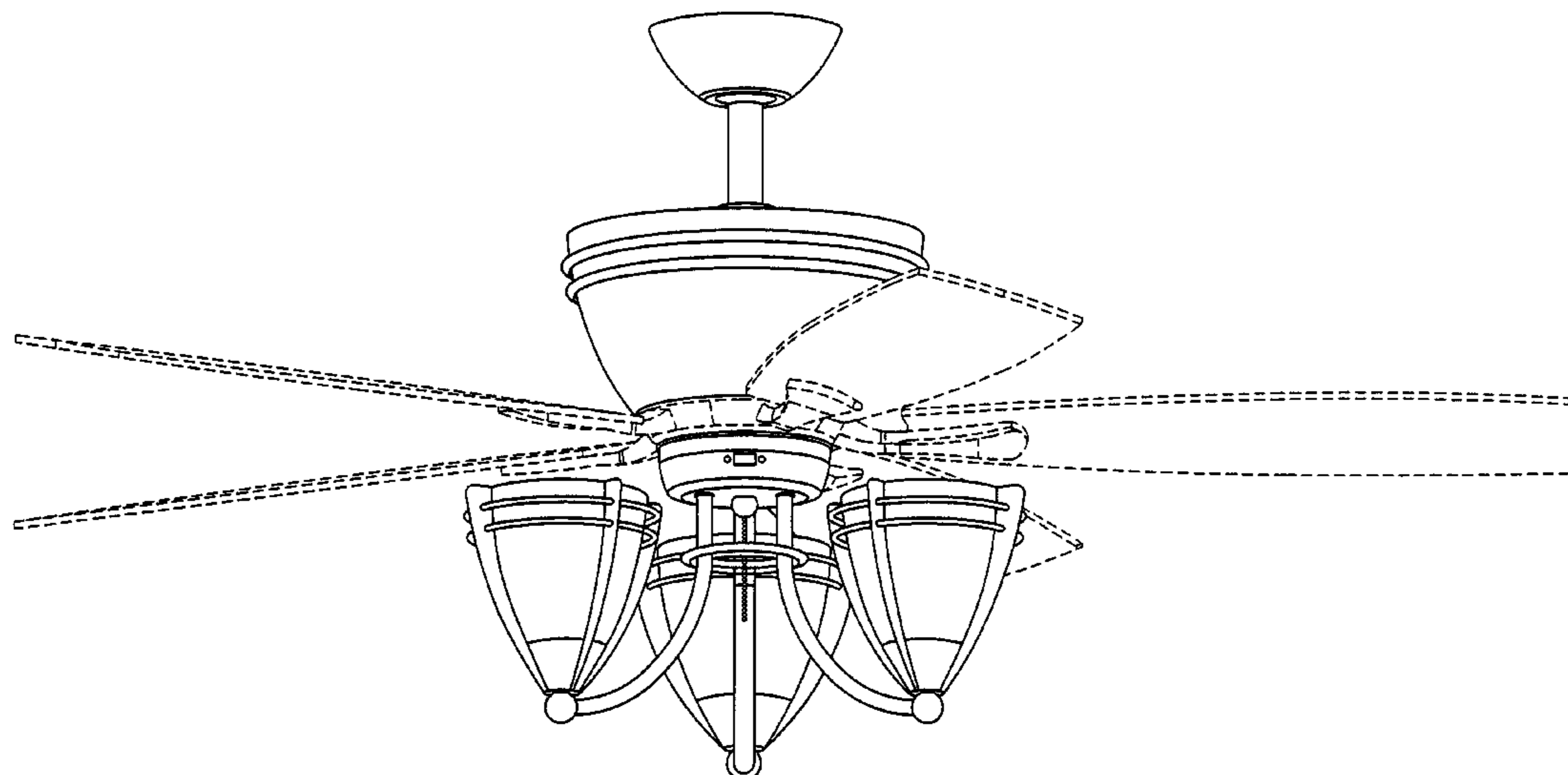
(56) **References Cited**

U.S. PATENT DOCUMENTS

D369,405 S	*	4/1996	Holbrook	D23/411
5,508,484 A		4/1996	Chen		
D396,530 S		7/1998	Tai		
D404,808 S		1/1999	Tai		
D404,809 S		1/1999	Tai		
D405,878 S		2/1999	Tai		
D408,073 S		4/1999	Tai		
D408,074 S		4/1999	Tai		
D408,516 S		4/1999	Tai		
D409,297 S		5/1999	Tai		
D414,860 S	*	10/1999	Thomas, Jr.	D23/411
6,059,531 A		5/2000	Tai		
6,135,618 A		10/2000	Tai		
6,259,025 B1		7/2001	Tai		
6,379,116 B1		4/2002	Tai		
D457,947 S		5/2002	Tai		
6,392,146 B1		5/2002	Tai		
D458,675 S		6/2002	Tai		
D460,208 S	*	7/2002	Dolan	D26/86
D478,381 S		8/2003	Tai		
D483,463 S		12/2003	Tai		

The broken line showing of environmental structure is for illustrative purposes only and forms no part of the claimed design.

1 Claim, 9 Drawing Sheets



US D536,466 S

Page 2

U.S. PATENT DOCUMENTS

D484,969 S	1/2004	Tai		D503,473 S	3/2005	Tai
D485,344 S	1/2004	Tai		D503,474 S	3/2005	Tai
D485,609 S	1/2004	Tai		D503,475 S	3/2005	Tai
D485,611 S	1/2004	Tai		D503,476 S	3/2005	Tai
D485,897 S	1/2004	Tai		D503,795 S	4/2005	Tai
D486,215 S	* 2/2004	Hsieh D23/377	D504,173 S	4/2005	Cohen
D490,888 S	6/2004	Tai		D505,197 S	5/2005	Tai
D494,705 S	8/2004	Tai		D505,724 S	5/2005	Tai
D501,578 S	2/2005	Tai		D507,644 S	7/2005	Tai
D503,472 S	3/2005	Tai		D507,830 S	7/2005	Pan

* cited by examiner

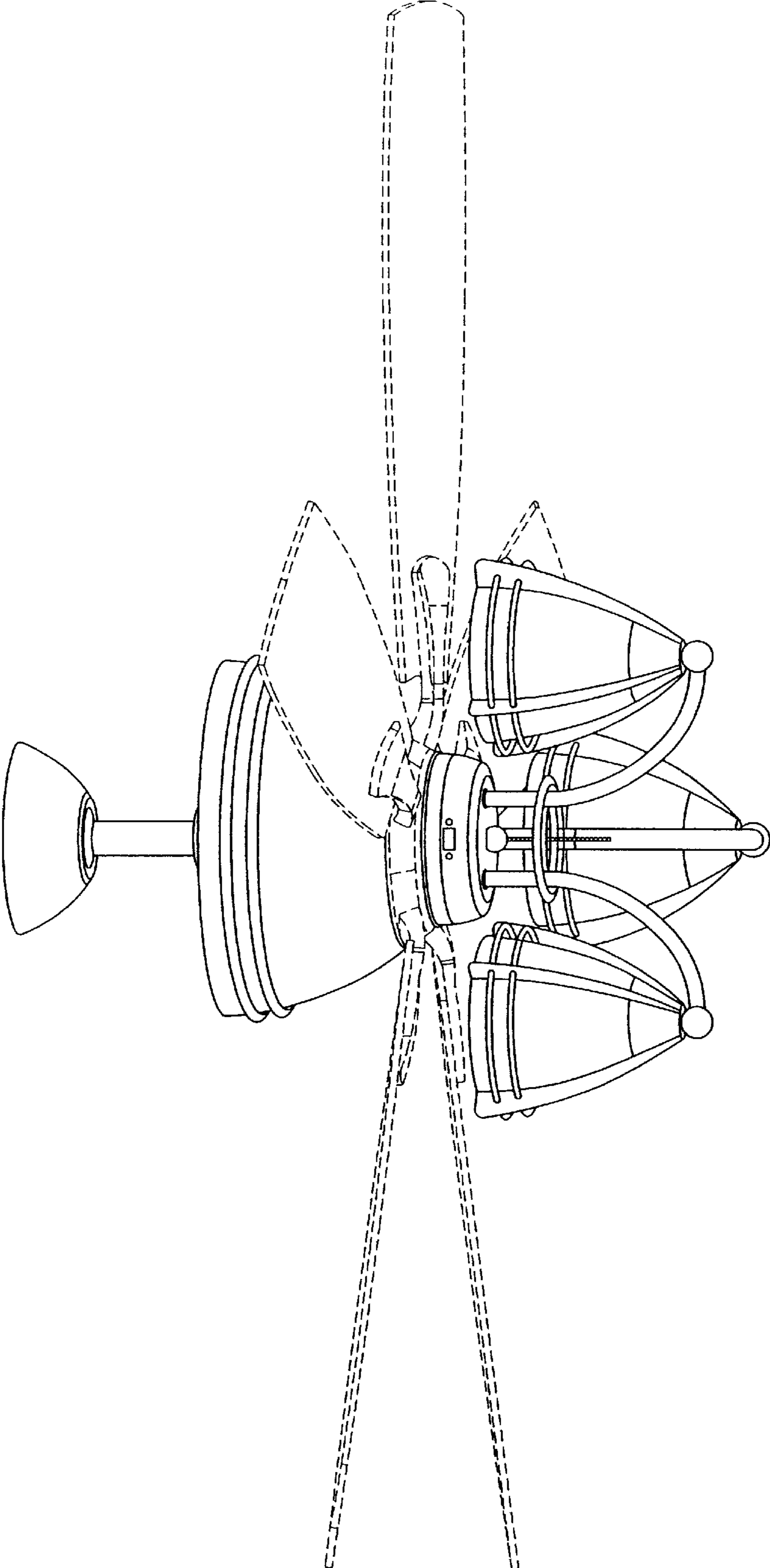


FIG. 1

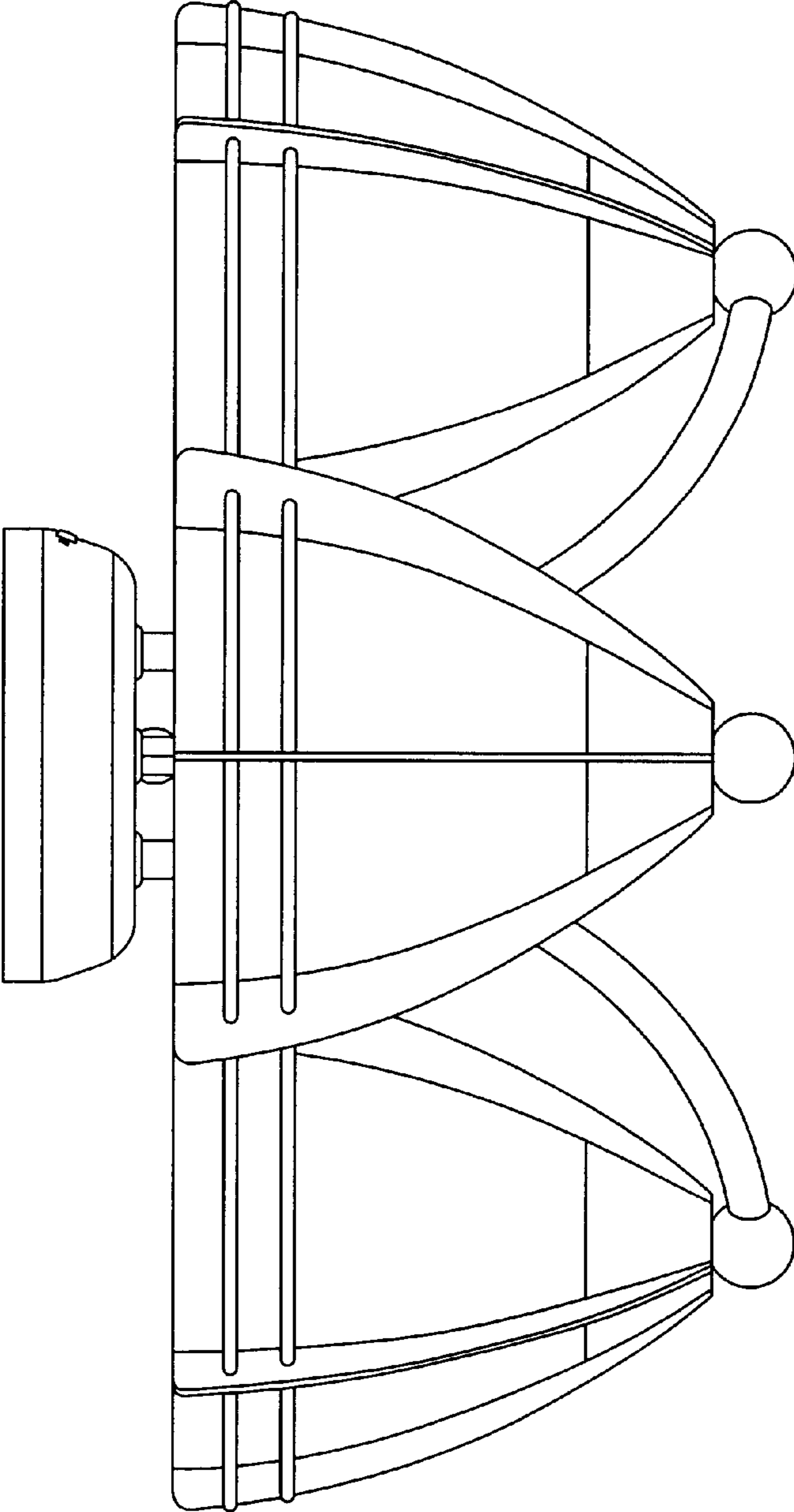


FIG. 2

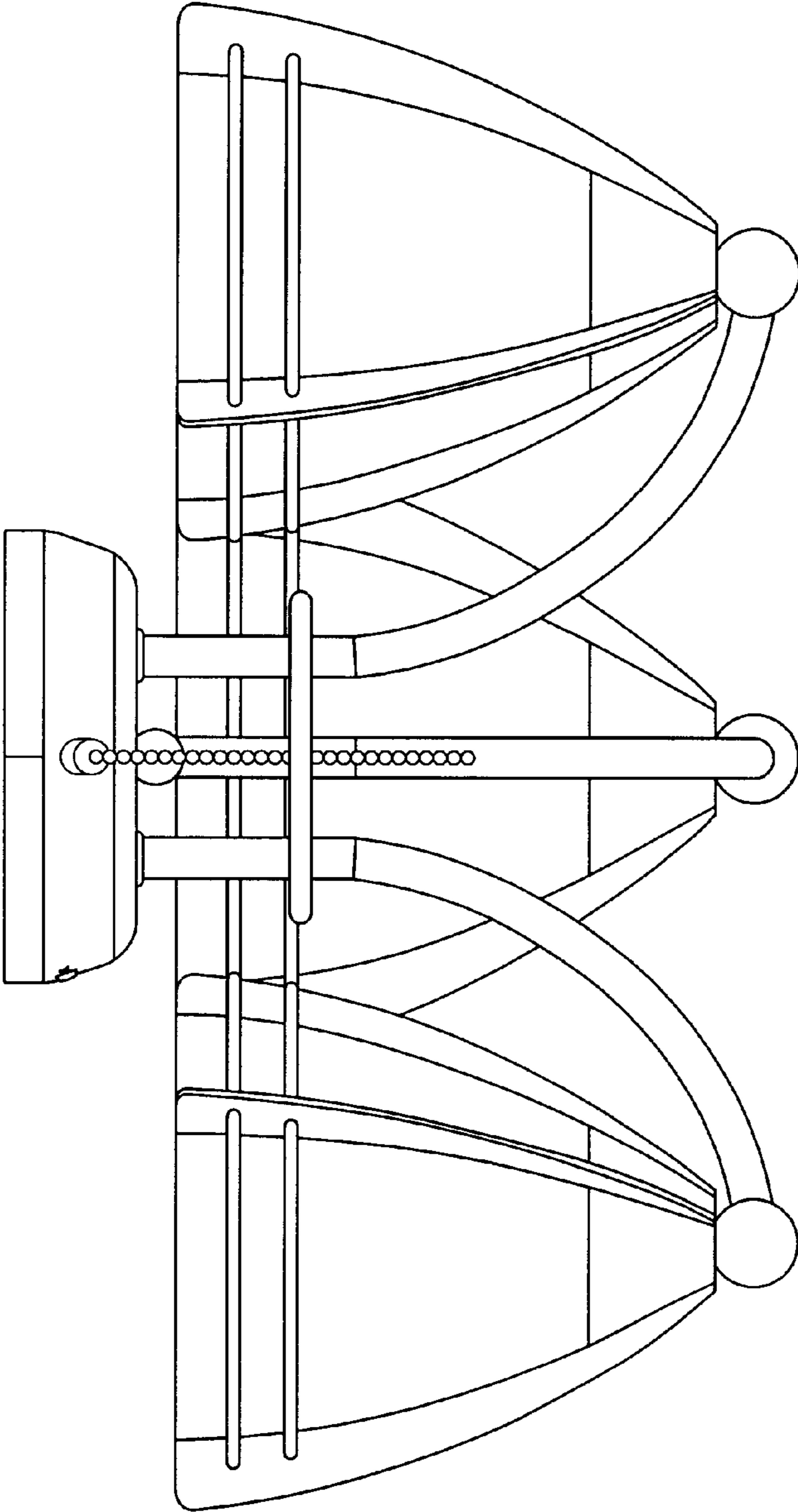


FIG. 3

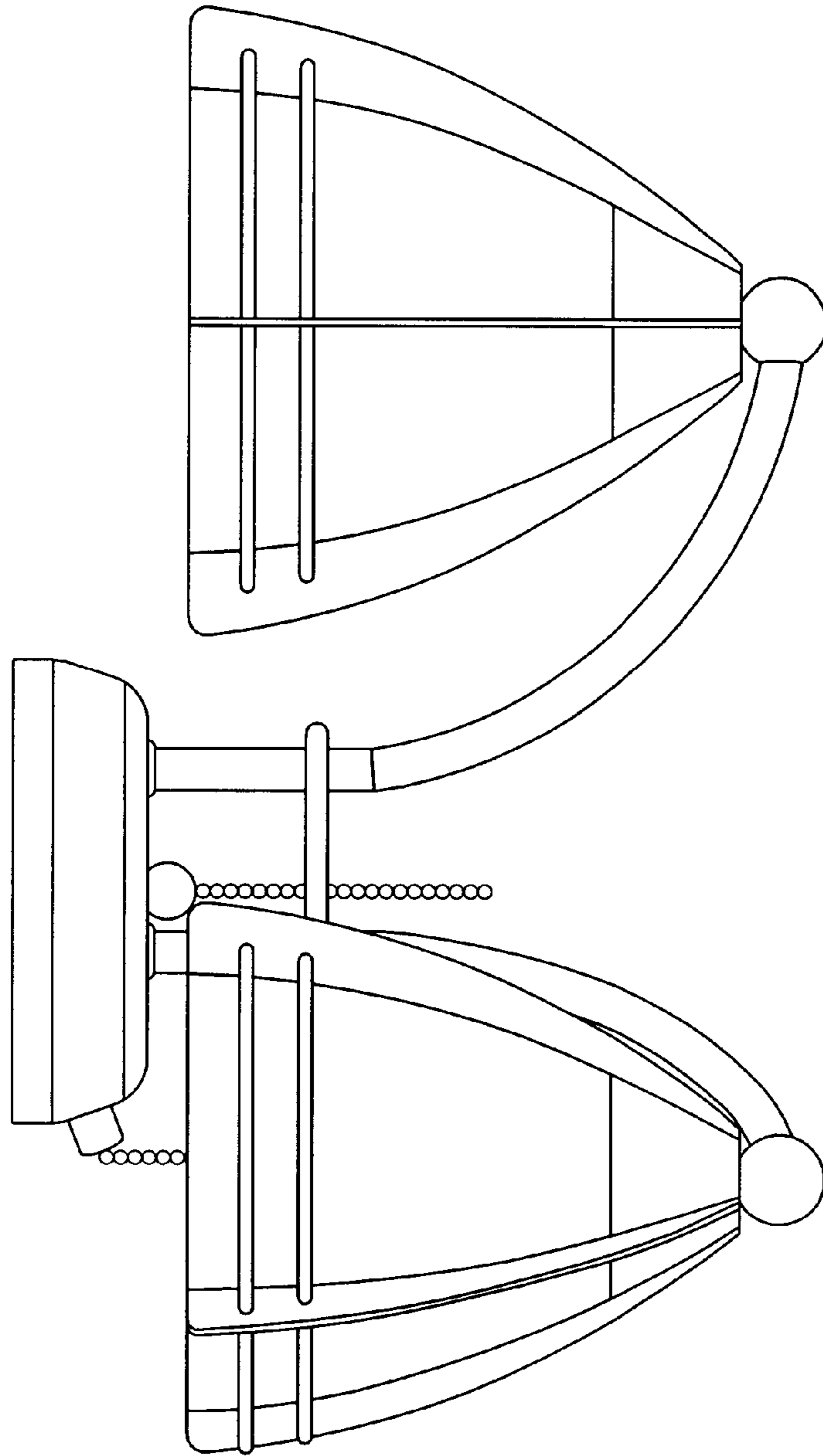


FIG. 4

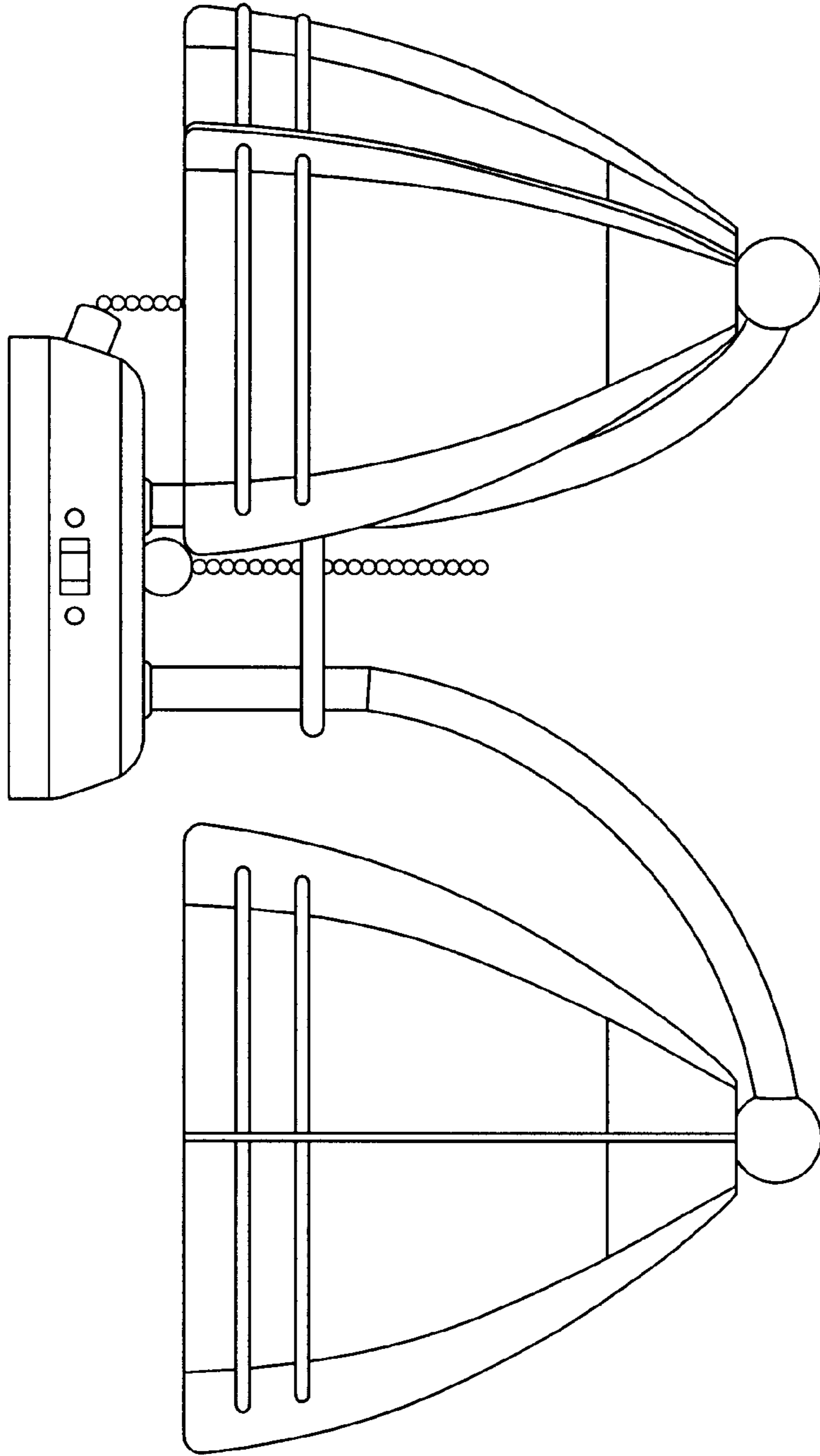


FIG. 5

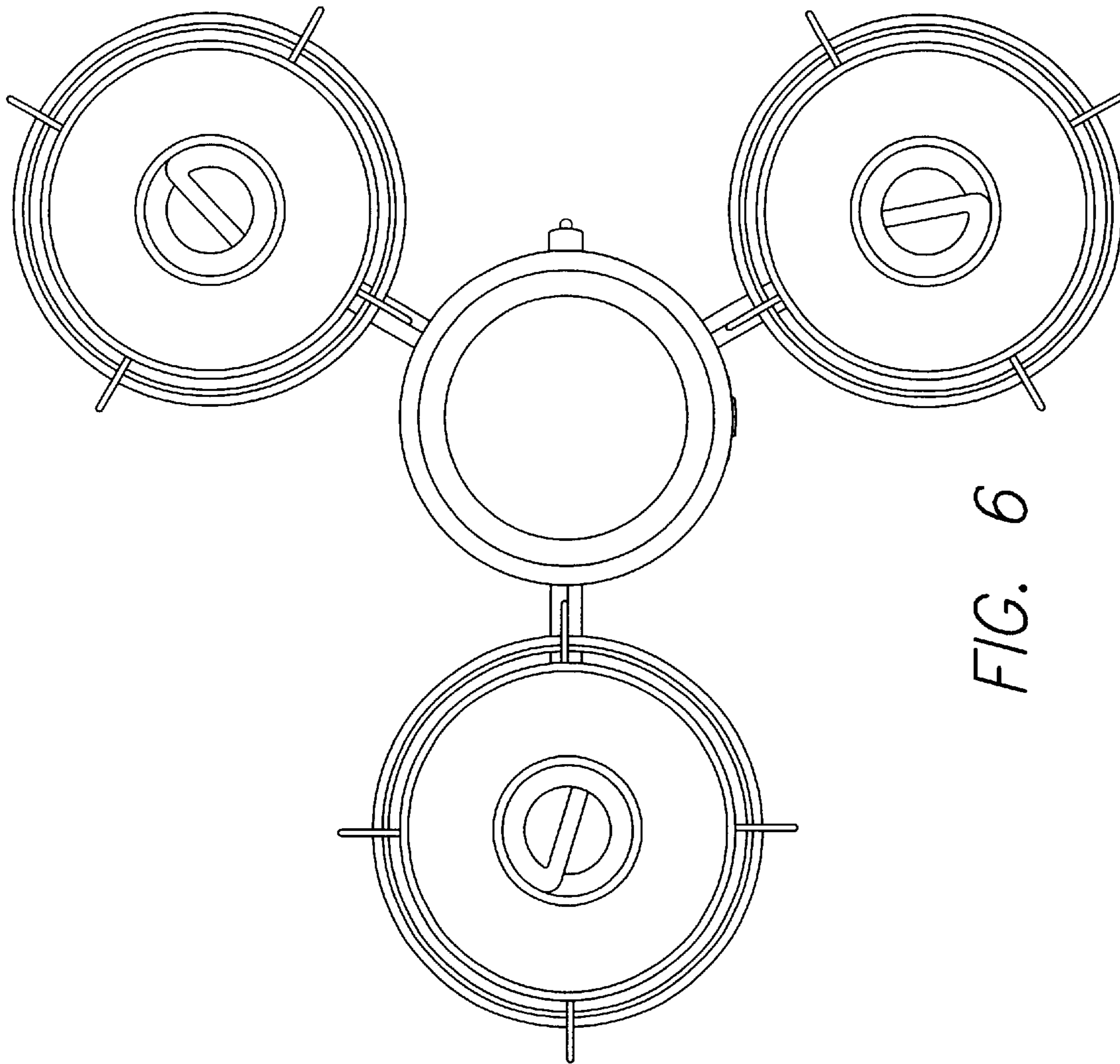


FIG. 6

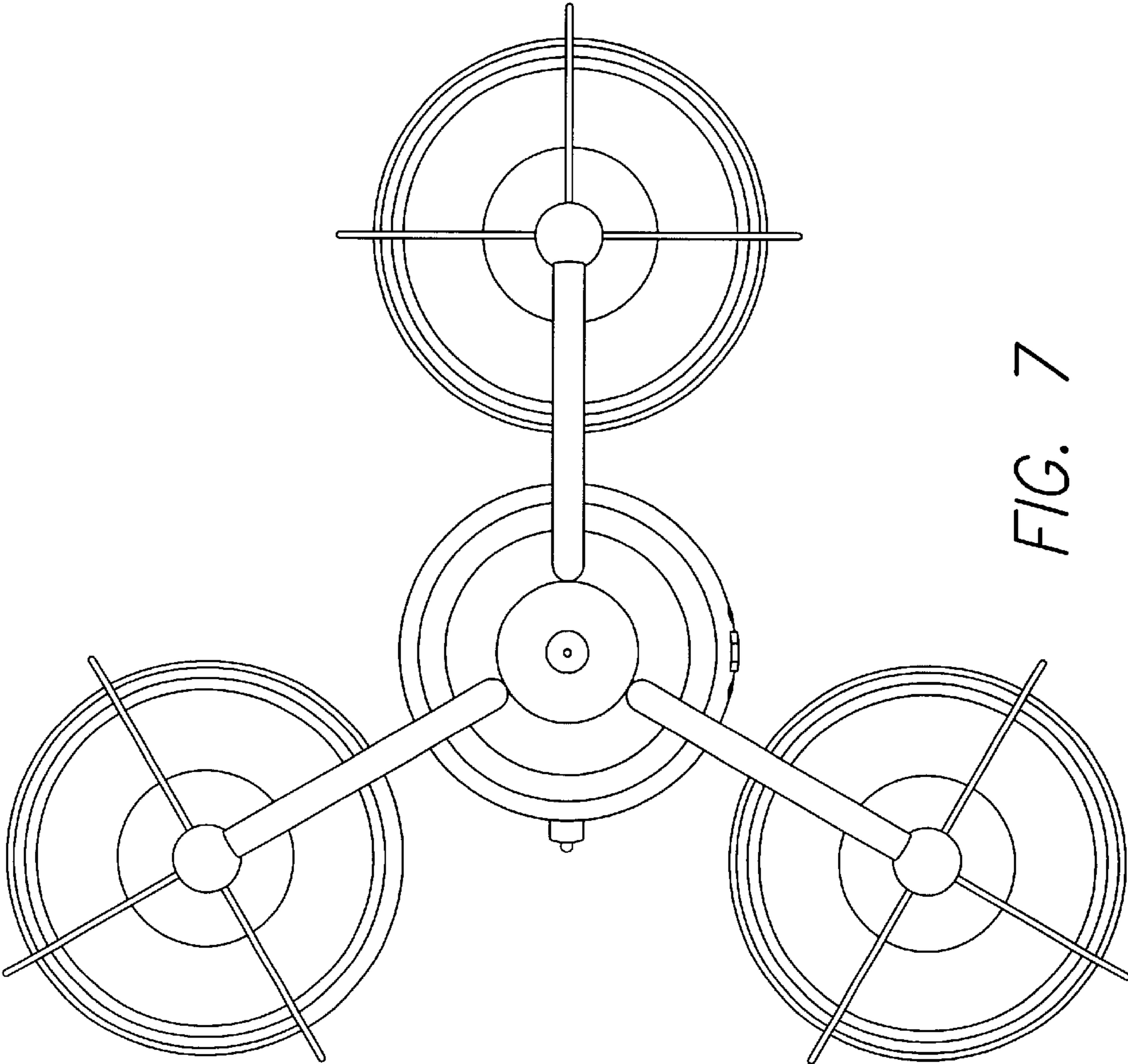


FIG. 7

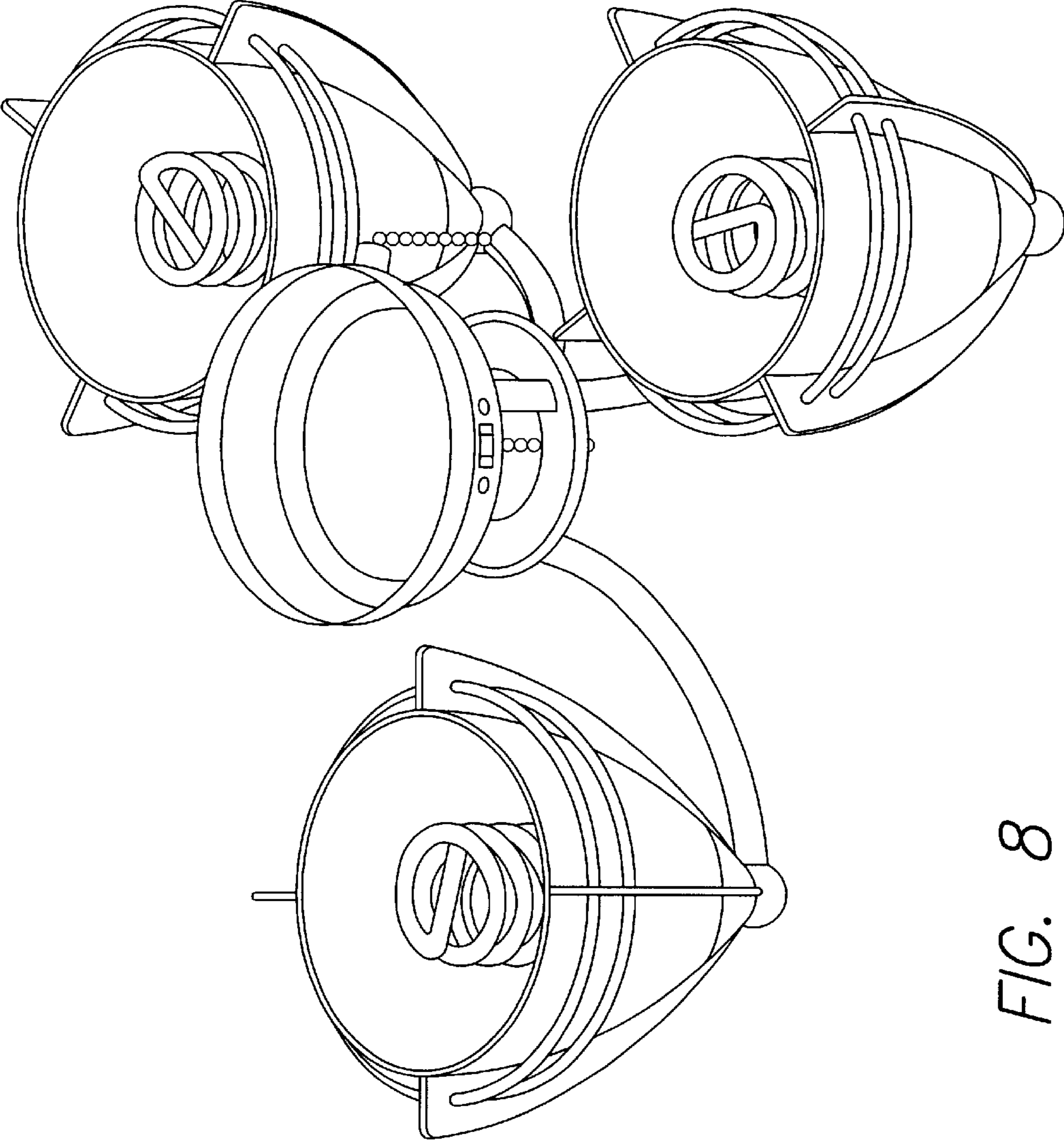


FIG. 8

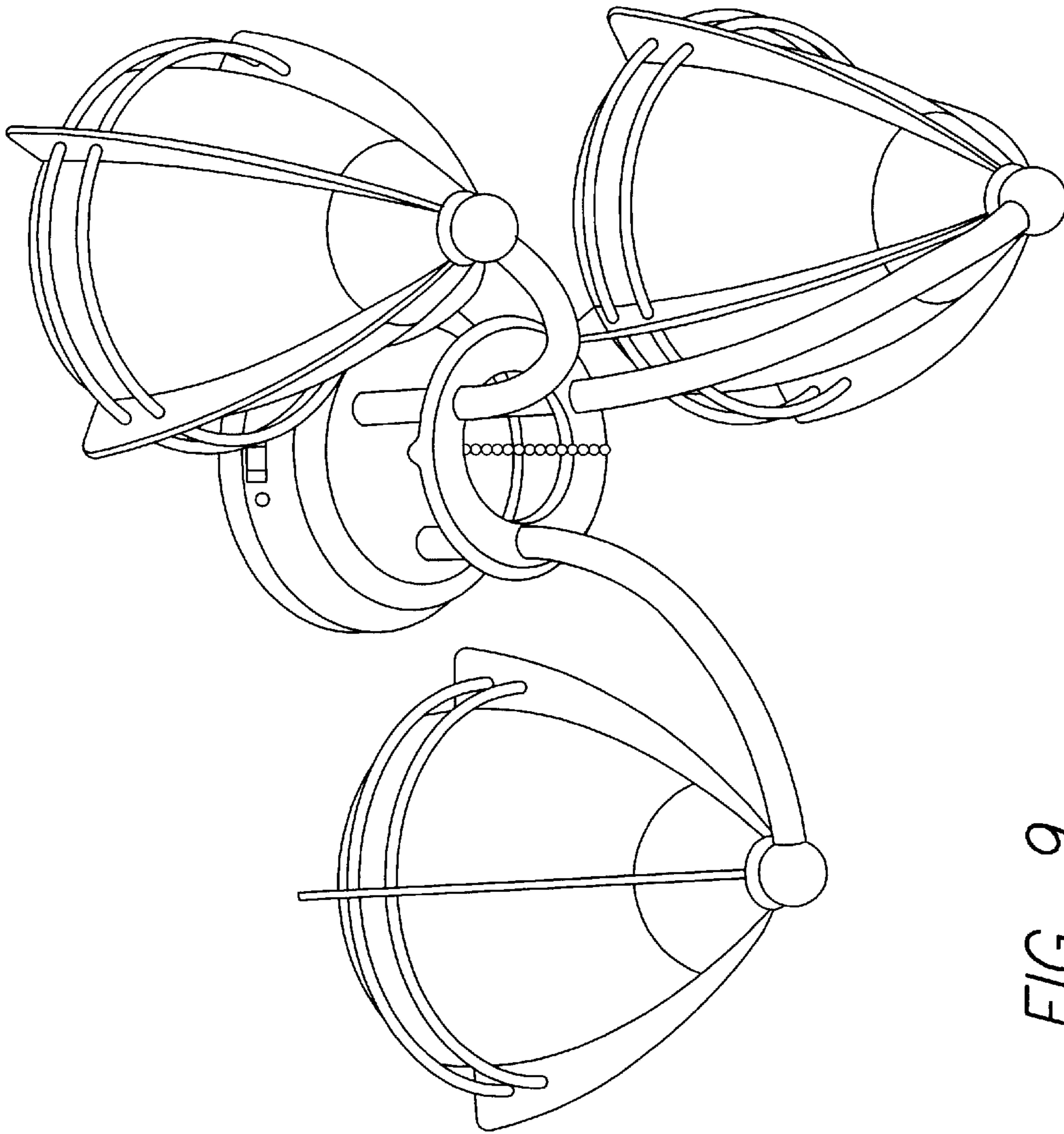


FIG. 9