



US00D536464S

(12) **United States Design Patent** (10) **Patent No.:** **US D536,464 S**
Kingston et al. (45) **Date of Patent:** **** Feb. 6, 2007**

(54) **FLASHLIGHT**

(75) Inventors: **Ronald J. Kingston**, Syracuse, NY (US); **Scott W. Osiecki**, Skaneateles, NY (US); **Garth R. Gibby**, Syracuse, NY (US)

(73) Assignee: **Eveready Battery Company, Inc.**, St. Louis, MO (US)

(**) Term: **14 Years**

(21) Appl. No.: **29/240,722**

(22) Filed: **Oct. 18, 2005**

(51) **LOC (8) Cl.** **26-02**

(52) **U.S. Cl.** **D26/43**

(58) **Field of Classification Search** D26/37-50;
362/157, 158, 171-174, 183-208

See application file for complete search history.

(56) **References Cited**

U.S. PATENT DOCUMENTS

5,971,562 A * 10/1999 Yang 362/184
6,641,279 B1 * 11/2003 Williams 362/184
D512,791 S * 12/2005 Ping D26/43

* cited by examiner

Primary Examiner—Marcus A. Jackson

(74) *Attorney, Agent, or Firm*—Michael C. Pophal

(57) **CLAIM**

We claim the ornamental design for a flashlight, as shown and described.

DESCRIPTION

FIG. 1 is a right bottom view of the flashlight of the present invention;

FIG. 2 is a left top view of the flashlight of the present invention;

FIG. 3 is a left side view of the flashlight of the present invention;

FIG. 4 is a right side view of the flashlight of the present invention;

FIG. 5 is a right side view (up) of the flashlight of the present invention;

FIG. 6 is a right side view (down) of the flashlight of the present invention;

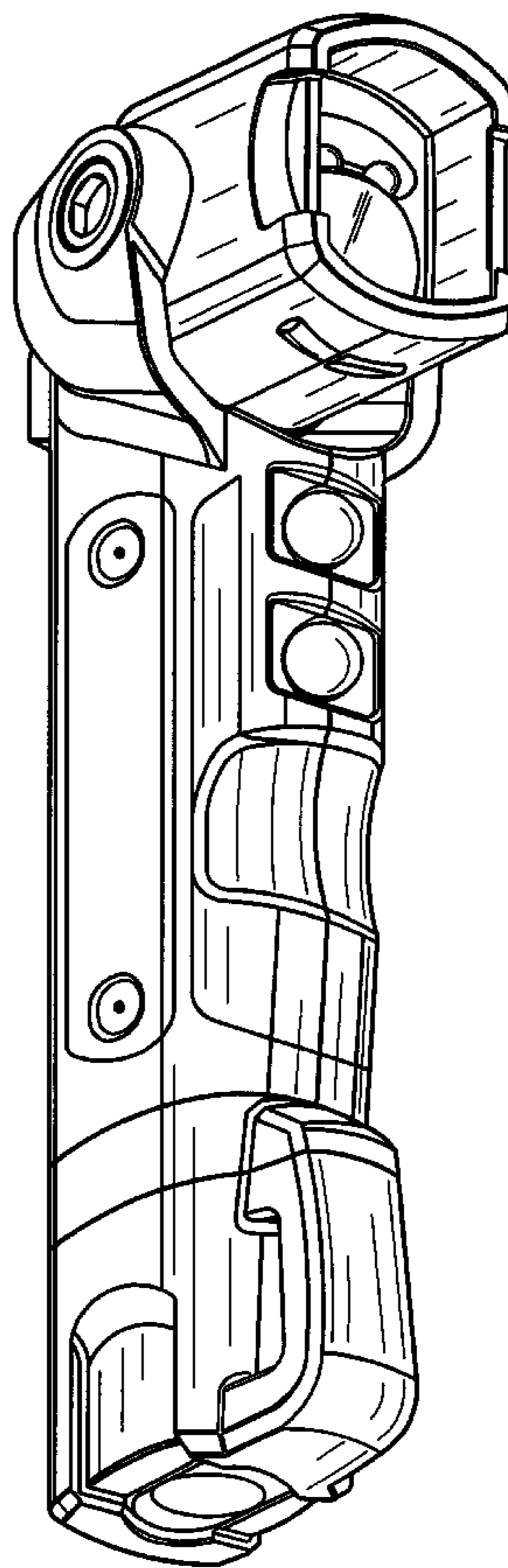
FIG. 7 is a bottom view of the flashlight of the present invention;

FIG. 8 is a top view of the flashlight of the present invention;

FIG. 9 is a front view of the flashlight of the present invention; and,

FIG. 10 is a rear view of the flashlight of the present invention.

1 Claim, 9 Drawing Sheets



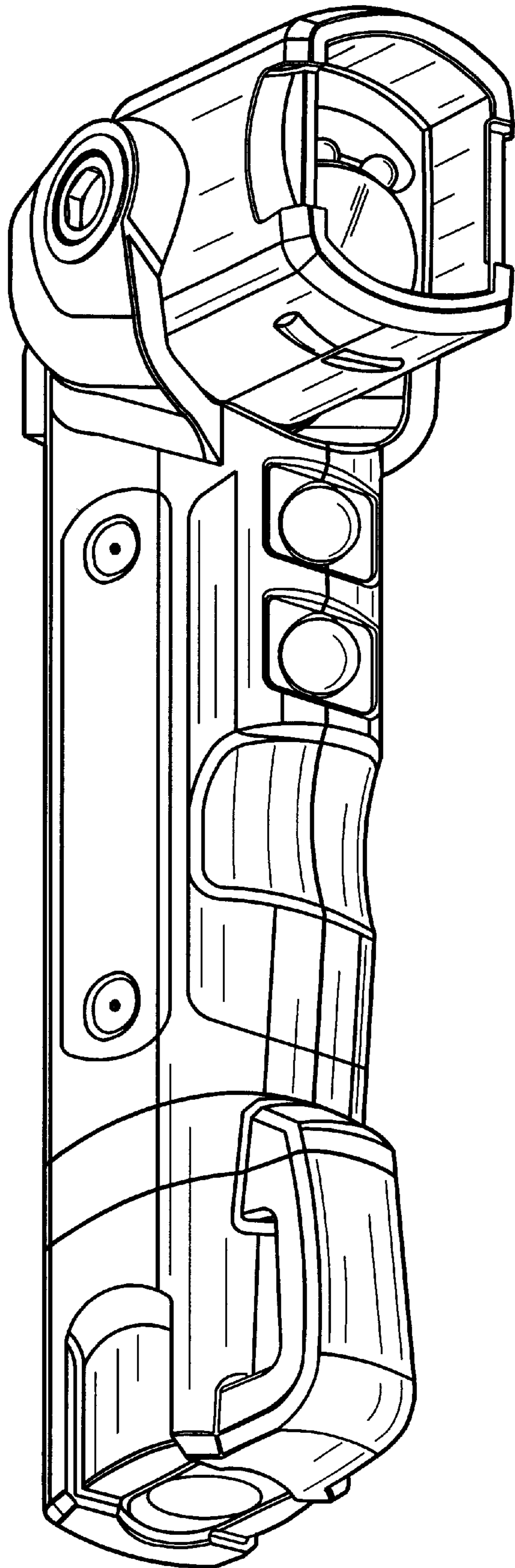


Fig. 1

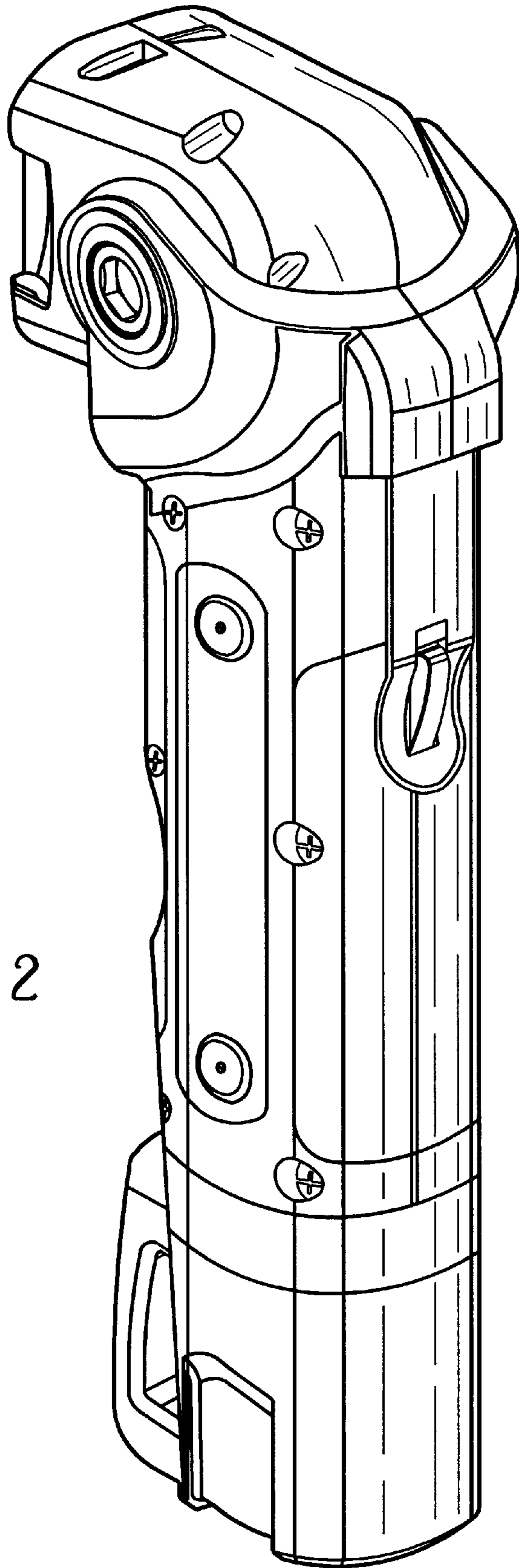


Fig. 2

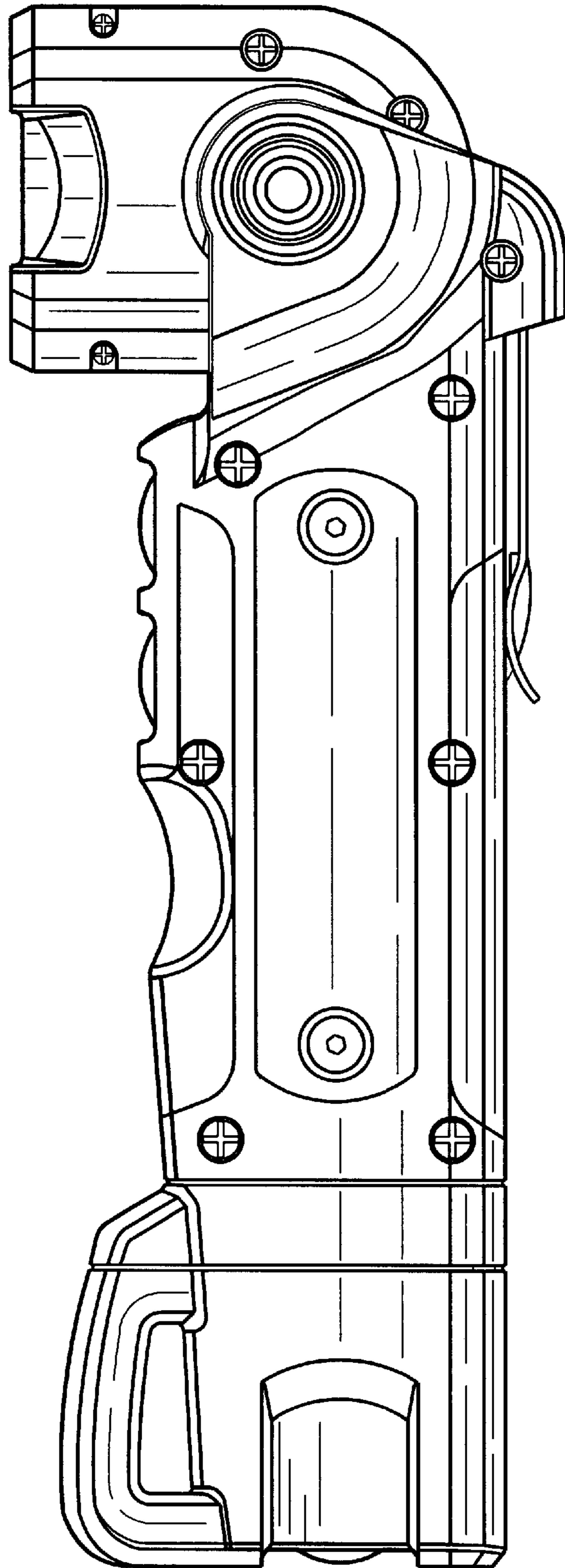


Fig. 3

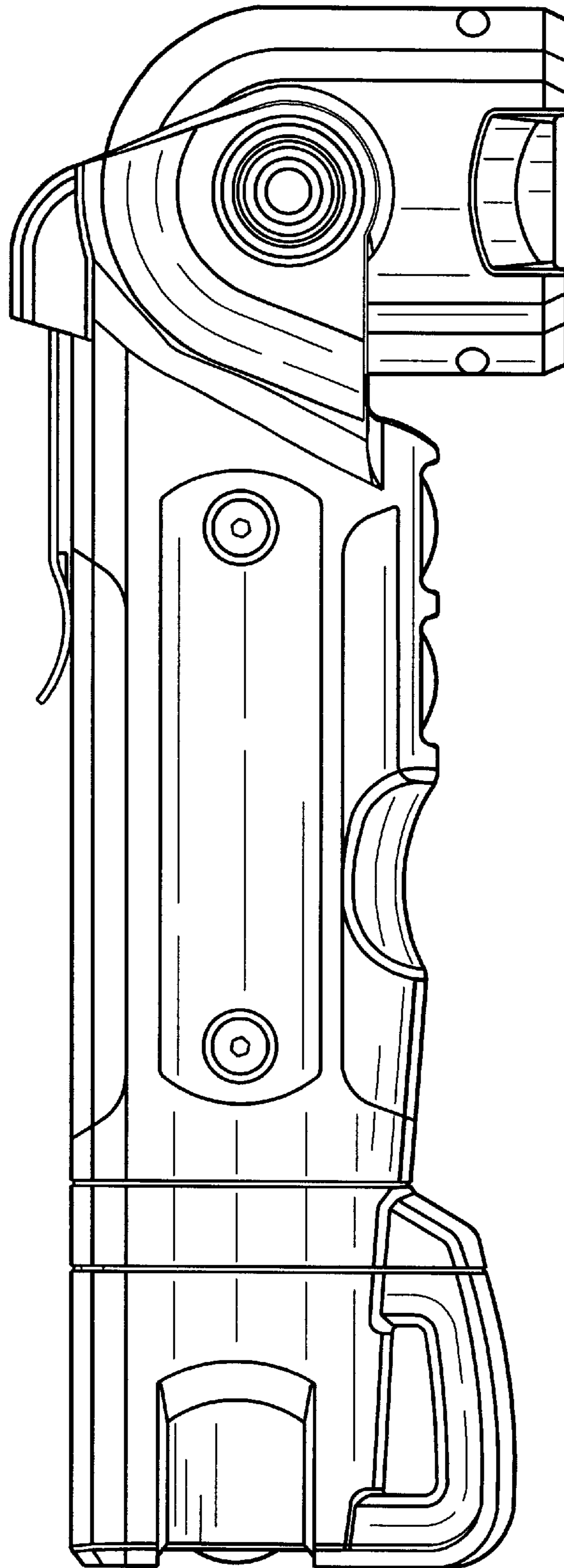


Fig. 4

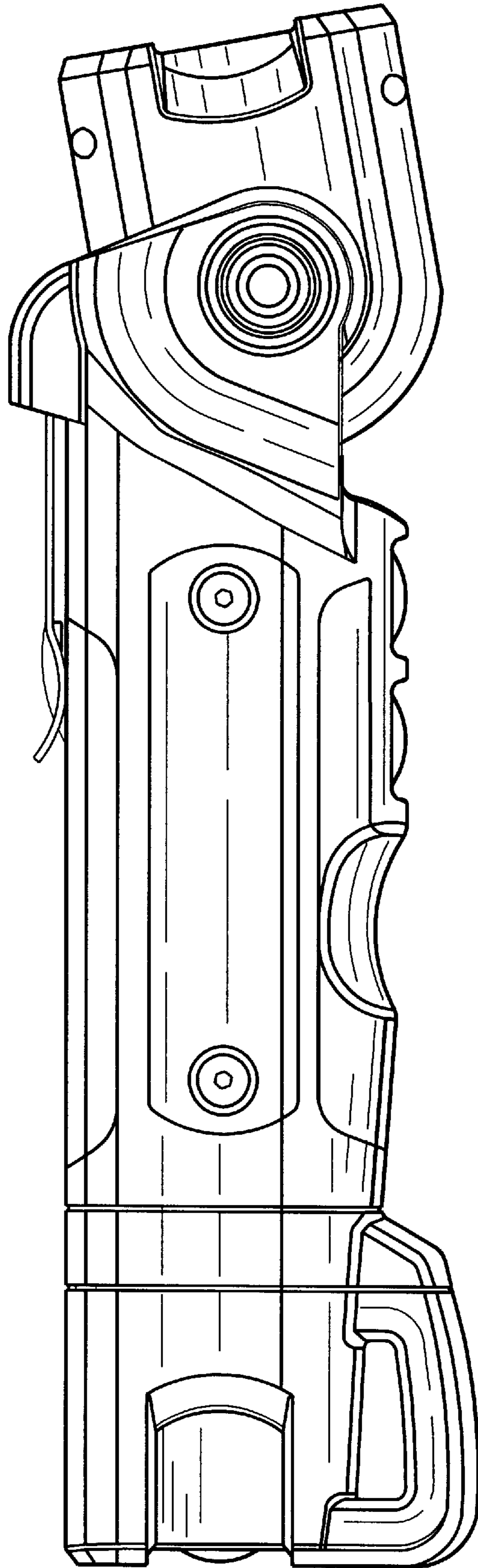


Fig. 5

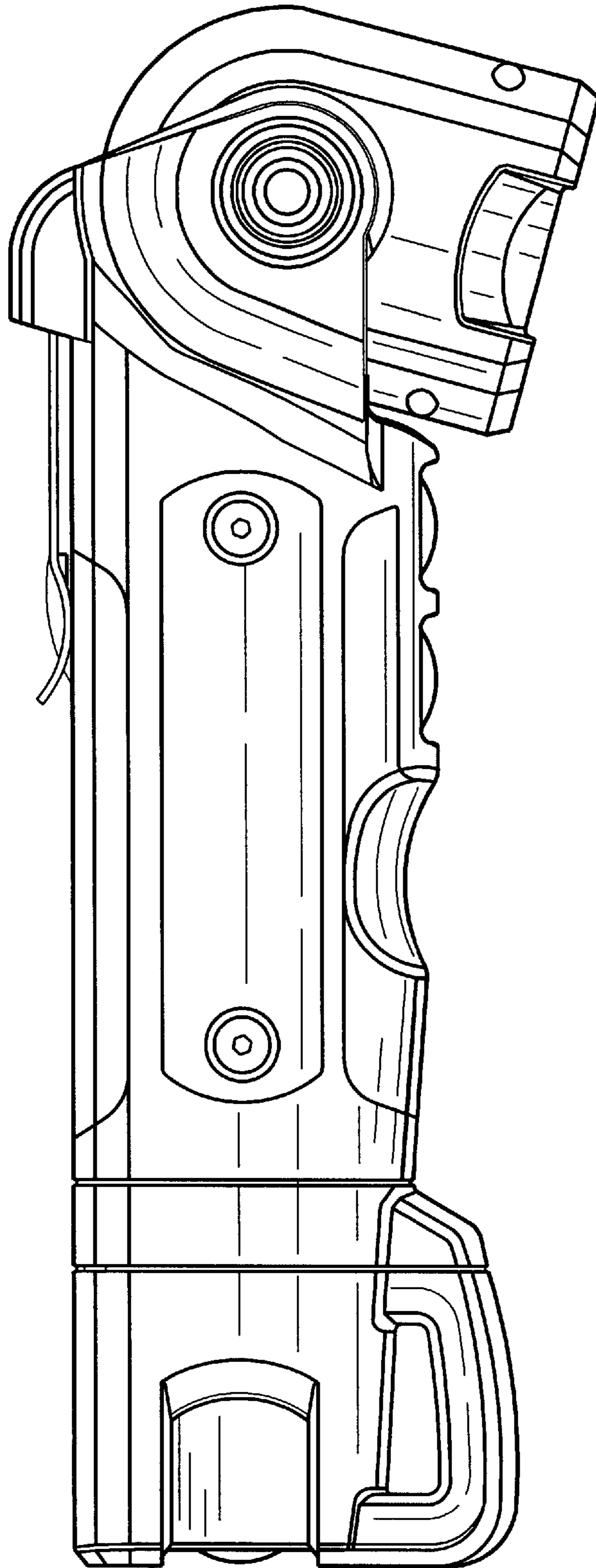


Fig. 6

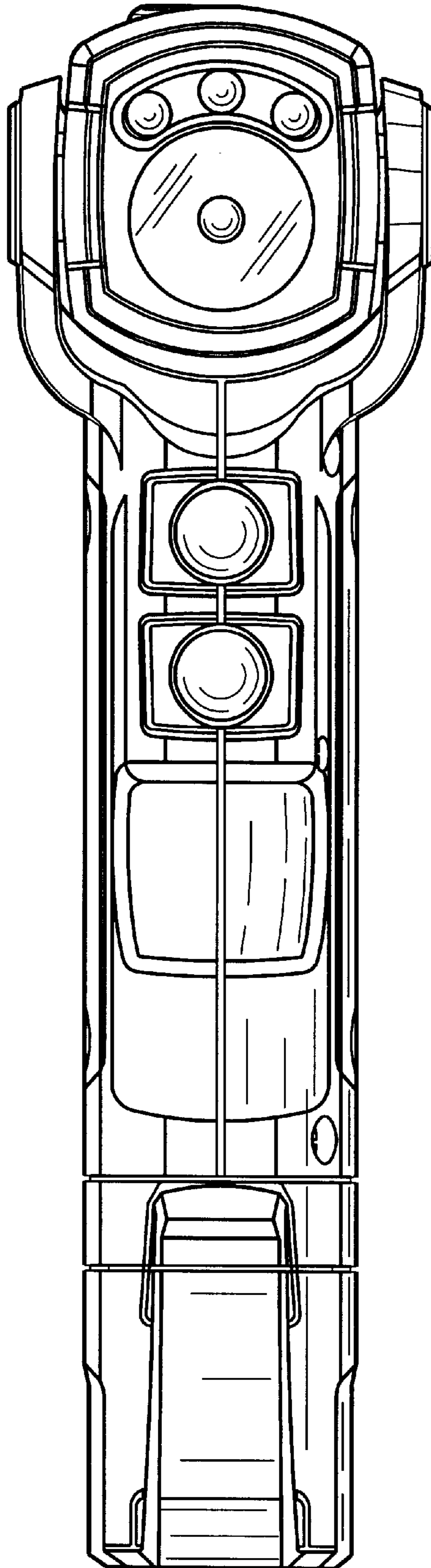


Fig. 7

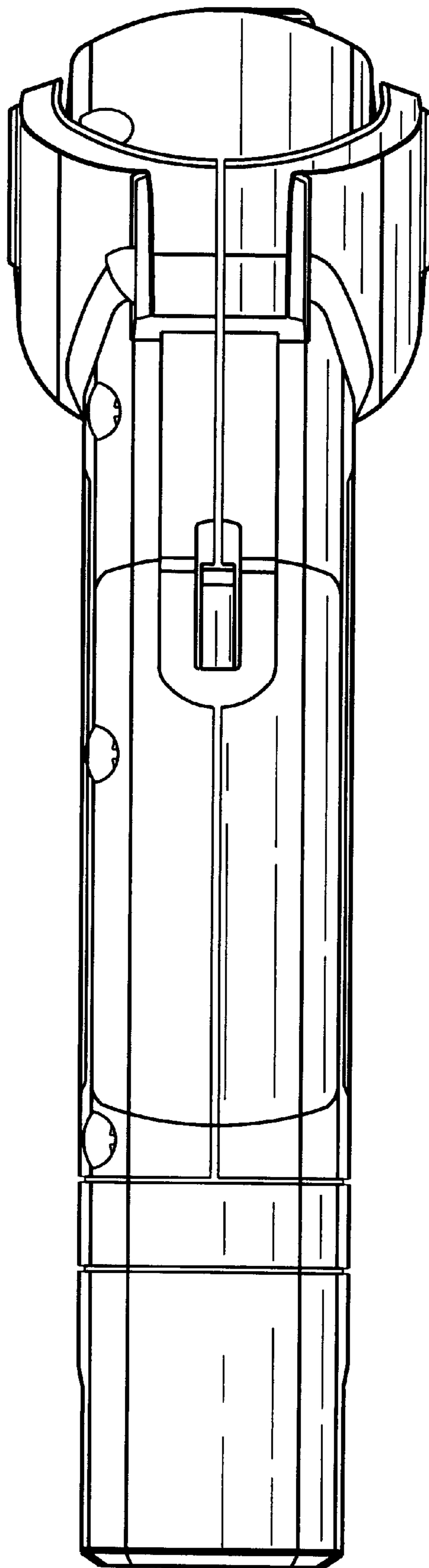


Fig. 8

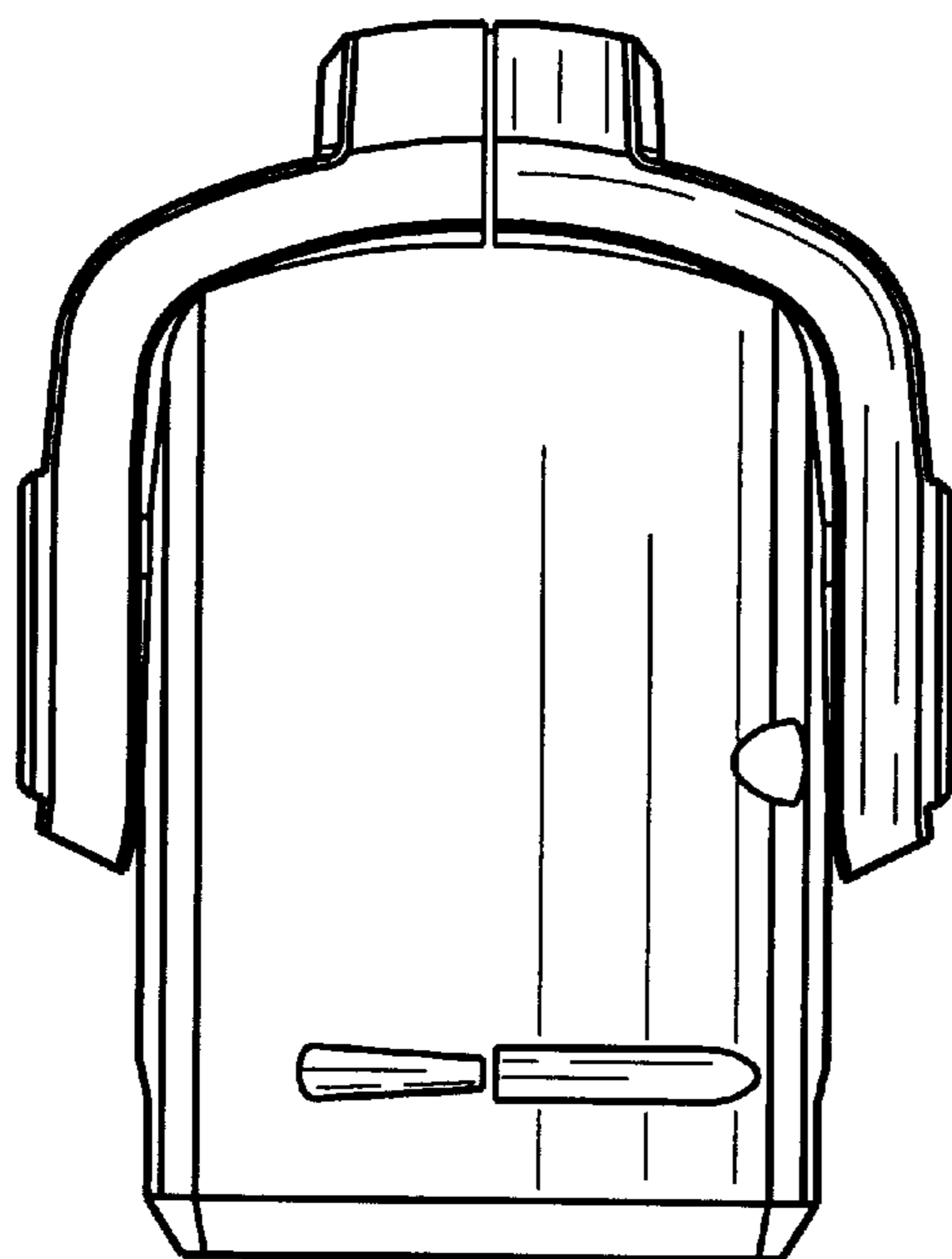


Fig. 9

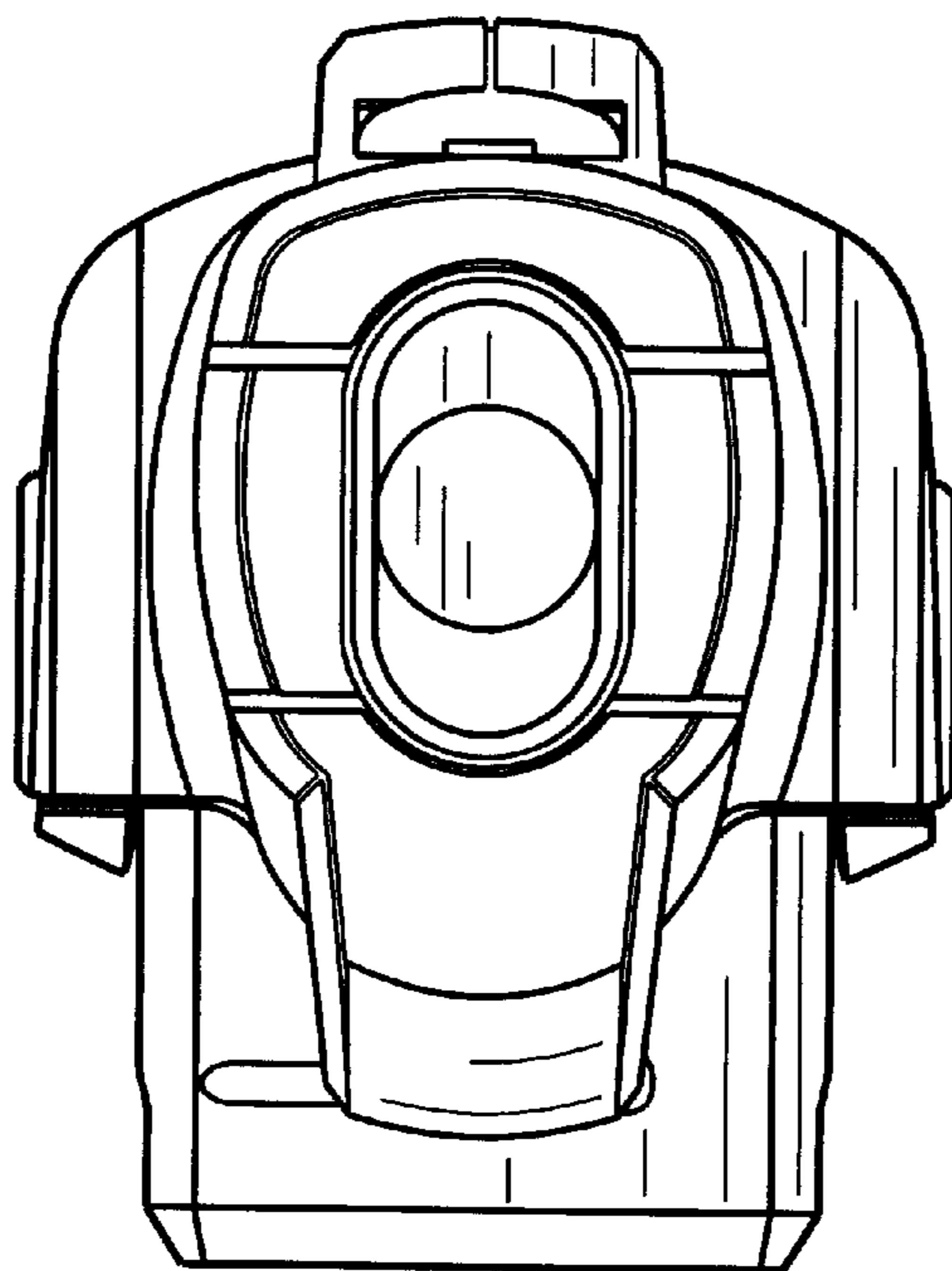


Fig. 10