



US00D536463S

(12) **United States Design Patent**
Chiang

(10) **Patent No.:** **US D536,463 S**

(45) **Date of Patent:** **** Feb. 6, 2007**

(54) **PORTABLE ILLUMINATOR**

5,832,645 A * 11/1998 Wells 40/716
D482,160 S * 11/2003 Paffrath D26/139

(76) Inventor: **Ming-Hsin Chiang**, No. 38, Baozhong
3rd St., Houhu Li, Jiayi City (TW)

* cited by examiner

(**) Term: **14 Years**

Primary Examiner—Alan P. Douglas

Assistant Examiner—Angela J. Lee

(21) Appl. No.: **29/229,063**

(74) *Attorney, Agent, or Firm*—Alan D. Kamrath; Nikolai
& Mersereau, P.A.

(22) Filed: **May 3, 2005**

(57) **CLAIM**

(51) **LOC (8) Cl.** **26-05**

The ornamental design for a portable illuminator, as shown
and described.

(52) **U.S. Cl.** **D26/24**

(58) **Field of Classification Search** D26/24,
D26/25, 26, 28, 36, 37, 67, 72, 80, 93, 113,
D26/139; 362/84, 157, 181, 183, 159, 194,
362/200, 201

DESCRIPTION

See application file for complete search history.

FIG. 1 is a perspective view of a portable illuminator
showing my design;

FIG. 2 is a front elevational view thereof;

FIG. 3 is a rear elevational view thereof;

FIG. 4 is a left side elevational view thereof;

FIG. 5 is a right side elevational view thereof;

FIG. 6 is a top plan view thereof; and,

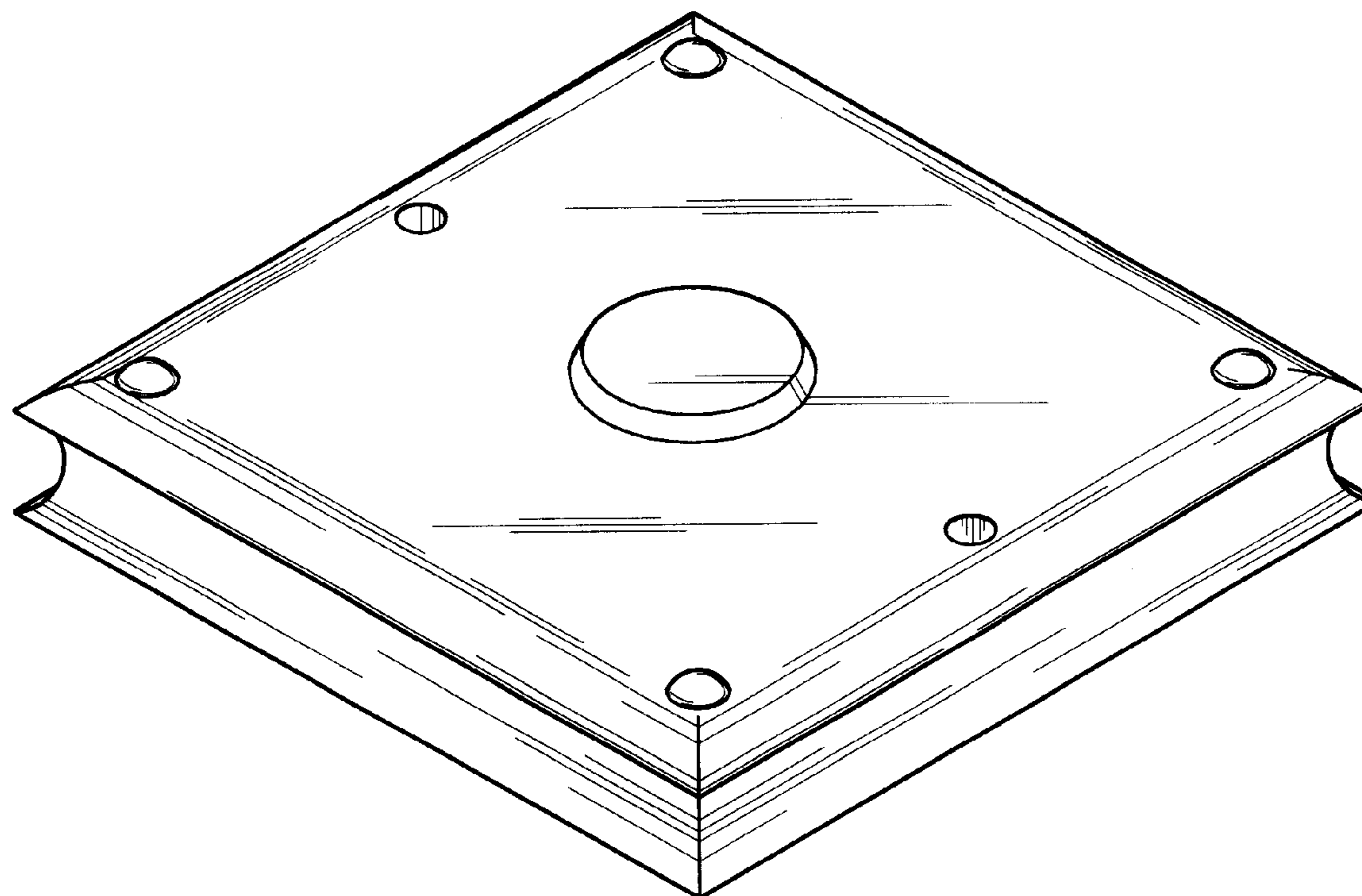
FIG. 7 is a bottom plan view thereof.

(56) **References Cited**

U.S. PATENT DOCUMENTS

3,745,327 A * 7/1973 Lowery et al. 362/311
D243,035 S * 1/1977 Kohlenstein D26/24
D397,470 S * 8/1998 Bassford et al. D26/67

1 Claim, 4 Drawing Sheets



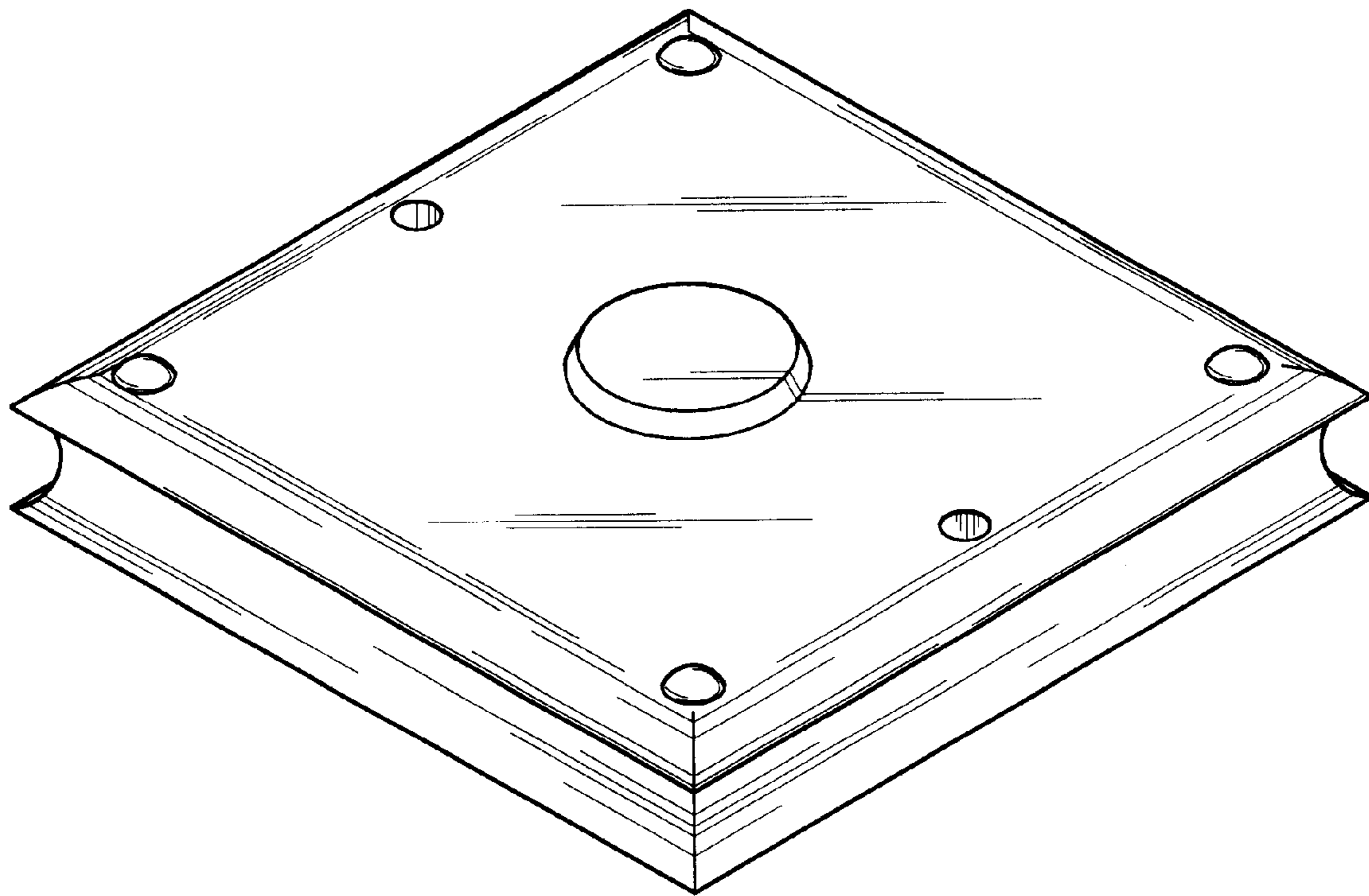


FIG.1

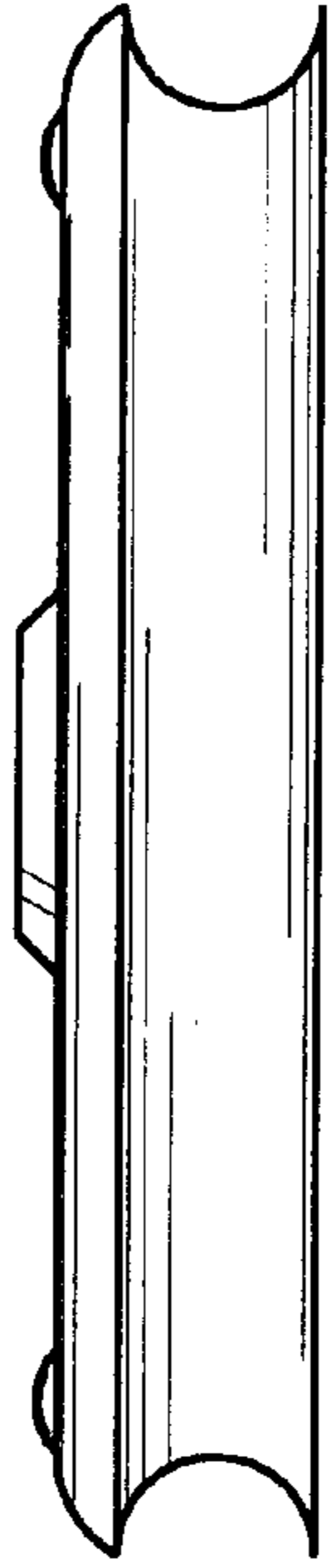


FIG.2

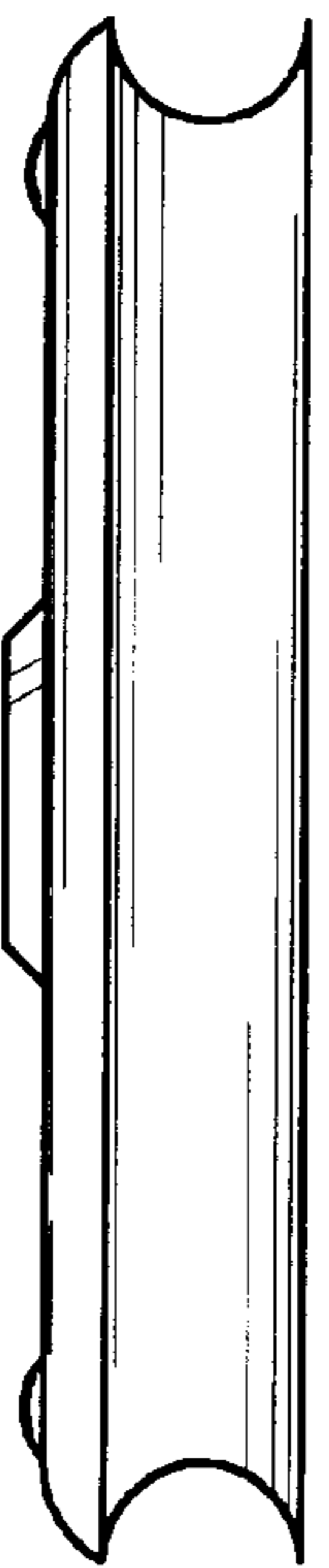


FIG.3

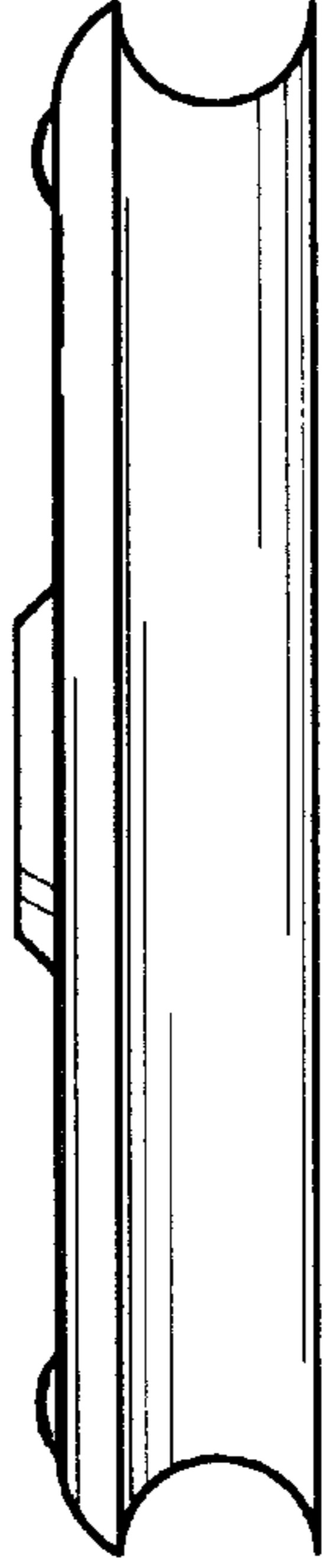


FIG.5

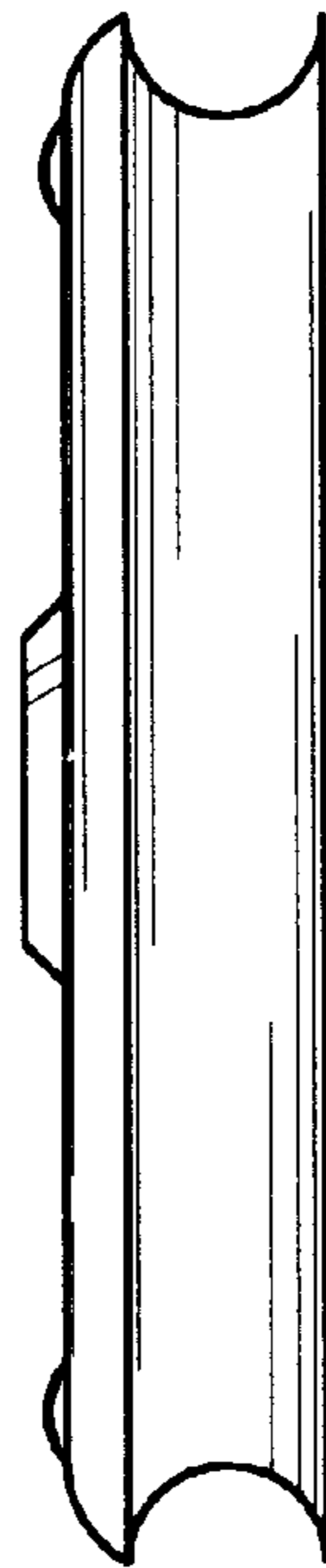


FIG.4

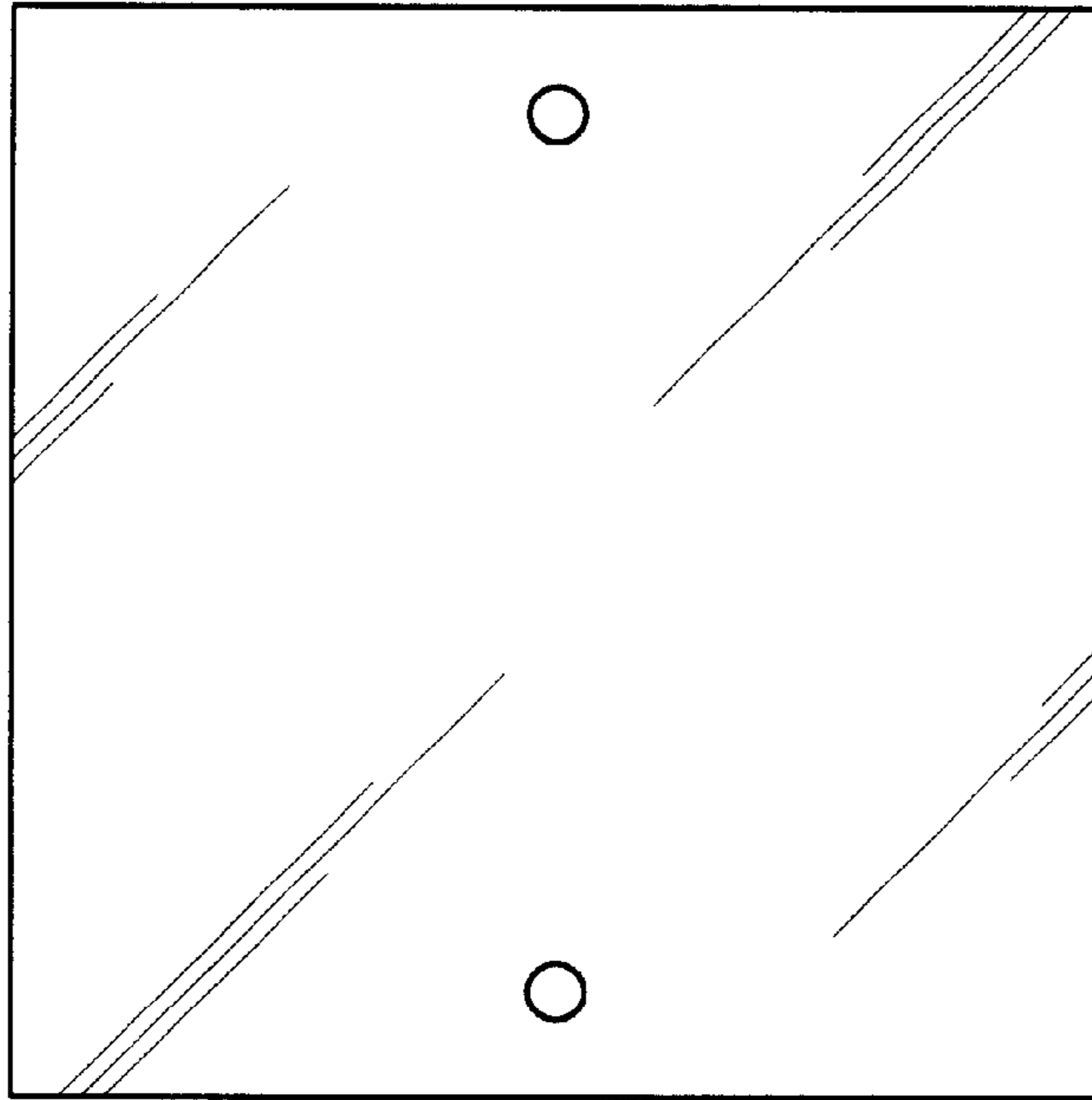


FIG.7

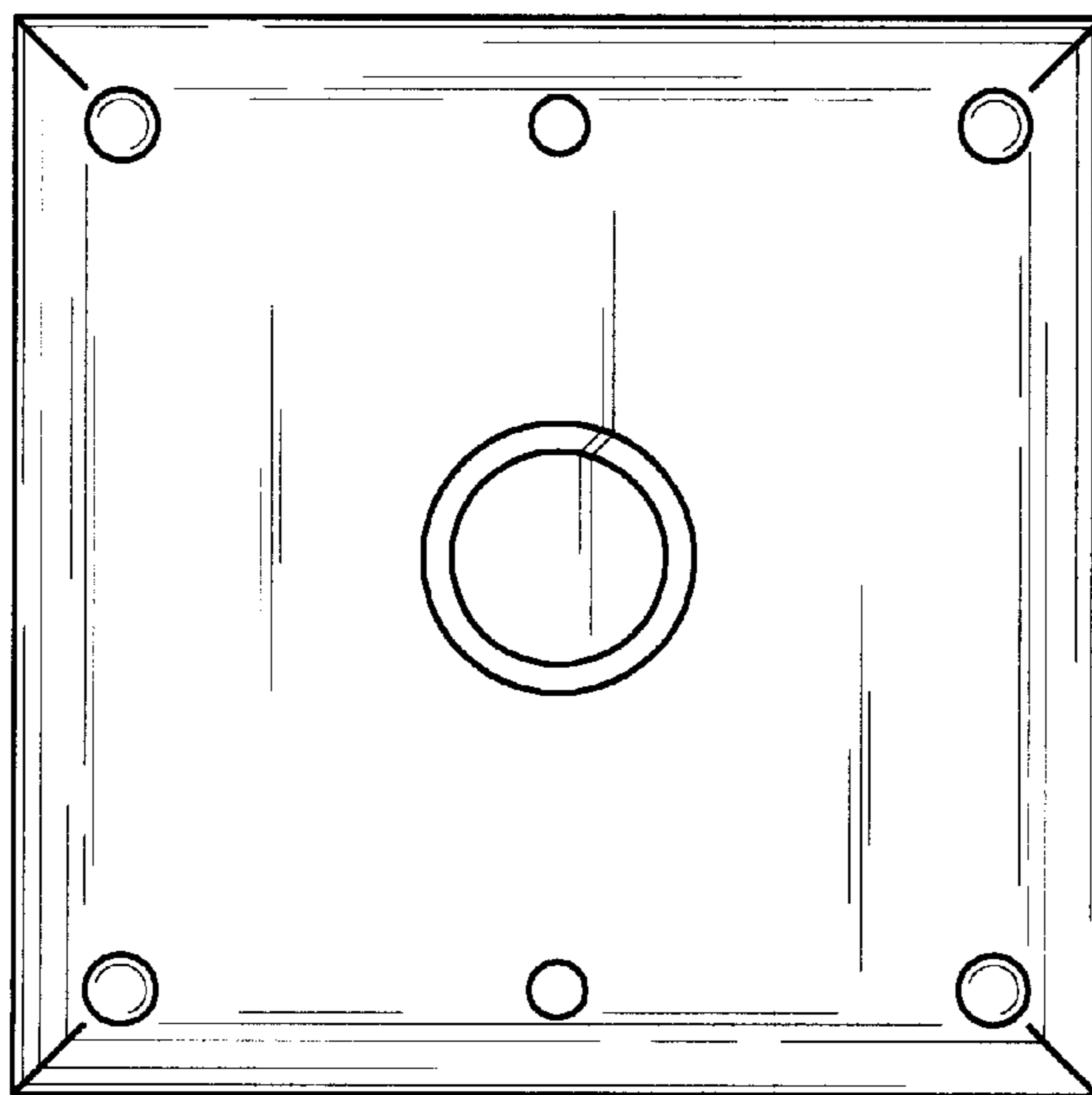


FIG.6