



US00D536459S

(12) **United States Design Patent**  
**Speakman et al.**

(10) **Patent No.:** **US D536,459 S**

(45) **Date of Patent:** **\*\* Feb. 6, 2007**

(54) **LEANER HORSE BRACKET**

(76) Inventors: **Michael Speakman**, 3 Eastover, So.  
Dennis, MA (US) 02660; **James Baker**,  
23 Captain Weiler Rd., So. Yarmouth,  
MA (US) 02664

(\*\*) Term: **14 Years**

(21) Appl. No.: **29/234,893**

(22) Filed: **Jul. 26, 2005**

(51) **LOC (8) Cl.** ..... **25-04**

(52) **U.S. Cl.** ..... **D25/68**

(58) **Field of Classification Search** ..... 182/181.1,  
182/183.1, 186.7, 178.1, 185.1, 186.3, 224,  
182/179.1, 153, 66.1, 152, 180.1, 182.2,  
182/194, 21, 22, 23, 67.4, 64.1, 101, 102,  
182/106, 115, 112, 120, 121, 228.1, 228.2;  
D25/67, 68

See application file for complete search history.

(56) **References Cited**

**U.S. PATENT DOCUMENTS**

4,192,406 A \* 3/1980 Mitchell ..... 182/185.1

4,890,952 A \* 1/1990 Jones ..... 403/172  
D318,127 S \* 7/1991 Ebeler ..... D25/68  
5,484,037 A \* 1/1996 Neumarkel ..... 182/185.1  
D423,686 S \* 4/2000 Swain ..... D25/68

\* cited by examiner

*Primary Examiner*—Doris Clark

(74) *Attorney, Agent, or Firm*—John P. McGonagale

(57) **CLAIM**

The ornamental design for a leaner horse bracket, as shown and described.

**DESCRIPTION**

FIG. 1 is a rear perspective view of a leaner horse bracket embodying my new design, wherein the wood pieces shown in broken lines are for illustrative purposes only and form no part of the claimed design;

FIG. 2 is a front view thereof;

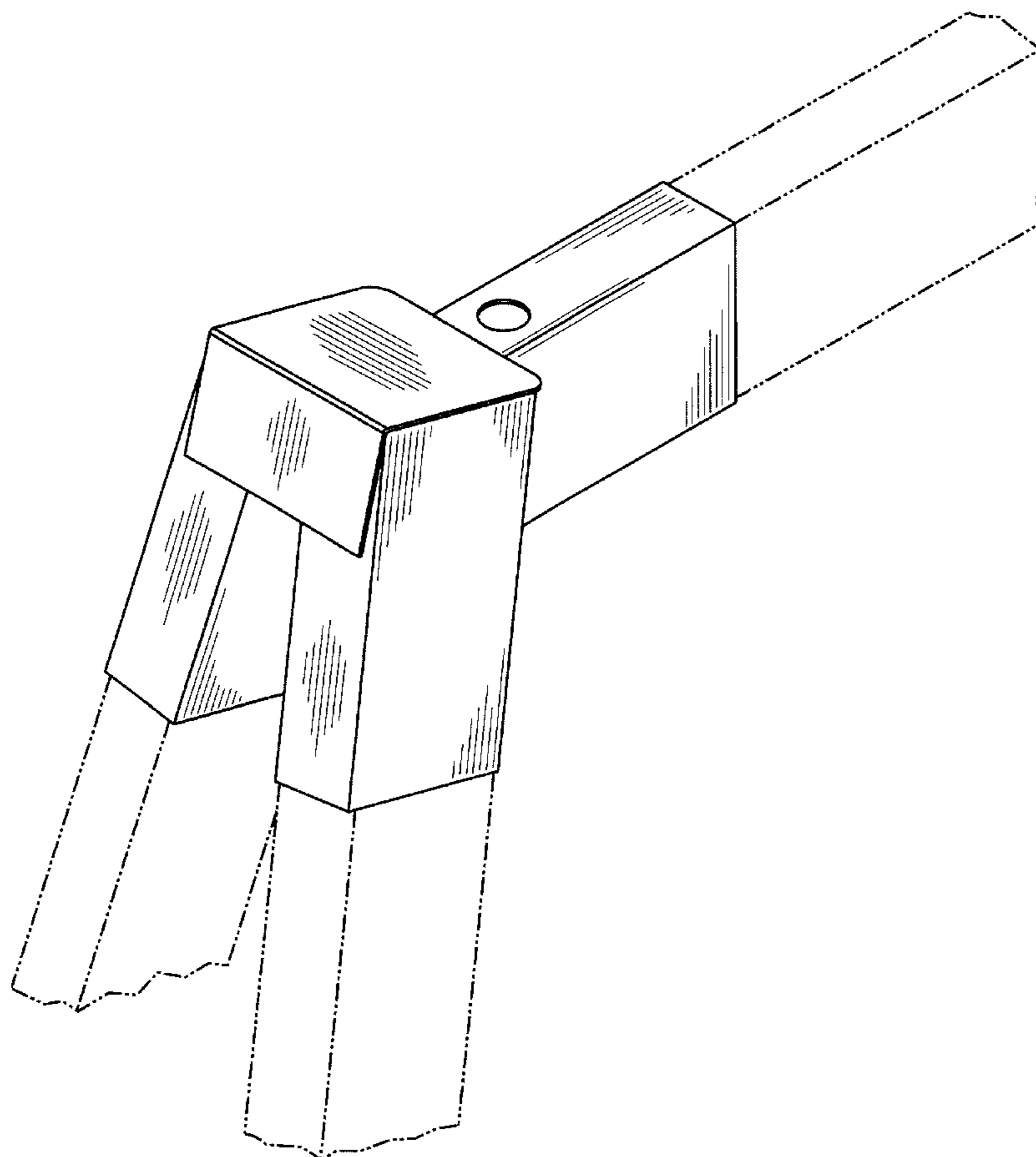
FIG. 3 is a bottom view thereof;

FIG. 4 is a rear view thereof;

FIG. 5 is a side view thereof, the opposite side being a mirror image thereof; and,

FIG. 6 is a top view thereof.

**1 Claim, 2 Drawing Sheets**



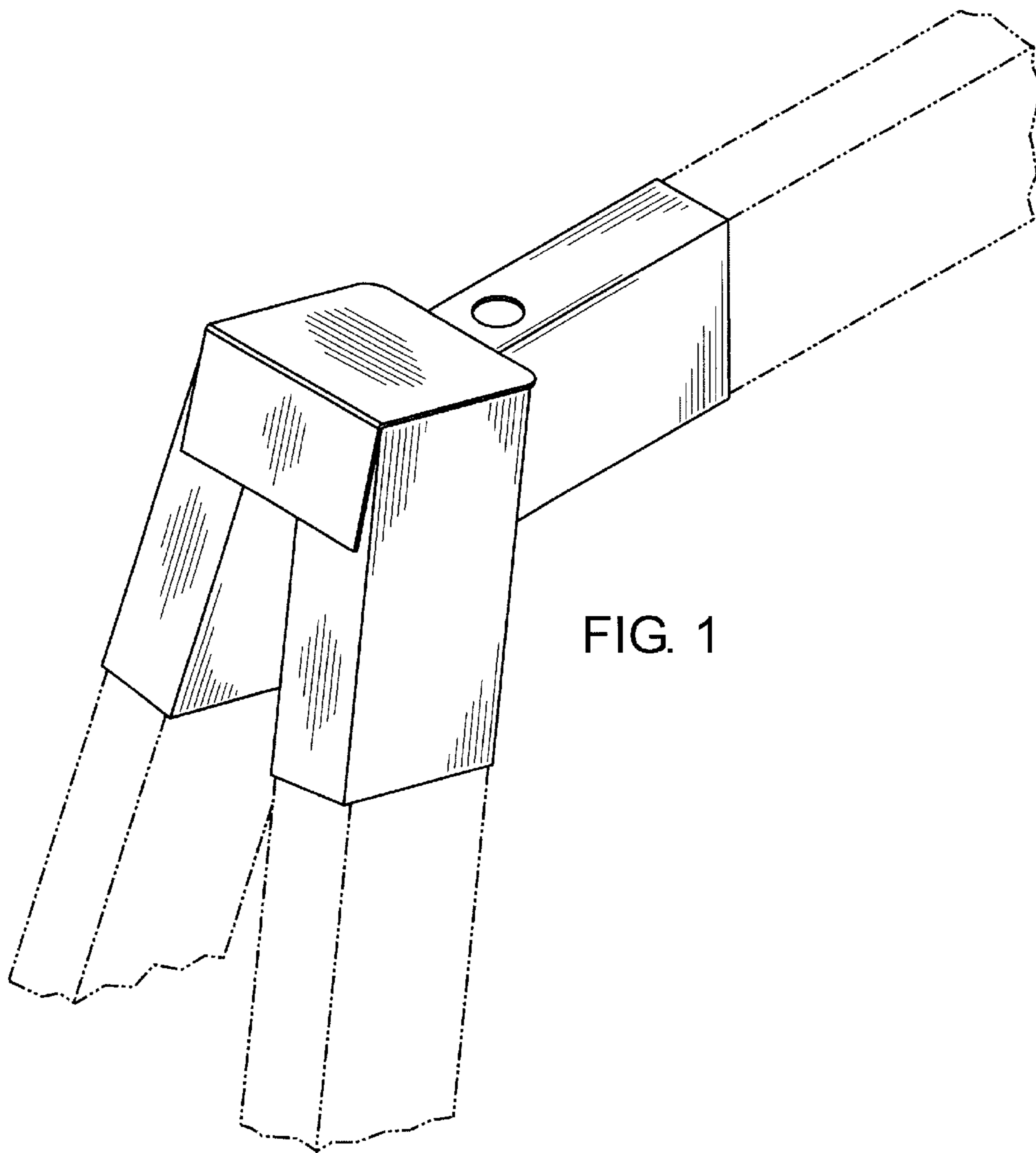
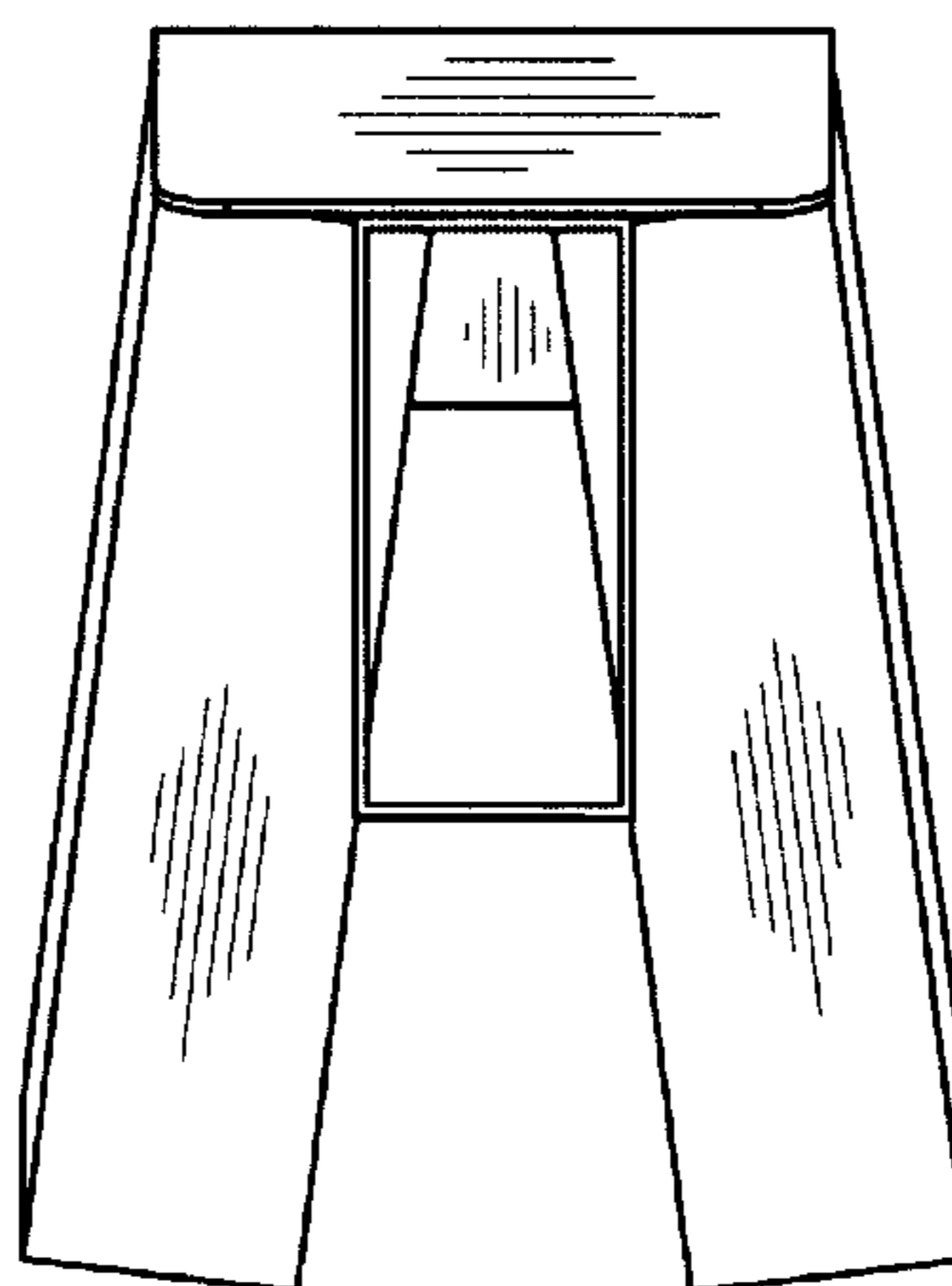


FIG. 1

FIG. 2



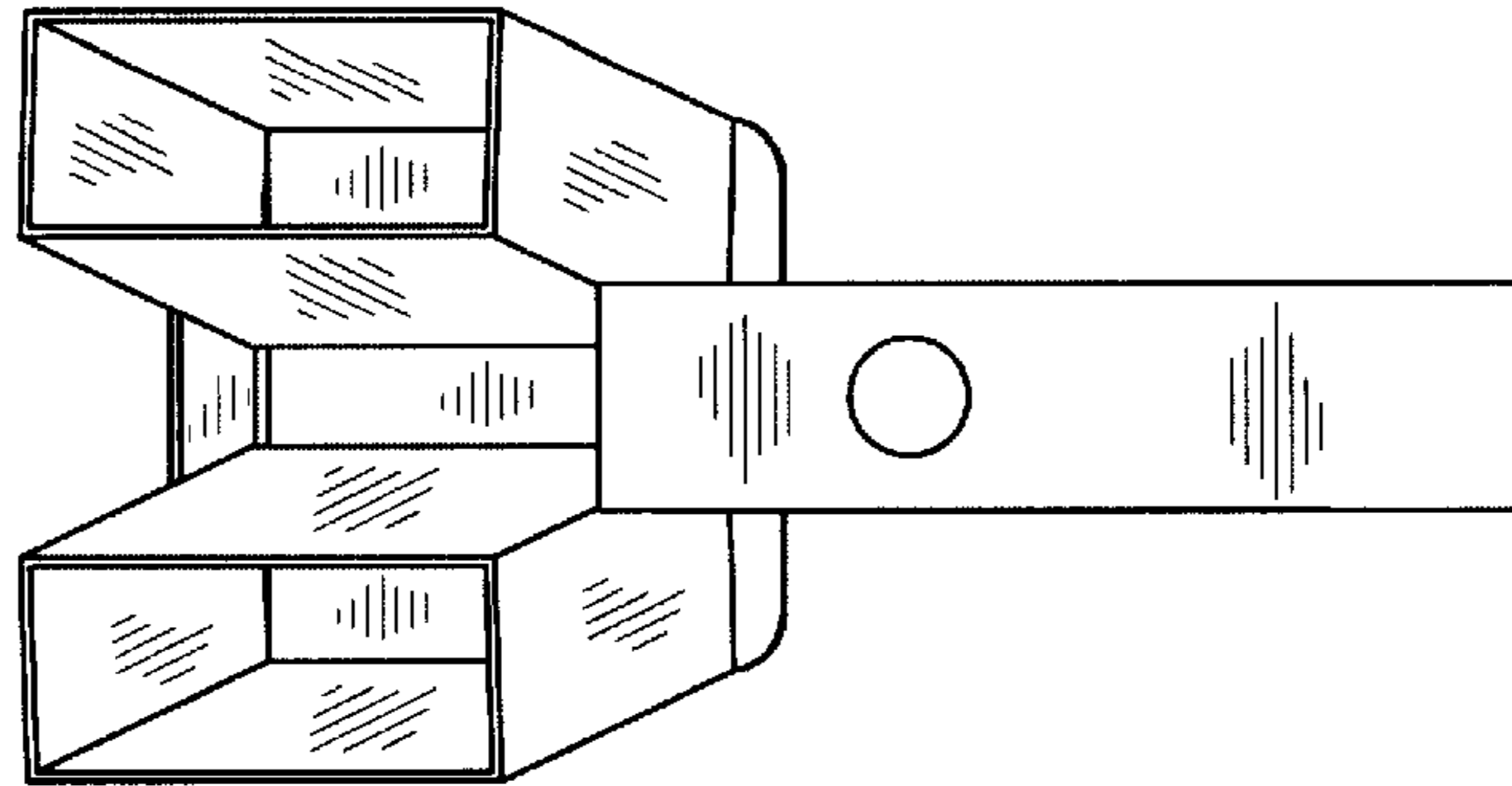


FIG. 3

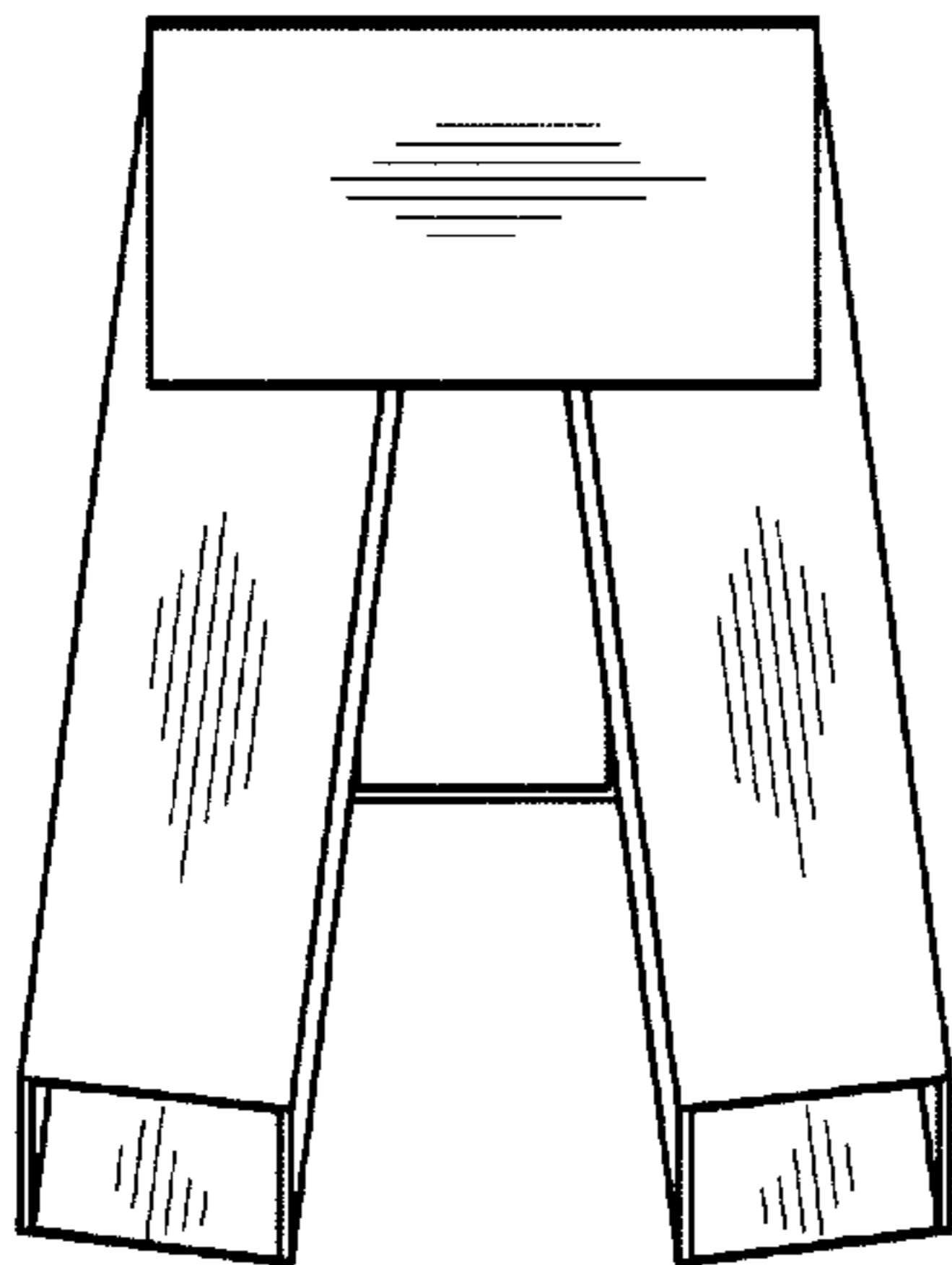


FIG. 4

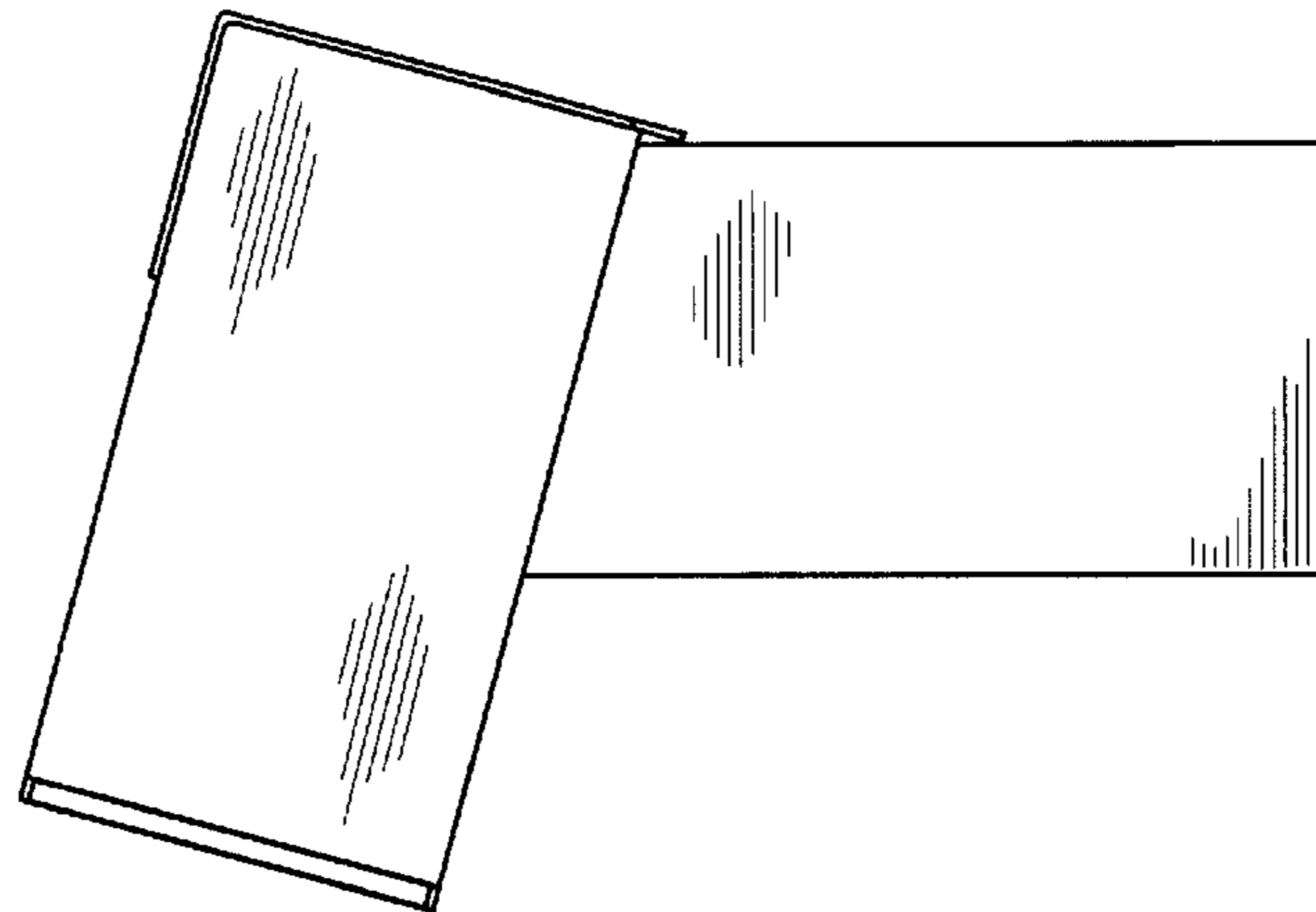


FIG. 5

FIG. 6

