



US00D536457S

(12) **United States Design Patent**
Andrews et al.

(10) **Patent No.:** **US D536,457 S**

(45) **Date of Patent:** **** Feb. 6, 2007**

(54) **HEAT AND LIGHT THERAPY DEVICE**

(75) Inventors: **Christopher Andrews**, Fort Collins, CO (US); **Lee W. Travis**, Littleton, CO (US); **David W. Wright**, Littleton, CO (US); **Sherry Fox**, Parker, CO (US)

(73) Assignee: **BioCare Systems, Inc.**, Parker, CO (US)

(**) Term: **14 Years**

(21) Appl. No.: **29/232,552**

(22) Filed: **Jun. 21, 2005**

(51) **LOC (8) Cl.** **28-03**

(52) **U.S. Cl.** **D24/210; D24/206**

(58) **Field of Classification Search** D24/200, D24/206, 209, 210; 601/15-17; 606/13; 607/88, 607/90, 91, 94, 99

See application file for complete search history.

(56) **References Cited**

U.S. PATENT DOCUMENTS

2,602,302 A	*	7/1952	Poux	D24/206
D282,202 S	*	1/1986	Ellersick	D24/210
D290,654 S	*	6/1987	Ohnishi	D24/206

5,005,374 A	*	4/1991	Spitler	D24/207
D325,637 S	*	4/1992	O'Brien et al.	D24/206
D438,974 S	*	3/2001	Crapps	D24/206
6,471,716 B1	*	10/2002	Pecukonis	607/89
D506,009 S	*	6/2005	Kent et al.	D24/210
2003/0187486 A1	*	10/2003	Savage et al.	607/89

* cited by examiner

Primary Examiner—Ian Simmons

Assistant Examiner—Melanie Levy

(74) *Attorney, Agent, or Firm*—John R. Ley

(57) **CLAIM**

The ornamental design for the heat and light therapy device, as shown and described.

DESCRIPTION

FIG. 1 is a perspective view of the heat and light therapy device of the present invention, and also illustrating a strap in phantom which does not form a part of the invention.

FIG. 2 is a front elevational view of FIG. 1.

FIG. 3 is a rear elevational view of FIG. 1.

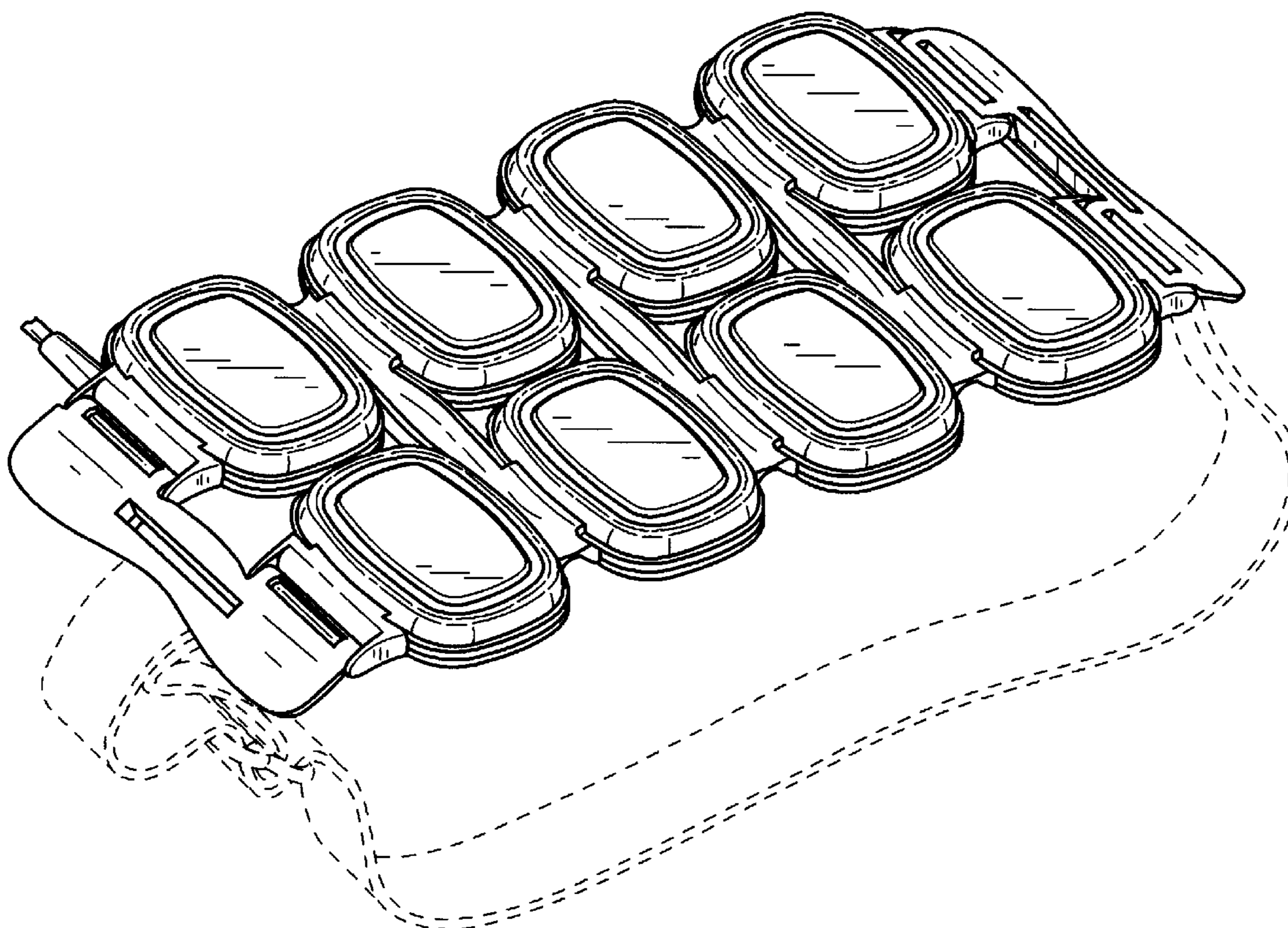
FIG. 4 is a right-side elevational view of FIG. 1.

FIG. 5 is a left-side elevational view of FIG. 1.

FIG. 6 is a top plan view of FIG. 1; and,

FIG. 7 is a bottom plan view of FIG. 1.

1 Claim, 3 Drawing Sheets



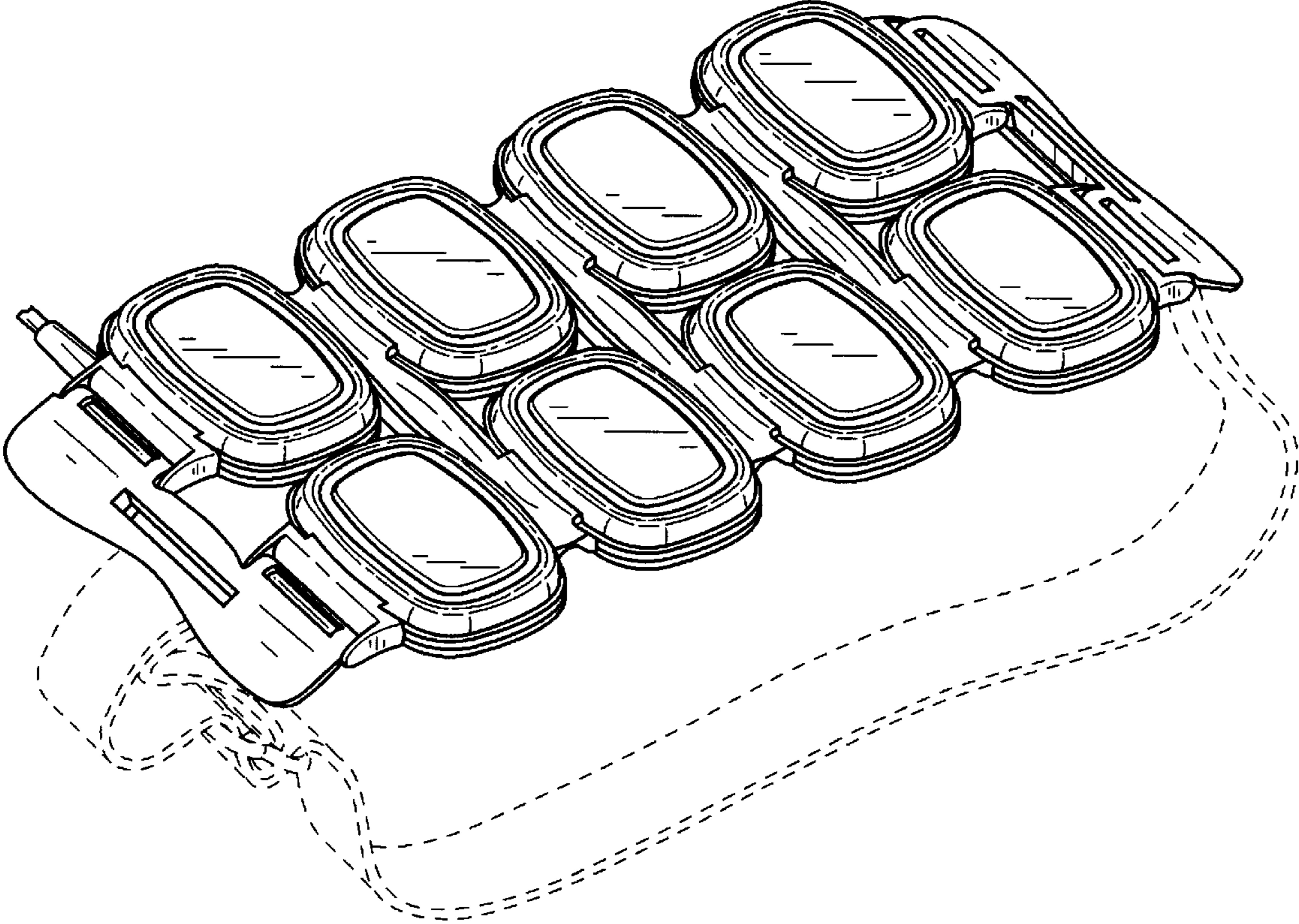


FIG.1



FIG. 2



FIG. 3



FIG. 4



FIG. 5

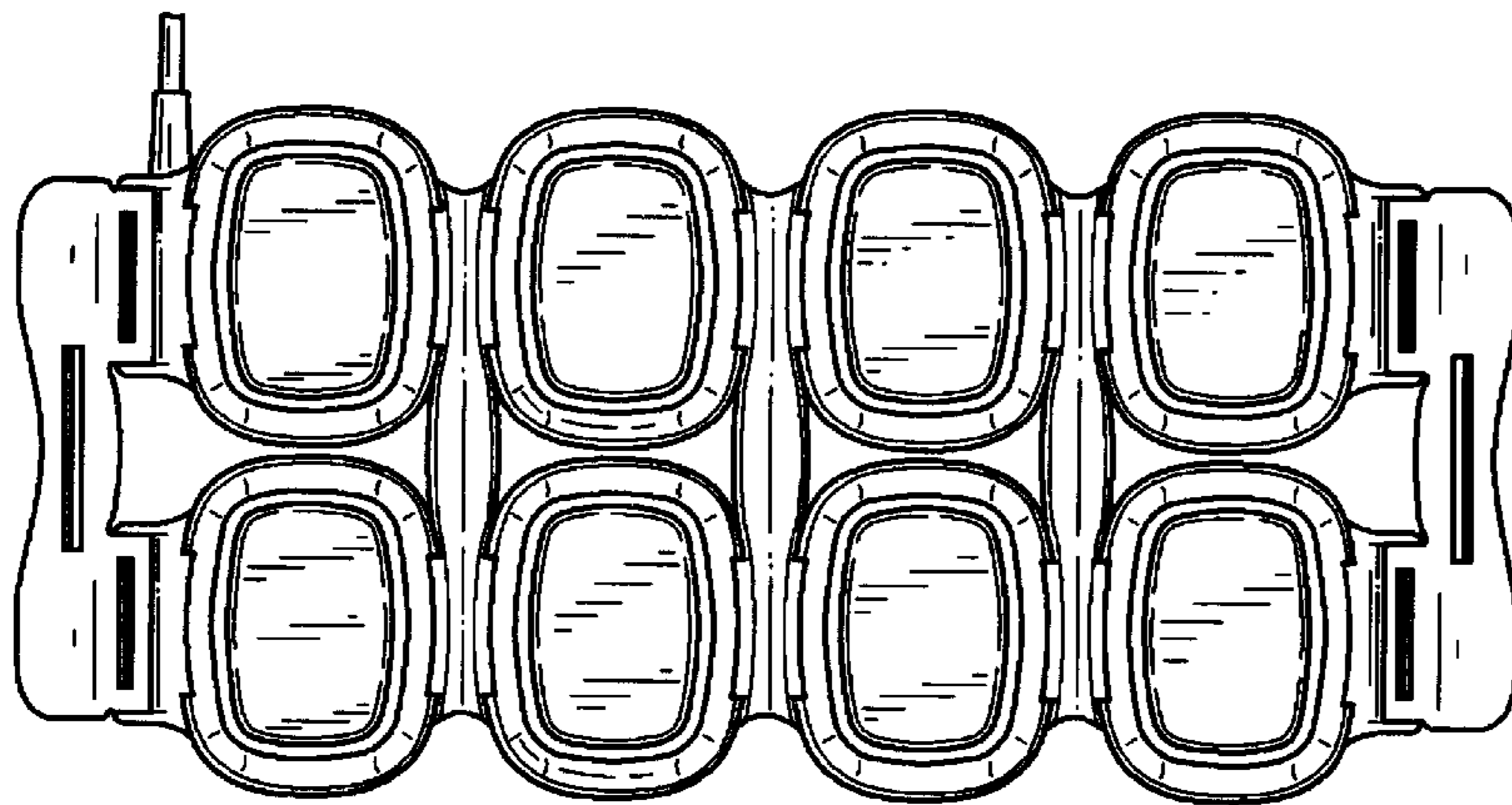


FIG. 6

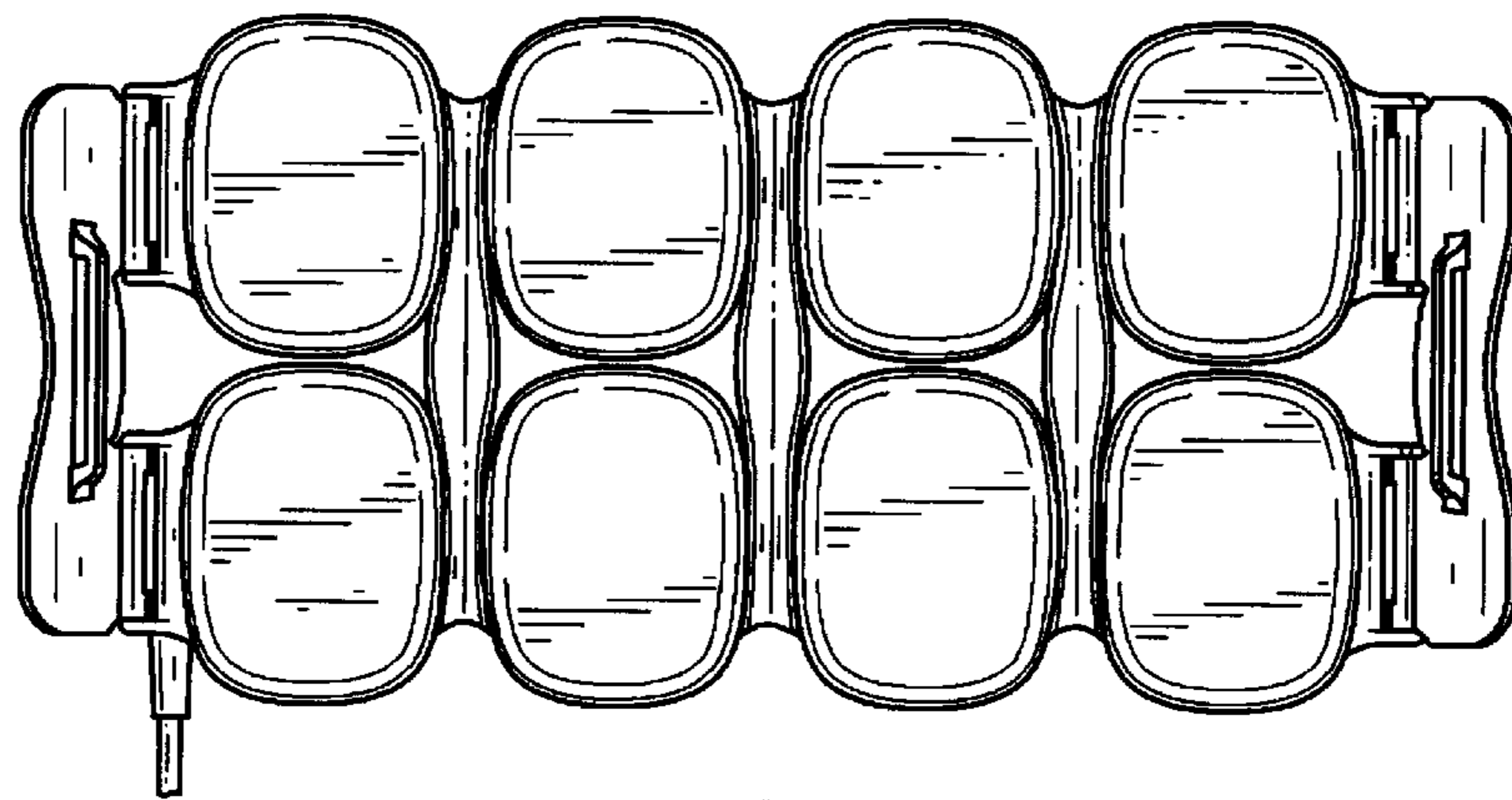


FIG. 7