

US00D536454S

(12) **United States Design Patent** (10) **Patent No.:** **US D536,454 S**
Joyce et al. (45) **Date of Patent:** **** Feb. 6, 2007**

(54) **FLUID INJECTION APPARATUS**

D452,737 S * 1/2002 Nolan et al. D24/160
 6,676,634 B1 * 1/2004 Spohn et al. 604/154
 2005/0230575 A1 * 10/2005 Zelenski et al. 604/118

(75) Inventors: **Thomas P. Joyce**, Wilkins Township, PA (US); **Gerald W. Callan**, Cranberry Township, PA (US); **Karen M. Zelenski**, Seven Fields, PA (US); **Michael A. Spohn**, Butler, PA (US); **Ralph H. Schriver**, Tarentum, PA (US); **Ralph E. Kopacko**, Irwin, PA (US)

* cited by examiner

Primary Examiner—Ian Simmons
Assistant Examiner—W. Laymon
 (74) *Attorney, Agent, or Firm*—Gregory L. Bradley; Christian E. Schuster

(73) Assignee: **Medrad, Inc.**, Indianola, PA (US)

(57) **CLAIM**

(**) Term: **14 Years**

The ornamental design for a fluid injection apparatus, substantially as shown and described.

(21) Appl. No.: **29/227,616**

DESCRIPTION

(22) Filed: **Apr. 13, 2005**

(51) **LOC (8) Cl.** **24-02**

(52) **U.S. Cl.** **D24/169; D24/108; D24/111**

(58) **Field of Classification Search** D24/108,
 D24/111, 133, 160; 600/151, 533, 67; 604/151,
 604/533, 67, 118, 187, 152, 154, 253; 128/DIG. 1
 See application file for complete search history.

FIG. 1 is a perspective view of a fluid injection apparatus of our design, showing our design as part of a fluid delivery system;
 FIG. 2 is a perspective view showing the fluid injection apparatus of our design;
 FIG. 3 is a left side view thereof;
 FIG. 4 is a top view thereof;
 FIG. 5 is a front view thereof;
 FIG. 6 is a rear view thereof;
 FIG. 7 is a right side view thereof; and,
 FIG. 8 is a bottom view thereof.

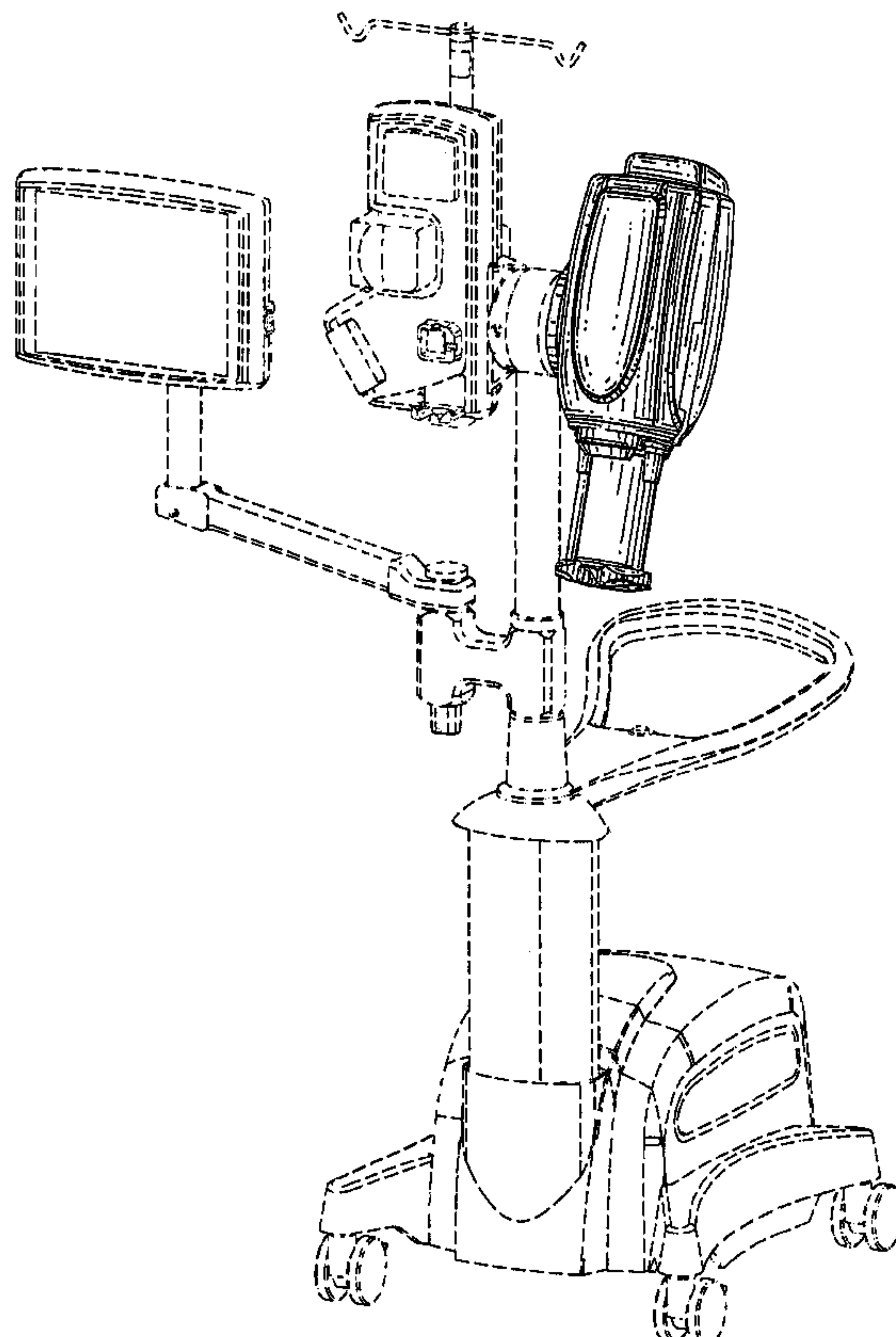
The broken line showing is for illustrative purposes only and forms no part of the claimed design.

(56) **References Cited**

U.S. PATENT DOCUMENTS

D391,638 S * 3/1998 Coons et al. D24/160
 D392,388 S * 3/1998 Coons et al. D24/160
 D426,891 S * 6/2000 Beale et al. D24/160
 D426,892 S * 6/2000 Beale et al. D24/160

1 Claim, 8 Drawing Sheets



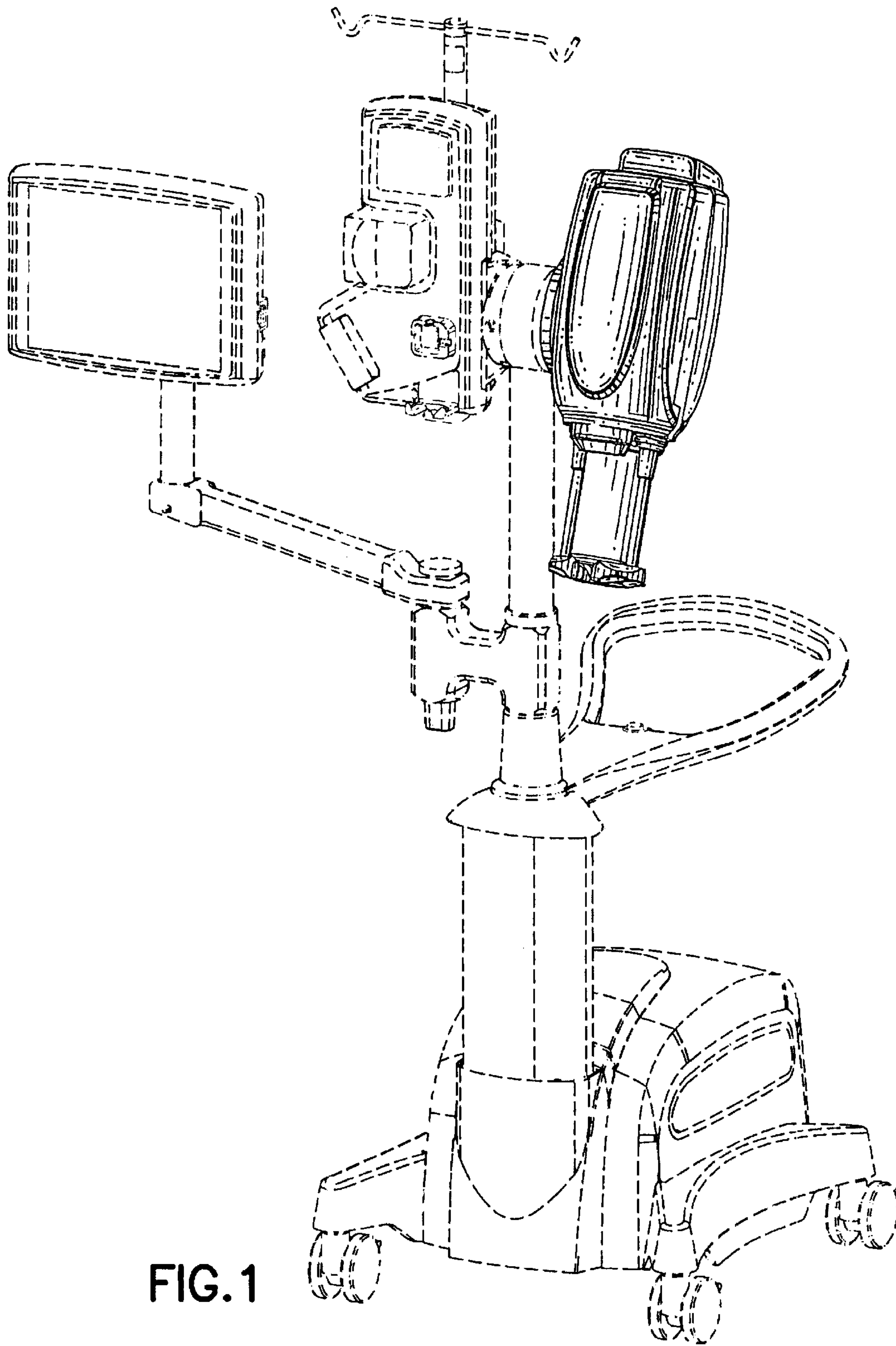


FIG. 1

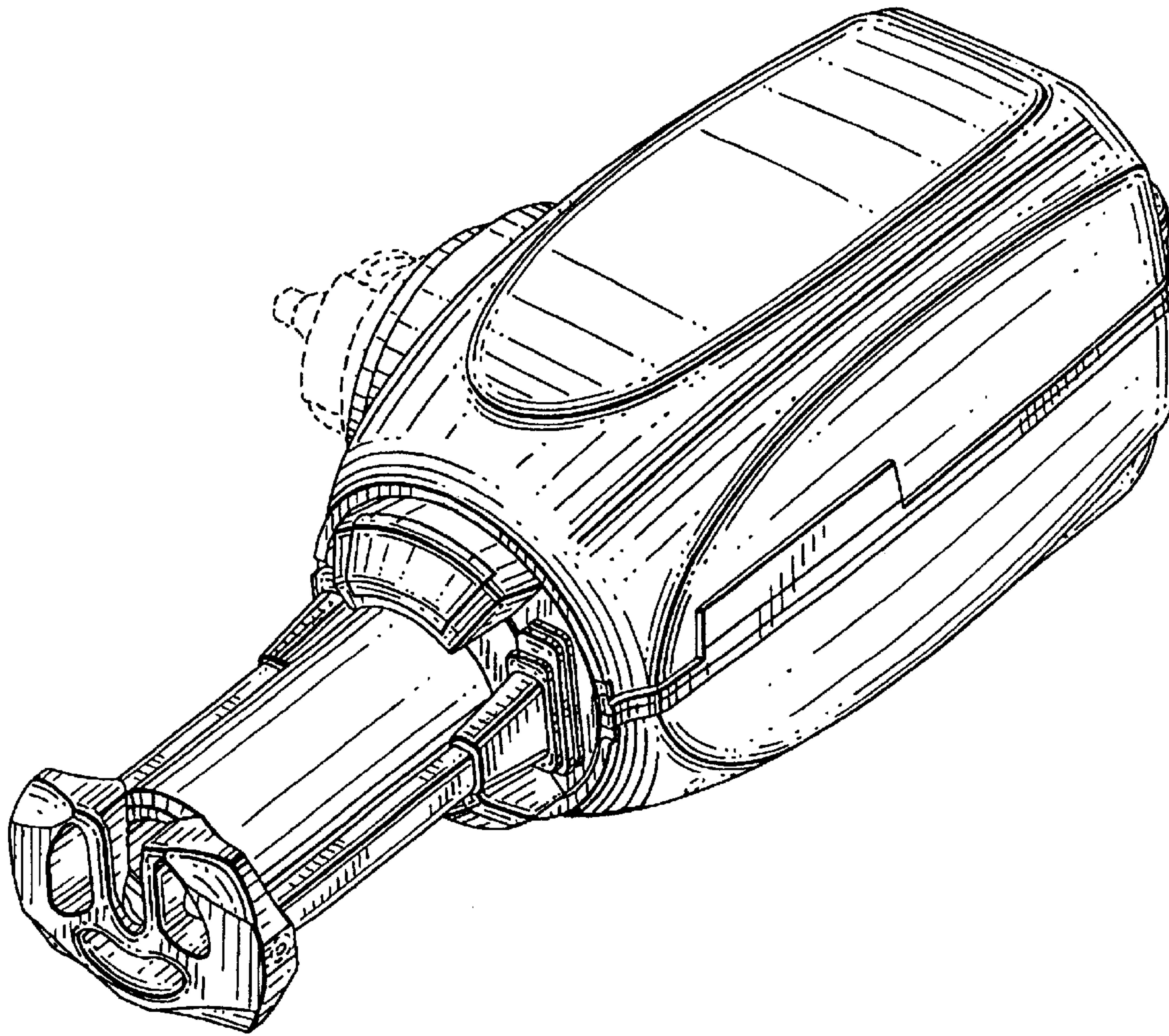


FIG.2

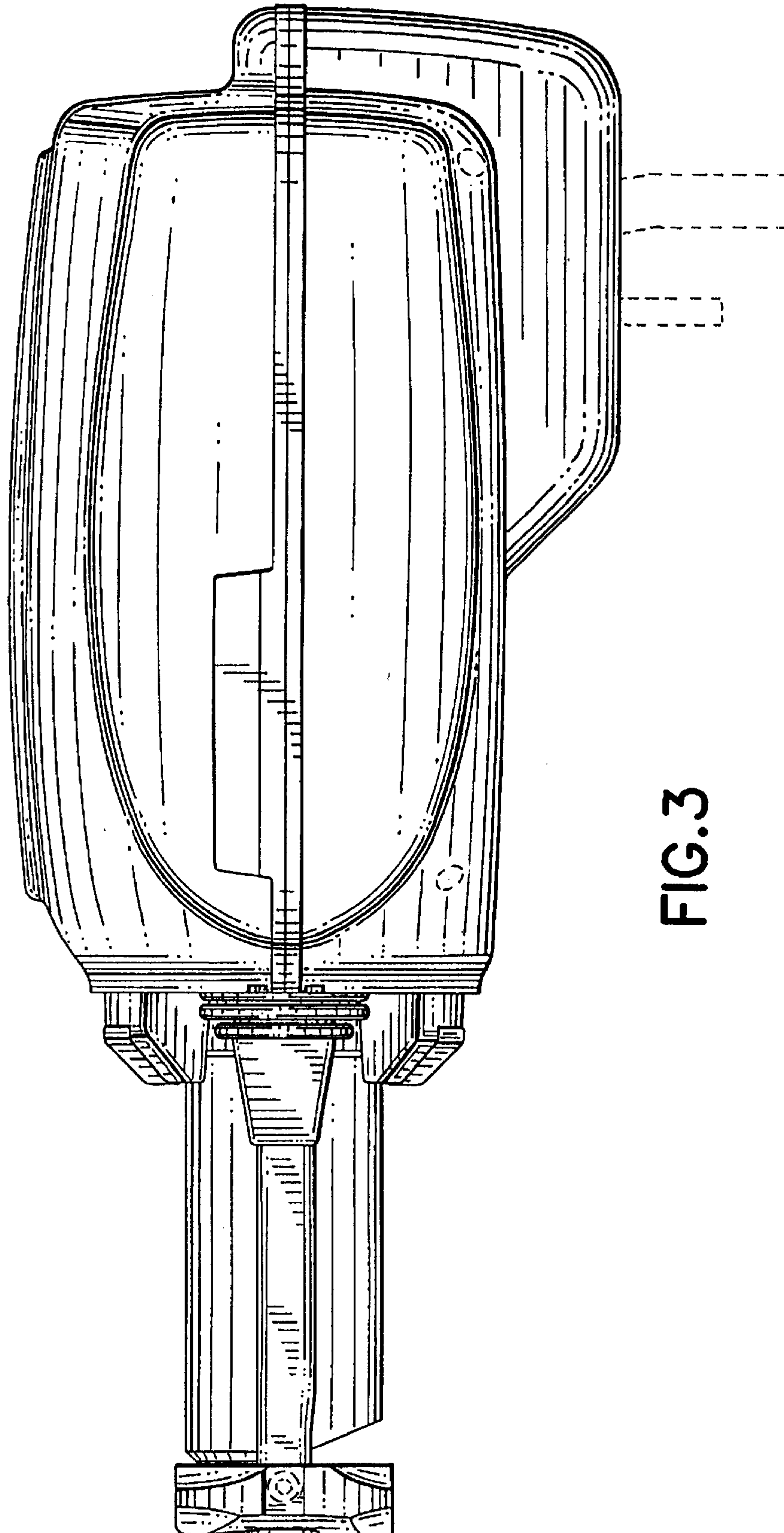


FIG. 3

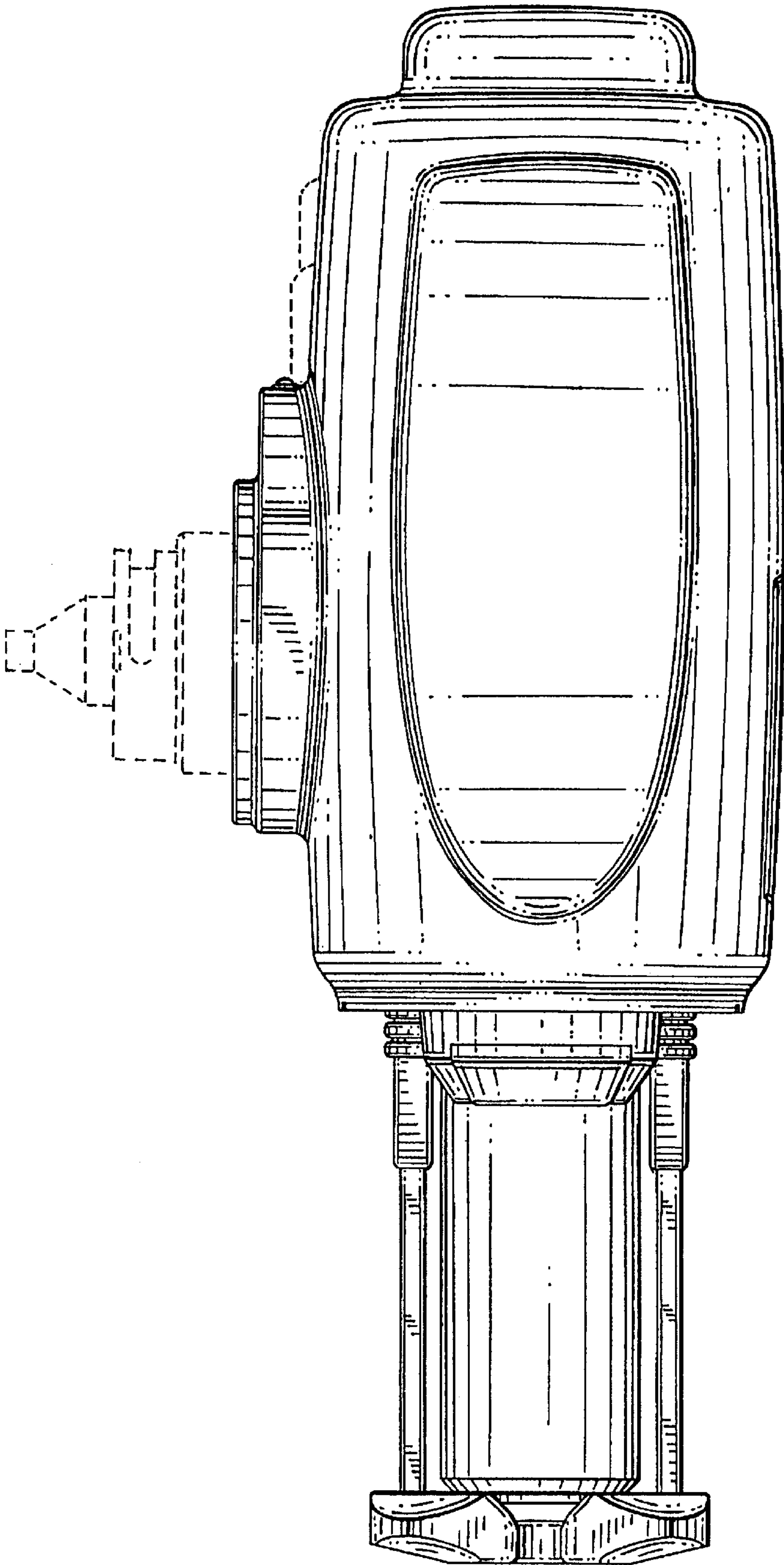


FIG. 4

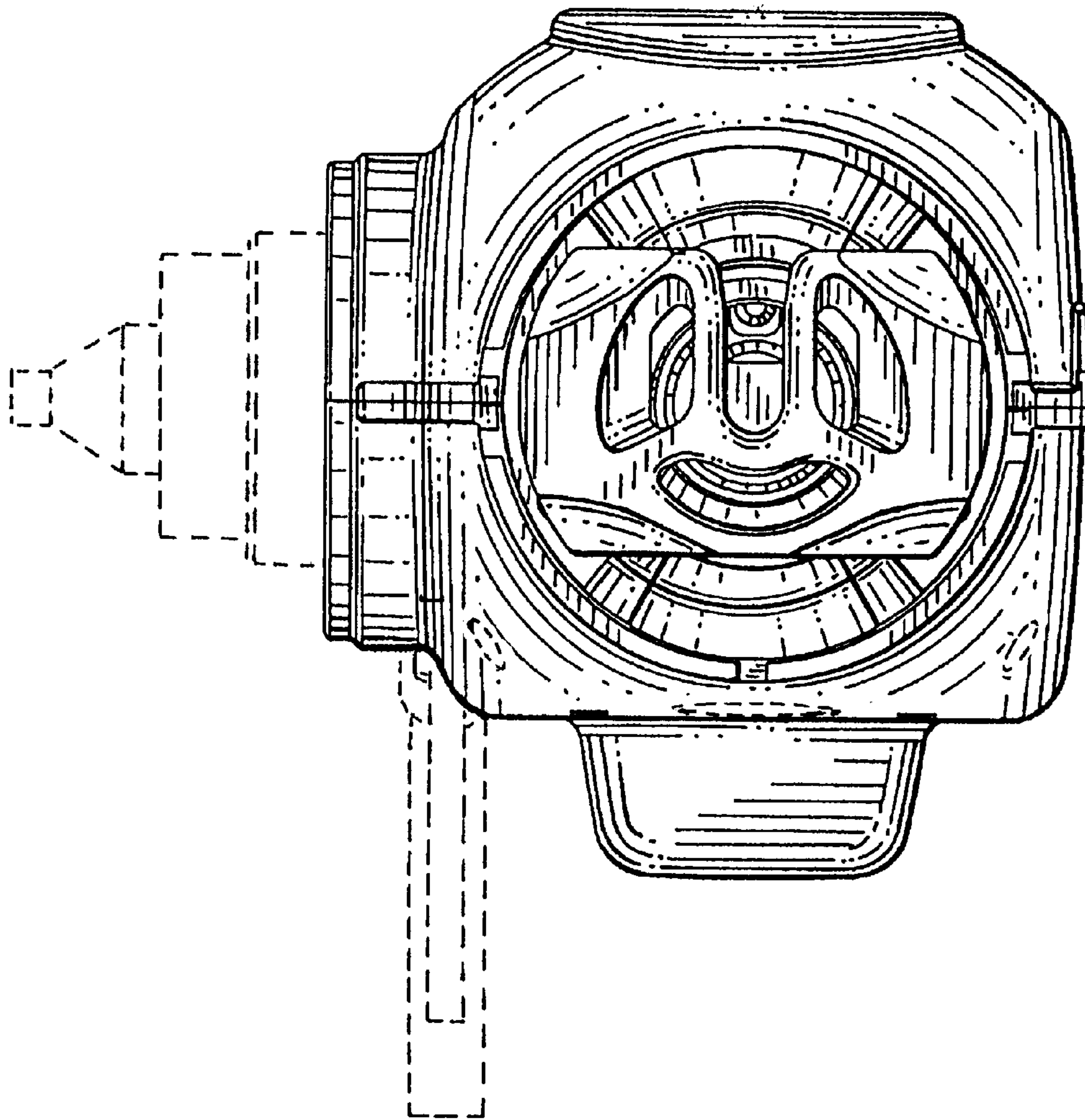


FIG.5

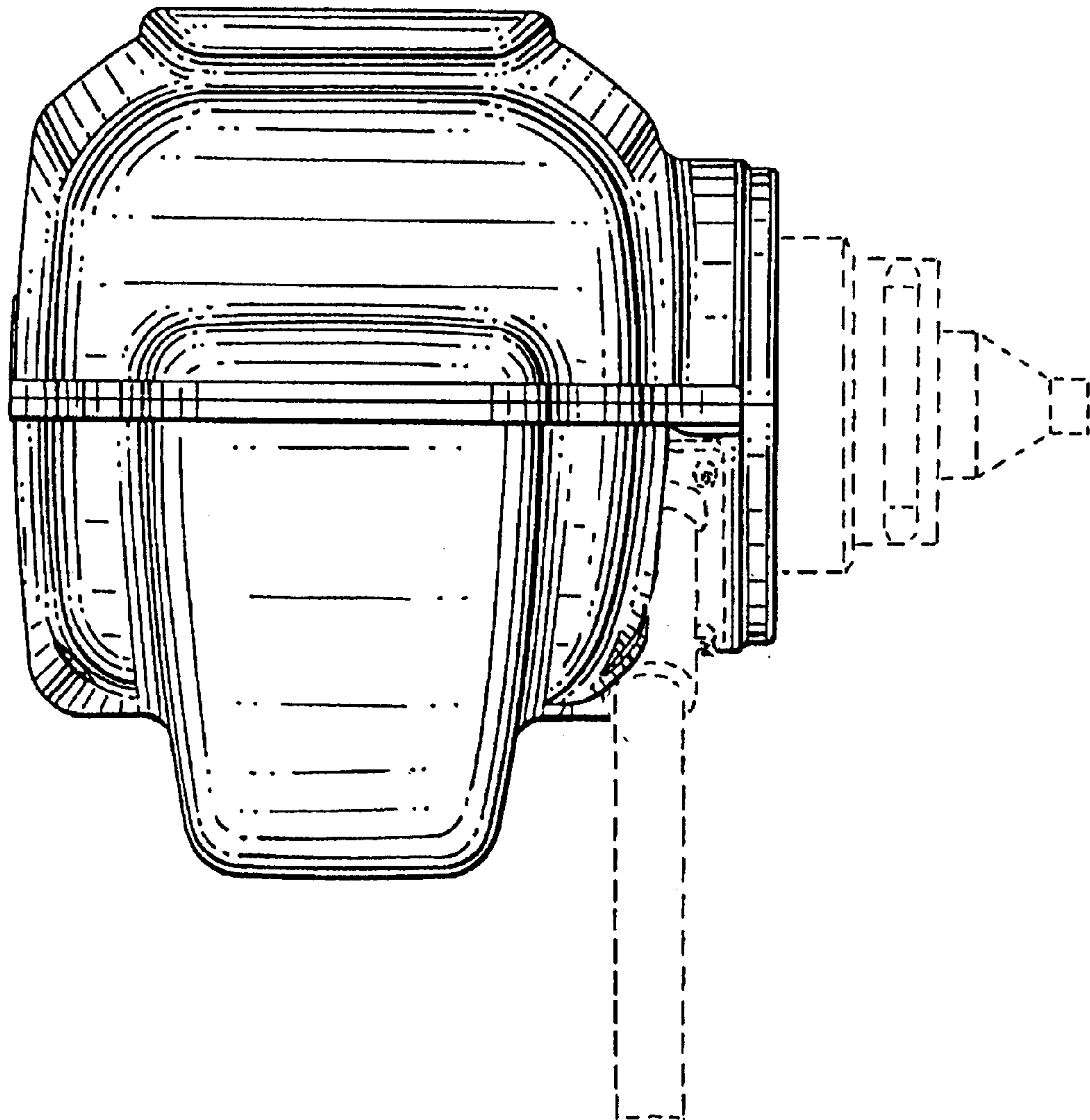


FIG.6

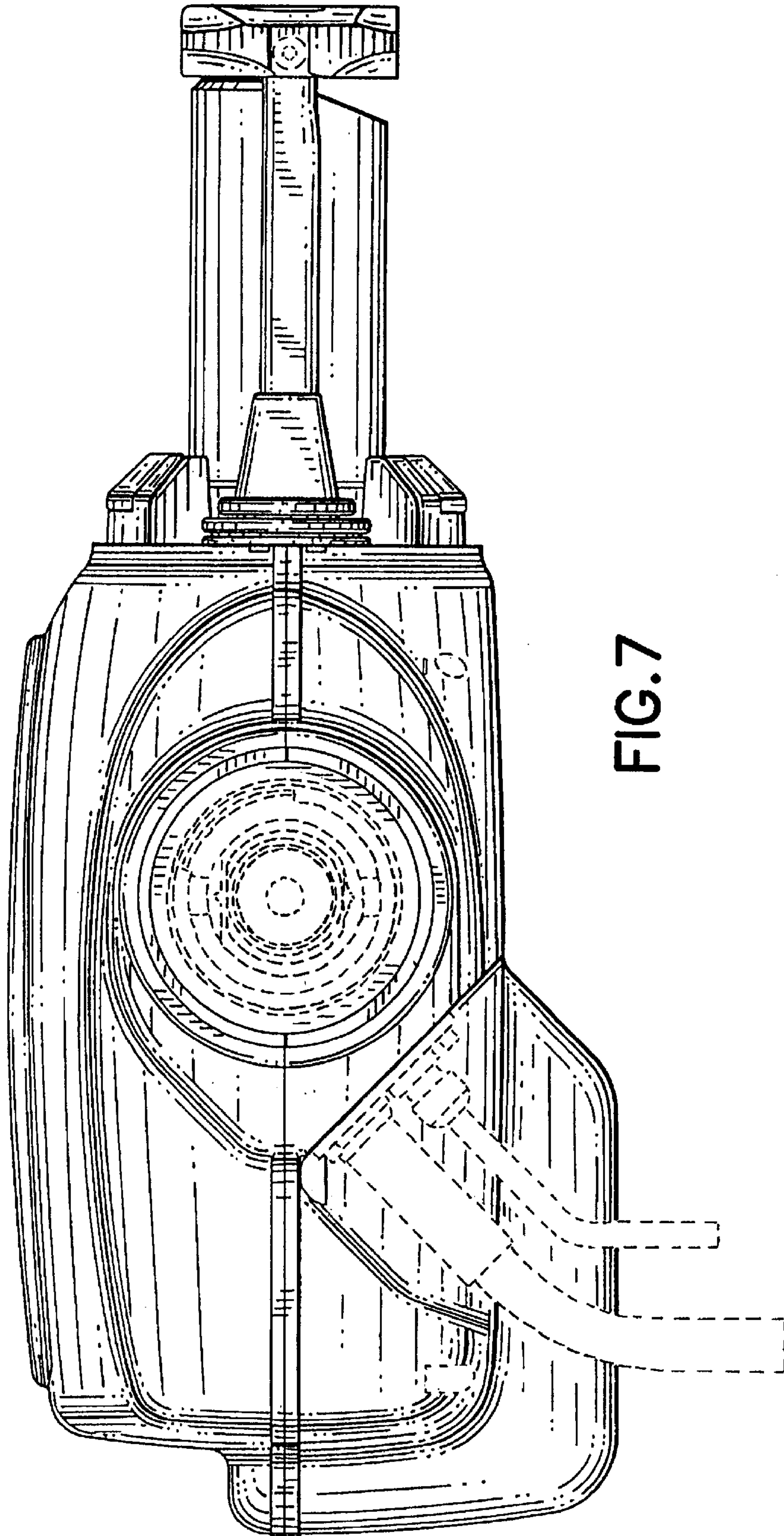


FIG. 7

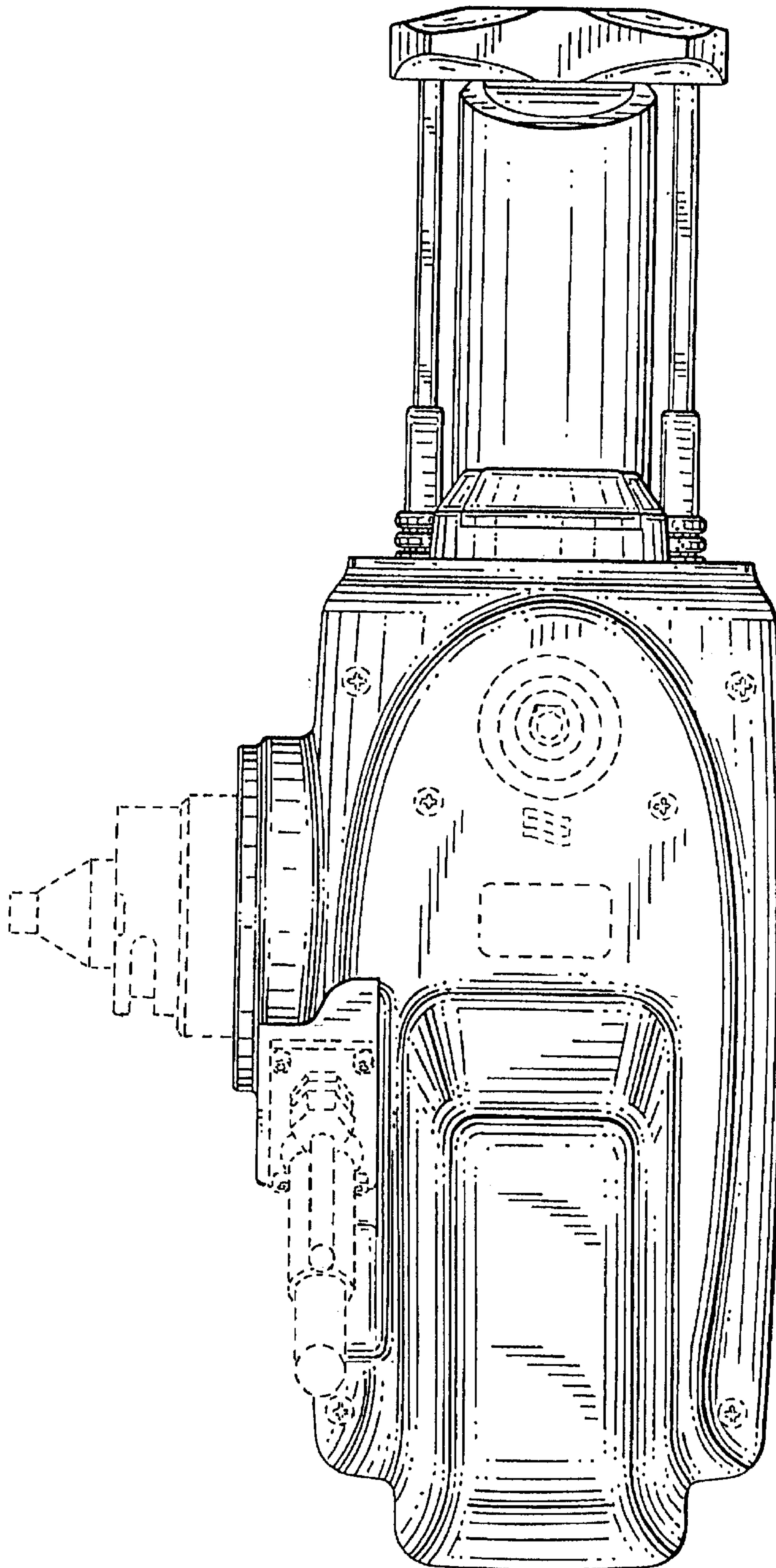


FIG.8