



US00D536451S

(12) **United States Design Patent**
Haydu

(10) **Patent No.:** **US D536,451 S**
(45) **Date of Patent:** **** Feb. 6, 2007**

(54) **EXTENDED THUMB GRIP ON AN ULTRA SONIC DENTAL SCALER**

(76) Inventor: **John P. Haydu**, 1980 Grant St.,
Hollywood, FL (US) 33020

(**) Term: **14 Years**

(21) Appl. No.: **29/239,277**

(22) Filed: **Sep. 27, 2005**

(51) **LOC (8) Cl.** **24-02**

(52) **U.S. Cl.** **D24/144; D24/146; D24/152**

(58) **Field of Classification Search** D24/144,
D24/146, 152, 133; 606/40, 45; D8/83; D21/725;
D3/12

See application file for complete search history.

(56) **References Cited**

U.S. PATENT DOCUMENTS

4,481,948	A	*	11/1984	Sole	606/45
5,395,368	A	*	3/1995	Ellman et al.	606/45
D359,354	S	*	6/1995	Butter	D24/144
D399,545	S	*	10/1998	Albarelli, Jr.	D21/725
D453,833	S	*	2/2002	Hess	D24/144
6,911,027	B1	*	6/2005	Edwards et al.	606/40

* cited by examiner

Primary Examiner—Ian Simmons
Assistant Examiner—Charles D. Hanson

(74) *Attorney, Agent, or Firm*—Robert M. Downey, PA

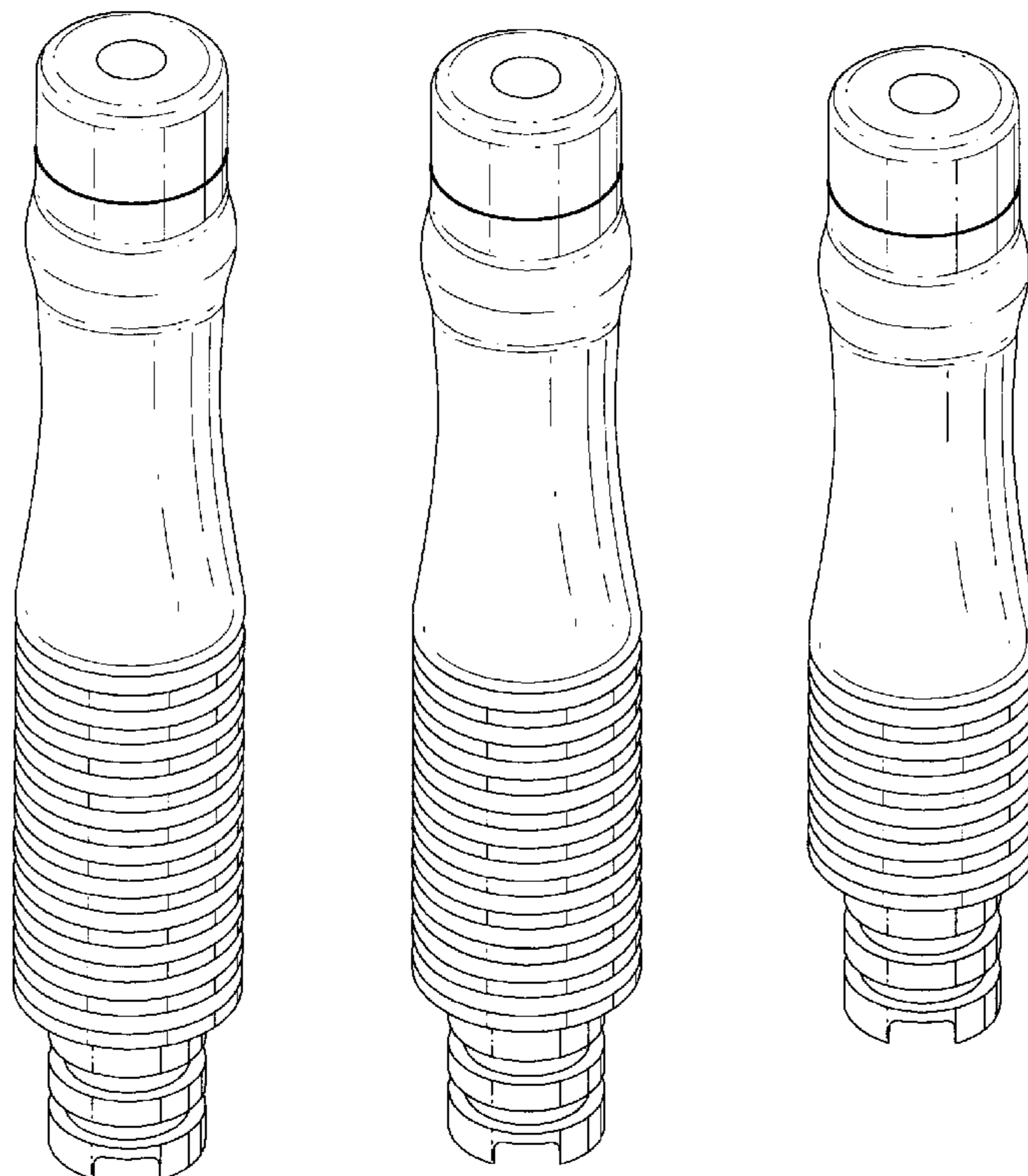
(57) **CLAIM**

The ornamental design for an extended thumb grip on an ultra sonic dental scaler, as shown and described.

DESCRIPTION

FIG. 1 is a front top perspective view of an extended thumb grip on an ultra sonic dental scaler showing my new design; FIG. 2 is a front elevational view thereof; FIG. 3 is a right side elevational view thereof, the left side elevational view being identical thereto; FIG. 4 is a bottom plan view thereof; FIG. 5 is a top plan view thereof; FIG. 6 is a front top perspective view showing a modified embodiment of the design showing in FIGS. 1–5; FIG. 7 is a front elevational view thereof; FIG. 8 is a right side elevational view thereof, the left side elevational view being identical thereto; FIG. 9 is a bottom plan view thereof; FIG. 10 is a top plan view thereof; FIG. 11 is a front top perspective view showing a second modified embodiment of the design showing in FIGS. 1–5; FIG. 12 is a front elevational view thereof; FIG. 13 is a right side elevational view thereof, the left side elevational view being identical thereto; FIG. 14 is a bottom plan view thereof; and, FIG. 15 is a top plan view thereof.

1 Claim, 9 Drawing Sheets



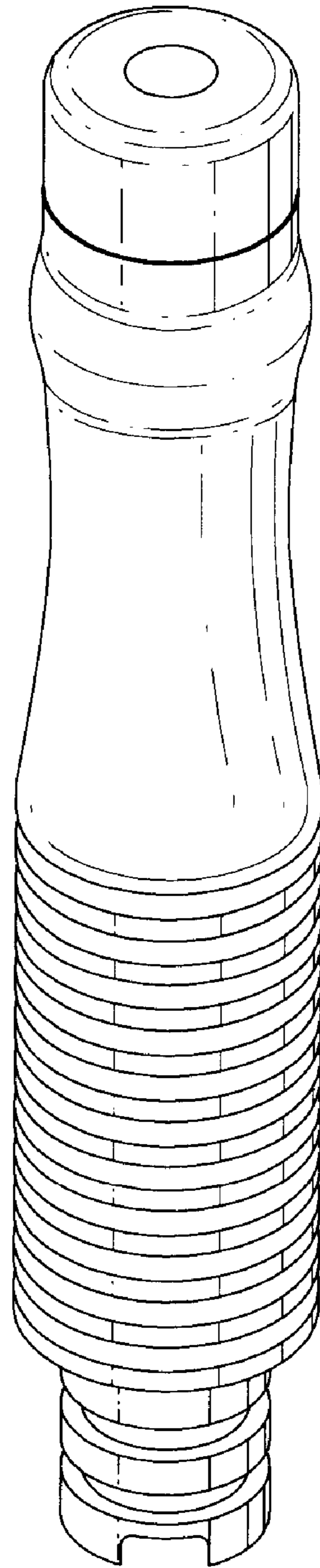


FIG. 1

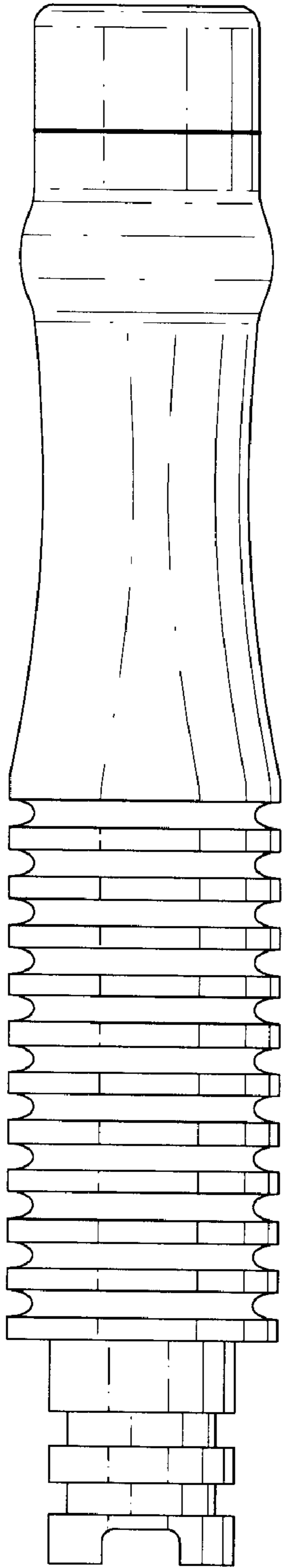


FIG. 2

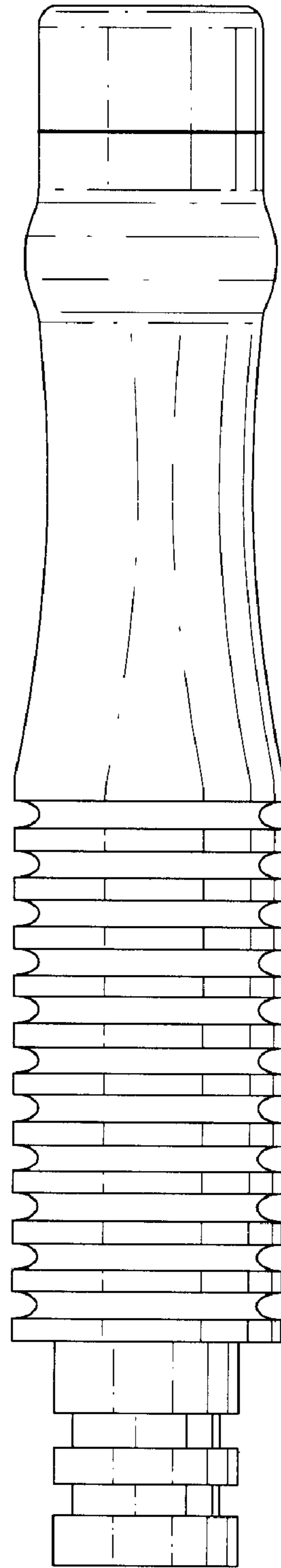


FIG. 3

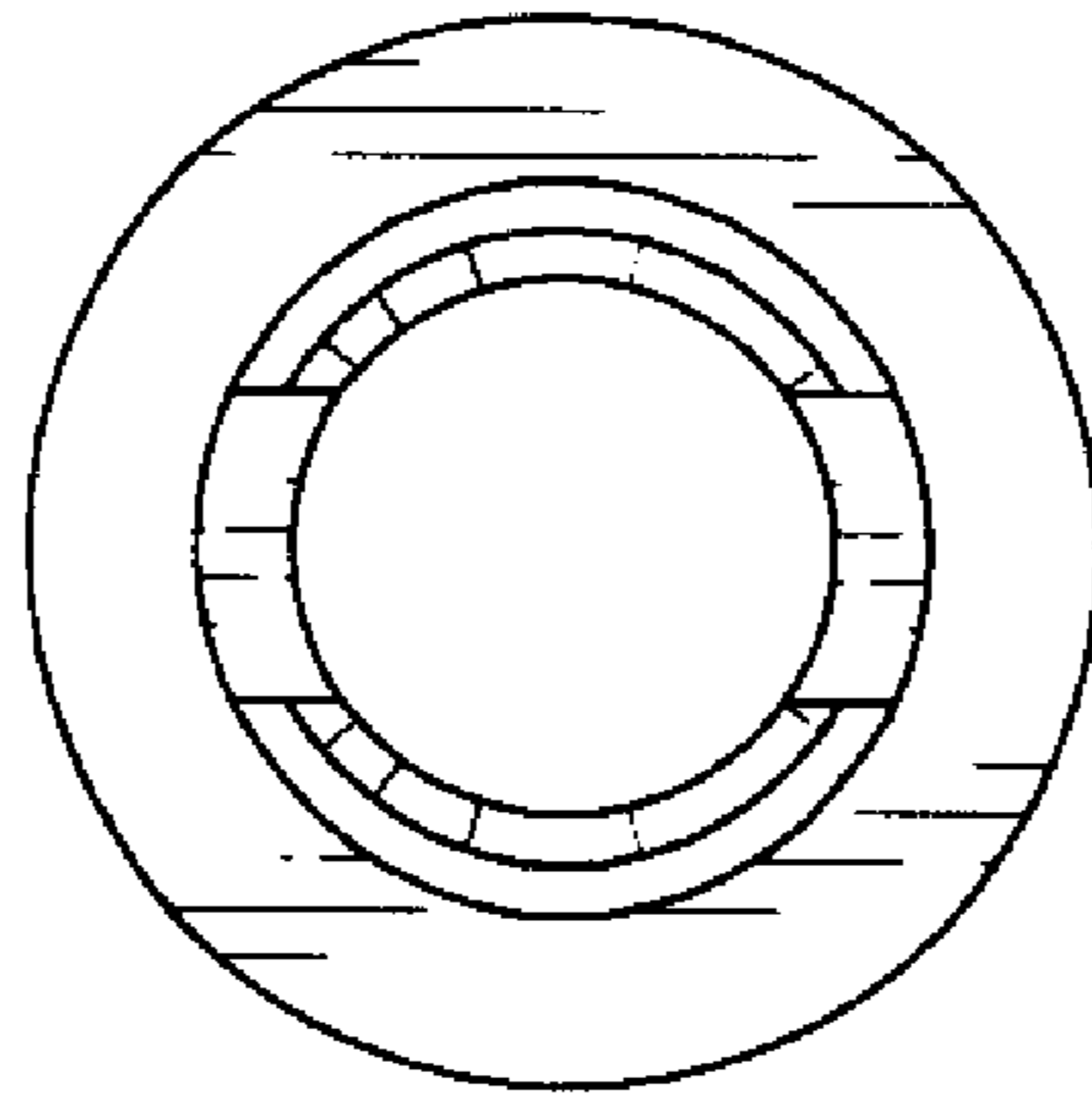


FIG. 4

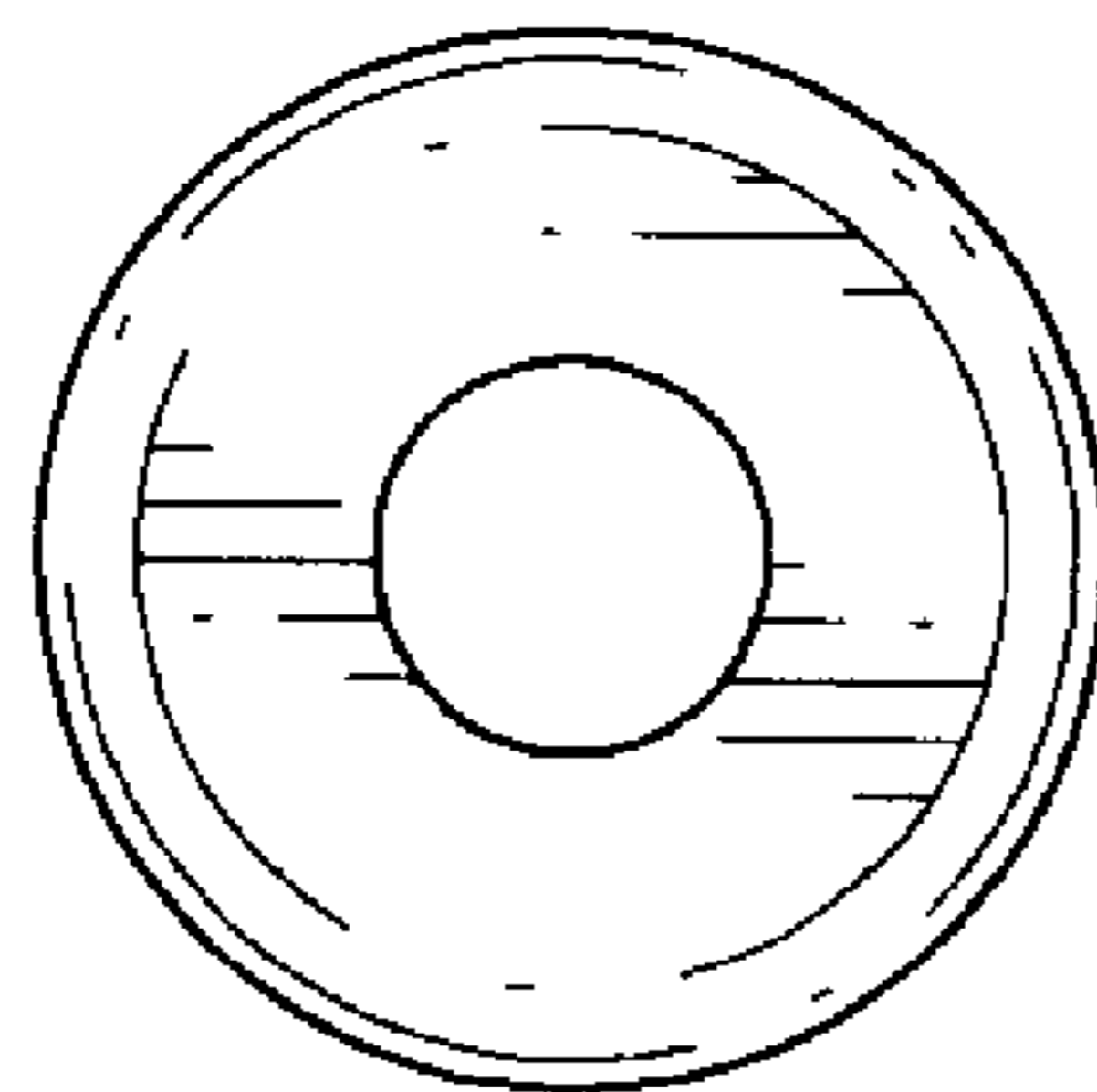


FIG. 5

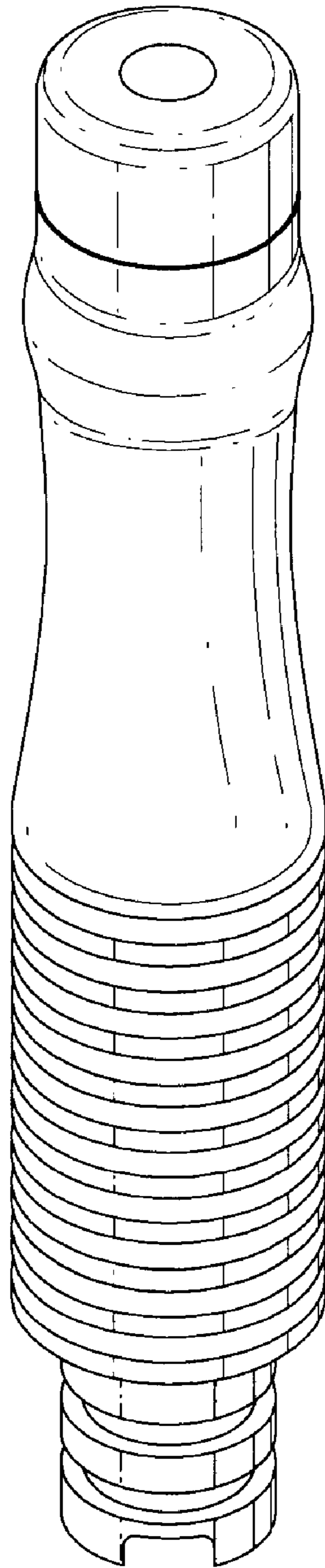


FIG. 6

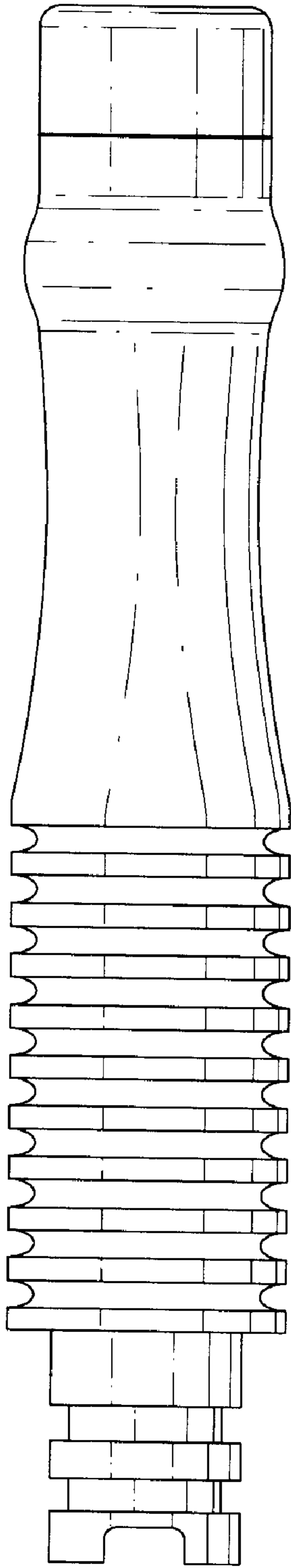


FIG. 7

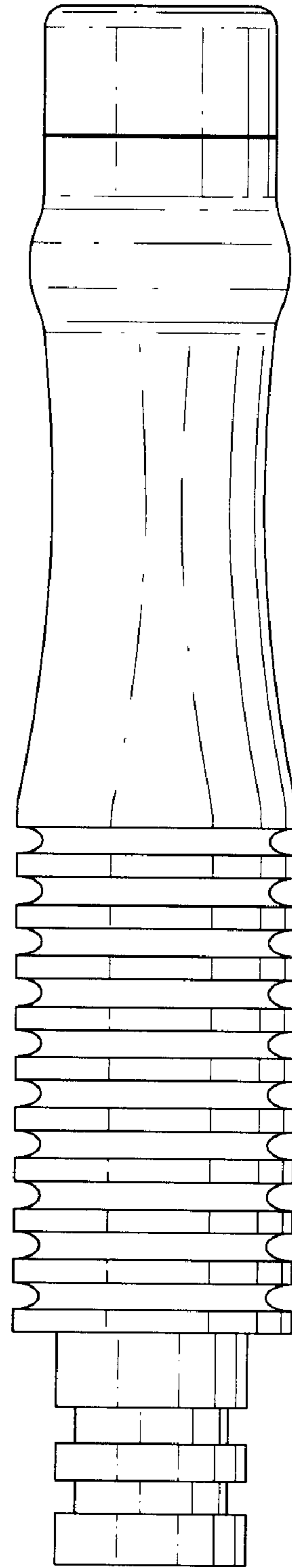


FIG. 8

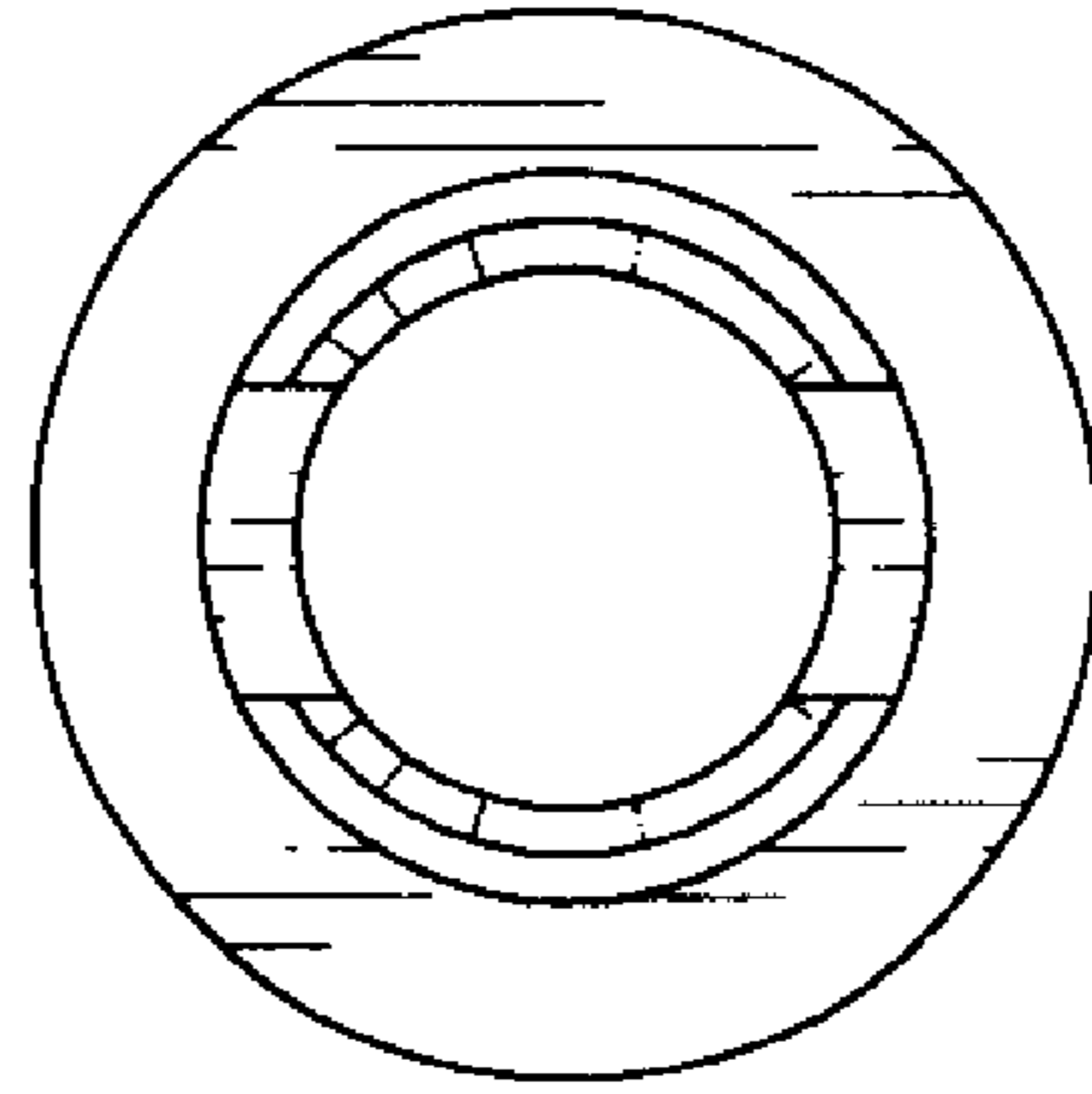


FIG. 9

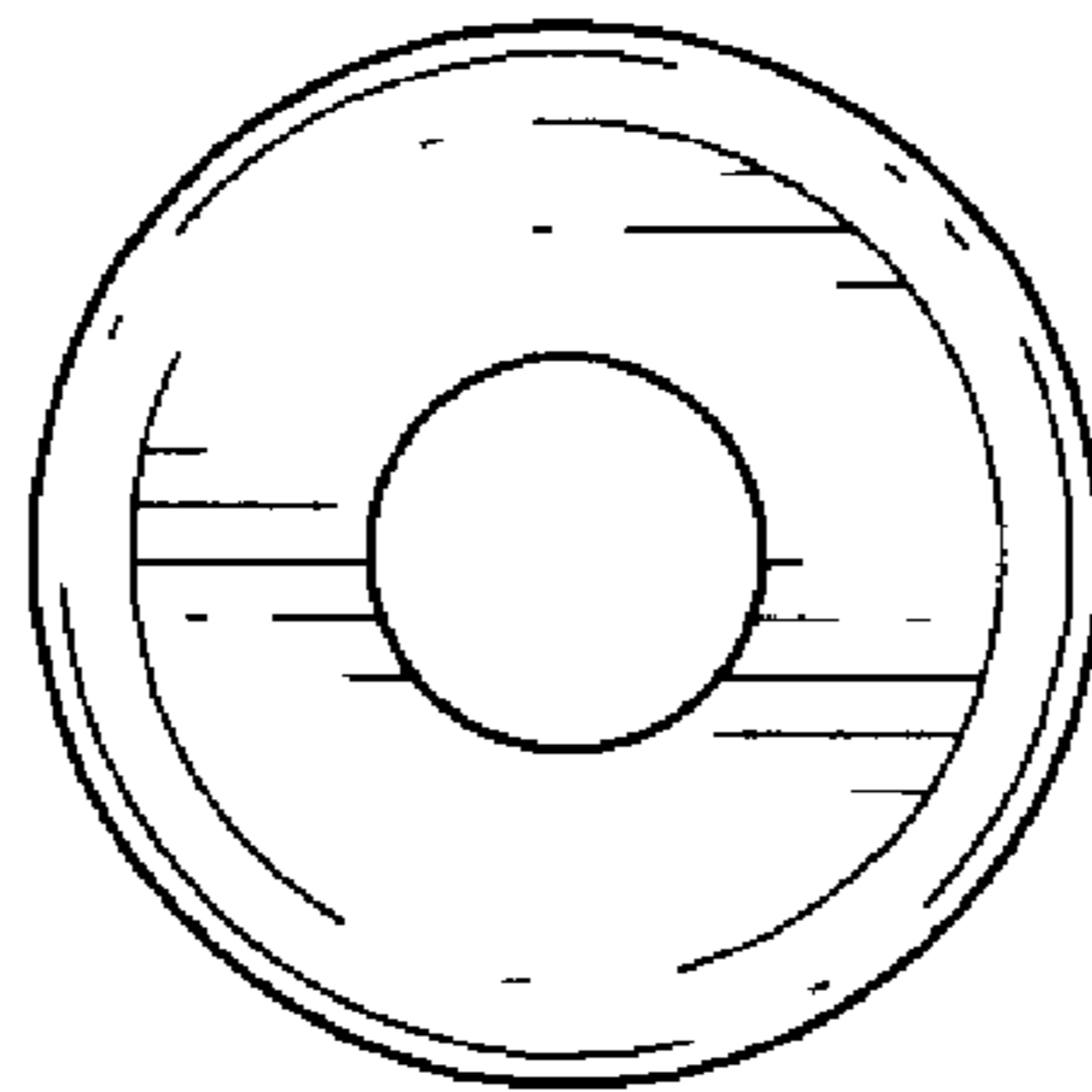


FIG. 10

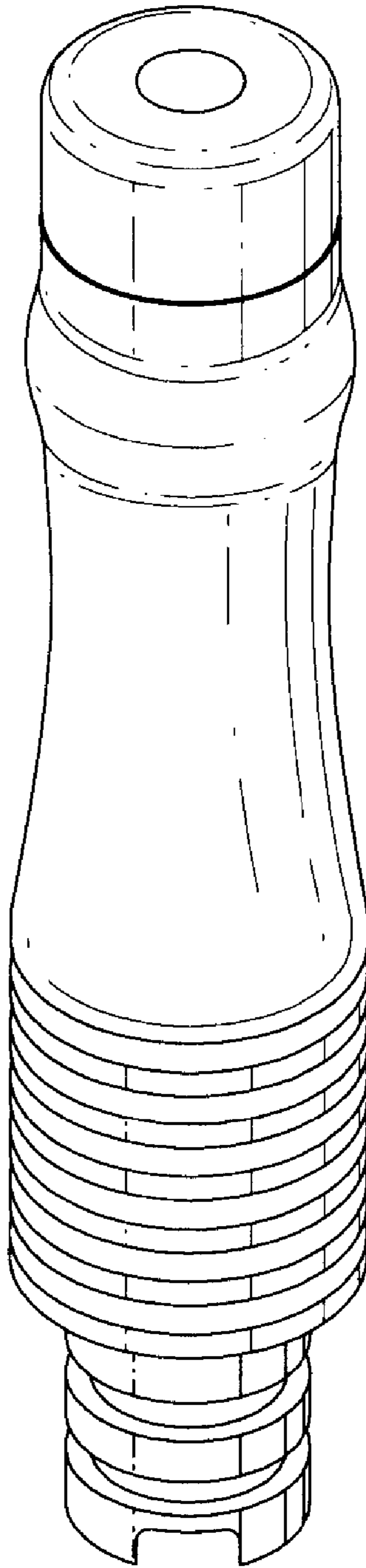


FIG. 11

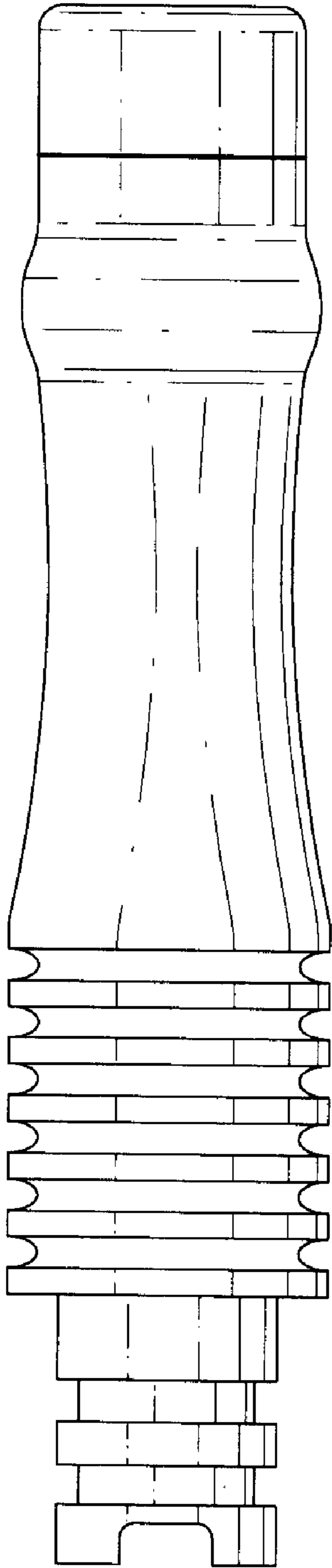


FIG. 12

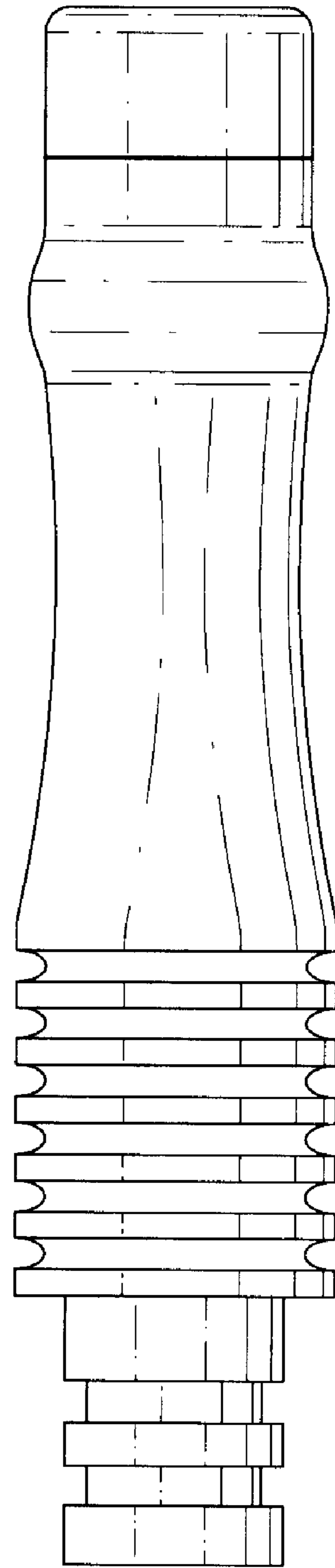


FIG. 13

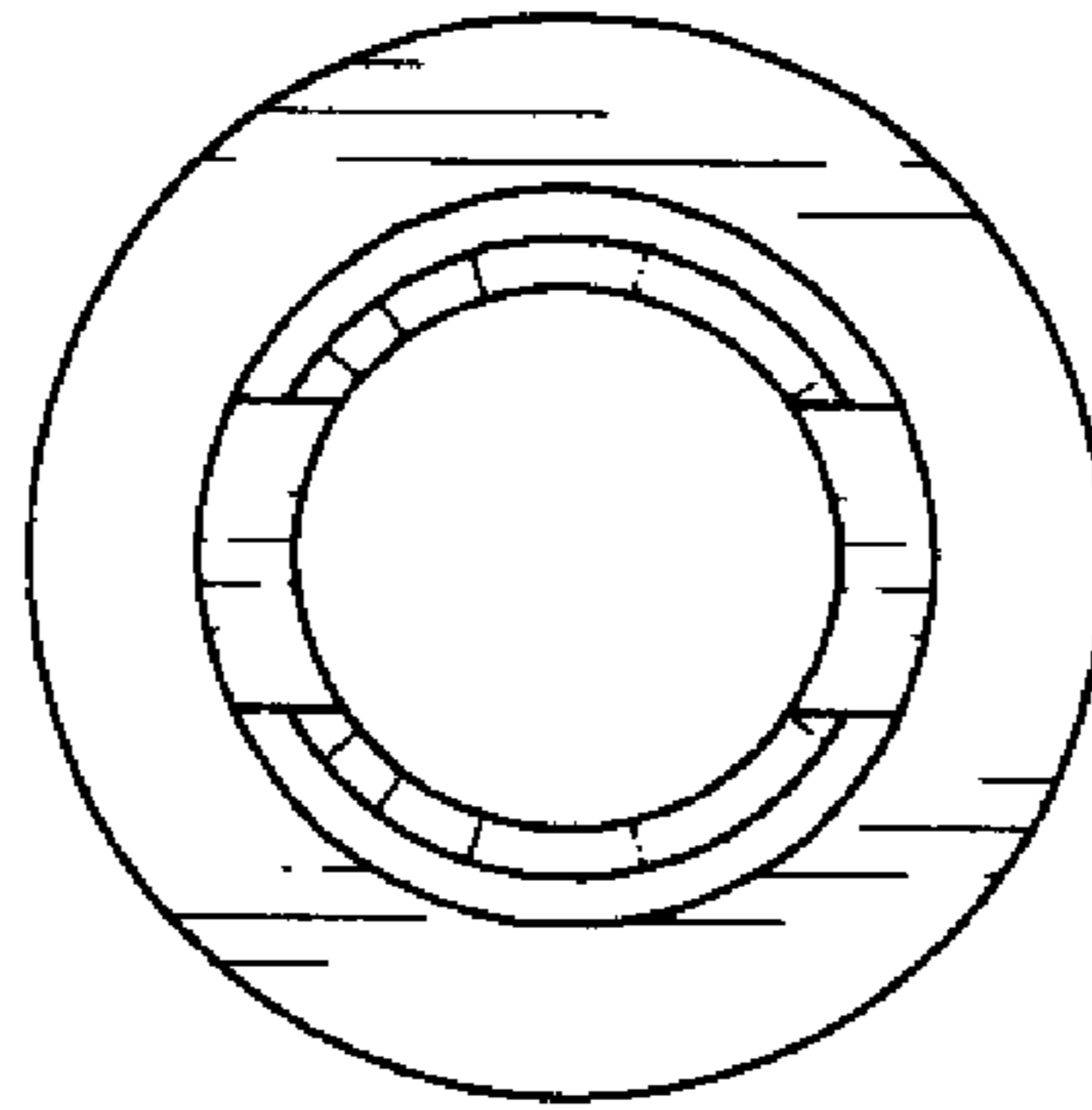


FIG. 14

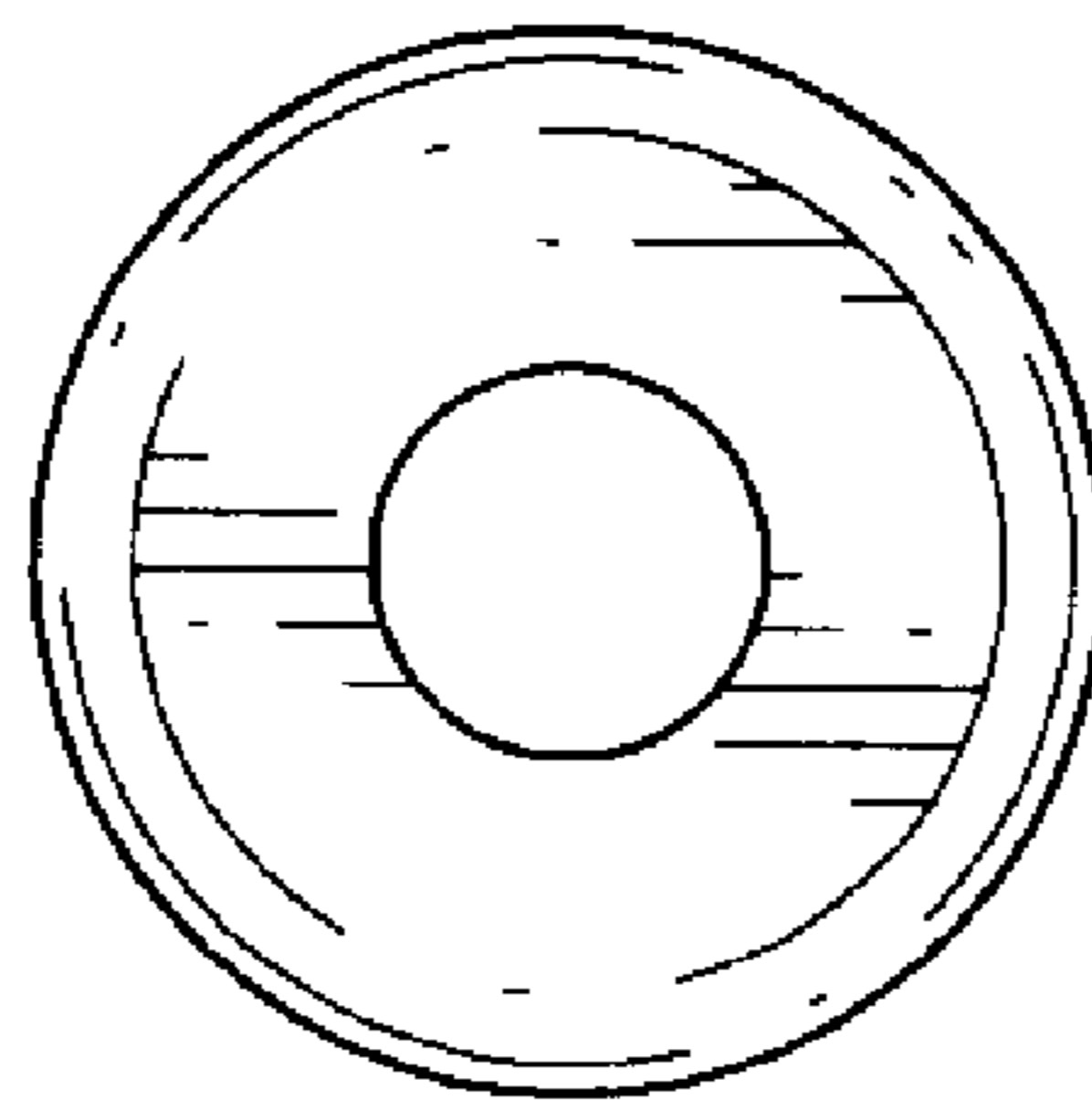


FIG. 15