



US00D536448S

(12) **United States Design Patent**  
**Jackson**

(10) **Patent No.:** **US D536,448 S**

(45) **Date of Patent:** **\*\* Feb. 6, 2007**

(54) **STETHOSCOPE**

(76) **Inventor:** **Judy Jackson**, 416 K Sky View Dr.,  
Birmingham, AL (US) 35209

(\*\*) **Term:** **14 Years**

(21) **Appl. No.:** **29/205,265**

(22) **Filed:** **May 12, 2004**

(51) **LOC (8) Cl.** ..... **24-02**

(52) **U.S. Cl.** ..... **D24/134**

(58) **Field of Classification Search** ..... D24/134;  
D14/223, 206, 205; 181/131, 135, 137; 381/67,  
381/381, 330, 376, 370, 372, 379; 600/528  
See application file for complete search history.

(56) **References Cited**

**U.S. PATENT DOCUMENTS**

882,700 A	3/1908	Lewis	
3,993,161 A	11/1976	Shore	
4,055,233 A	10/1977	Huntress	
4,254,302 A	* 3/1981	Walshe	..... 381/67

4,299,303 A	11/1981	Clark	
4,598,417 A	7/1986	Deno	
4,633,971 A	* 1/1987	Robbins	..... 181/131
4,783,813 A	* 11/1988	Kempka	..... 381/67
5,604,811 A	2/1997	McIntyre et al.	
D495,684 S	* 9/2004	Hirano	..... D14/223
2002/0129989 A1	9/2002	Parsons	

\* cited by examiner

*Primary Examiner*—Ian Simmons

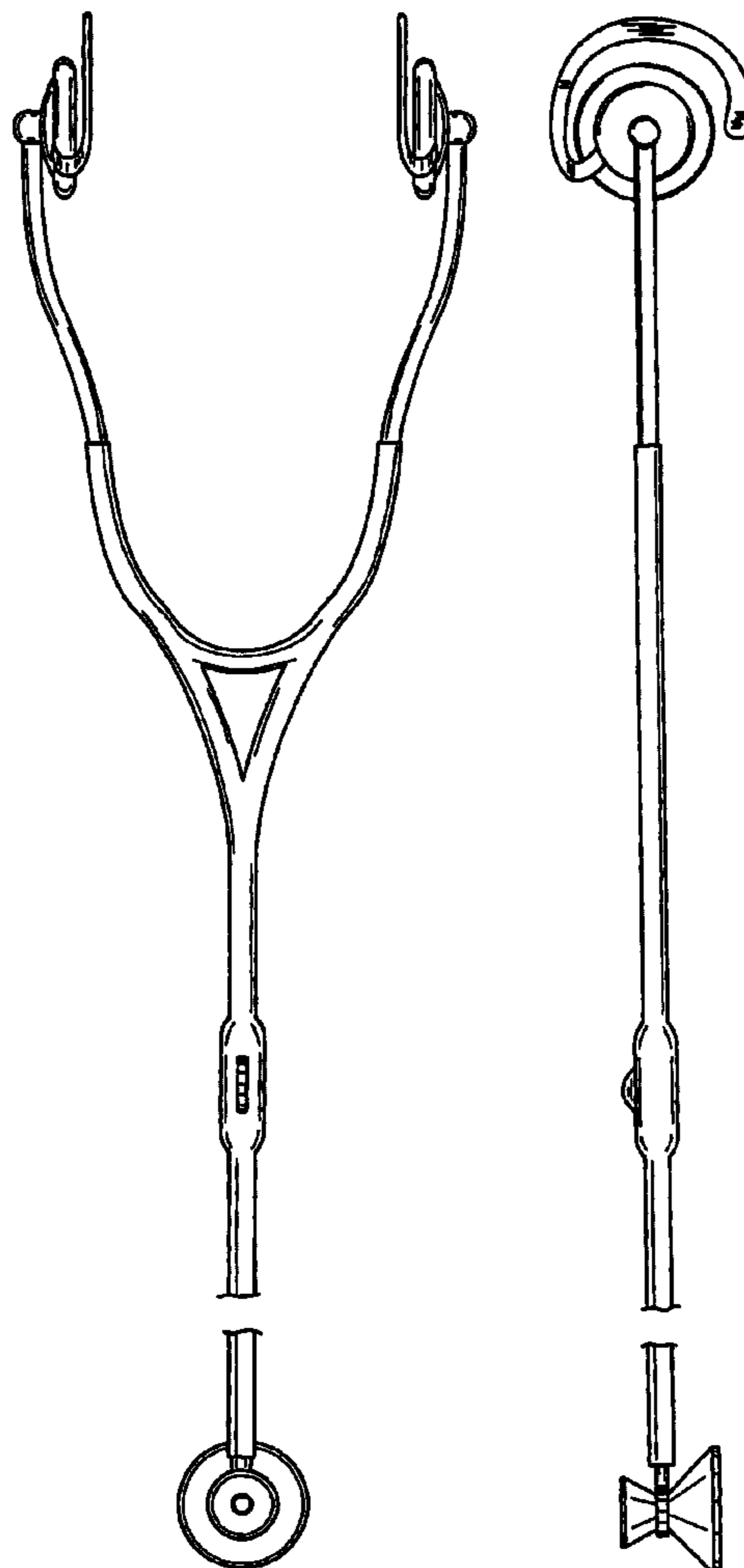
(57) **CLAIM**

The ornamental design for a stethoscope, as shown and described.

**DESCRIPTION**

FIG. 1 is a front elevational view of a stethoscope showing my new design;  
FIG. 2 is a rear elevational view thereof;  
FIG. 3 is a side elevational view thereof;  
FIG. 4 is a top plan view thereof; and,  
FIG. 5 is a bottom plan view thereof.

**1 Claim, 3 Drawing Sheets**



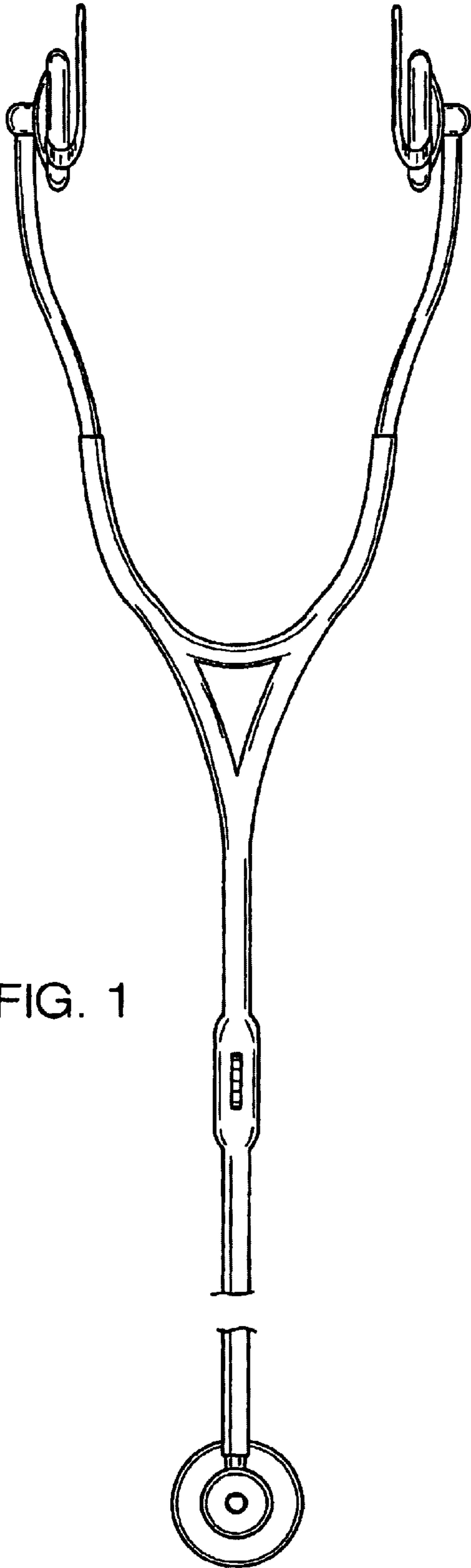


FIG. 1

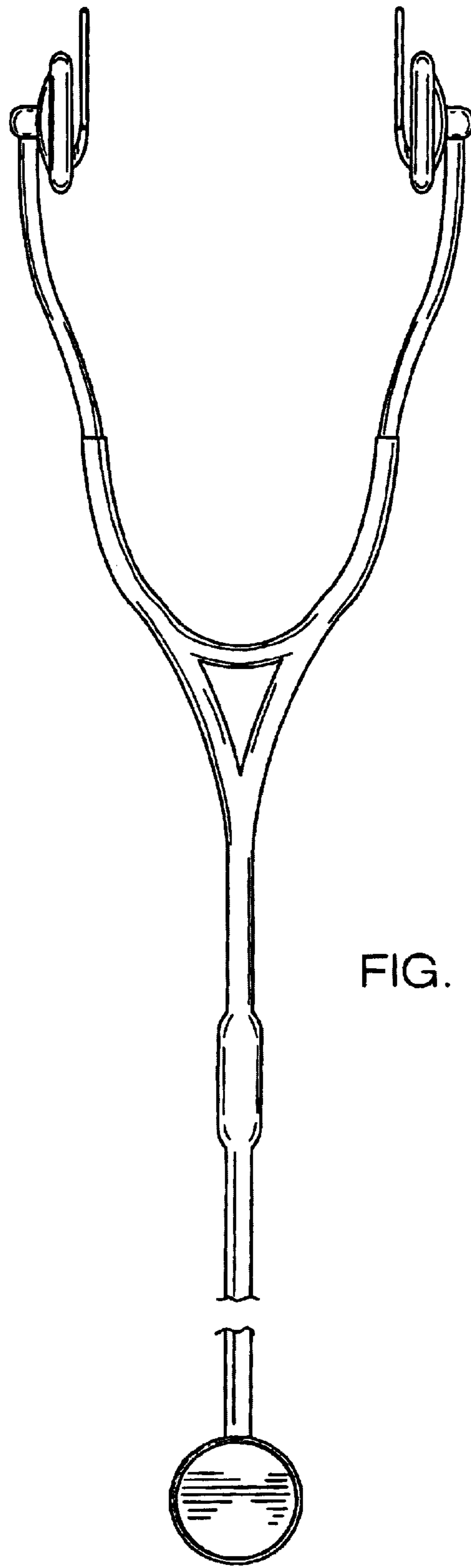


FIG. 2

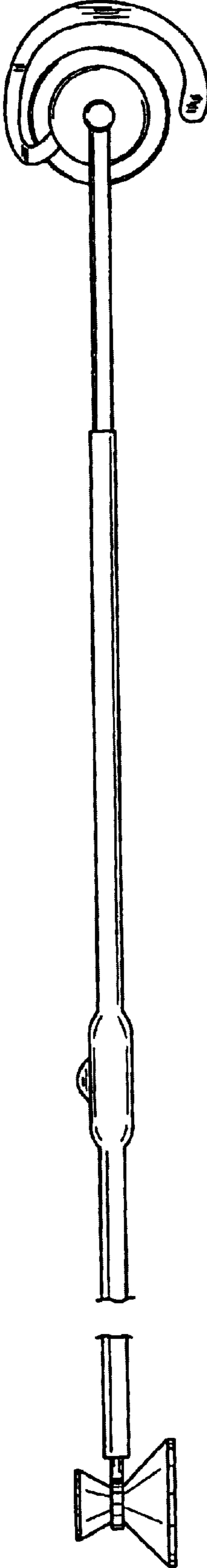


FIG. 3

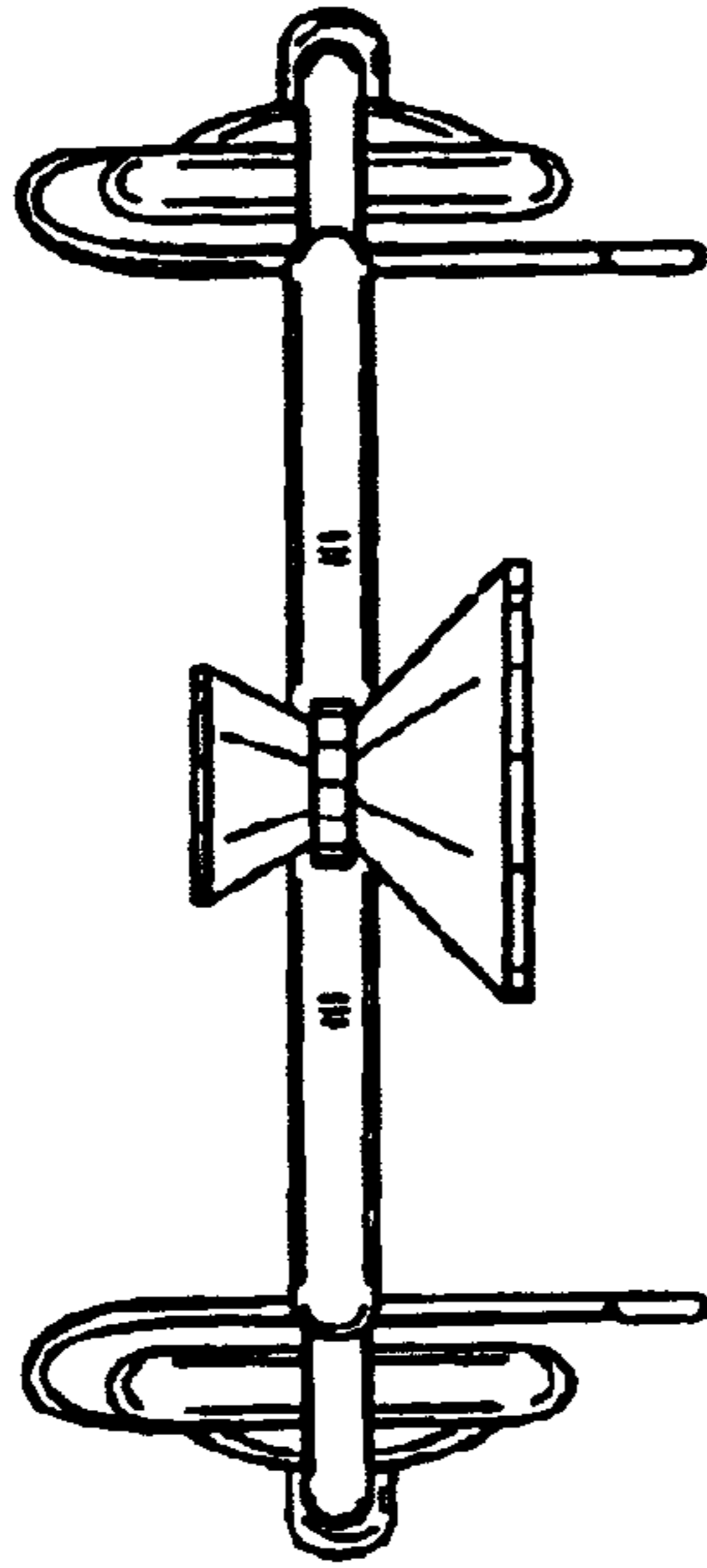


FIG. 5

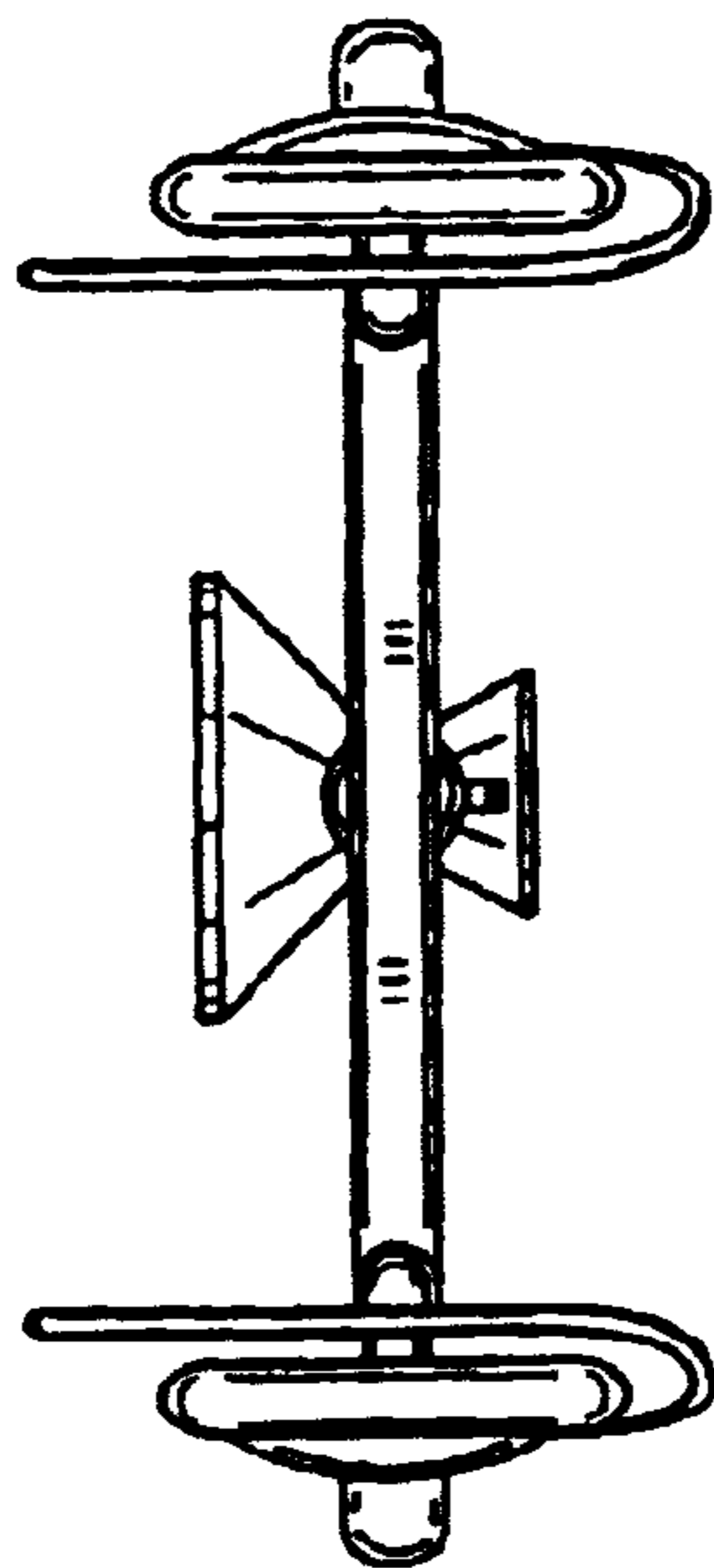


FIG. 4