



US00D536446S

(12) **United States Design Patent** (10) **Patent No.:** **US D536,446 S**
Doll et al. (45) **Date of Patent:** **** Feb. 6, 2007**

(54) **UTERUS MANIPULATOR**

(75) Inventors: **Frank Doll**, Talheim (DE); **Martin Hahn**, Boll (DE); **Sascha Berberich**, Tuttlingen (DE)

(73) Assignee: **Karl Storz GmbH & Co. KG** (DE)

(**) Term: **14 Years**

(21) Appl. No.: **29/232,381**

(22) Filed: **Jun. 17, 2005**

(30) **Foreign Application Priority Data**

Dec. 17, 2004 (EM) 000270830

(51) **LOC (8) Cl.** **24-02**

(52) **U.S. Cl.** **D24/133; D24/141; D24/147**

(58) **Field of Classification Search** D24/133, D24/144, 145, 146, 147, 143, 141; 606/193, 606/167, 51, 119, 205, 208

See application file for complete search history.

(56) **References Cited**

U.S. PATENT DOCUMENTS

5,445,643 A * 8/1995 Valtchev 606/119
5,487,377 A * 1/1996 Smith et al. 600/204
5,562,679 A * 10/1996 Valtchev 606/119

5,645,561 A * 7/1997 Smith et al. 606/193
D421,497 S * 3/2000 Wattiez D24/141
D449,499 S * 10/2001 Voges D8/32
2004/0111097 A1 * 6/2004 Van Heerden 606/119
2005/0261714 A1 * 11/2005 McCartney 606/167

* cited by examiner

Primary Examiner—Ian Simmons

Assistant Examiner—Christopher Lee

(74) *Attorney, Agent, or Firm*—St. Onge Steward Johnston & Reens LLC

(57) **CLAIM**

The ornamental design for an uterus manipulator, as shown and described.

DESCRIPTION

FIG. 1 is a right side view of a uterus manipulator in accordance with the new design;

FIG. 2 is a left side view of the uterus manipulator of FIG. 1;

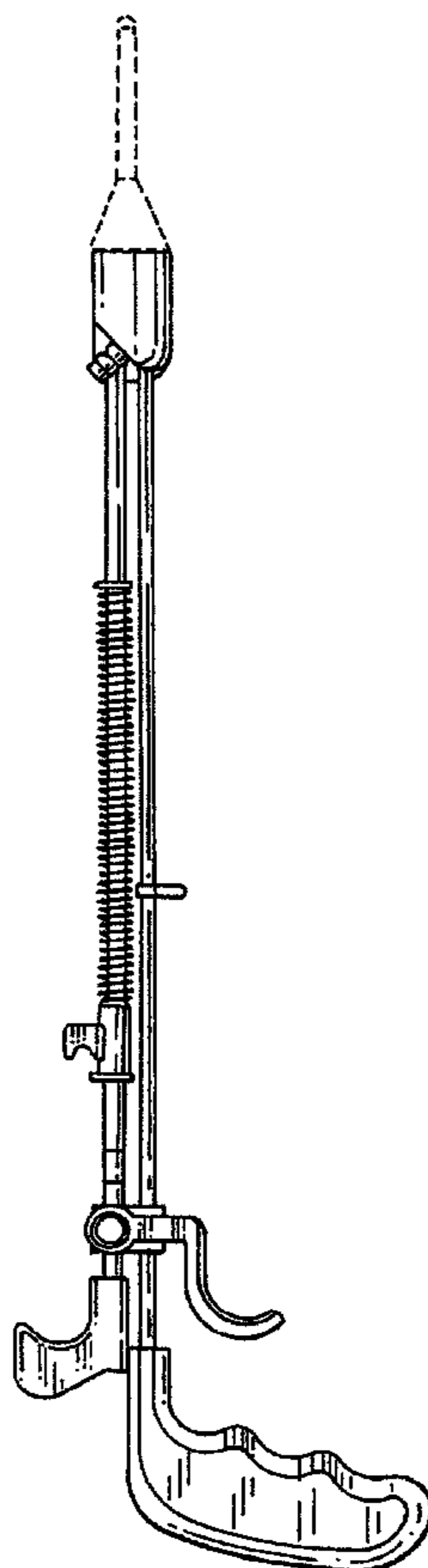
FIG. 3 is a top view of the uterus manipulator of FIG. 1;

FIG. 4 is a bottom view of the uterus manipulator of FIG. 1;

FIG. 5 is a perspective view of the uterus manipulator of FIG. 1, with tool holder turned upward; and,

FIG. 6 is a right side view of the uterus manipulator of FIG. 1, with tool inserted in tool holder.

1 Claim, 6 Drawing Sheets



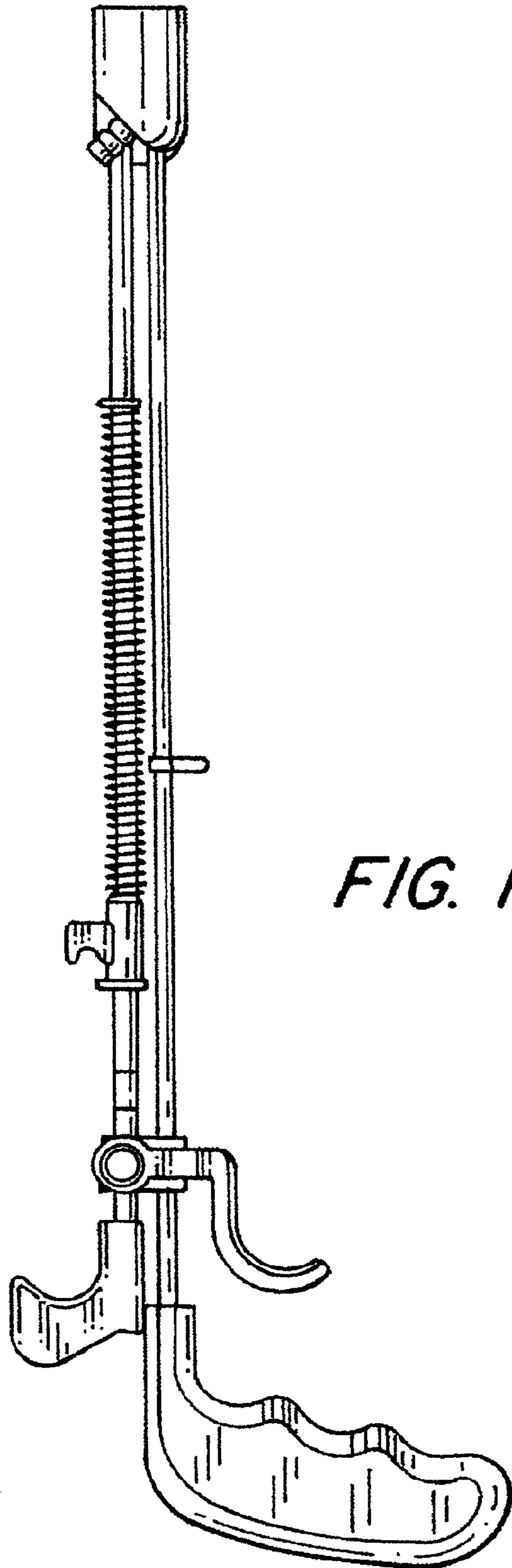


FIG. 1

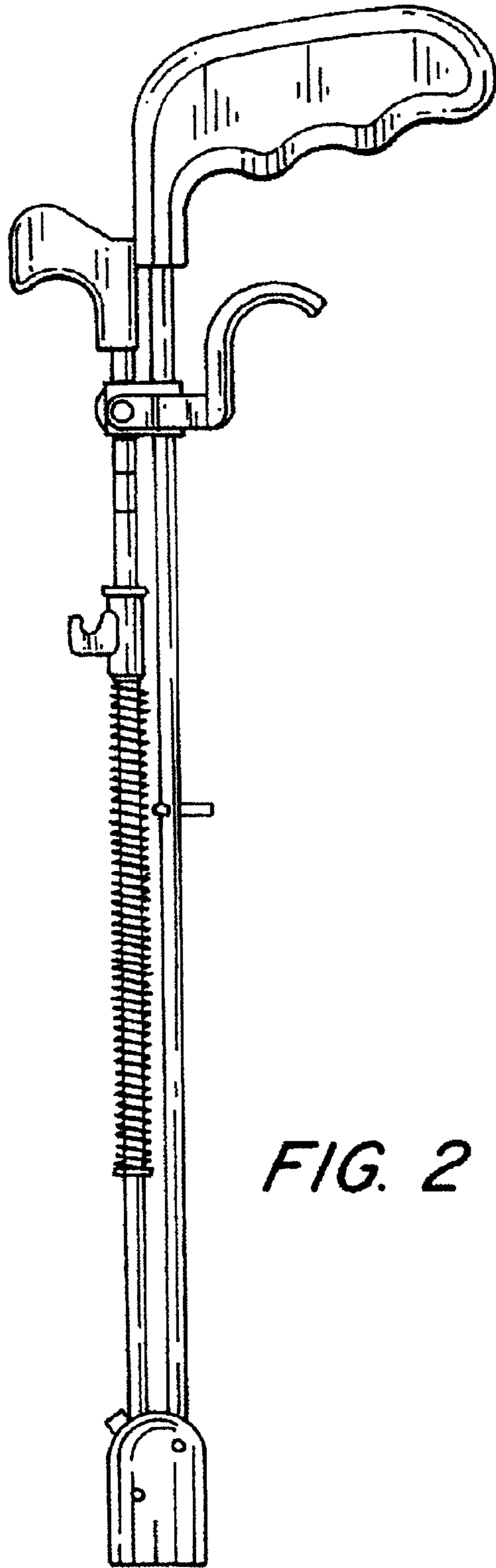


FIG. 2

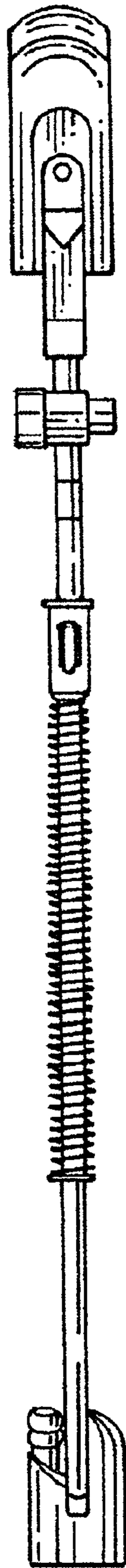


FIG. 3

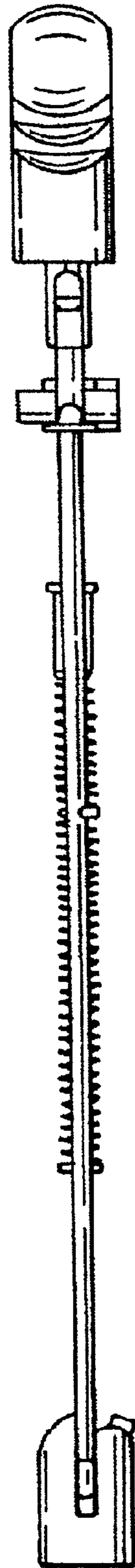


FIG. 4

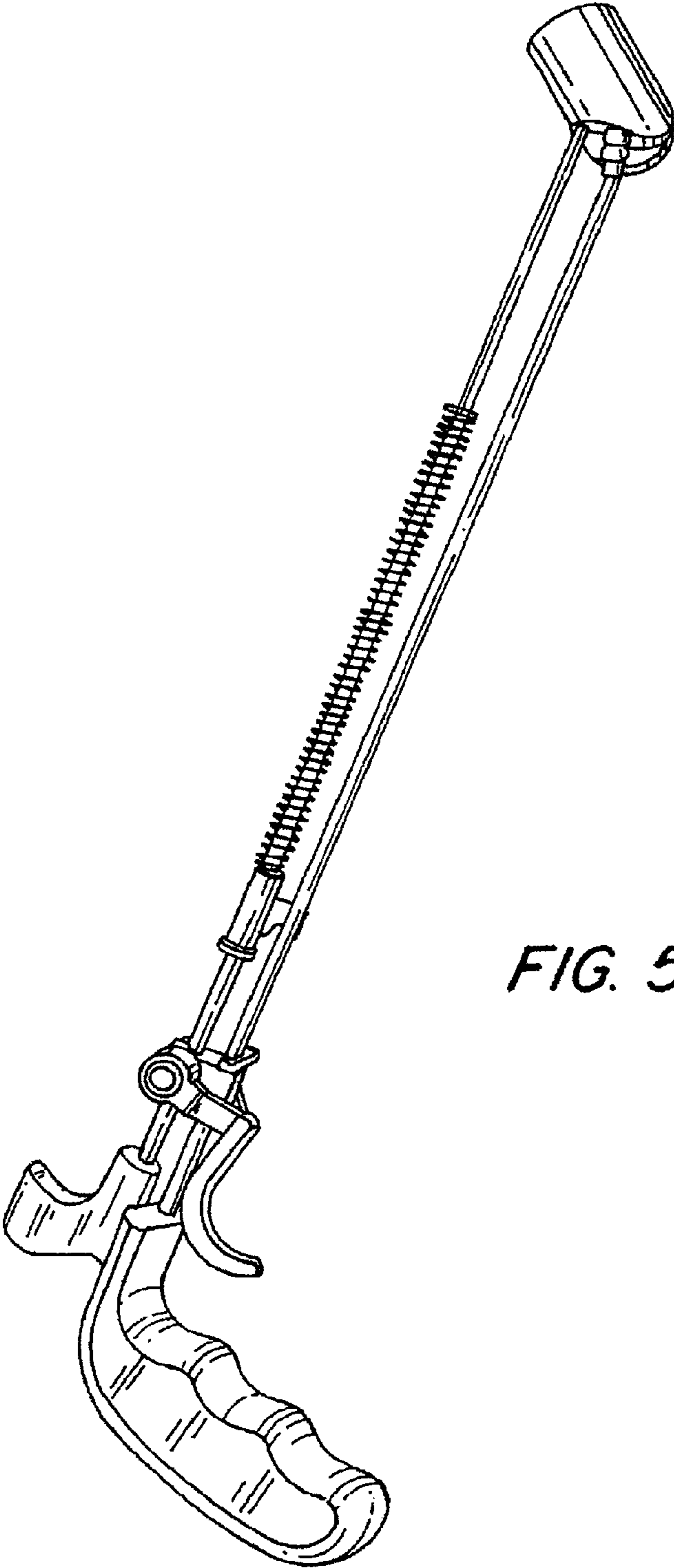


FIG. 5

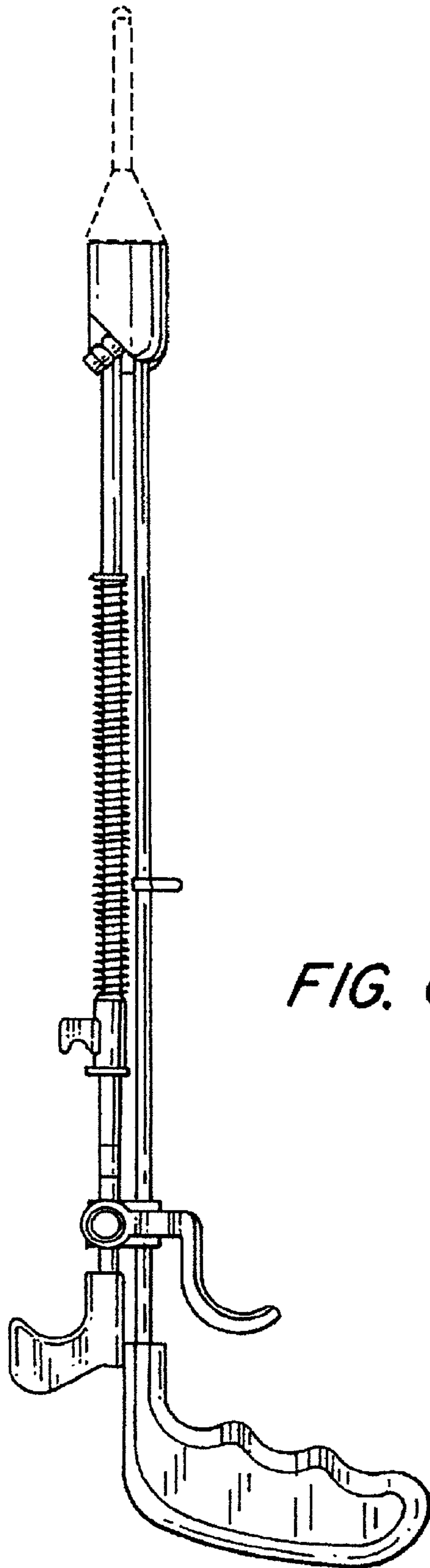


FIG. 6

UNITED STATES PATENT AND TRADEMARK OFFICE
Certificate

Patent No. D.536,446 S

Patented: February 6, 2007

On petition requesting issuance of a certificate for correction of inventorship pursuant to 35 U.S.C. 256, it has been found that the above identified patent, through error and without any deceptive intent, improperly sets forth the inventorship.

Accordingly, it is hereby certified that the correct inventorship of this patent is: Frank Doll, Talheim (DE); Martin Hahn, Boll (DE); Sascha Berberich, Tuttlingen (DE); and Hatern Tintara, Songkhla (TH).

Signed and Sealed this Fourteenth Day of June 2011.

PHILIP S. HYDER
Supervisory Patent Examiner
Art Unit 2917
Technology Center 2900