



US00D536443S

(12) **United States Design Patent**
Latsos

(10) **Patent No.:** **US D536,443 S**

(45) **Date of Patent:** **** Feb. 6, 2007**

(54) **CHECK VALVE FOR OXYGEN SERVICE**

(76) **Inventor:** **Thomas Latsos**, 150 S. Van Brunt St.,
Englewood, NJ (US) 07631

(**) **Term:** **14 Years**

(21) **Appl. No.:** **29/225,388**

(22) **Filed:** **Mar. 16, 2005**

(51) **LOC (8) Cl.** **29-02**

(52) **U.S. Cl.** **D24/110.6; D24/129; D23/235**

(58) **Field of Classification Search** **D24/110,**
D24/110.6, 129, 164; D23/235, 233, 237;
128/205.24, 203.11, 205.11, 207.16, 204.25,
128/206.15

See application file for complete search history.

(56) **References Cited**

U.S. PATENT DOCUMENTS

D496,091 S * 9/2004 Katzman et al. D23/235

* cited by examiner

Primary Examiner—Antoine D. Davis

Assistant Examiner—Christopher Lee

(74) *Attorney, Agent, or Firm*—Myron Amer, PC

(57) **CLAIM**

The ornamental design for a check valve for oxygen service,
as shown and described.

DESCRIPTION

FIG. 1 is a perspective view of a check valve for oxygen
service;

FIG. 2 is front elevational view thereof;

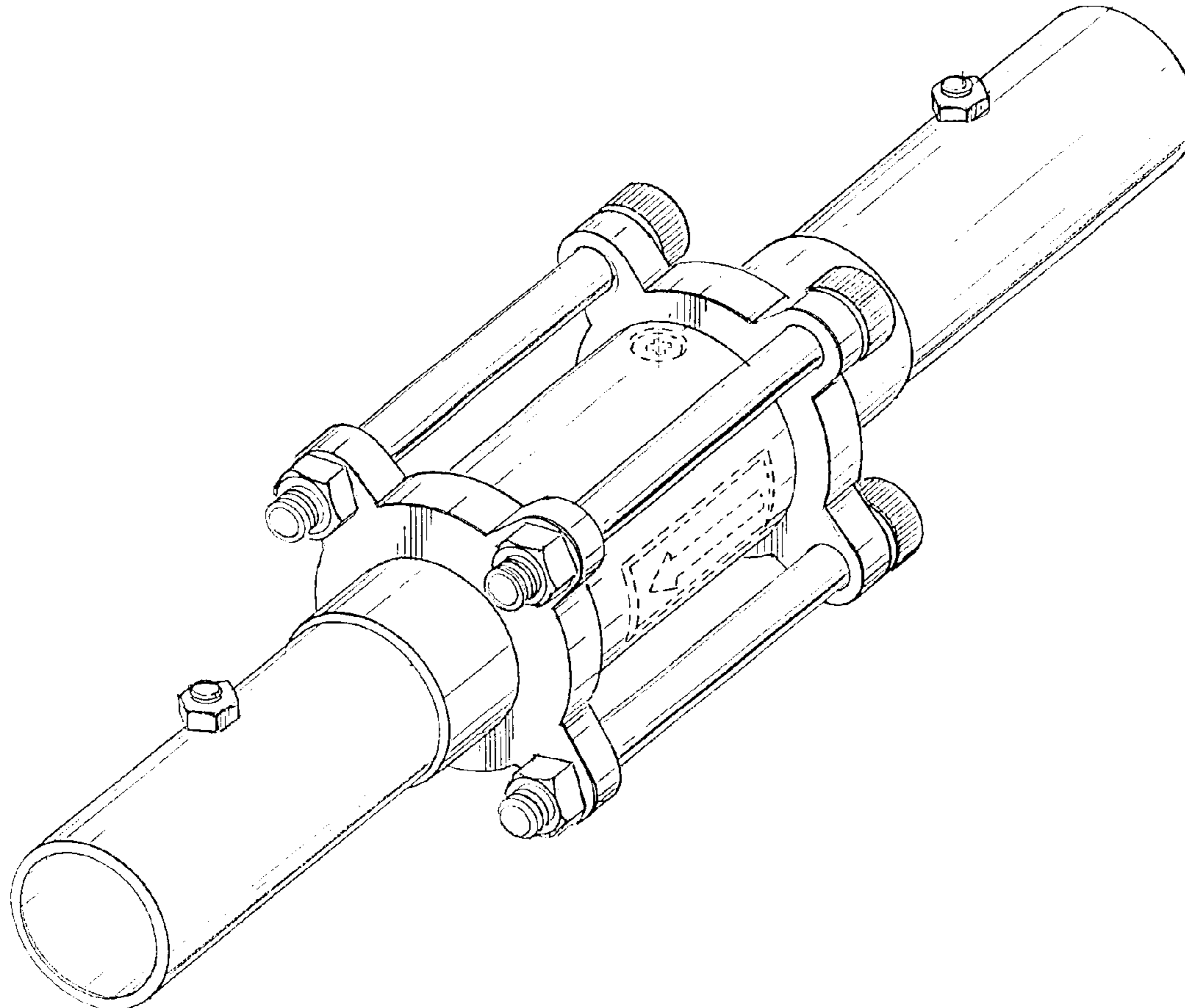
FIG. 3 is a rear elevational view thereof;

FIG. 4 is a top view thereof, of which a bottom view is a
mirror image; and,

FIG. 5 is a right side view, of which a left side view is a
mirror image.

The broken line showing is for illustrative purposes only and
forms no part of the claimed design.

1 Claim, 2 Drawing Sheets



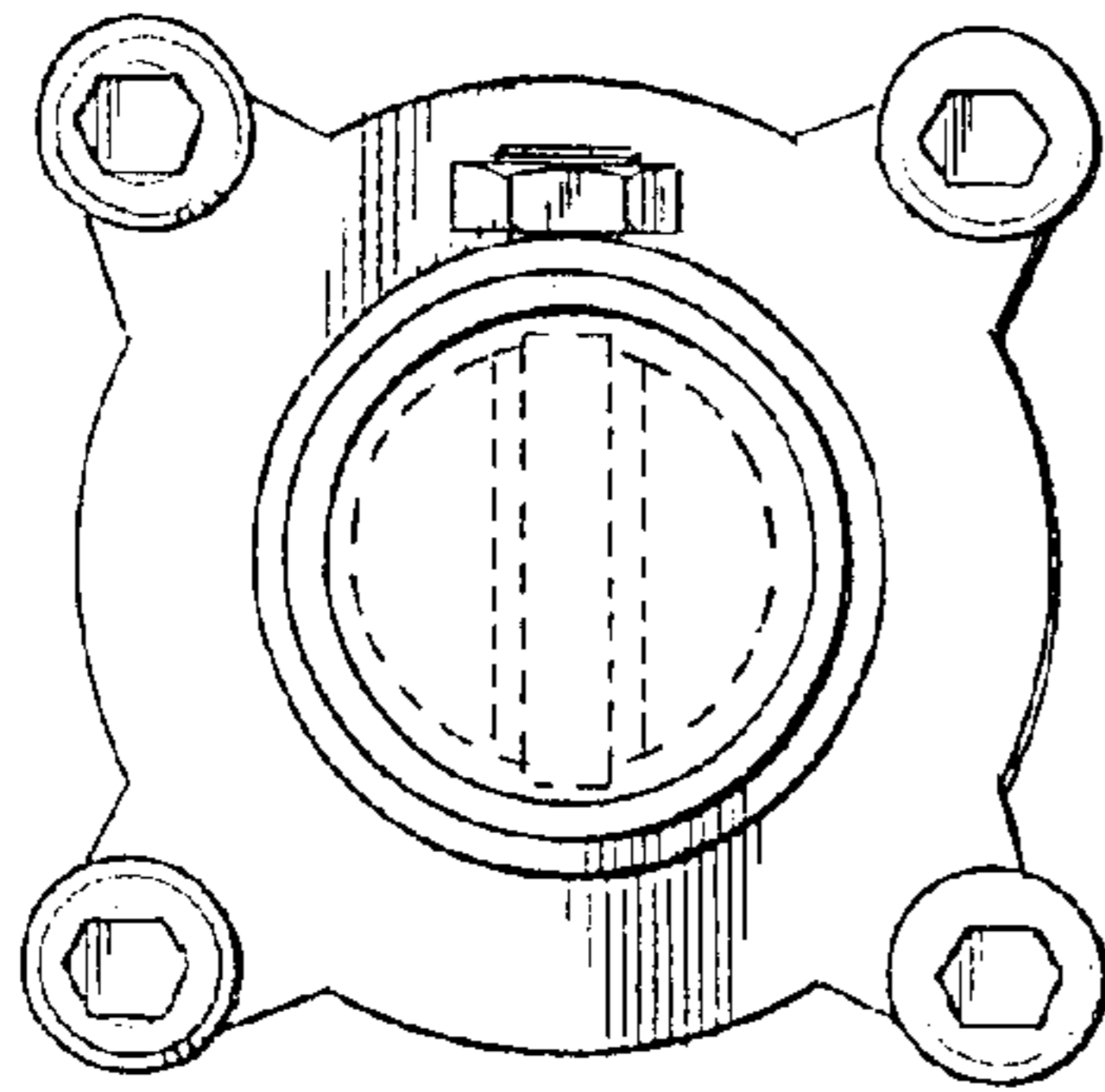


FIG. 2

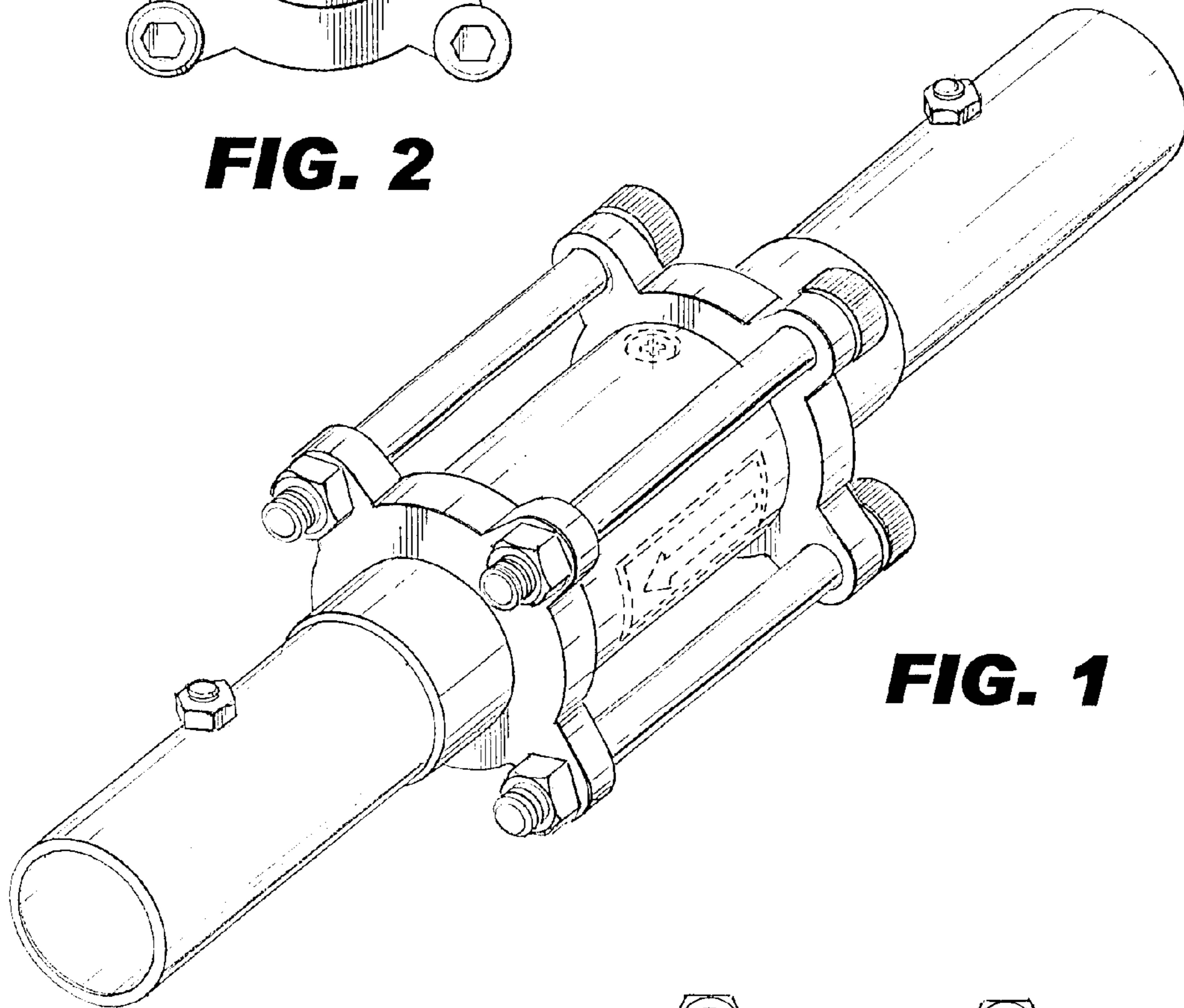


FIG. 1

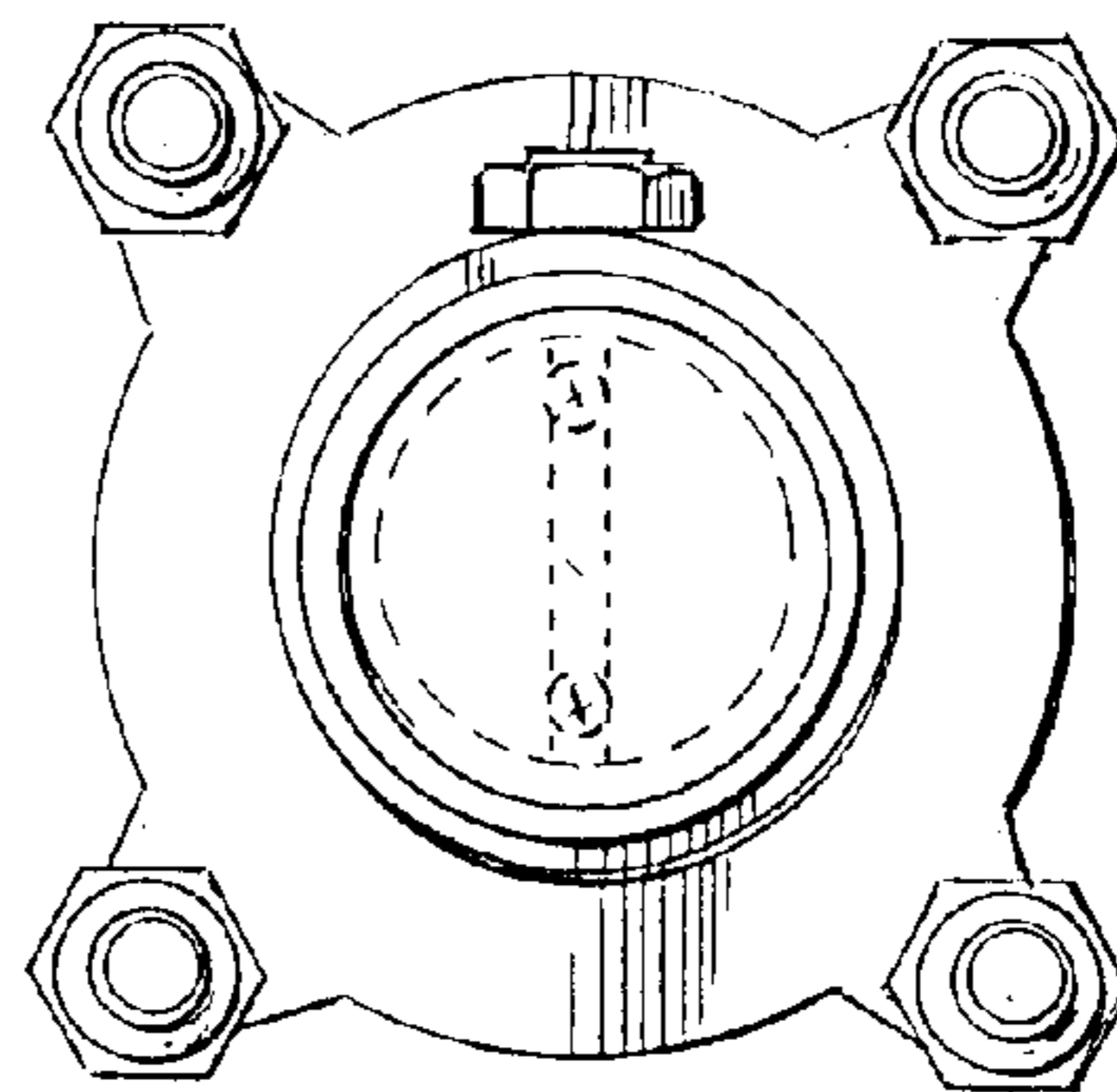


FIG. 3

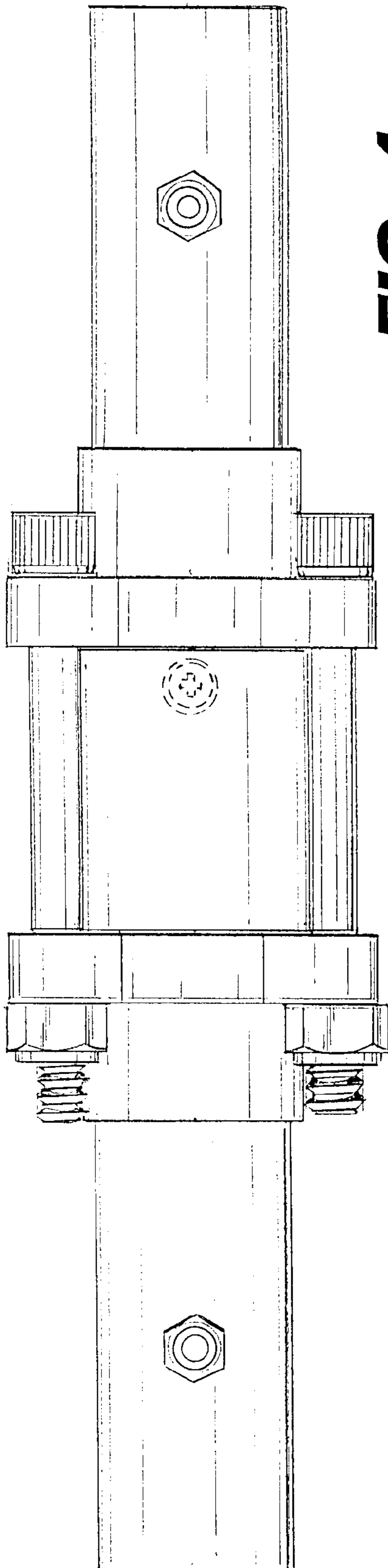


FIG. 4

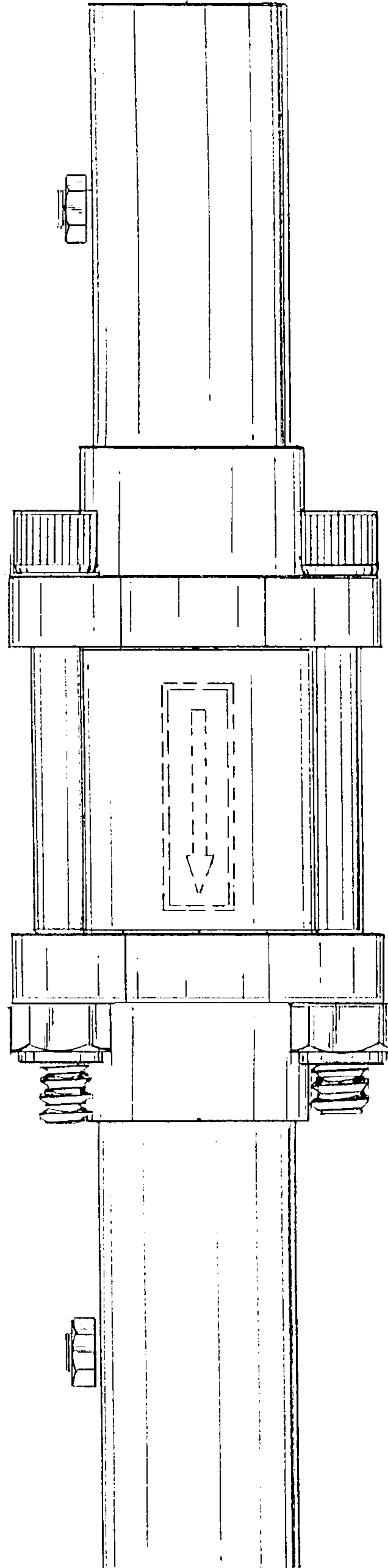


FIG. 5