



US00D536441S

(12) **United States Design Patent**
Garren et al.

(10) **Patent No.:** **US D536,441 S**

(45) **Date of Patent:** **** Feb. 6, 2007**

(54) **ENDOSCOPIC BITE BLOCK**

(76) Inventors: **Mary L. Garren**, 5439 Quail Way,
Carmel, CA (US) 93923; **Lloyd R. Garren**, 5439 Quail Way, Carmel, CA
(US) 93923; **Silas Lum**, 737 Casannua
Ave., Monterey, CA (US) 93940

5,009,227 A	4/1991	Nieuwstad	
D329,901 S	9/1992	Jackson	
5,174,284 A	12/1992	Jackson	
5,305,742 A	4/1994	Styers et al.	
D348,932 S	7/1994	Jackson	
5,413,095 A	5/1995	Weaver	
D399,950 S	* 10/1998	Shepard	D24/110.5
6,257,238 B1	7/2001	Meah	

(**) **Term:** **14 Years**

* cited by examiner

(21) **Appl. No.:** **29/243,258**

Primary Examiner—Antoine D. Davis

Assistant Examiner—Christopher Lee

(22) **Filed:** **Nov. 22, 2005**

(74) *Attorney, Agent, or Firm*—Connolly Bove Lodge & Hutz LLP

(51) **LOC (8) Cl.** **29-02**

(52) **U.S. Cl.** **D24/110; D24/110.5; D24/164;**
D24/176; D24/191

(57) **CLAIM**

(58) **Field of Classification Search** **D24/110,**
D24/110.5, 110.6, 164, 176, 191; 600/114;
128/848, 859, 207.14, 207.15, DIG. 26

The ornamental design for an endoscopic bite block, as shown and described.

See application file for complete search history.

DESCRIPTION

(56) **References Cited**

FIG. 1 is a perspective view of an endoscopic bite block showing our new design;
FIG. 2 is a rear elevational view thereof;
FIG. 3 is a right side elevational view thereof;
FIG. 4 is a left side elevational view thereof;
FIG. 5 is a front elevational view thereof; and,
FIG. 6 is a top plan view thereof, the bottom plan view being identical.

U.S. PATENT DOCUMENTS

4,270,529 A	6/1981	Muto
4,351,331 A	9/1982	Gereg
4,425,911 A	1/1984	Luomanen
4,495,945 A	1/1985	Liegner
D283,158 S	3/1986	Jackson
4,640,273 A	2/1987	Greene et al.

1 Claim, 1 Drawing Sheet

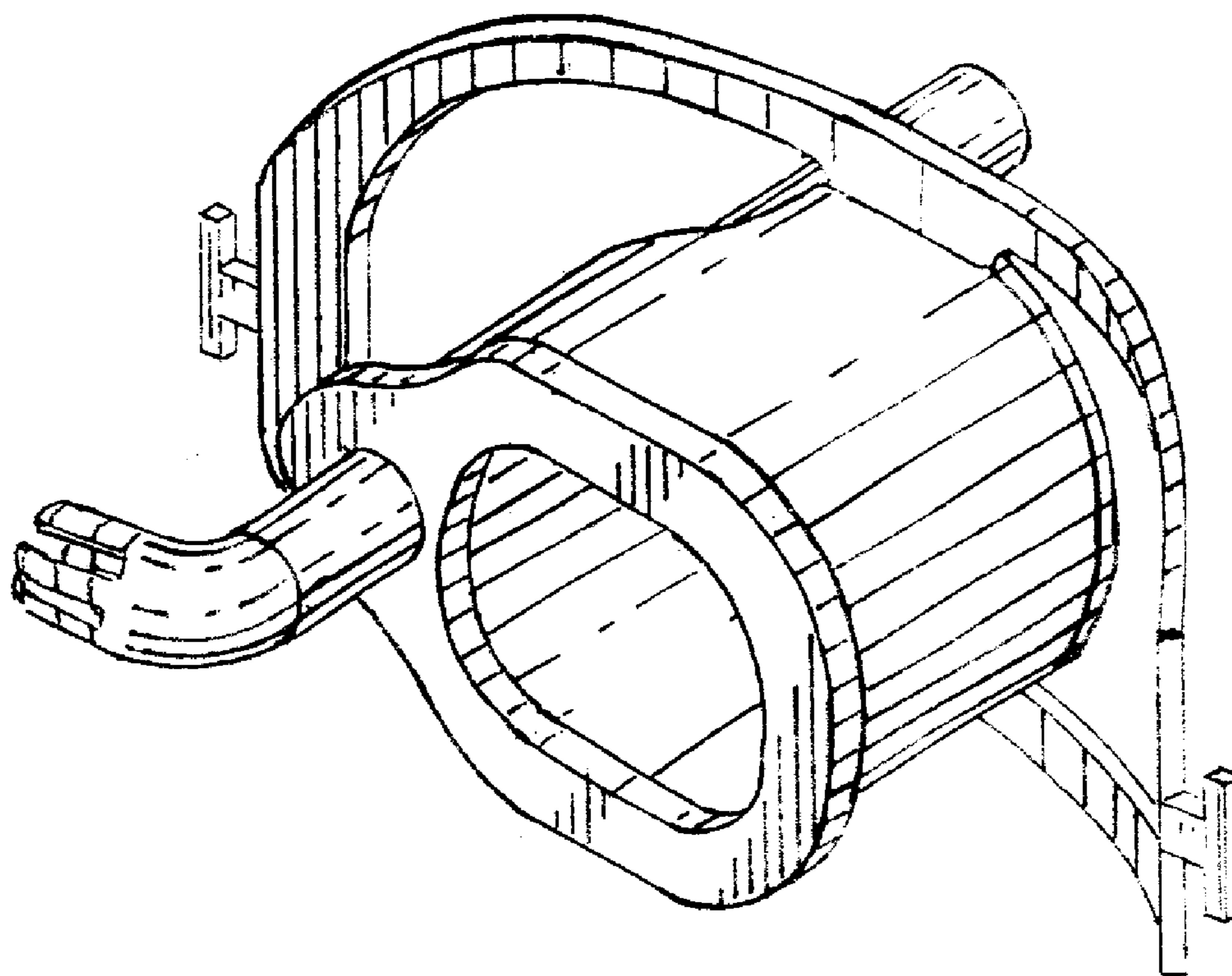


Fig. 1.

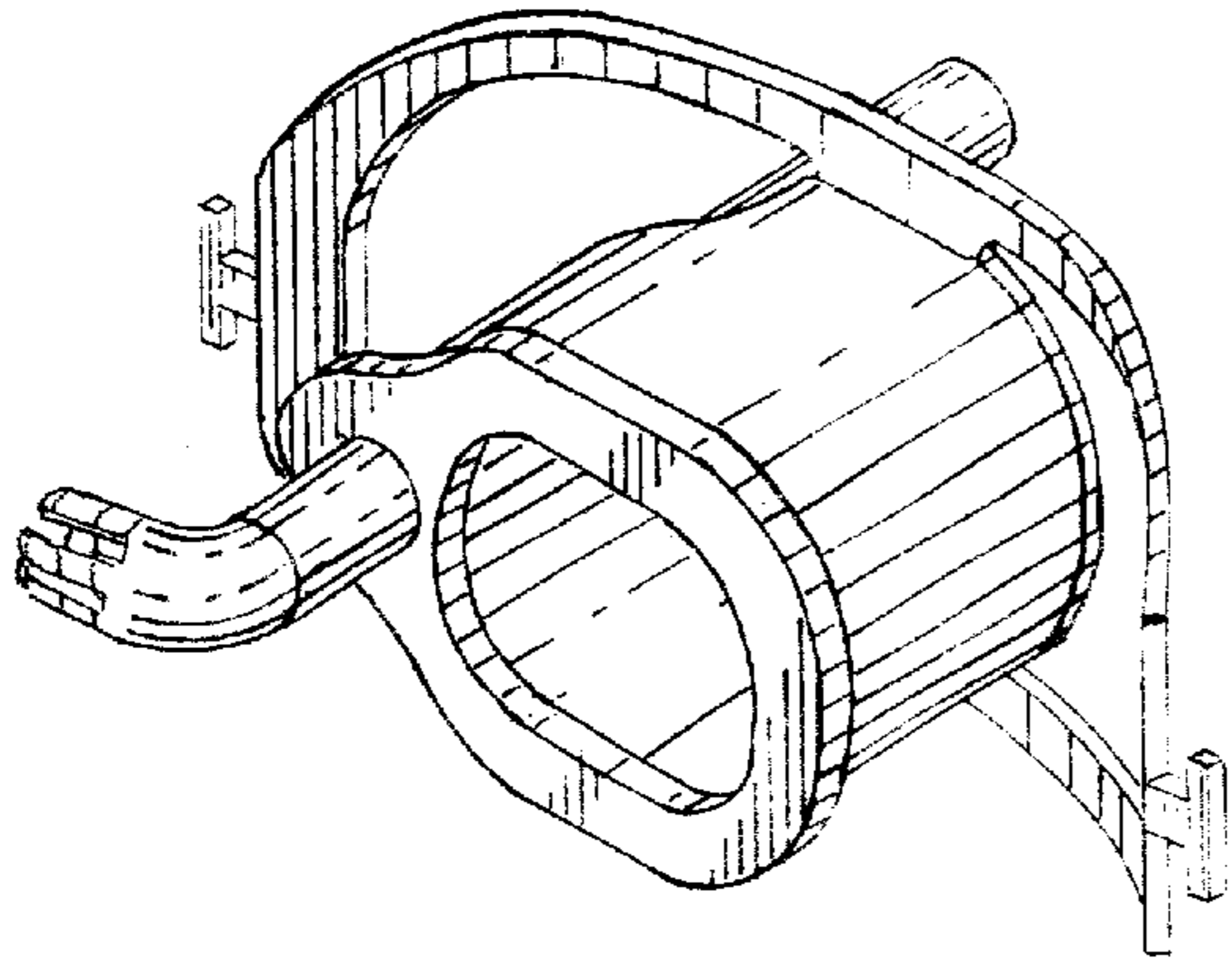


Fig. 6.

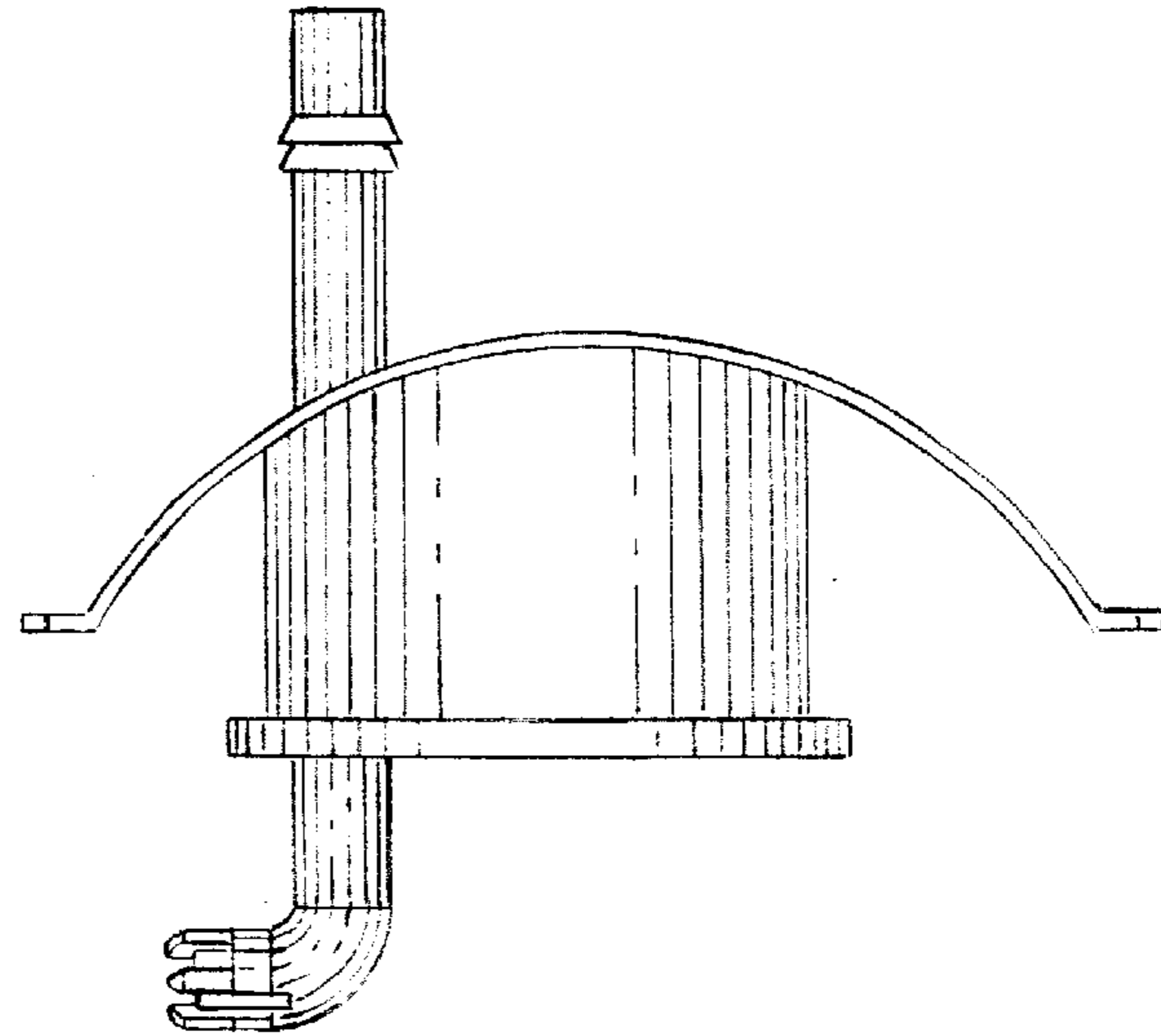


Fig. 3.

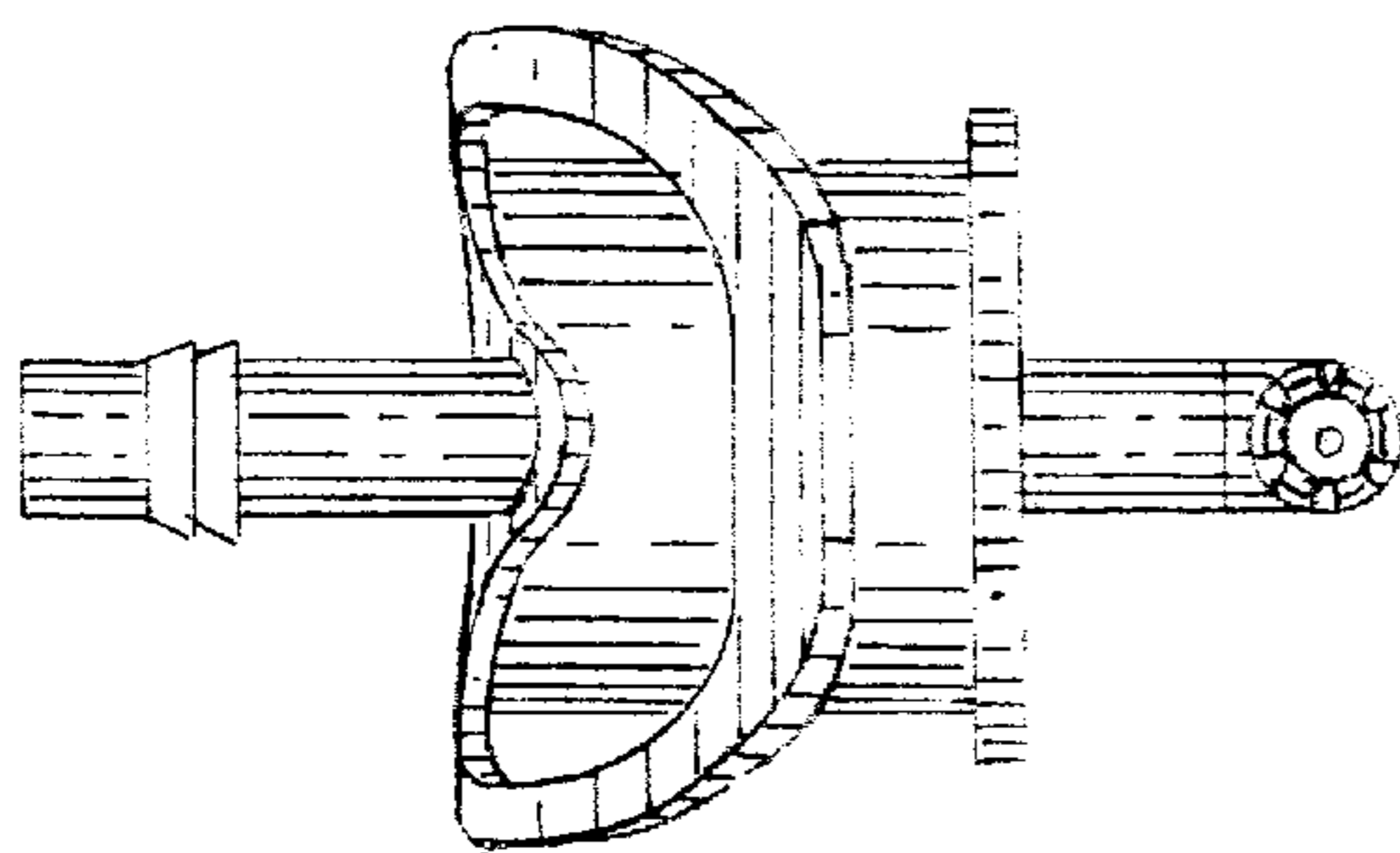


Fig. 2.

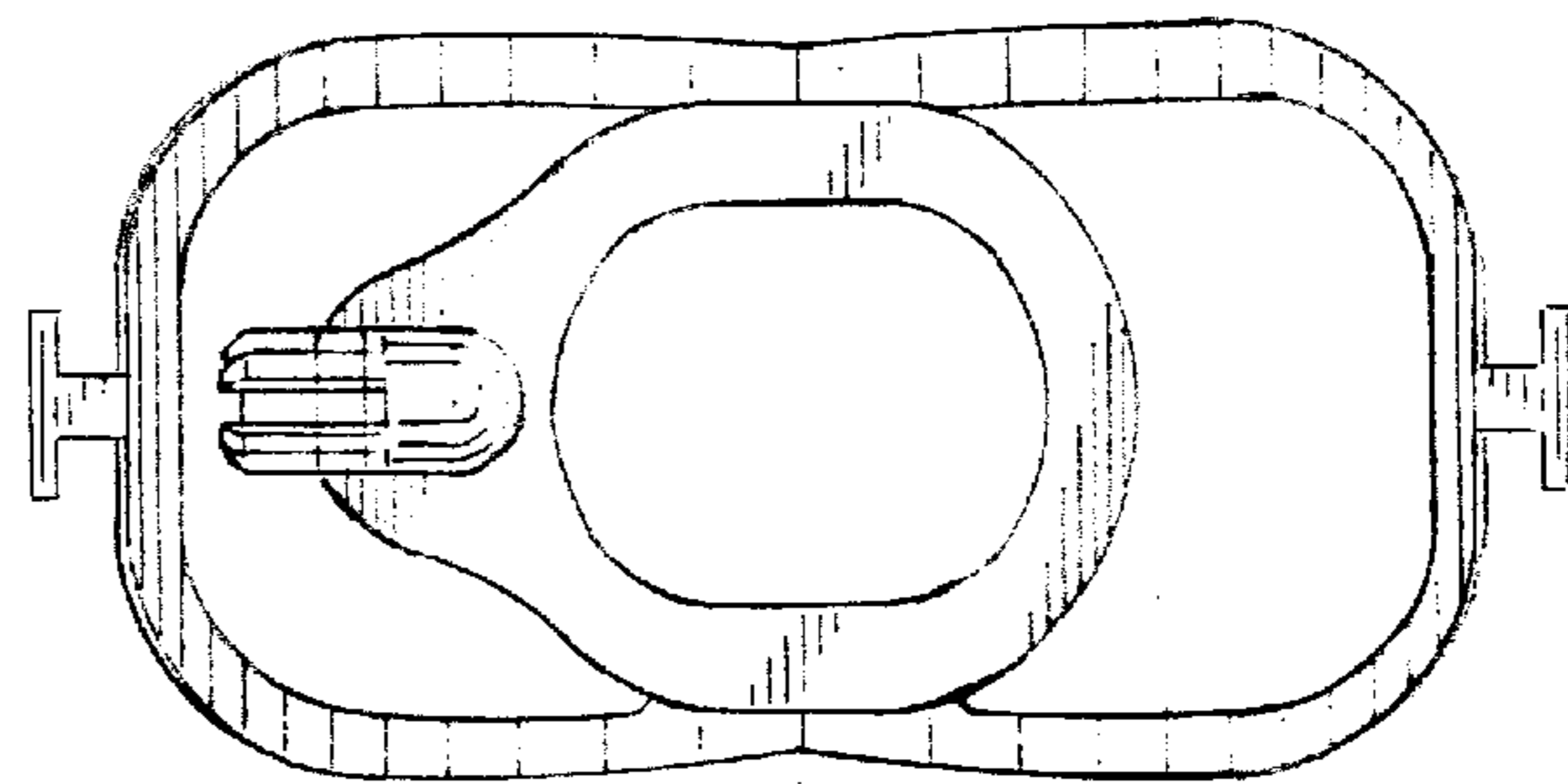


Fig. 5.

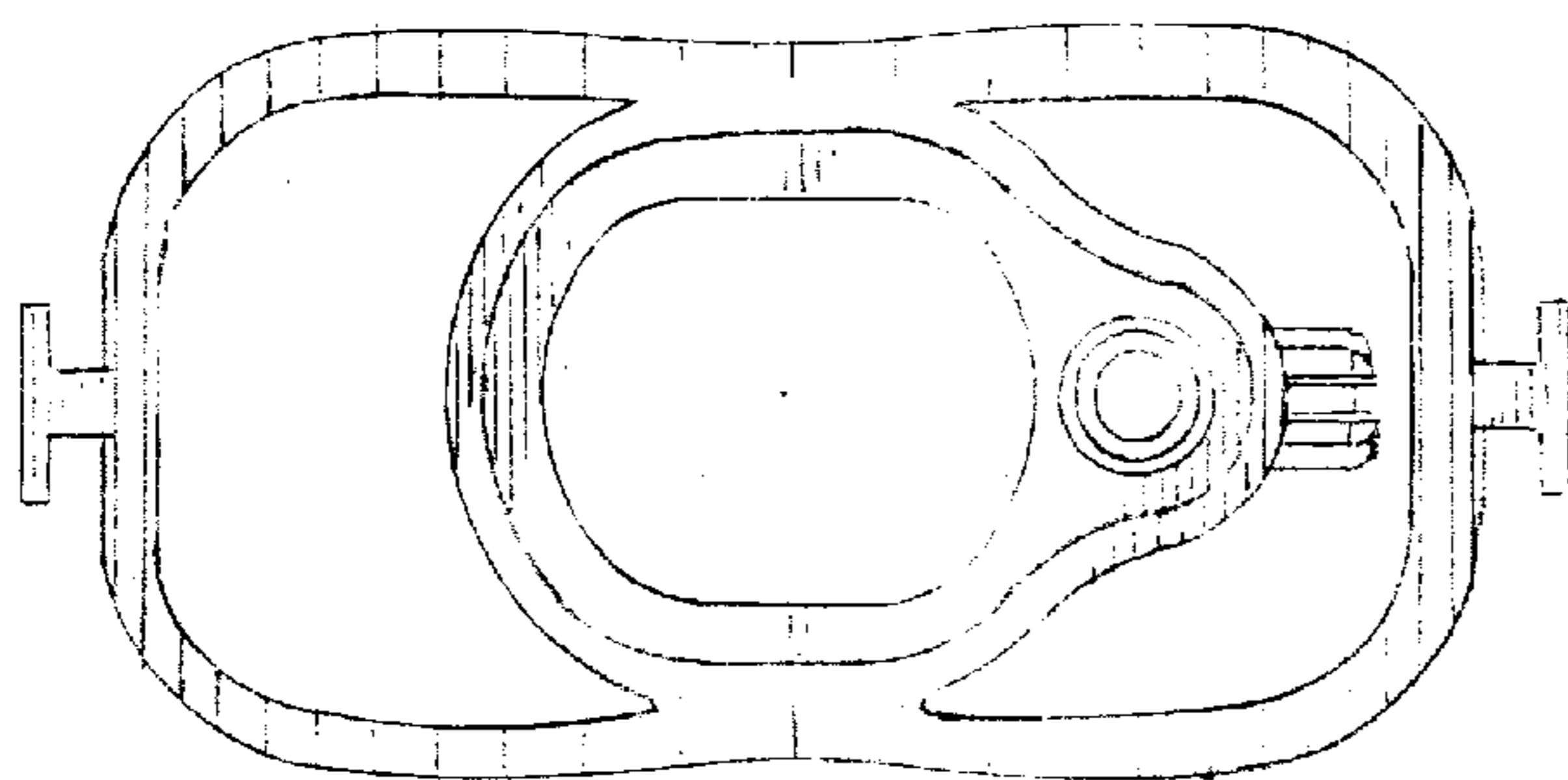


Fig. 4.

