



US00D536439S

(12) **United States Design Patent** (10) **Patent No.:** **US D536,439 S**  
**Pickett** (45) **Date of Patent:** **\*\* Feb. 6, 2007**

(54) **COMBINED CEILING FAN HOUSING AND LIGHT KIT**

*Primary Examiner—Lisa Lichtenstein*  
(74) *Attorney, Agent, or Firm—Parsons & Goltry; Michael W. Goltry; Robert A. Parsons*

(76) Inventor: **Mark Pickett**, 1419 E. Palm St., Altadena, CA (US) 91001

(\*\*) Term: **14 Years**

(57) **CLAIM**

The ornamental design for a combined ceiling fan housing and light kit, as shown and described.

(21) Appl. No.: **29/245,927**

(22) Filed: **Dec. 30, 2005**

**DESCRIPTION**

(51) **LOC (8) Cl.** ..... **23-04**

(52) **U.S. Cl.** ..... **D23/411**

(58) **Field of Classification Search** ..... D23/411,  
D23/413, 377, 379, 385; 416/5; D26/59,  
D26/51, 72, 80–86, 73

See application file for complete search history.

FIG. 1 is a top perspective view of a combined ceiling fan housing and light kit showing my new design;  
FIG. 2 is a bottom perspective view thereof;  
FIG. 3 is a top plan view thereof;  
FIG. 4 is a bottom plan view thereof;  
FIG. 5 is front elevational view thereof, the opposing rear elevational view being substantially the same thereof; and,  
FIG. 6 is a left side elevational view thereof, the opposing right side elevational view being substantially the same thereof.

The broken lines in the views show environmental features, which are for illustrative purposes only and form no part of the claimed design.

(56) **References Cited**

**U.S. PATENT DOCUMENTS**

5,292,228	A	*	3/1994	Dye	.....	416/5
D377,975	S	*	2/1997	Young	.....	D23/377
D389,598	S	*	1/1998	Littman et al.	.....	D26/84
D475,776	S	*	6/2003	Gajewski	.....	D23/377
D524,434	S	*	7/2006	Hidalgo	.....	D23/377

\* cited by examiner

**1 Claim, 6 Drawing Sheets**

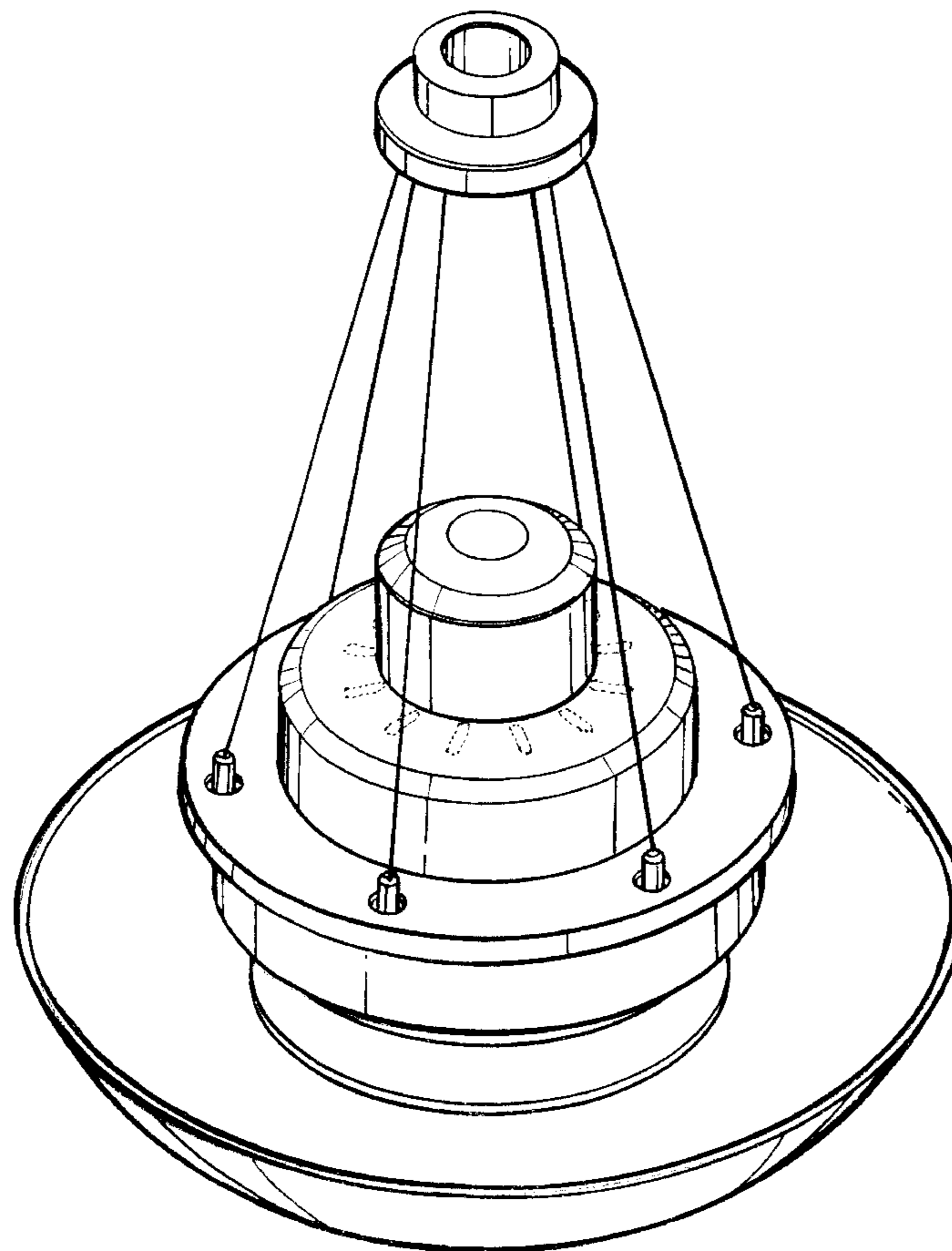
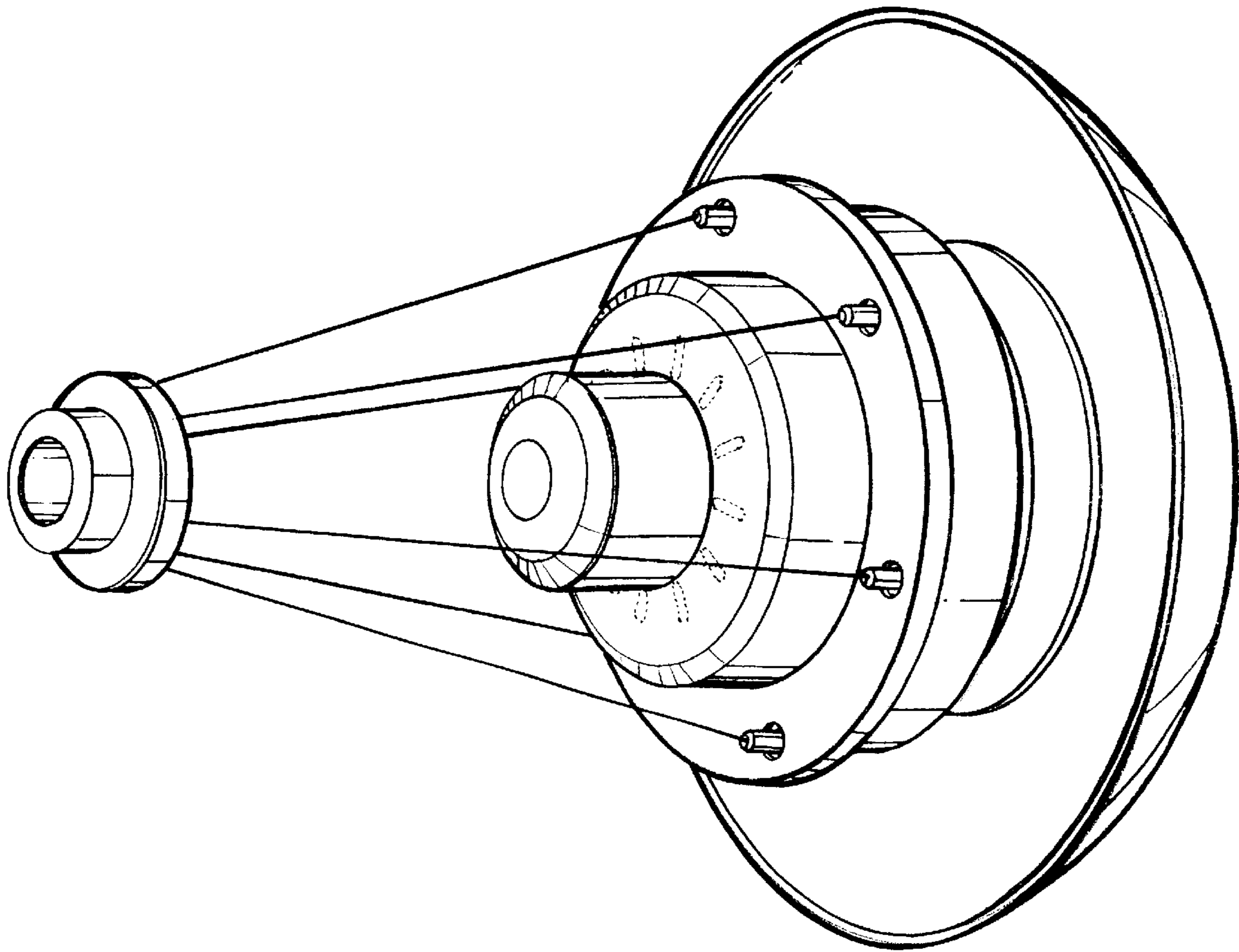


FIGURE 1



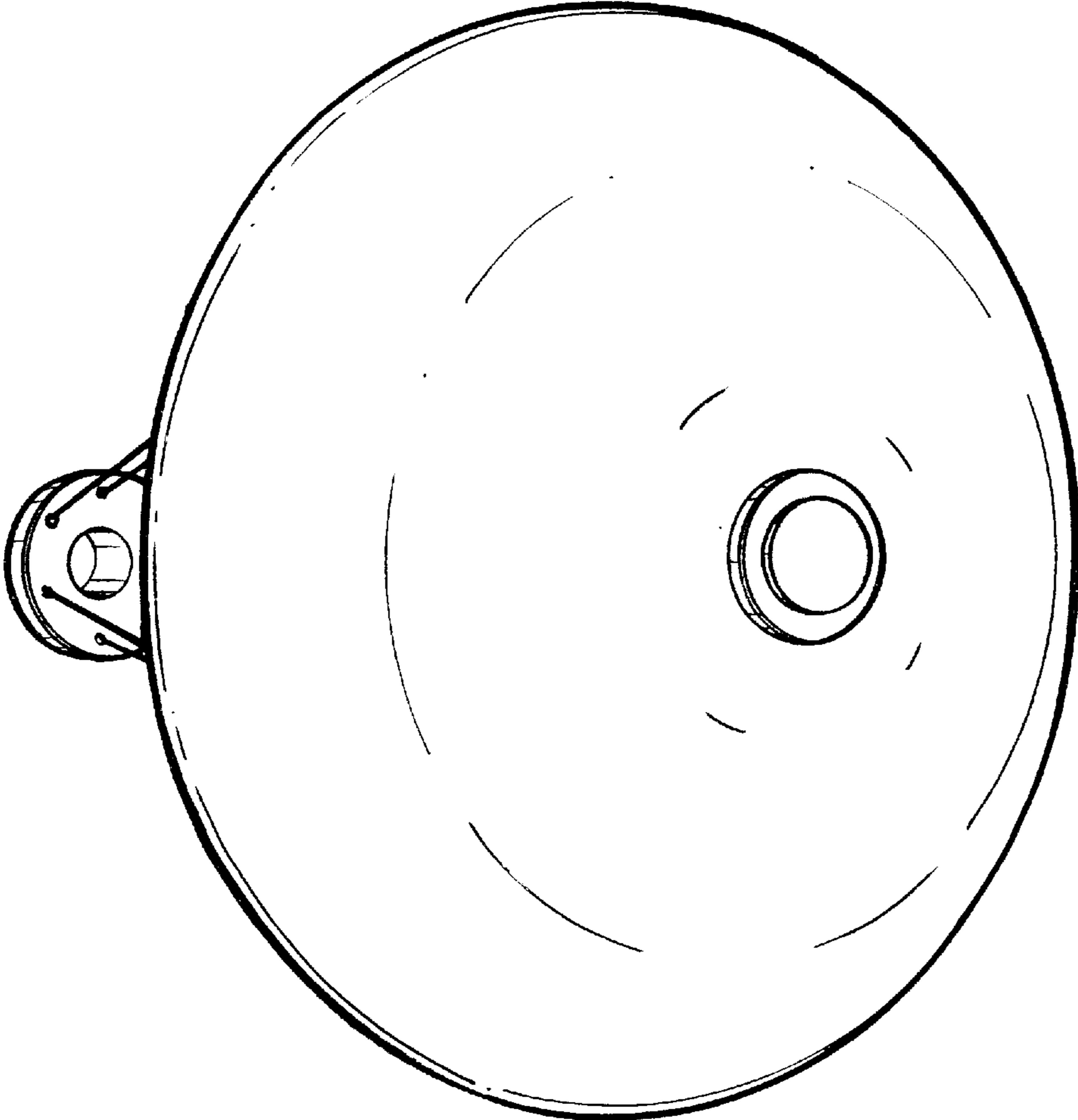
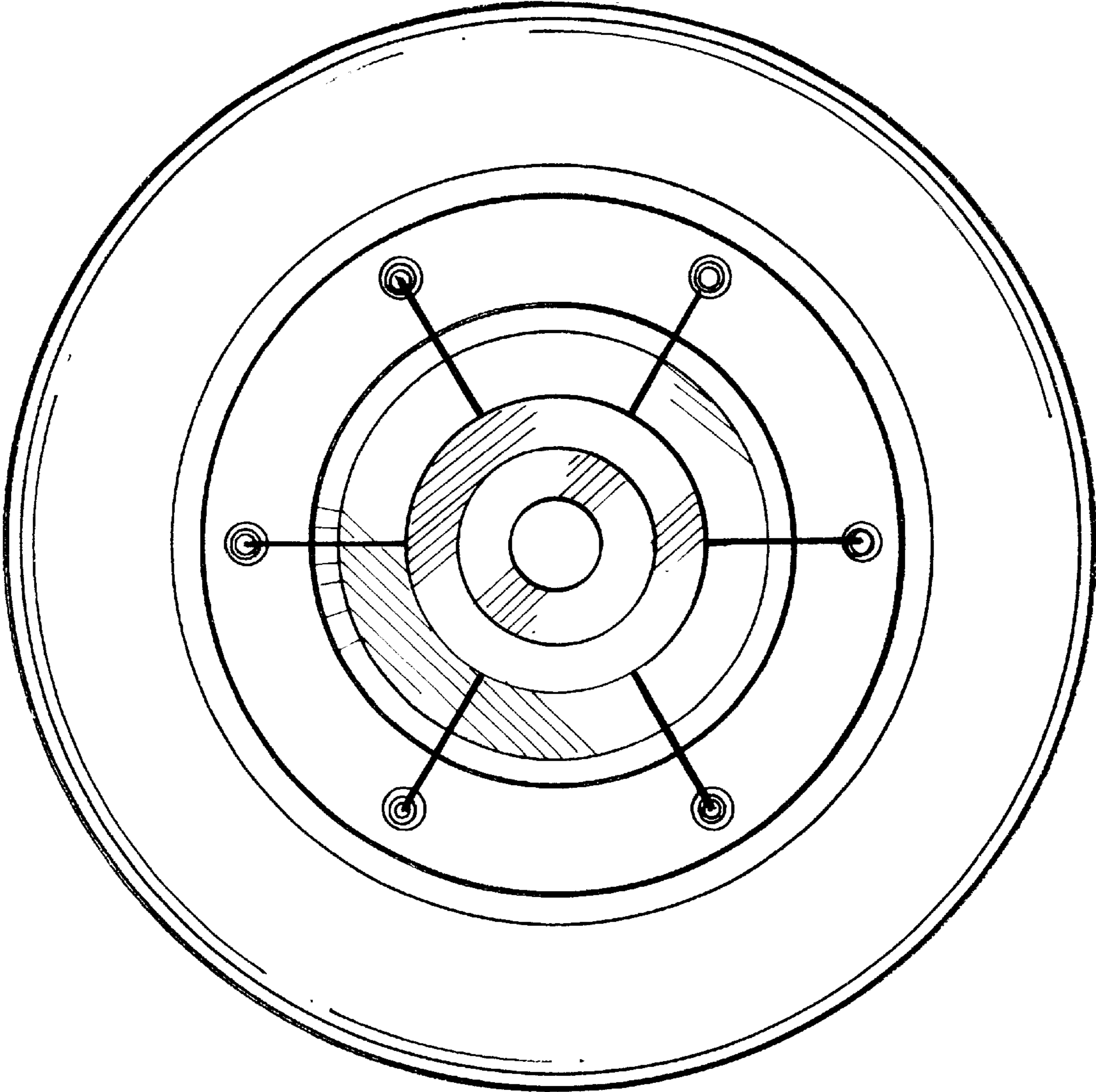


FIGURE 2

FIGURE 3



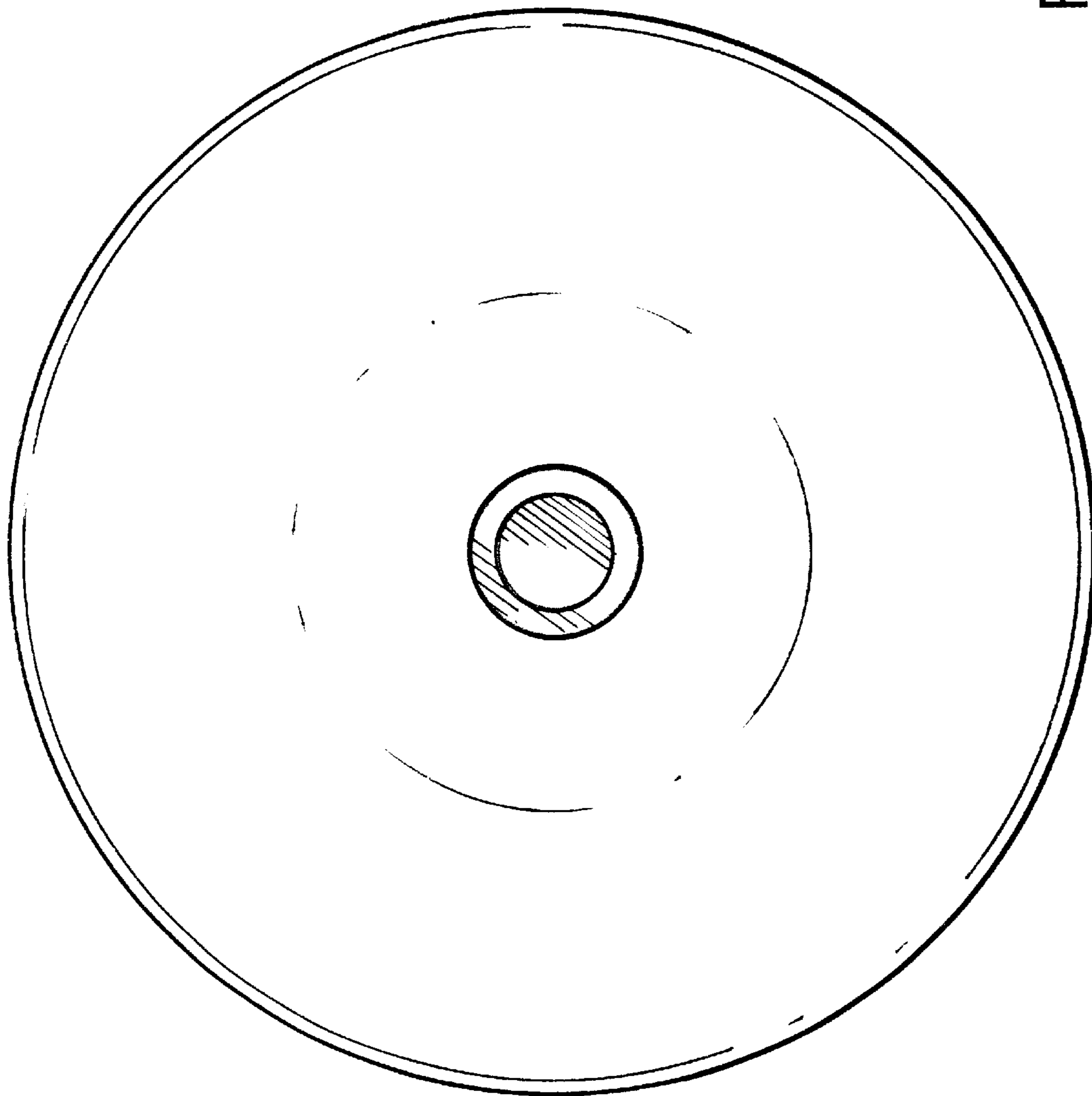


FIGURE 4

FIGURE 5

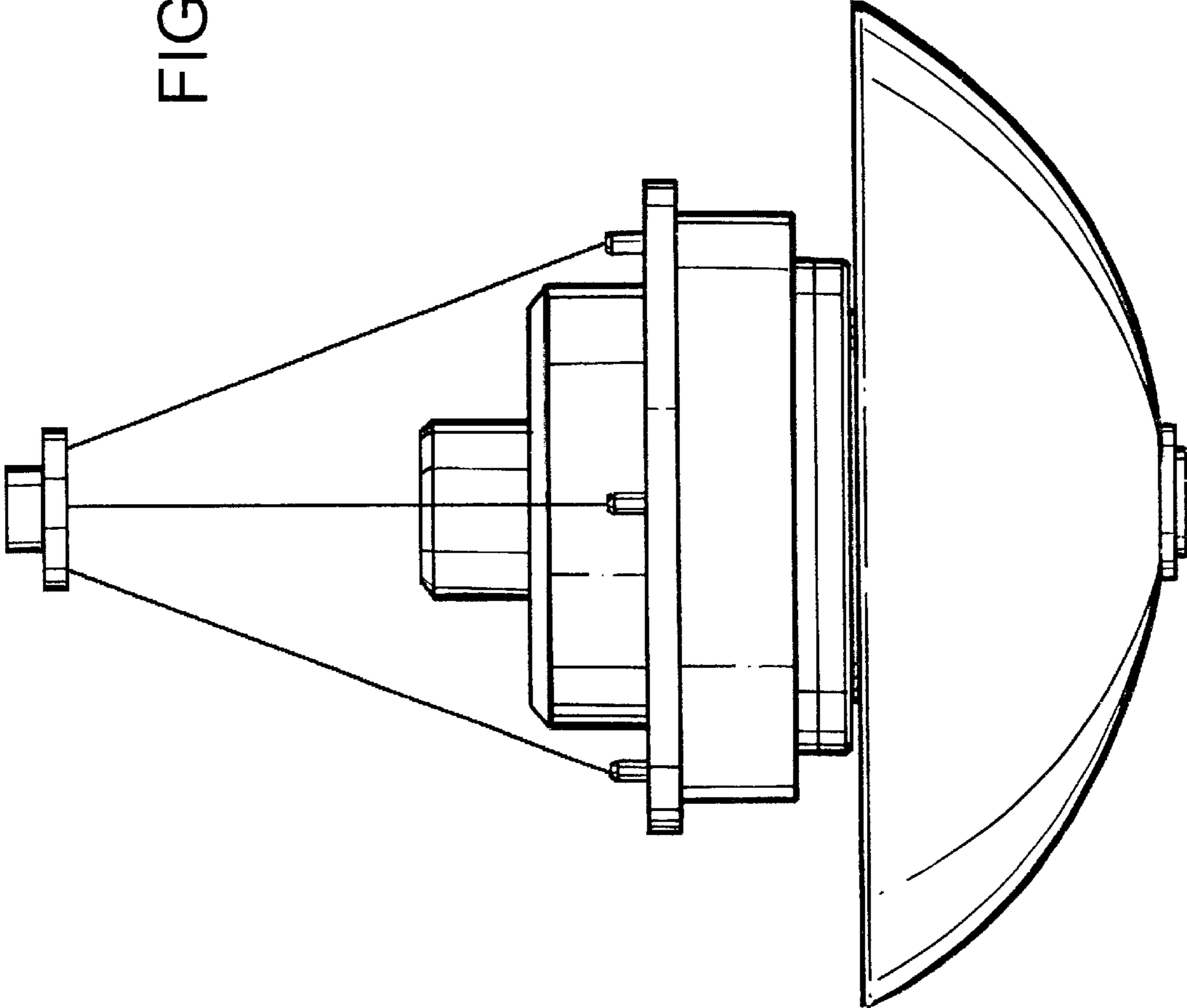


FIGURE 6

