



US00D536436S

(12) **United States Design Patent**
Nishizawa

(10) **Patent No.:** **US D536,436 S**

(45) **Date of Patent:** **** Feb. 6, 2007**

(54) **AIR FLOW CONTROLLER FOR AN AIR VENT**

6,520,212 B1 * 2/2003 Blivet 138/96 R
6,527,301 B1 * 3/2003 Bathey 138/96 R
6,887,147 B2 * 5/2005 Thomassin et al. 454/71

(75) Inventor: **Keisuke Nishizawa**, Nerima-ku (JP)

* cited by examiner

(73) Assignee: **Seiho International, Inc.**, Pasadena, CA (US)

Primary Examiner—Louis Zarfaz

Assistant Examiner—David Muller

(**) Term: **14 Years**

(74) *Attorney, Agent, or Firm*—Koda & Androlia

(21) Appl. No.: **29/233,695**

(57) **CLAIM**

(22) Filed: **Jul. 7, 2005**

The ornamental design for an air flow controller for an air vent, as shown and described.

(30) **Foreign Application Priority Data**

DESCRIPTION

Jan. 11, 2005 (JP) 2005-3139

(51) **LOC (8) Cl.** **23-04**

(52) **U.S. Cl.** **D23/393**

(58) **Field of Classification Search** 454/290,
454/316, 322, 324, 71, 219, 286, 154; D12/345;
D23/393, 390, 387, 388; 99/354, 605, 442;
138/96 R, 163, 109; 215/40, 293, 43; 285/43;
220/203.11

See application file for complete search history.

FIG. 1 is a front elevational view of the air flow controller for an air vent showing my new design;

FIG. 2 is a rear elevational view thereof;

FIG. 3 is a top plan view thereof, the bottom plan view being a mirror image of the top plan view;

FIG. 4 is a right side elevational view thereof, the left side elevational view being a mirror image of the right side elevational view;

FIG. 5 is a perspective view of the air flow controller for an air vent taken from the top, front and right side thereof;

FIG. 6 is a perspective view of the air flow controller for an air vent taken from the top, rear and left side thereof;

FIG. 7 is perspective view of the air flow controller attached to an air vent which is shown by dotted lines for illustrative purposes only and thus forms no part of the claimed design, the perspective view being taken from the top, front and right side of the attached air flow controller;

FIG. 8 is a cross sectional view taken along the lines 8—8 in FIG. 1; and,

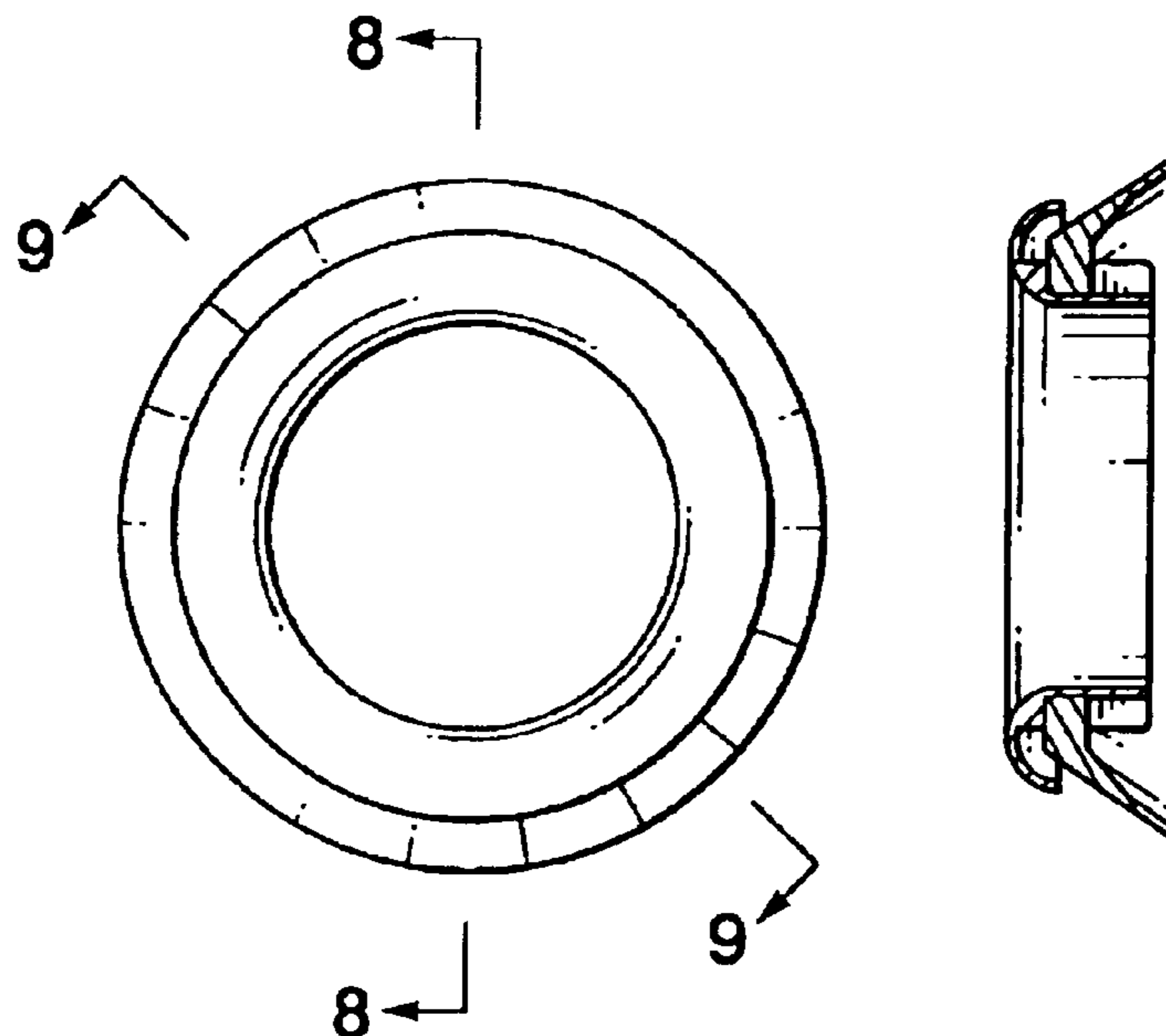
FIG. 9 is a cross sectional view taken along the lines 9—9 in FIG. 1.

(56) **References Cited**

U.S. PATENT DOCUMENTS

2,462,989	A	*	3/1949	Mufich et al.	454/286
3,238,861	A	*	3/1966	Fromme	454/154
3,285,452	A	*	11/1966	Moloney et al.	215/293
3,366,363	A	*	1/1968	Hogan et al.	454/286
3,496,964	A	*	2/1970	Hucks et al.	138/109
3,765,317	A	*	10/1973	Lowe	454/286
4,372,585	A	*	2/1983	Evora	285/43
5,399,119	A	*	3/1995	Birk et al.	454/286
5,613,615	A	*	3/1997	Zeyfang et al.	220/203.11
D455,390	S	*	4/2002	Granzeier et al.	D12/345

1 Claim, 5 Drawing Sheets



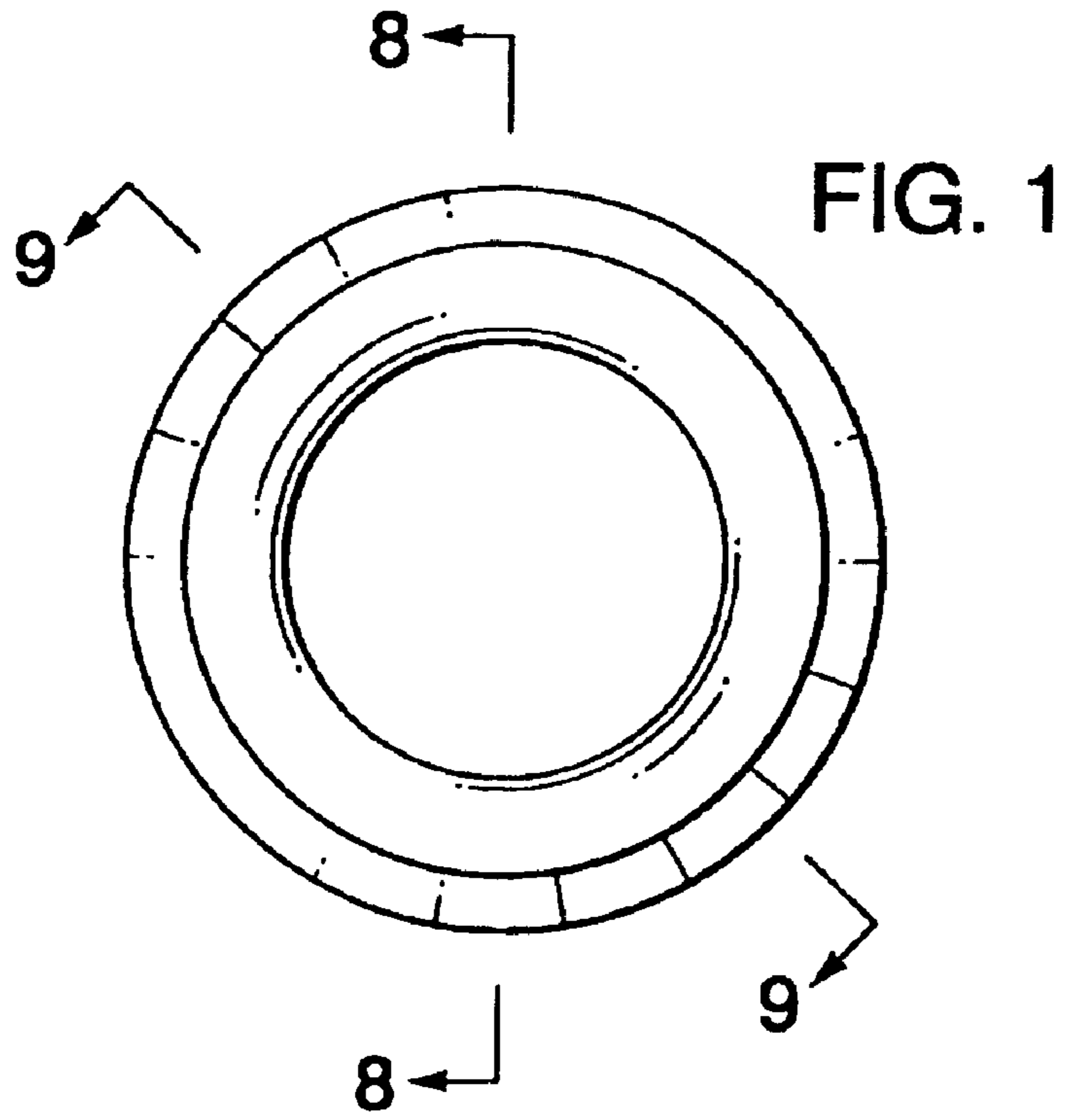


FIG. 2

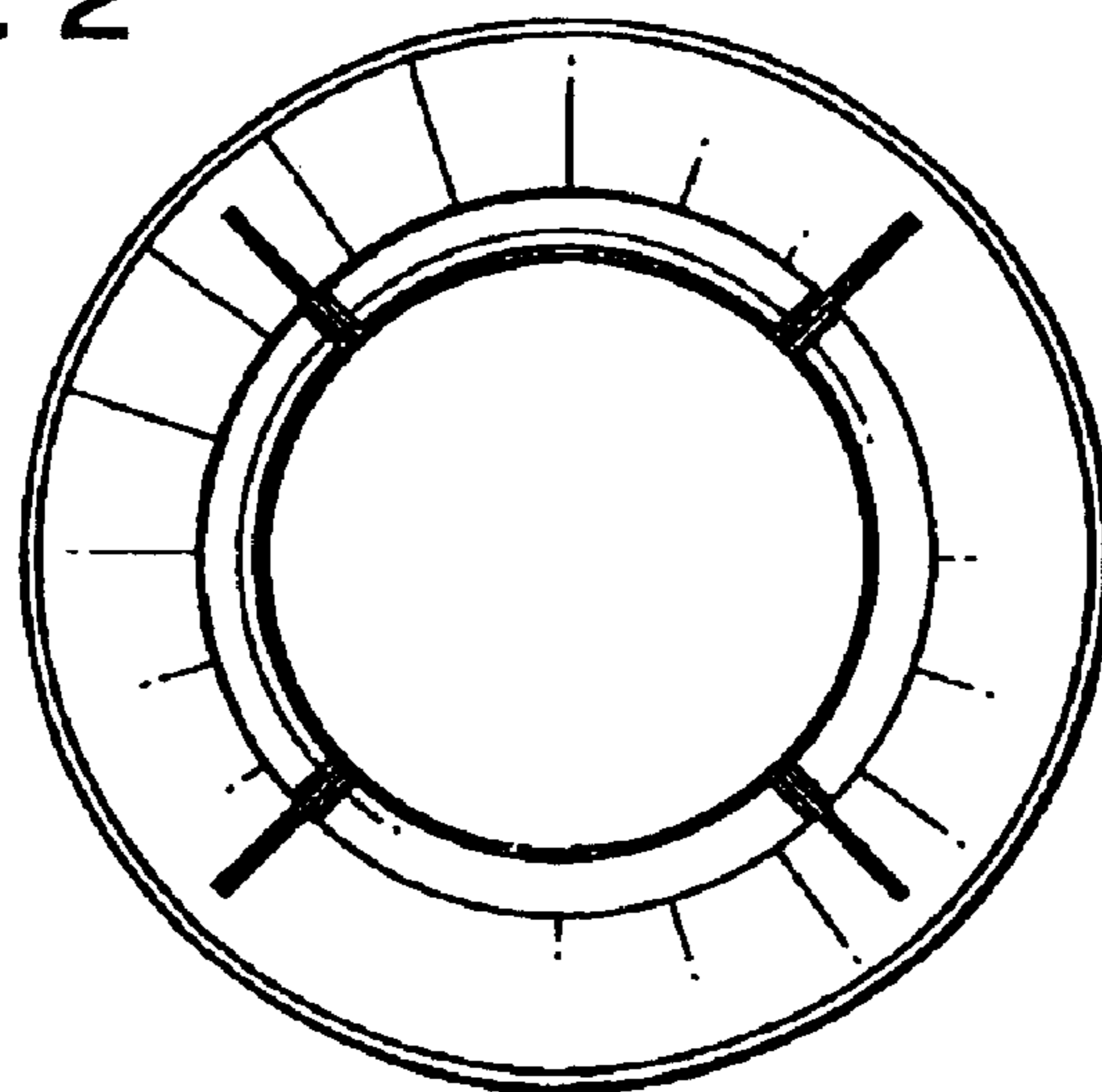


FIG. 3

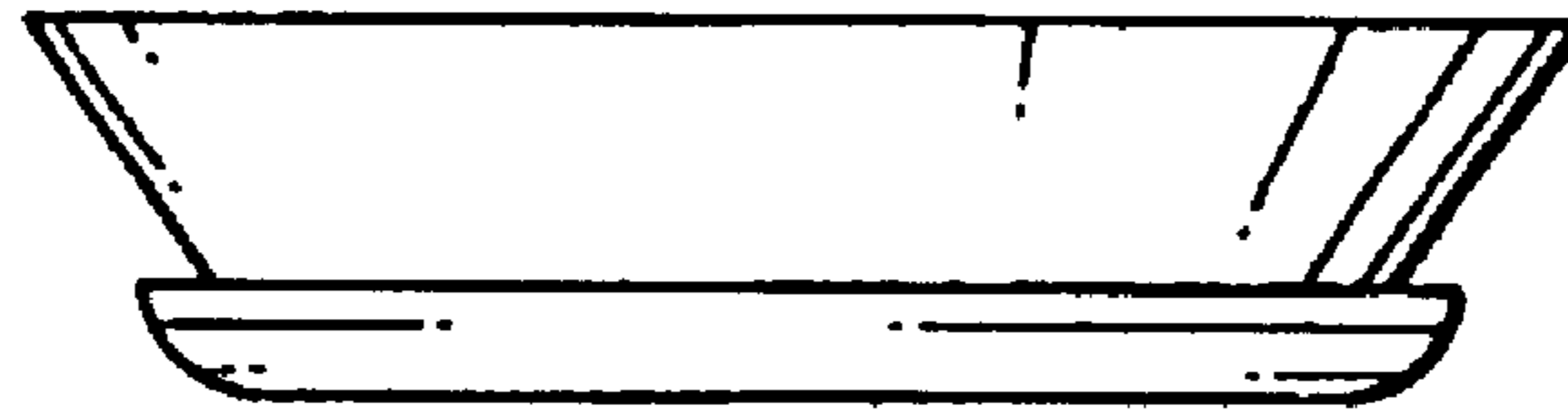


FIG. 4

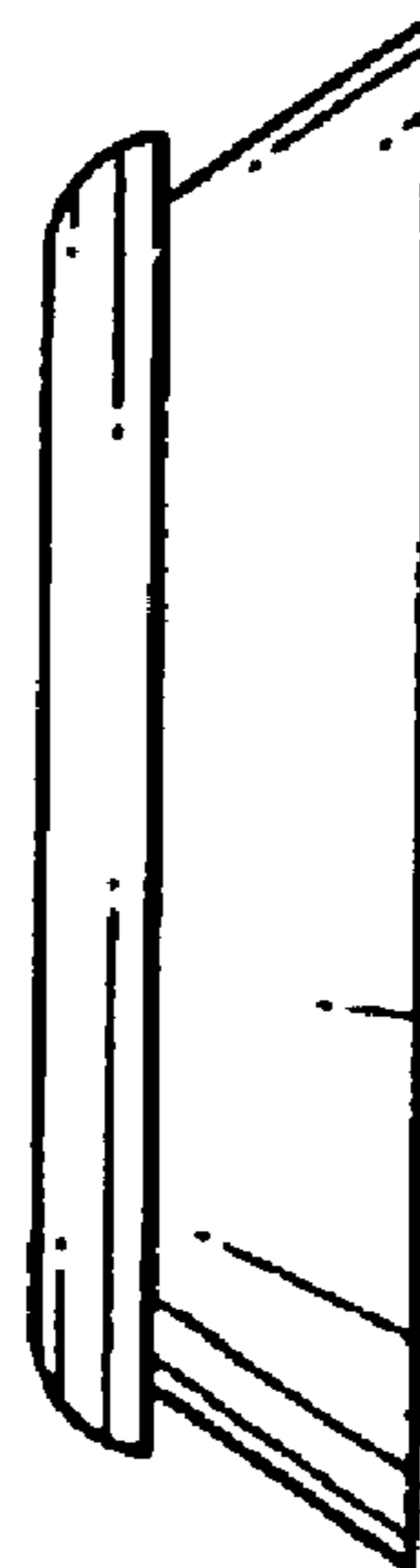


FIG. 5

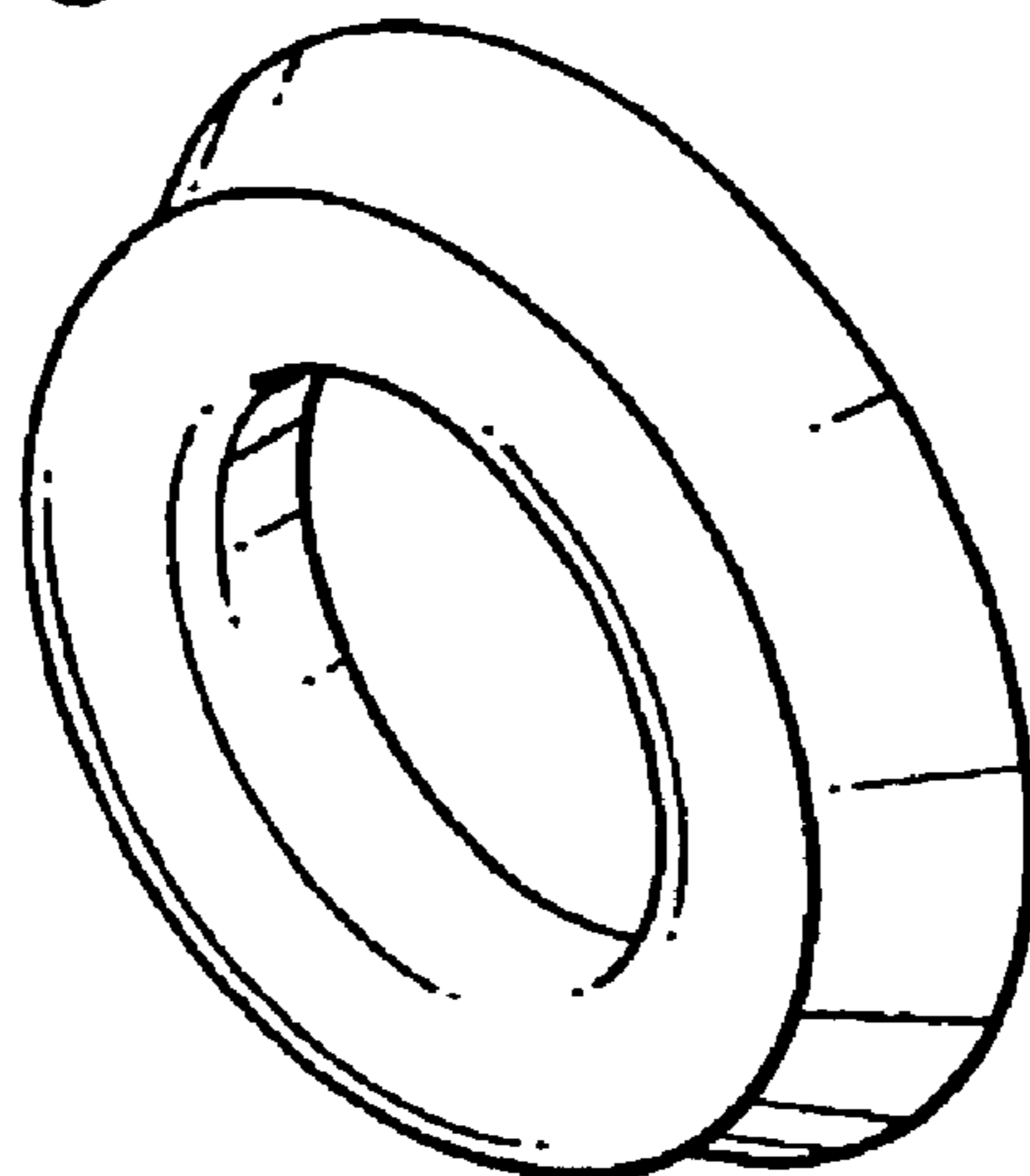


FIG. 6

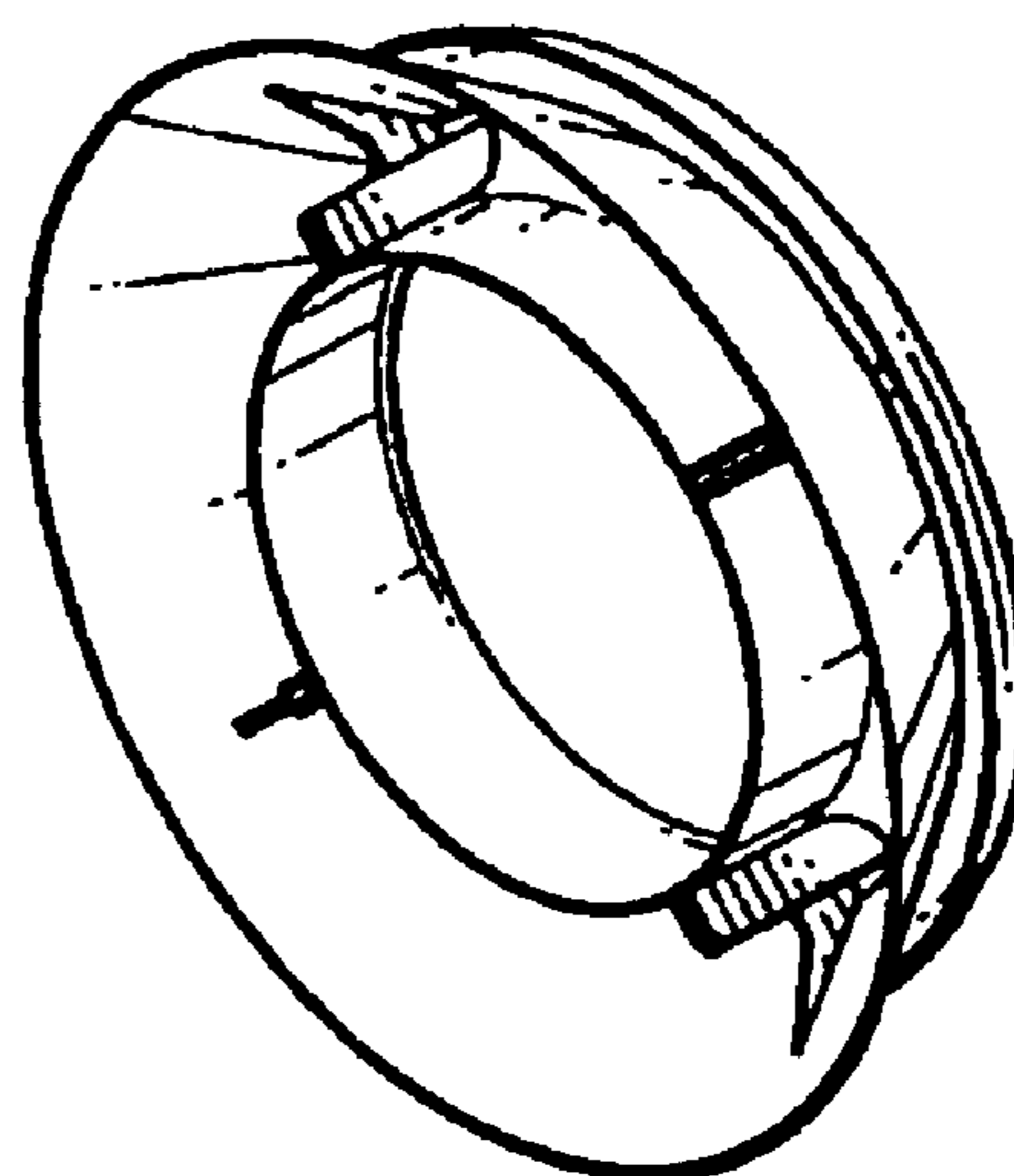
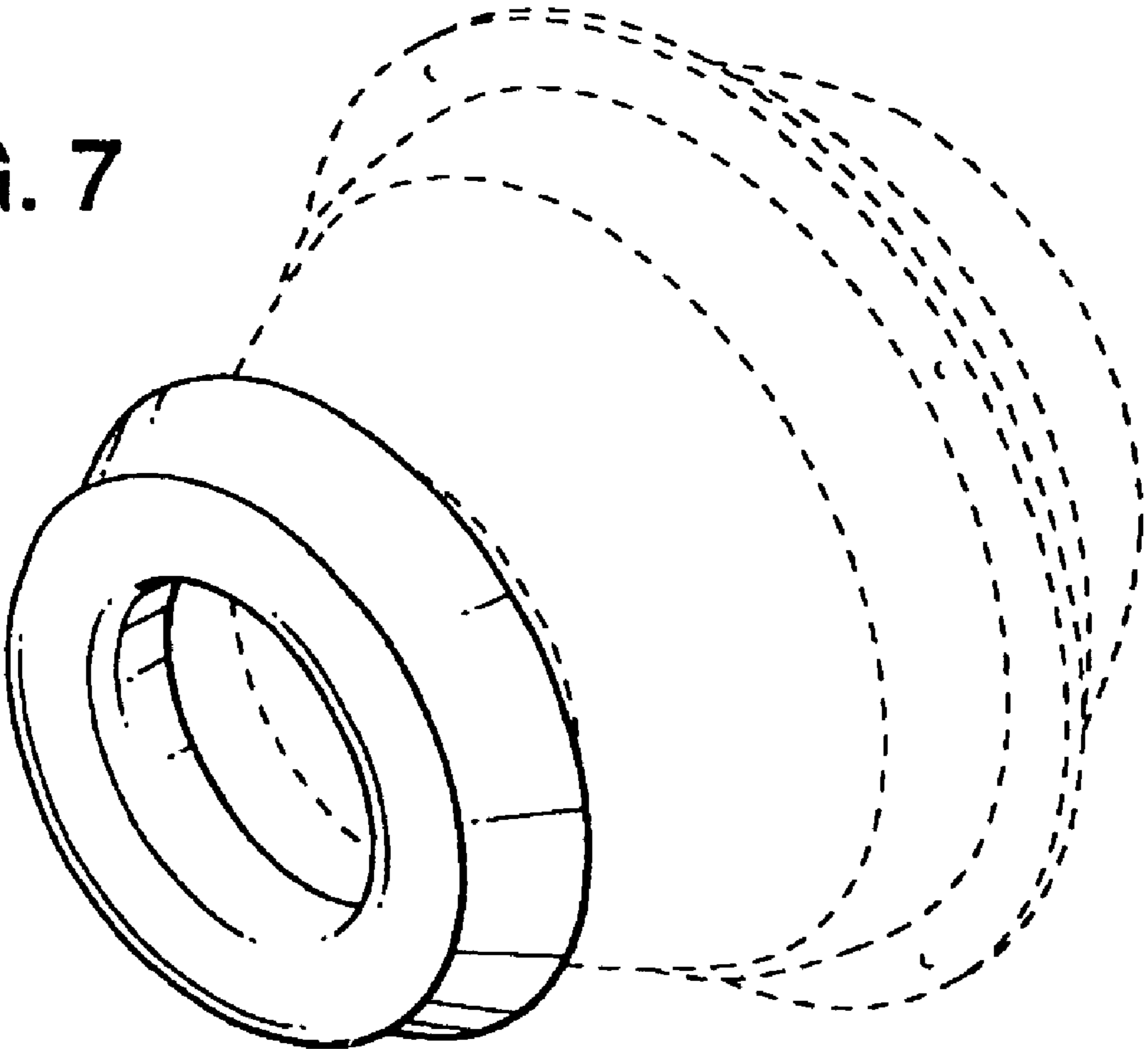


FIG. 7



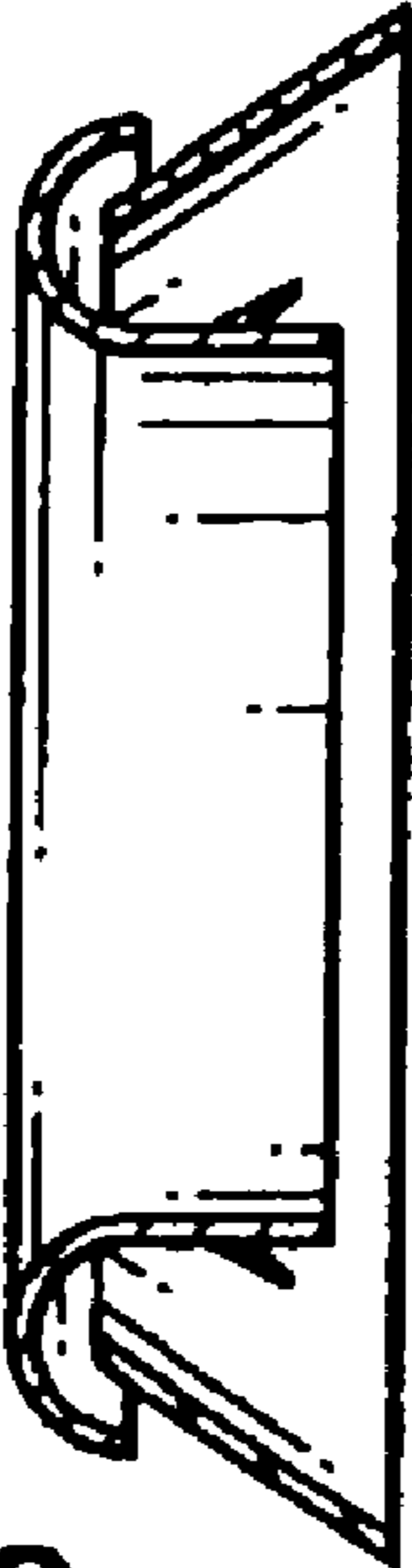


FIG. 8

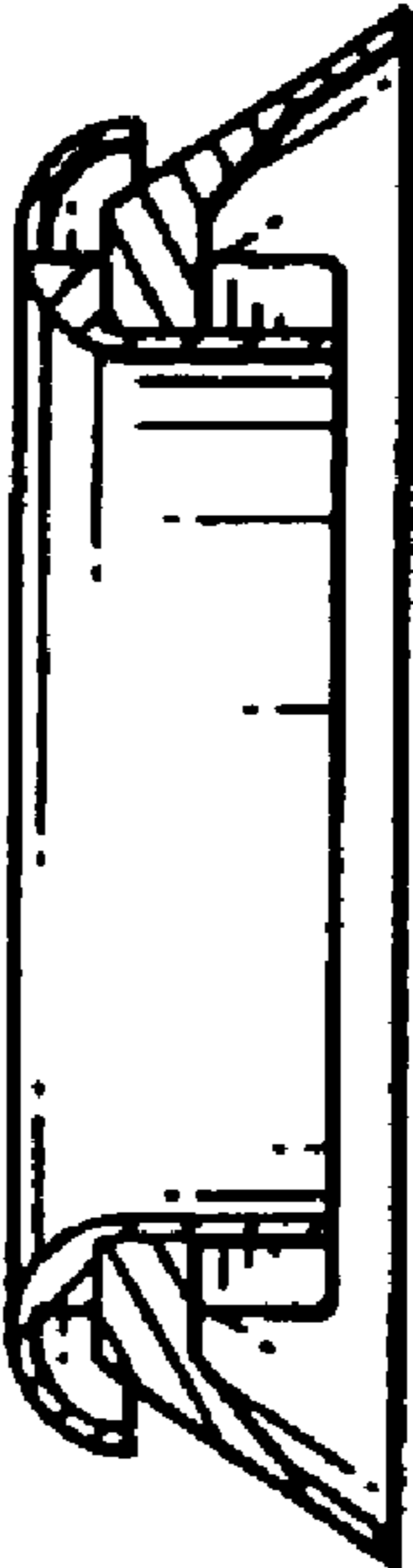


FIG. 9