



US00D536431S

(12) **United States Design Patent**
Campbell et al.

(10) **Patent No.:** **US D536,431 S**

(45) **Date of Patent:** **** Feb. 6, 2007**

(54) **HUMIDIFIER**

D459,456 S 6/2002 Campbell D23/356
D501,248 S * 1/2005 Chi-Hsiang et al. D23/356
D523,128 S * 6/2006 Zhu D23/364

(75) Inventors: **Glennbruce S. Campbell**, Memphis,
TN (US); **Hsiao-ching Huang**,
Memphis, TN (US)

* cited by examiner

(73) Assignee: **Hunter Fan Company**, Memphis, TN
(US)

Primary Examiner—Robin Webster

(74) *Attorney, Agent, or Firm*—Baker Donelson

(**) Term: **14 Years**

(57) **CLAIM**

The ornamental design for a humidifier, as shown and described.

(21) Appl. No.: **29/234,492**

(22) Filed: **Jul. 18, 2005**

DESCRIPTION

(51) **LOC (8) Cl.** **23-04**

FIG. 1 is a perspective view of a humidifier showing my new design.

(52) **U.S. Cl.** **D23/356**

FIG. 2 is a front view thereof.

(58) **Field of Classification Search** D23/355,

FIG. 3 is a right side view thereof.

D23/364–5, 356, 359

FIG. 4 is a rear view thereof.

See application file for complete search history.

FIG. 5 is a left side view thereof.

FIG. 6 is a top view thereof; and,

FIG. 7 is a bottom view thereof.

The broken lines in the views show environmental features which are for illustrative purposes only and form no part of the claimed design.

(56) **References Cited**

U.S. PATENT DOCUMENTS

D221,763 S * 9/1971 Gilbertson D23/364
D330,074 S 10/1992 Wang et al. D23/356
D394,099 S 5/1998 Tsuji D23/356
D411,000 S 6/1999 Moore D23/356

1 Claim, 4 Drawing Sheets

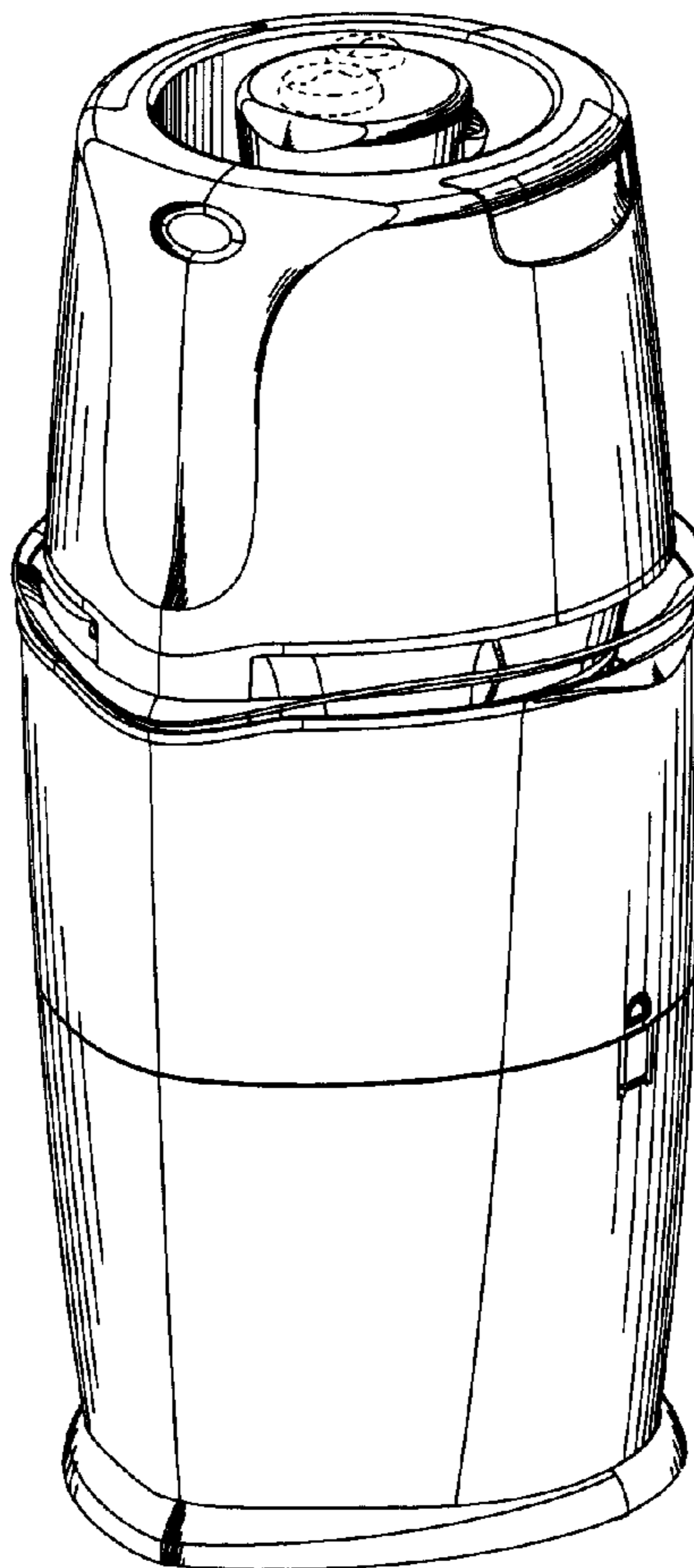


Fig. 1

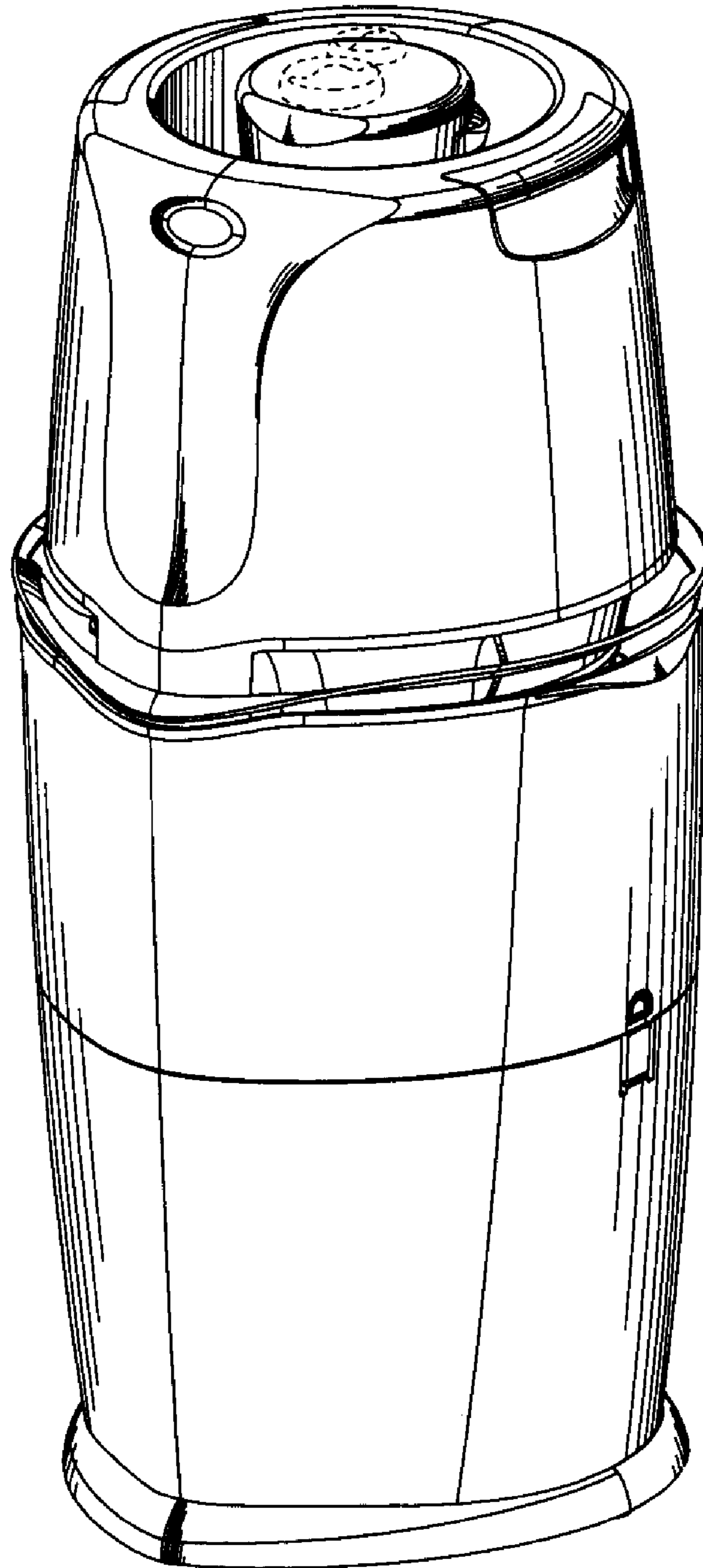


Fig. 3

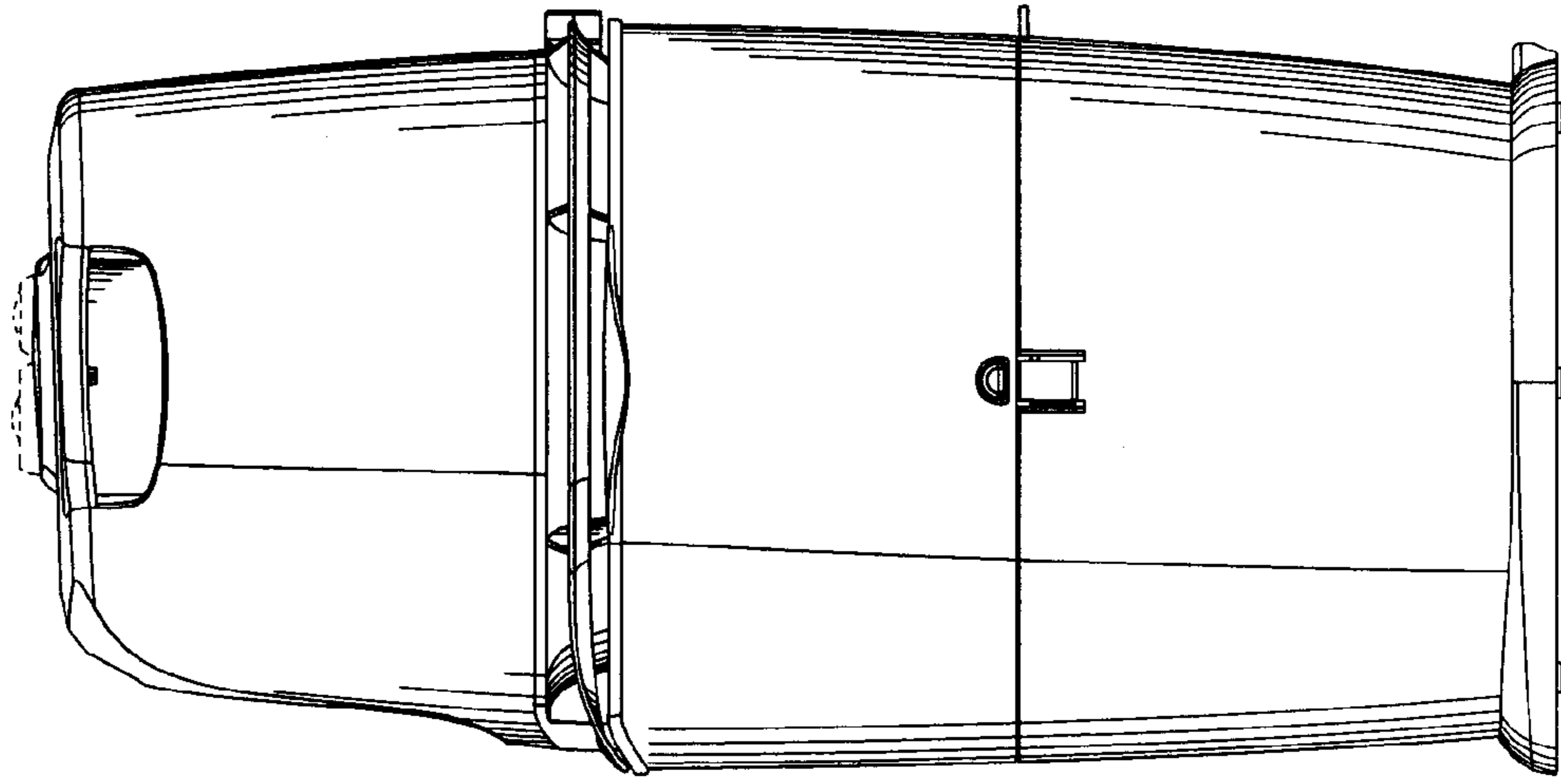


Fig. 2

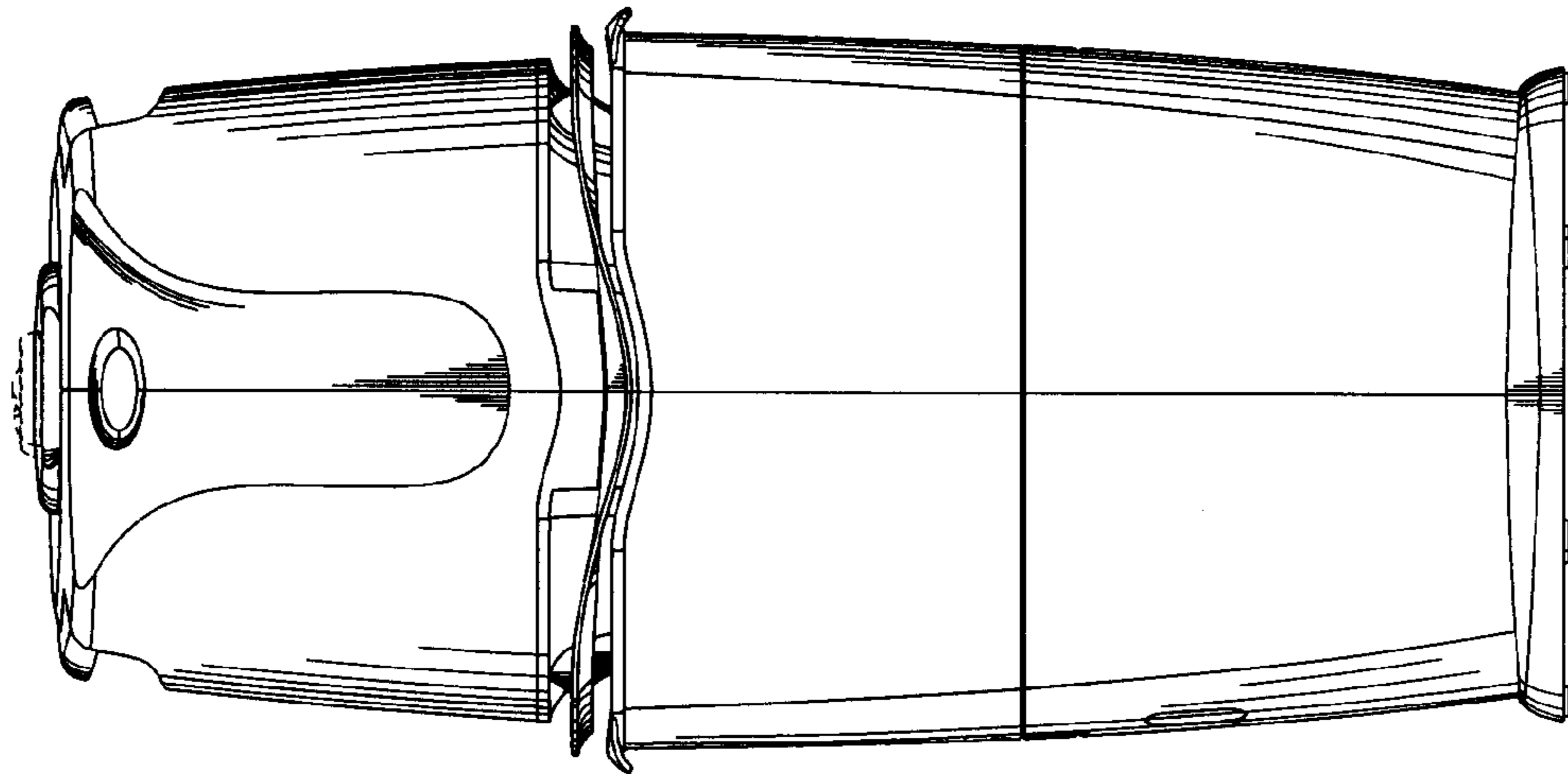


Fig. 5

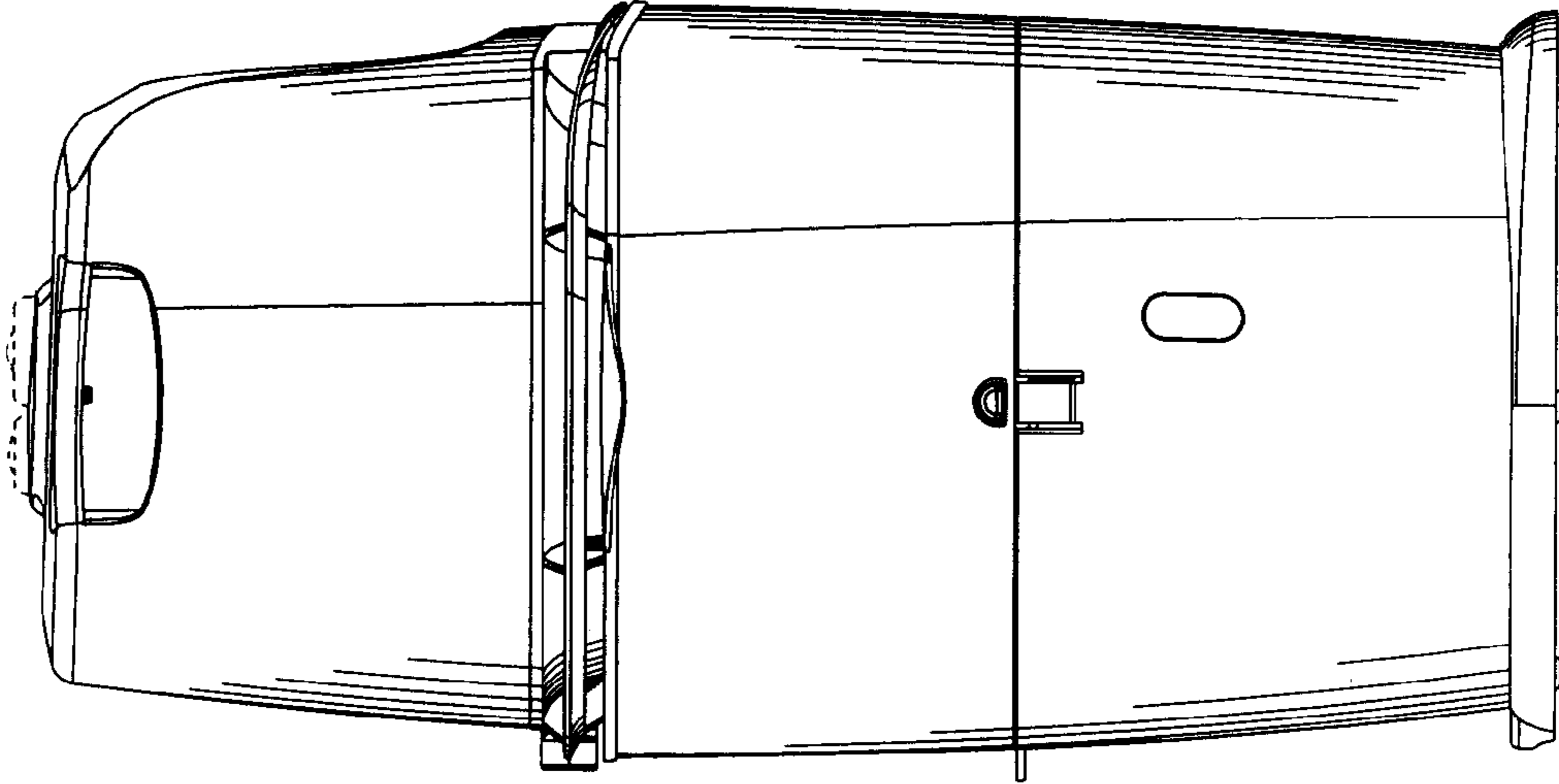


Fig. 4

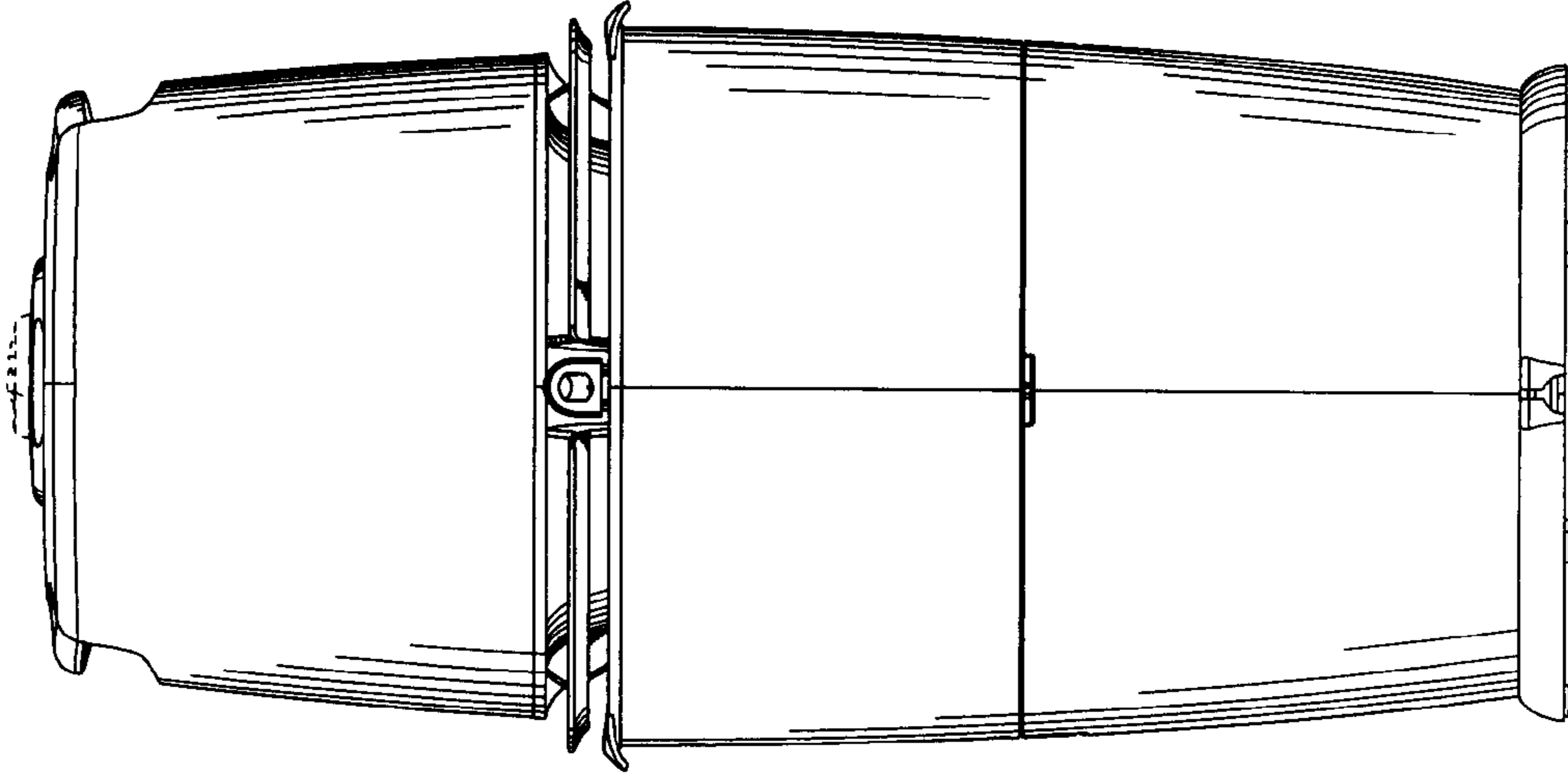


Fig. 6

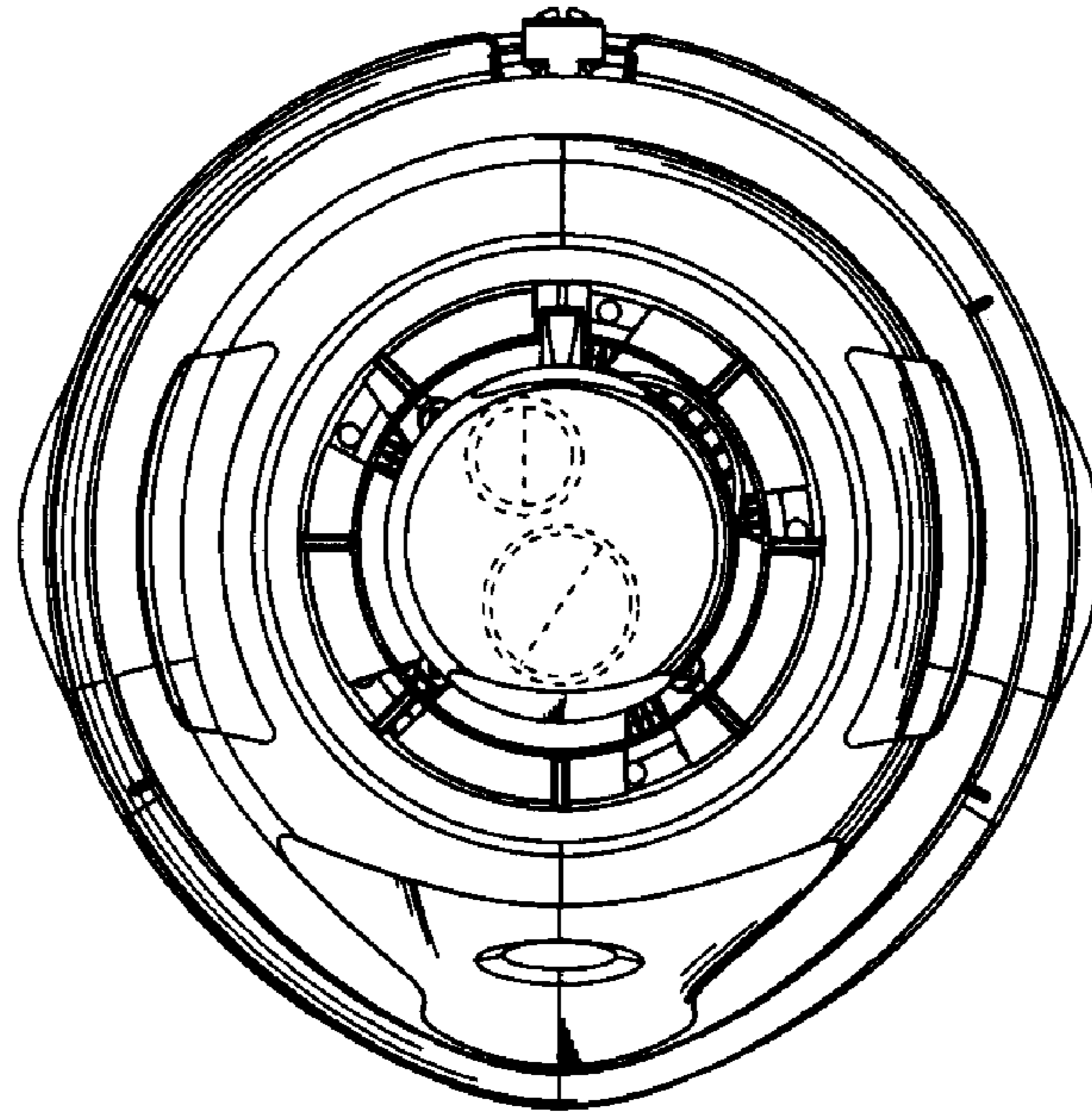


Fig. 7

