



US00D536425S

(12) **United States Design Patent**  
**VanMarcke**

(10) **Patent No.:** **US D536,425 S**

(45) **Date of Patent:** **\*\* Feb. 6, 2007**

(54) **FAUCET**

(75) **Inventor:** **Carl VanMarcke**, Kruishoutem (BE)

(73) **Assignee:** **Naamloze Vennootschap International Sanitary Ware-Manufacturing Cy. Societe Anonyme**, Kruishoutem (BE)

(\*\*) **Term:** **14 Years**

(21) **Appl. No.:** **29/238,586**

(22) **Filed:** **Sep. 16, 2005**

(30) **Foreign Application Priority Data**

Mar. 18, 2005 (BX) ..... 81467-01

(51) **LOC (8) Cl.** ..... **23-01**

(52) **U.S. Cl.** ..... **D23/255**

(58) **Field of Classification Search** ..... D23/238-257;  
4/675-678; 137/801

See application file for complete search history.

(56) **References Cited**

**U.S. PATENT DOCUMENTS**

D341,873 S \* 11/1993 Allen et al. .... D23/238  
D353,877 S \* 12/1994 Rogers ..... D23/255

D381,396 S \* 7/1997 Paterson et al. .... D23/238  
D431,285 S \* 9/2000 Paterson et al. .... D23/255  
D516,680 S \* 3/2006 Schmitt et al. .... D23/249

\* cited by examiner

*Primary Examiner*—Louis S. Zarfaz

*Assistant Examiner*—Gregory Andoll

(74) *Attorney, Agent, or Firm*—Kirschstein, et al.

(57) **CLAIM**

The ornamental design for a faucet, as shown and described.

**DESCRIPTION**

FIG. 1 is a front, bottom and side, perspective view of a faucet according to my new design;

FIG. 2 is a top plan view thereof;

FIG. 3 is a side elevational view thereof, the opposite side being a mirror image;

FIG. 4 is a front elevational view thereof;

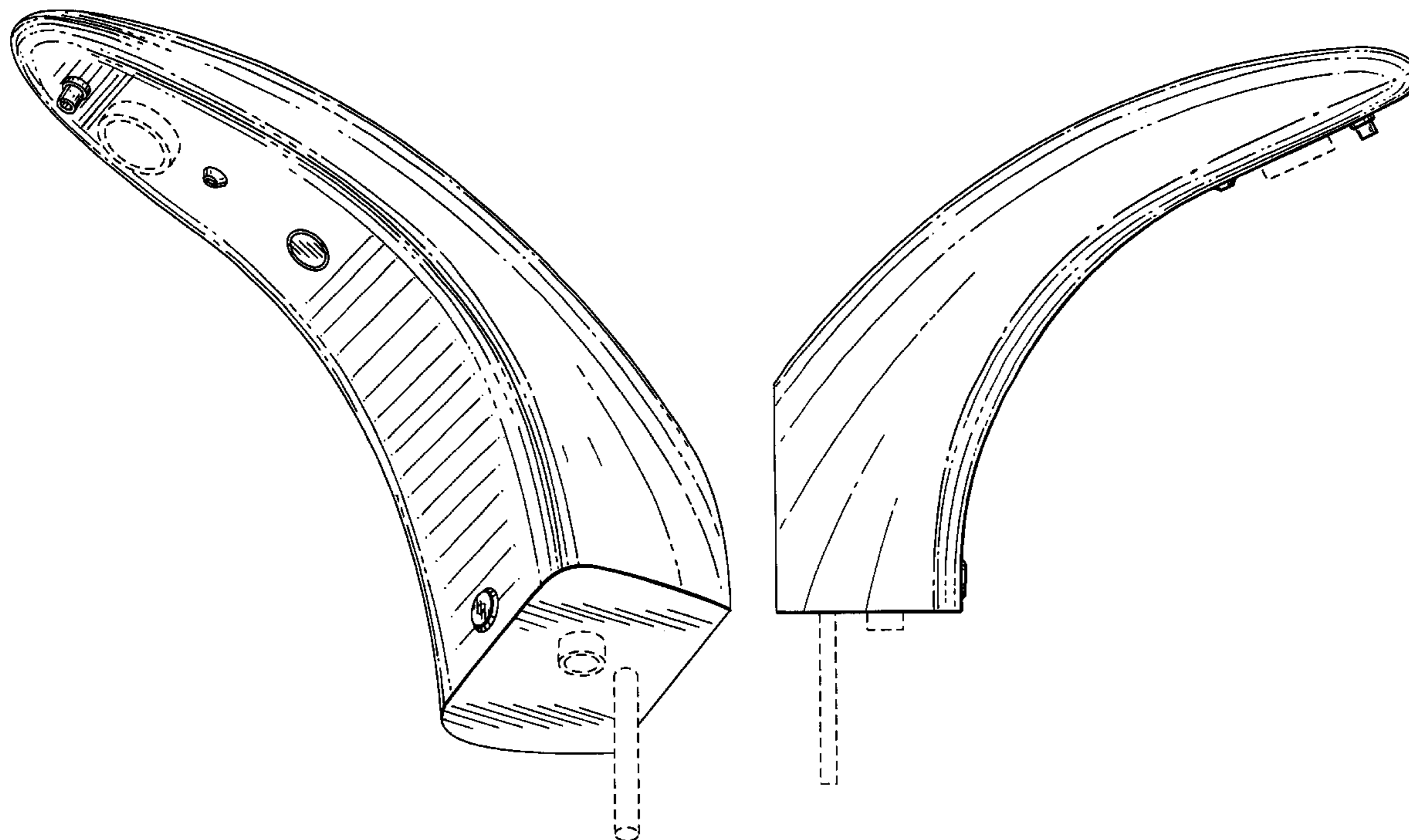
FIG. 5 is a rear elevational view thereof;

FIG. 6 is a bottom plan view thereof; and,

FIG. 7 is a rear, top and side, perspective view thereof.

The dashed lines throughout the drawings are for environmental purposes only and form no part of the design.

**1 Claim, 4 Drawing Sheets**



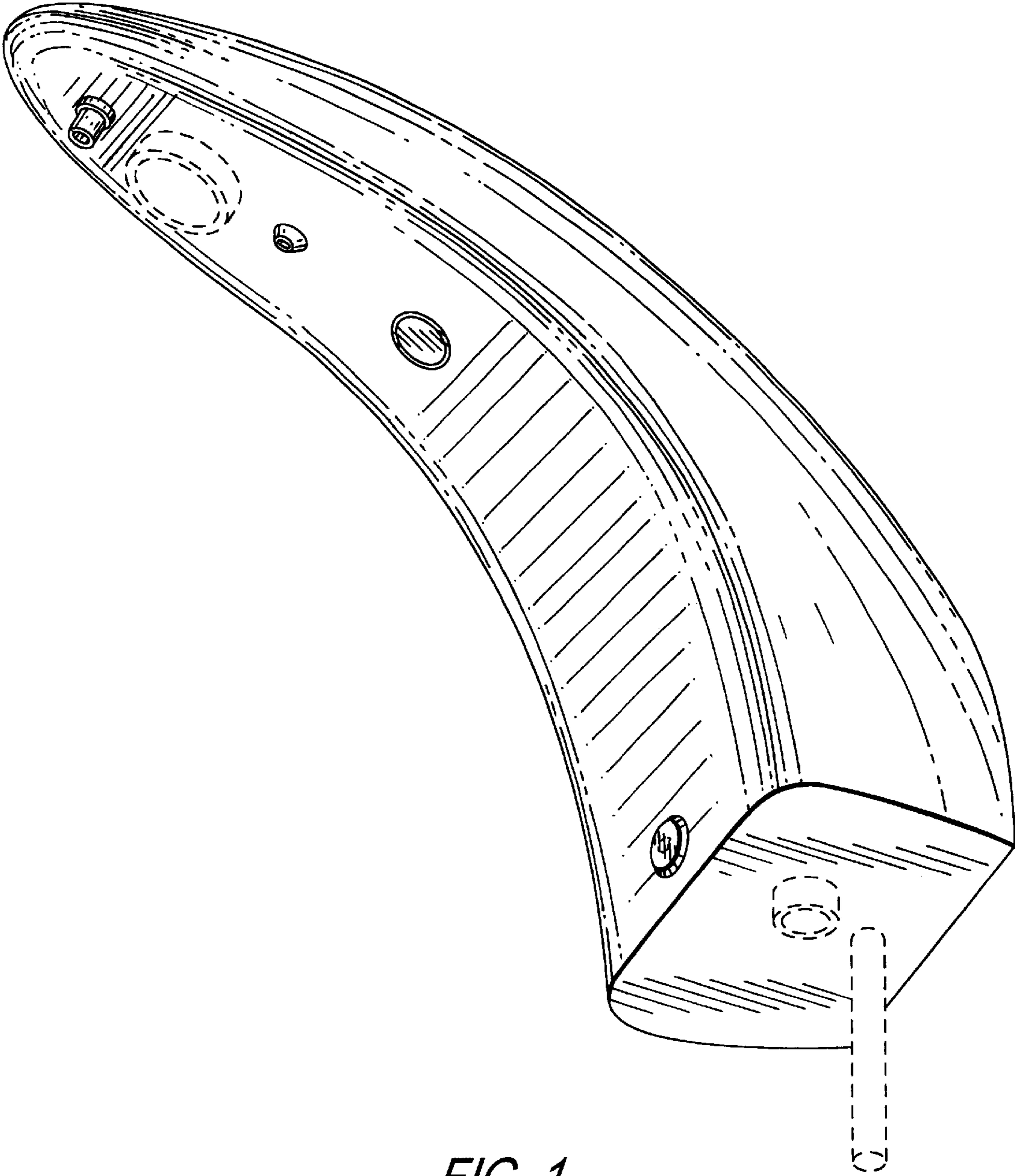


FIG. 1

FIG. 2

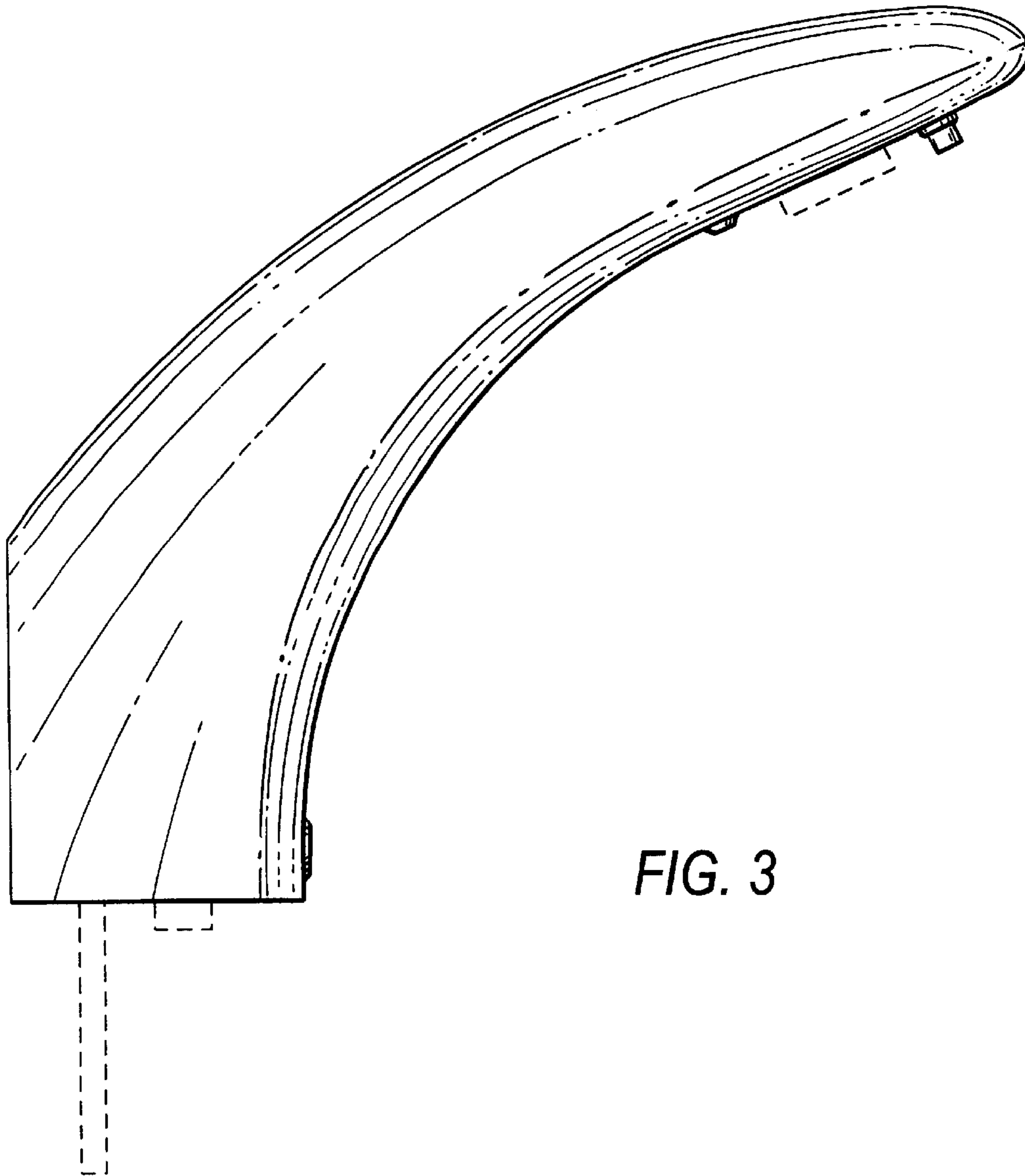
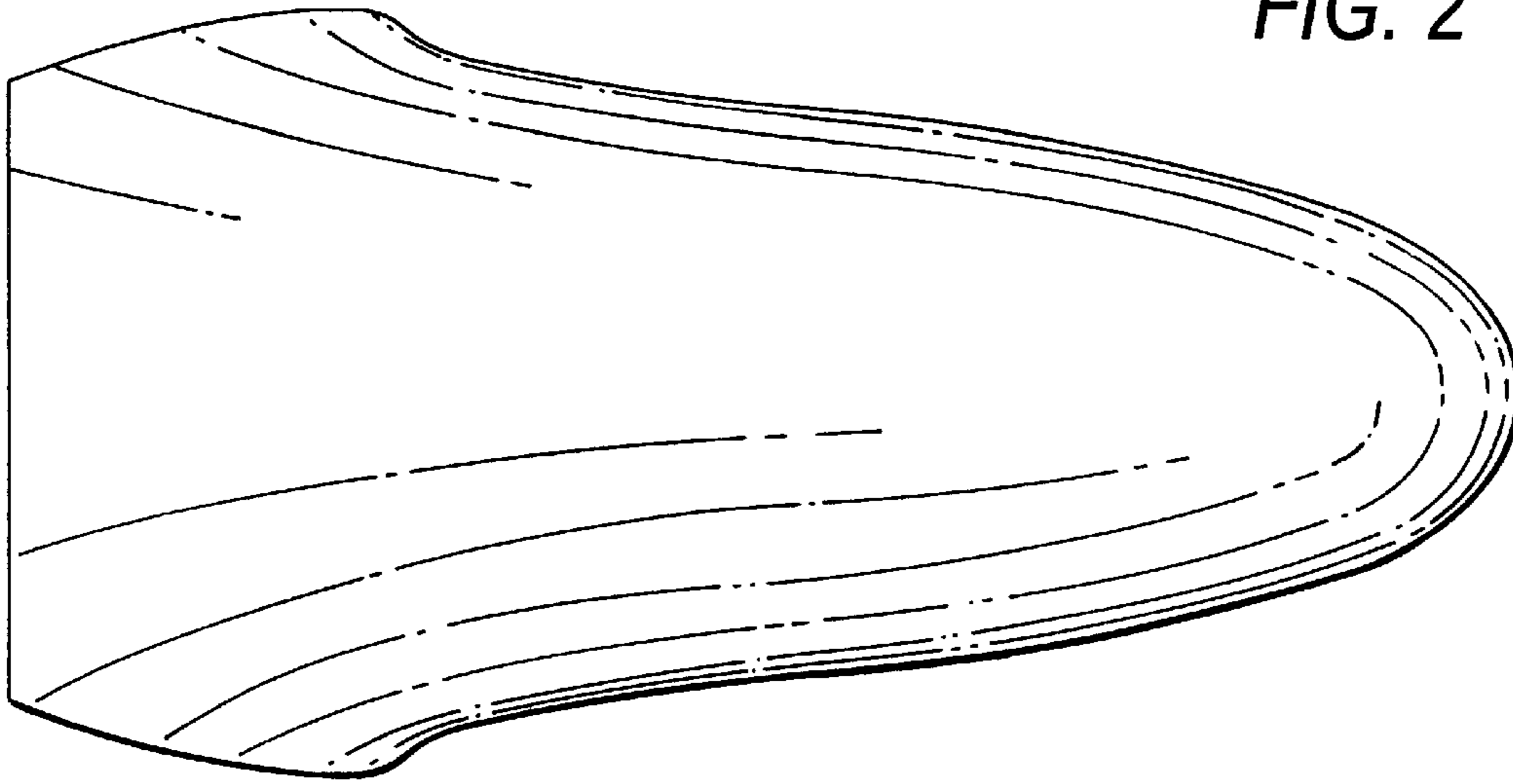


FIG. 3

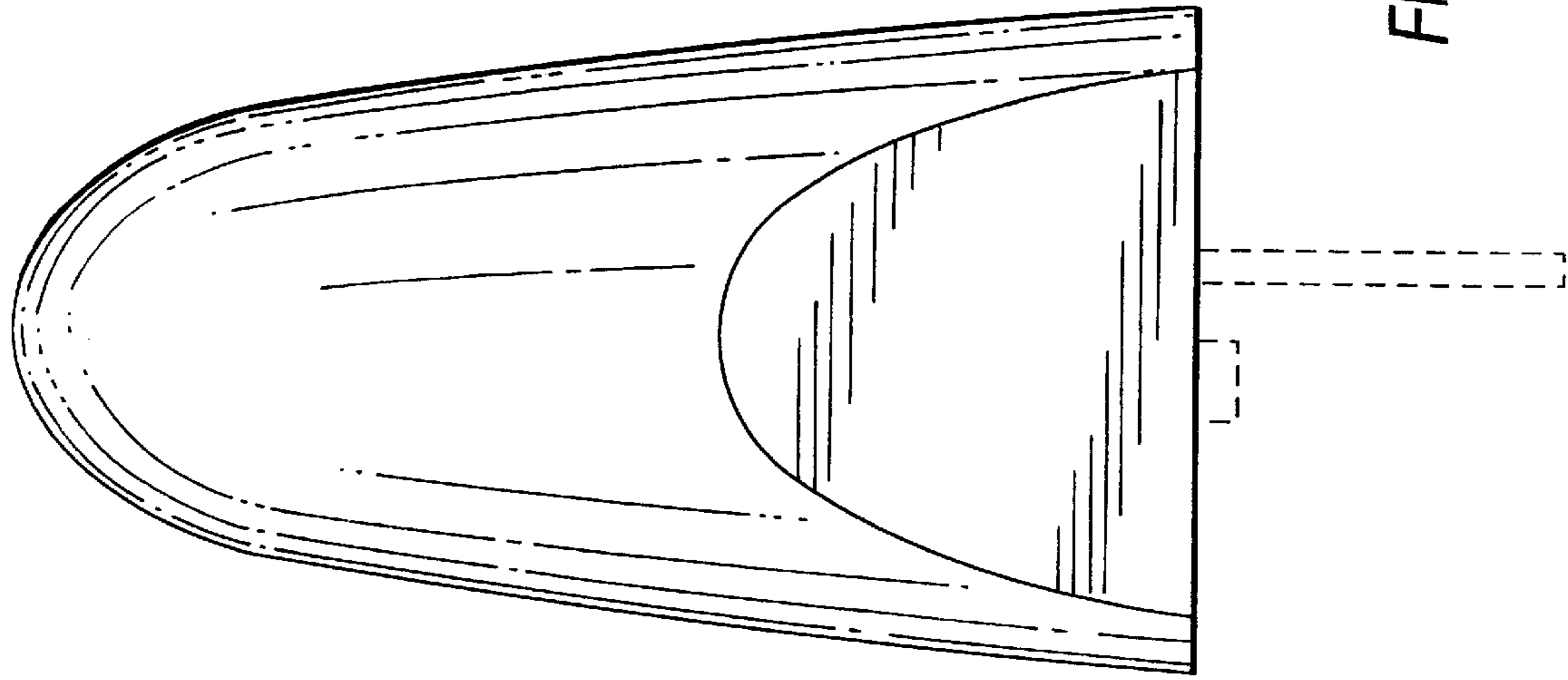


FIG. 5

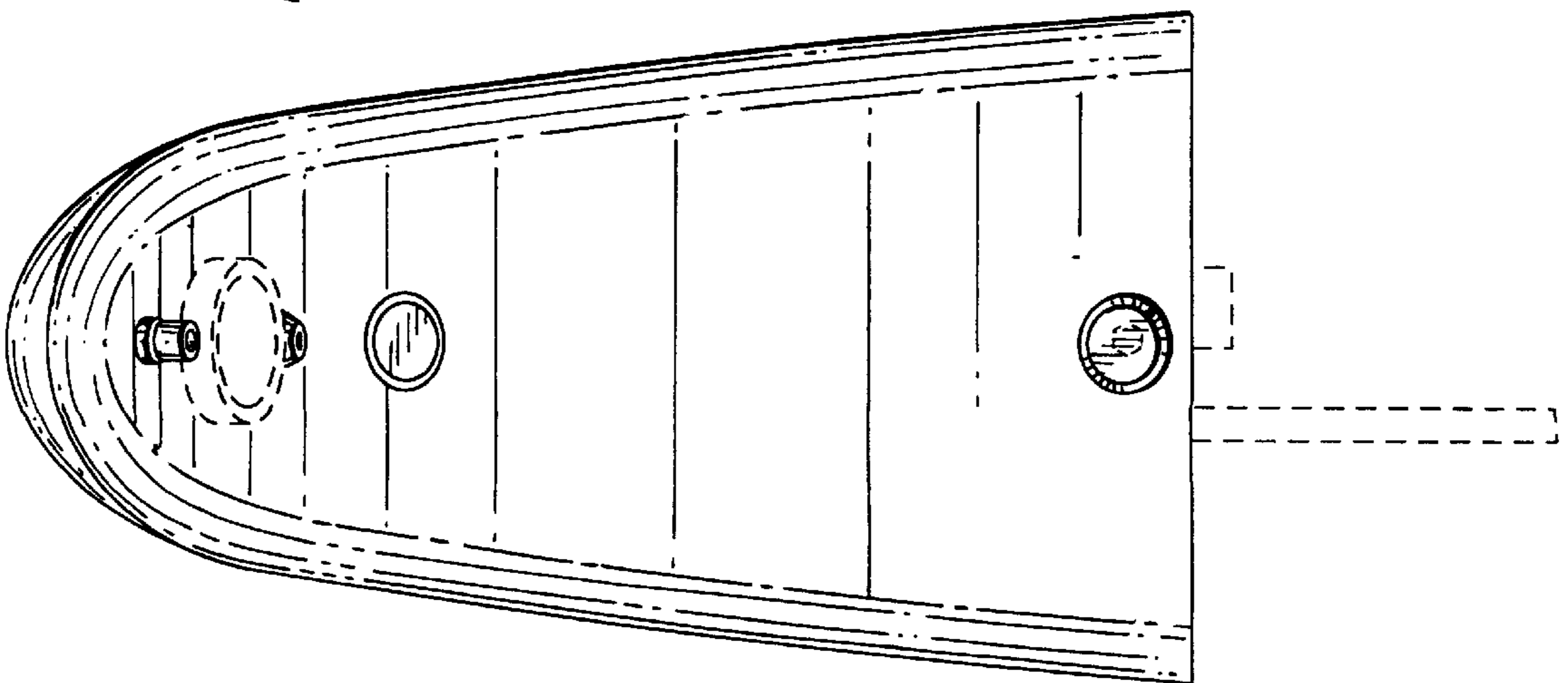


FIG. 4

FIG. 6

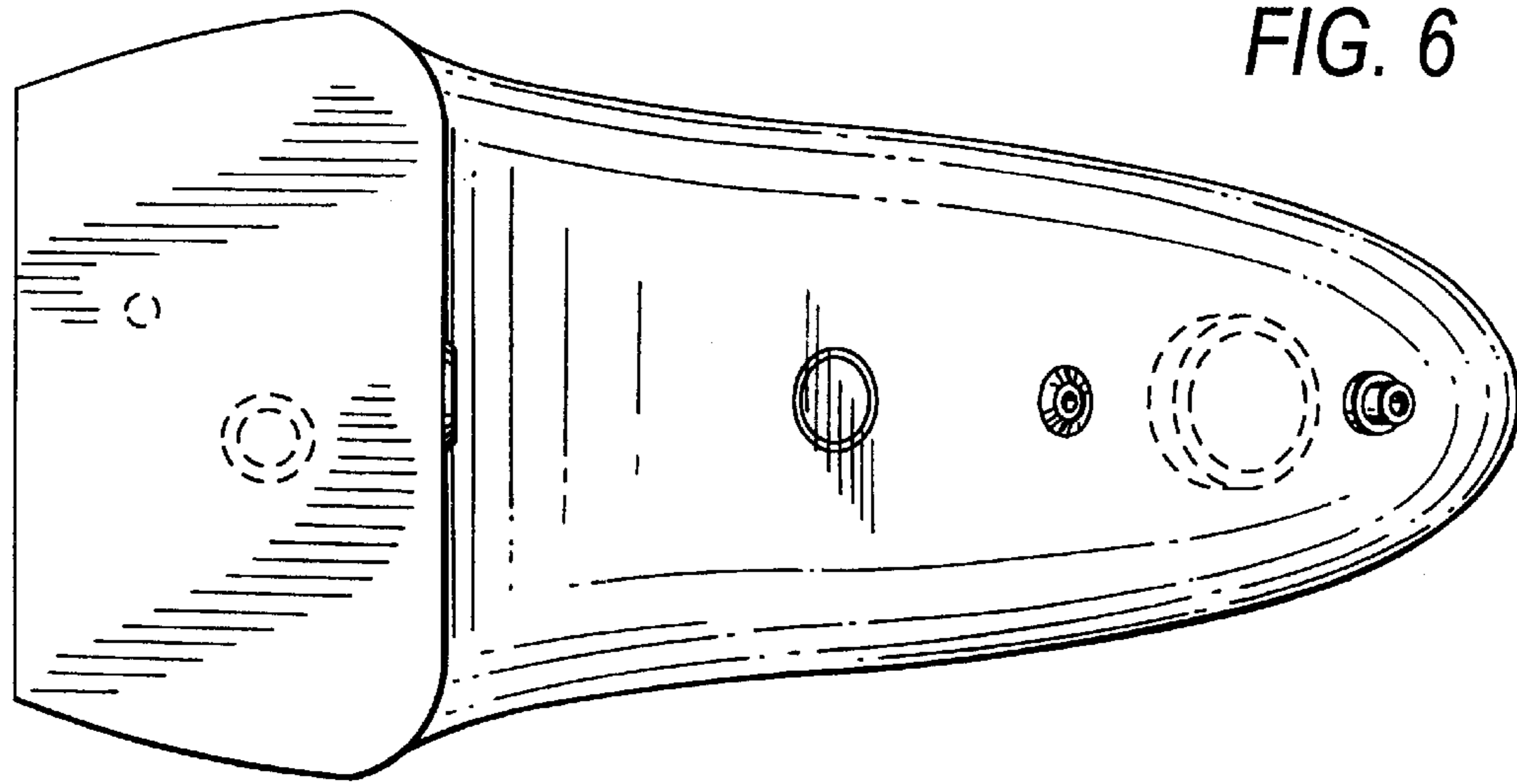


FIG. 7

