



US00D536419S

(12) **United States Design Patent** (10) **Patent No.:** **US D536,419 S**
O'Brien et al. (45) **Date of Patent:** **** Feb. 6, 2007**

(54) **SHOWER DISPENSER**

(76) Inventors: **Paul W. O'Brien**, 917 SR 92 N,
Tunkhannock, PA (US) 18657; **William
Daniel Reidsema**, P.O. Box 138, South
Montrose, PA (US) 18843

(**) Term: **14 Years**

(21) Appl. No.: **29/231,804**

(22) Filed: **Jun. 9, 2005**

(51) **LOC (8) Cl.** **23-01**

(52) **U.S. Cl.** **D23/228**

(58) **Field of Classification Search** D23/213,
D23/229, 230, 228; 239/282-3, 460, 449;
4/615, 525; D6/542

See application file for complete search history.

(56) **References Cited**

U.S. PATENT DOCUMENTS

2,058,901	A	*	10/1936	McPherson	422/266
4,933,080	A	*	6/1990	Rundzaitis et al.	210/232
D326,896	S	*	6/1992	McNeely	D23/228
D329,892	S	*	9/1992	Brister	D23/228
6,006,374	A	*	12/1999	Winnett et al.	4/525
D446,841	S	*	8/2001	Silva	D23/209

* cited by examiner

Primary Examiner—Robin Webster

(74) *Attorney, Agent, or Firm*—Charles A. Wilkinson;
Clinton H. Wilkinson

(57) **CLAIM**

We claim the ornamental design for a shower dispenser, as shown and described.

DESCRIPTION

FIG. 1 is an isometric view from the front right side of the shower dispenser of the present invention;

FIG. 2 is an elevation view showing the front portion thereof;

FIG. 3 is an elevation view showing the back portion thereof;

FIG. 4 is an elevation view showing the right side thereof;

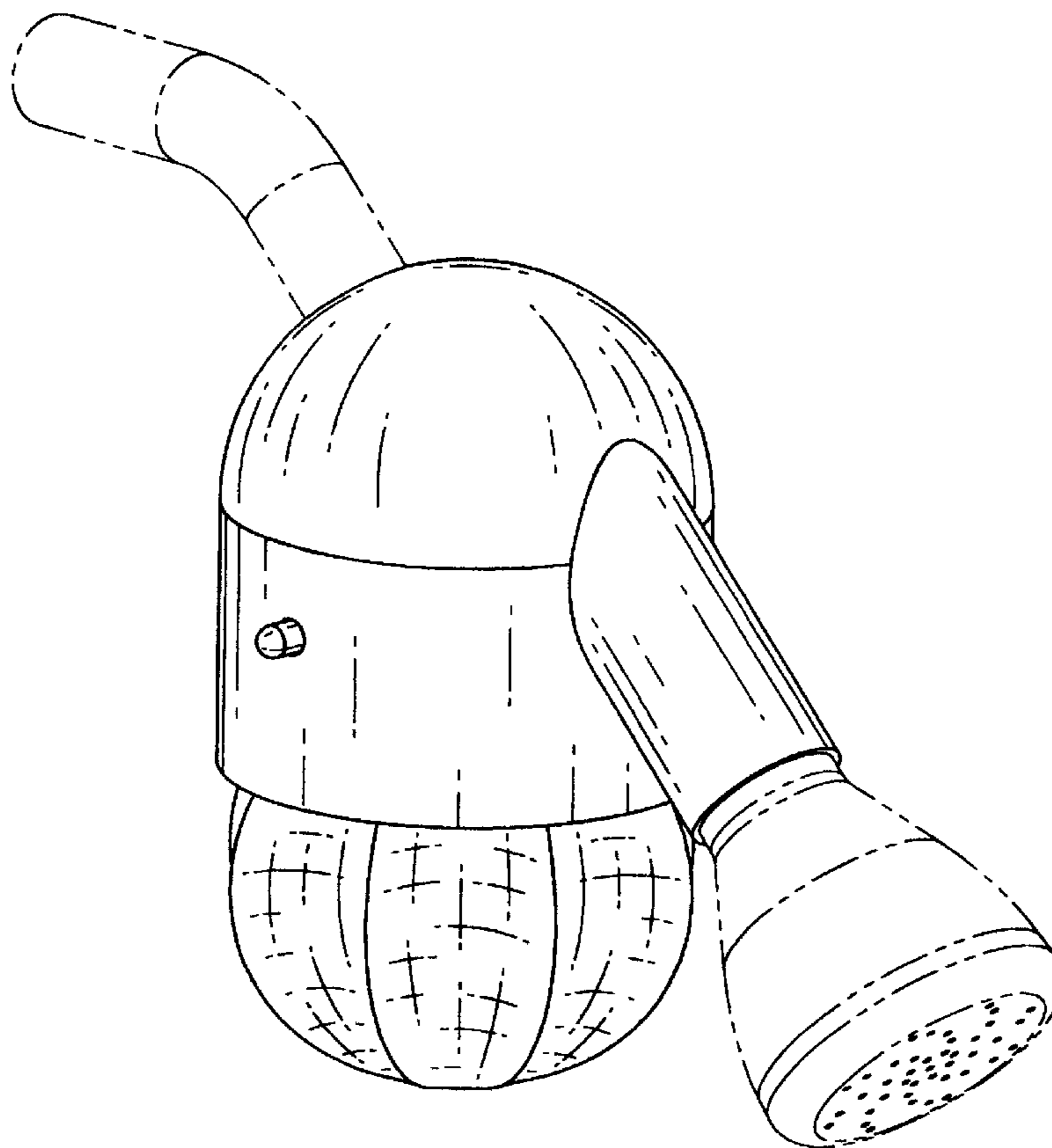
FIG. 5 is an elevation view showing the left side thereof;

FIG. 6 is a top view thereof; and,

FIG. 7 is a bottom view thereof.

The shower head and water pipe shown in dashed lines in the Figures are included for illustrative purposes only and form no part of the subject design.

1 Claim, 7 Drawing Sheets



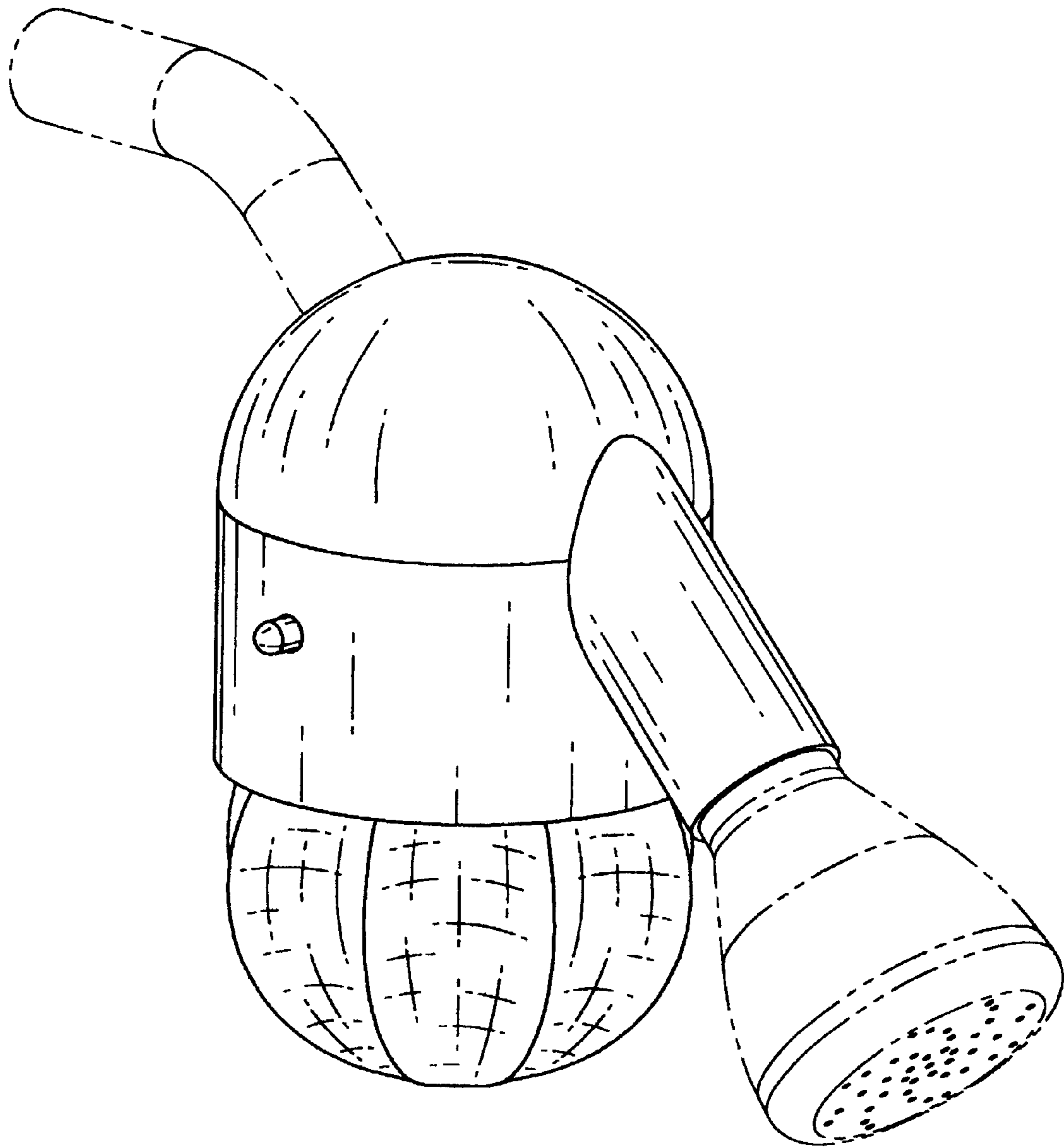


Fig. 1

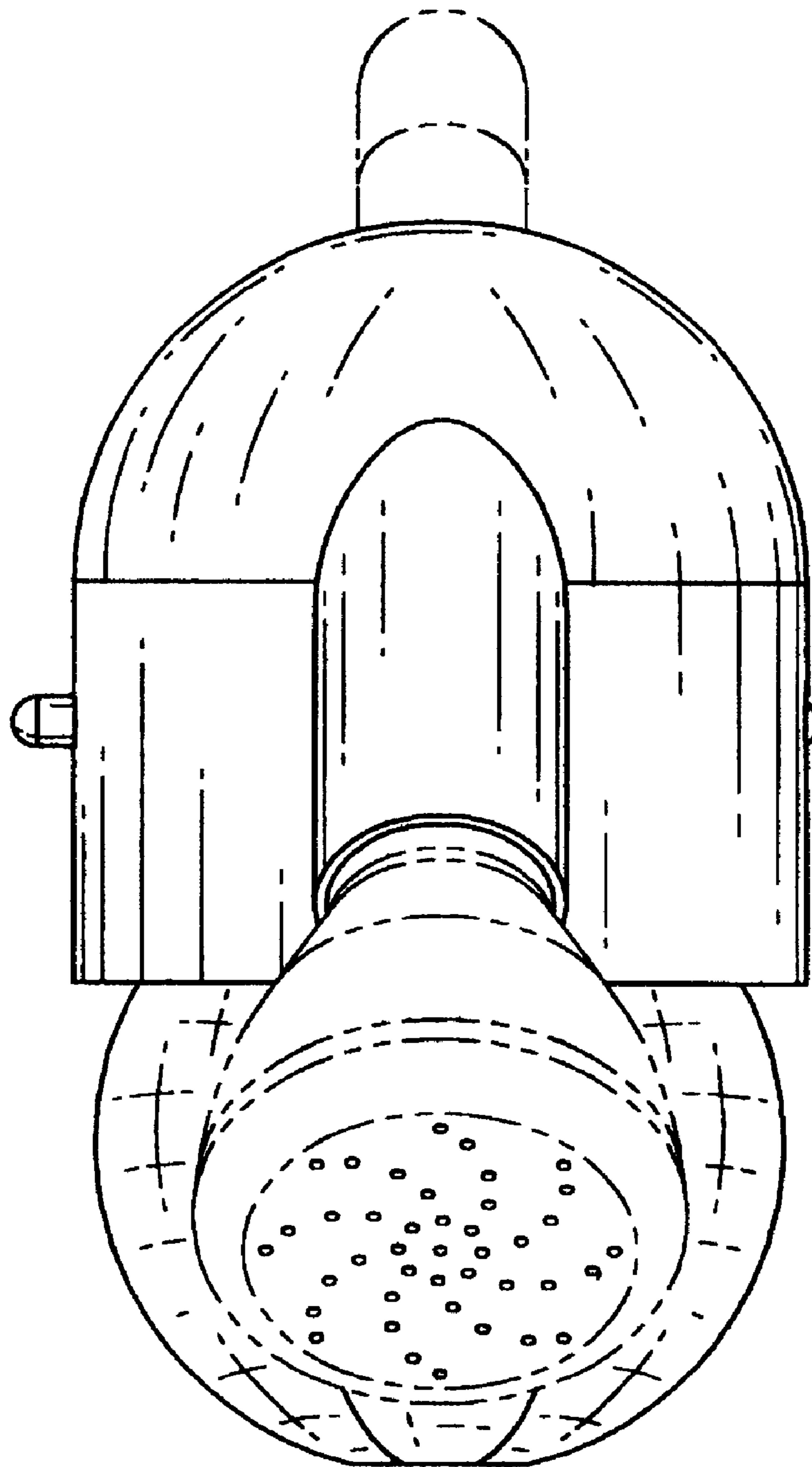


Fig. 2

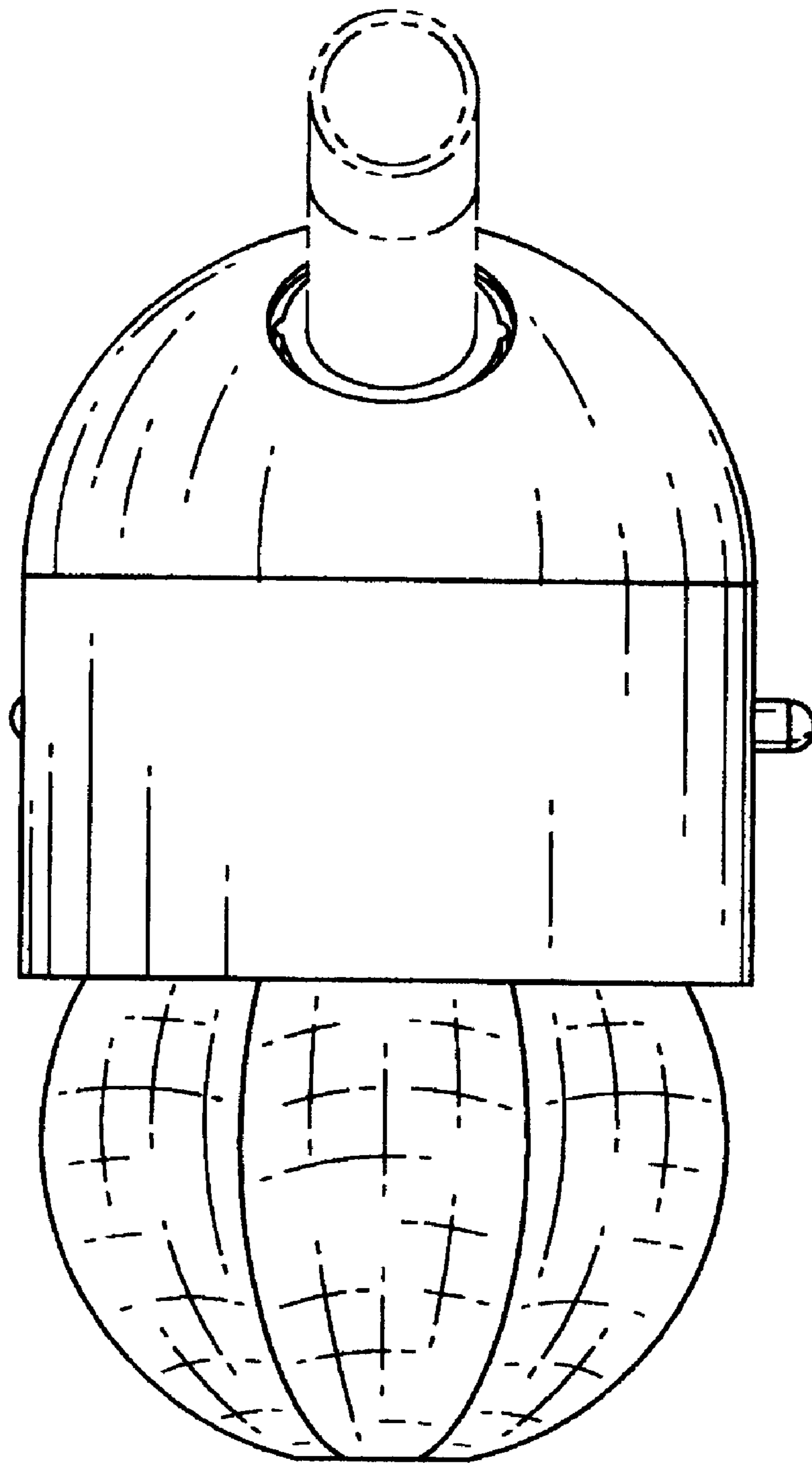


Fig. 3

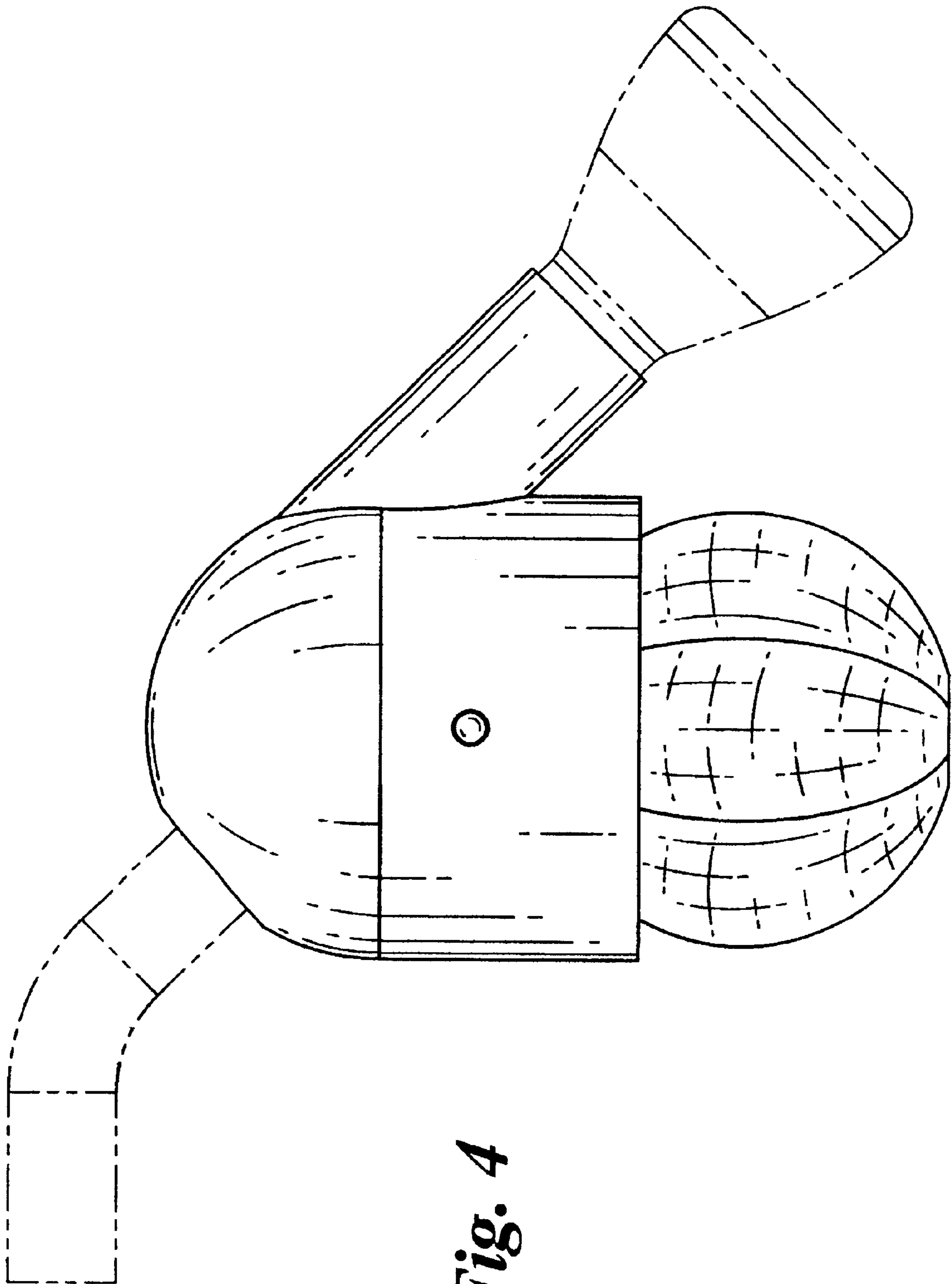
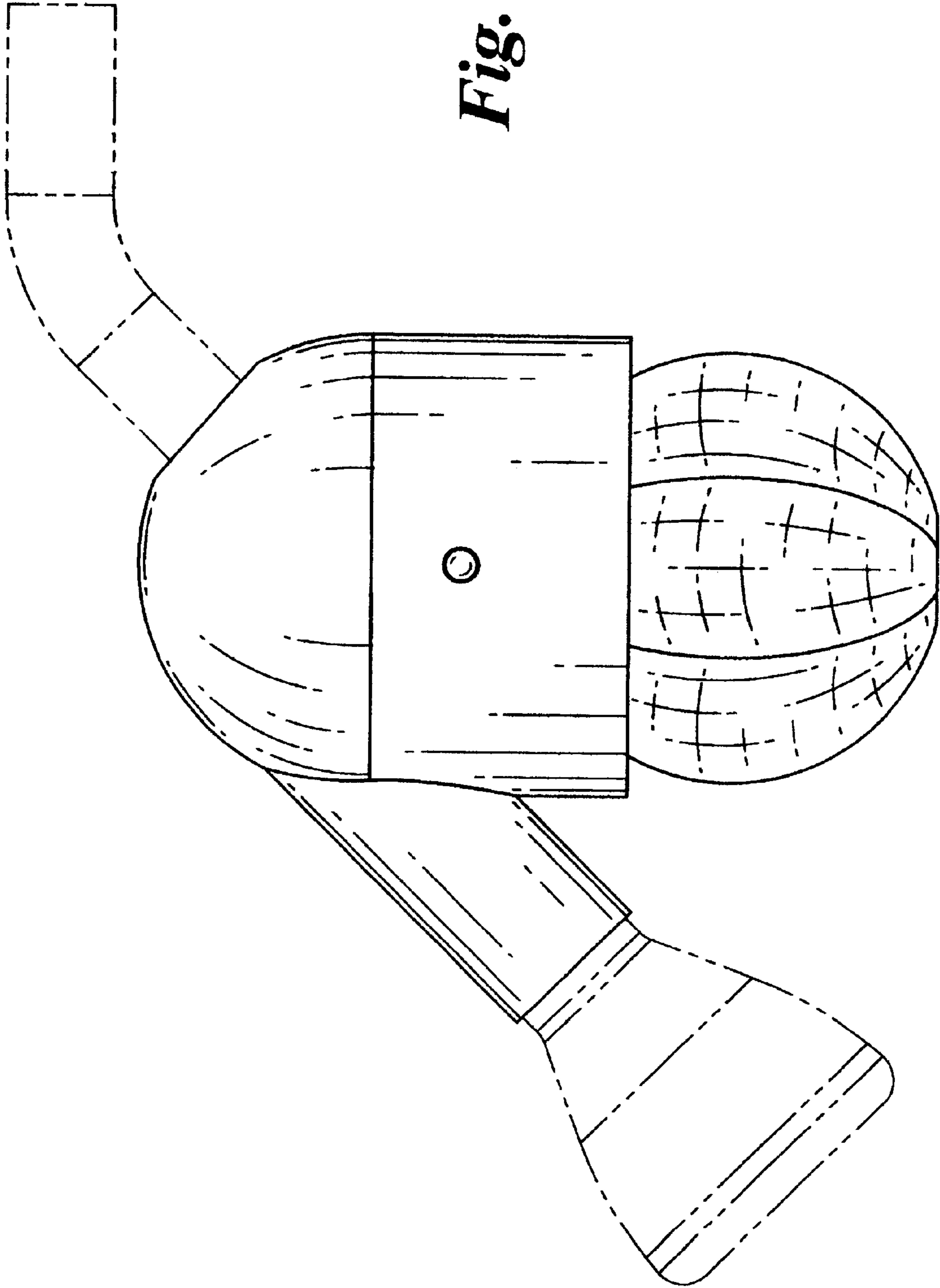


Fig. 4

Fig. 5



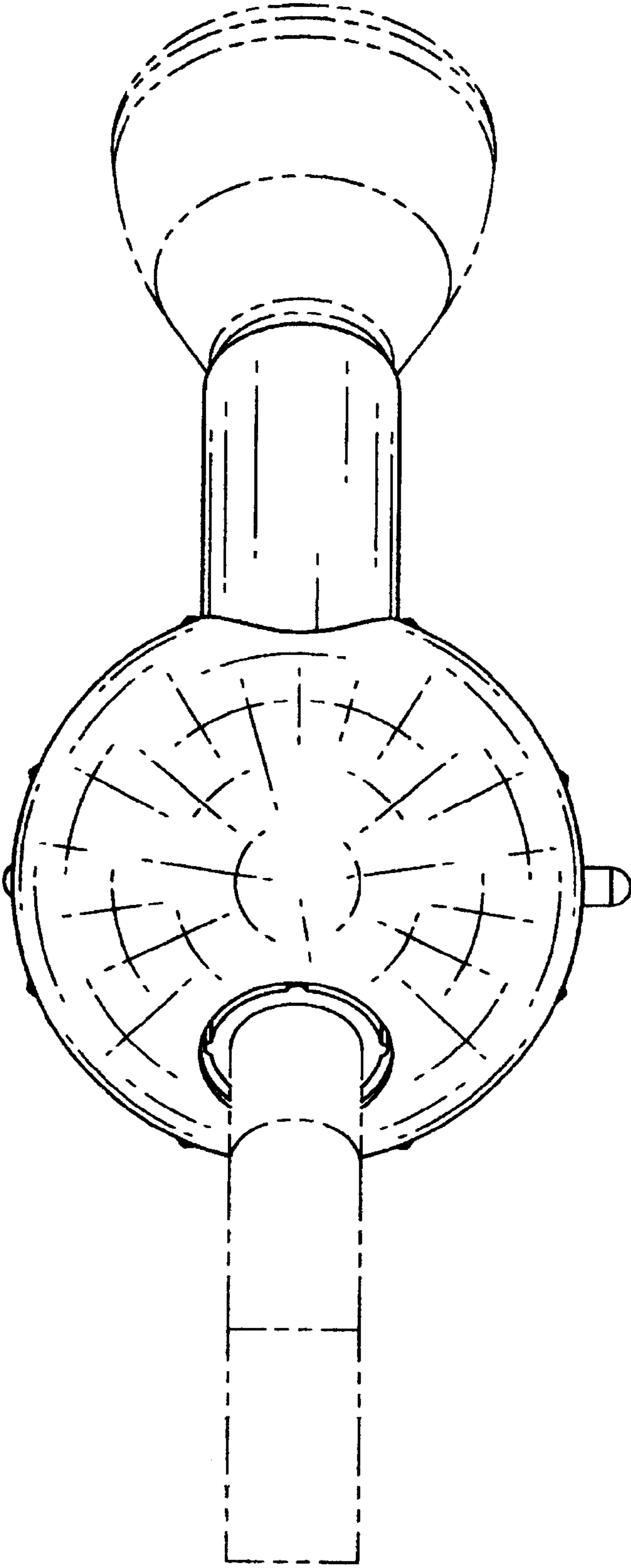


Fig. 6

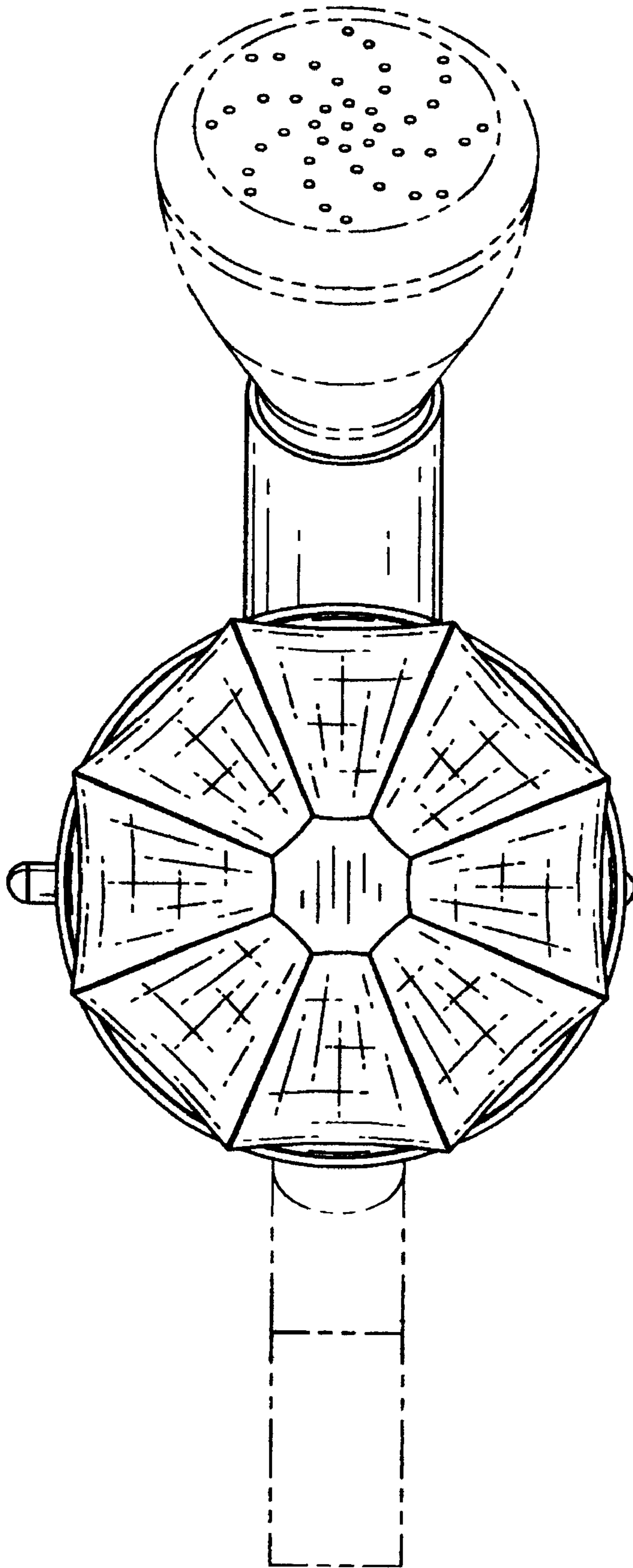


Fig. 7