



US00D536413S

(12) **United States Design Patent** (10) **Patent No.:** **US D536,413 S**
Duston (45) **Date of Patent:** **** Feb. 6, 2007**

(54) **INSECT TRAP**

(75) Inventor: **Tyler D. Duston**, Evanston, IL (US)

(73) Assignee: **S. C. Johnson & Son, Inc.**, Racine, WI (US)

(**) Term: **14 Years**

(21) Appl. No.: **29/237,471**

(22) Filed: **Aug. 31, 2005**

(51) **LOC (8) Cl.** **22-06**

(52) **U.S. Cl.** **D22/122**

(58) **Field of Classification Search** D22/122,
D22/119; 43/107, 128, 131, 122, 132.1, 133;
D30/108, 111-112

See application file for complete search history.

(56) **References Cited**

U.S. PATENT DOCUMENTS

| | | | | | |
|-----------------|---|---------|---------------|-------|---------|
| D359,790 S | * | 6/1995 | Blotnick | | D22/122 |
| D458,702 S | | 6/2002 | Ellis | | D26/68 |
| D467,296 S | * | 12/2002 | Chan | | D22/122 |
| D475,797 S | | 6/2003 | Cheong | | D26/37 |
| D478,958 S | * | 8/2003 | Harris et al. | | D22/122 |
| D484,631 S | | 12/2003 | Chen | | D26/67 |
| D495,817 S | | 9/2004 | Bucher et al. | | D26/67 |
| D500,161 S | | 12/2004 | Bucher et al. | | D26/71 |
| 2004/0040198 A1 | | 3/2004 | Harris et al. | | 43/107 |

OTHER PUBLICATIONS

OFFI PowerPad(TM) Lamp & Lantern, Insect Repellents.

* cited by examiner

Primary Examiner—Catherine R. Oliver

(57) **CLAIM**

The ornamental design for an insect trap, as shown and described.

DESCRIPTION

In a preferred embodiment the nature of this product is as a trap, useful for attracting and/or trapping insects, such as wasps and other flying insects.

FIG. 1 is a right, top, frontal perspective view of an insect trap embodying my new design;

FIG. 2 is a front elevational view thereof, the rear elevational view thereof being a mirror image of the front elevational view shown;

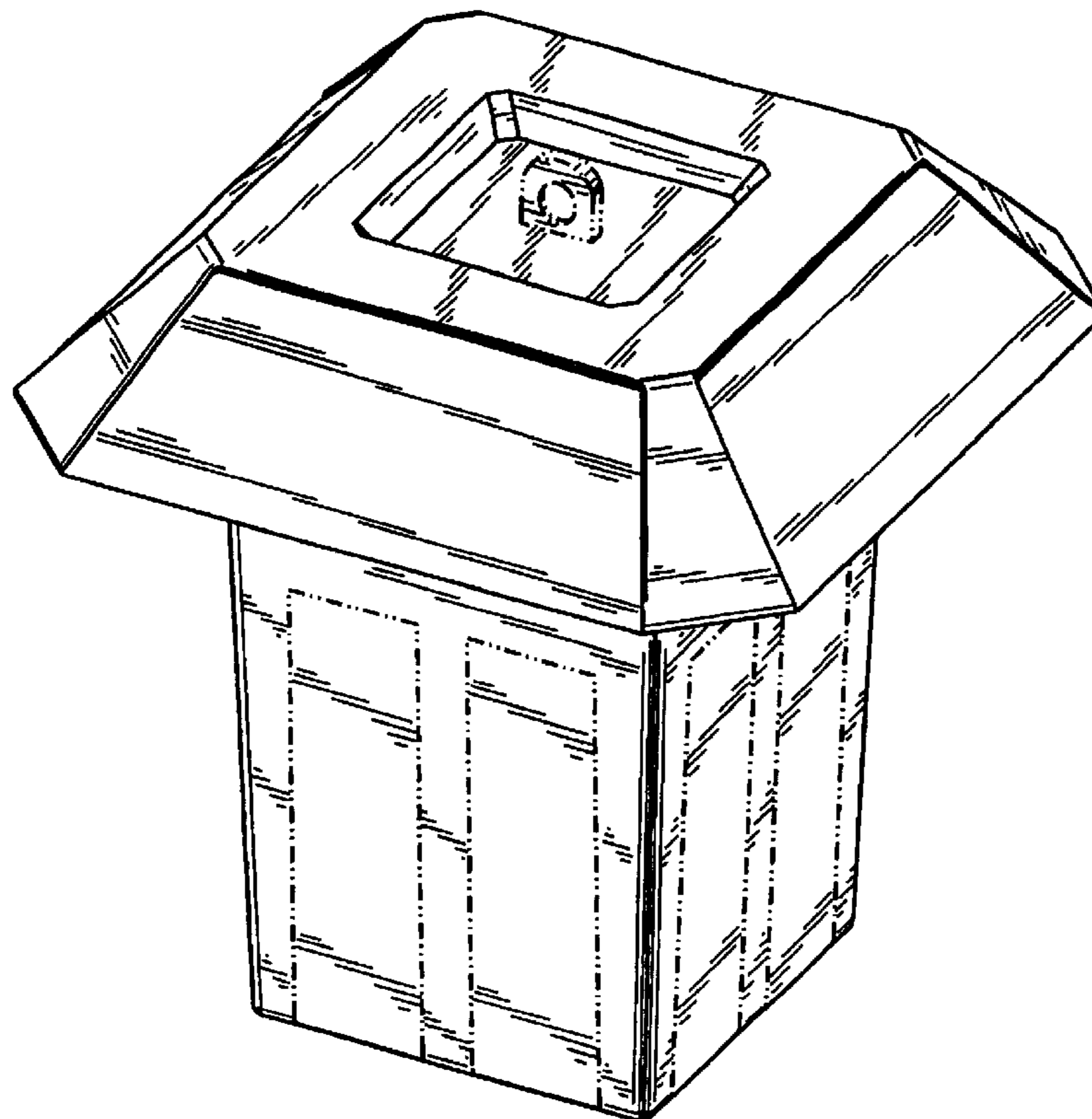
FIG. 3 is a left side elevational view thereof, the right side elevational view thereof being the mirror image thereof;

FIG. 4 is a top plan view thereof; and,

FIG. 5 is a bottom plan view thereof.

The broken line representations of a hanger tab in FIGS. 1-4, and rectangular side wall ornamentations in FIGS. 1-3 and 5, are for purposes of illustration only and form no part of the claimed design.

1 Claim, 3 Drawing Sheets



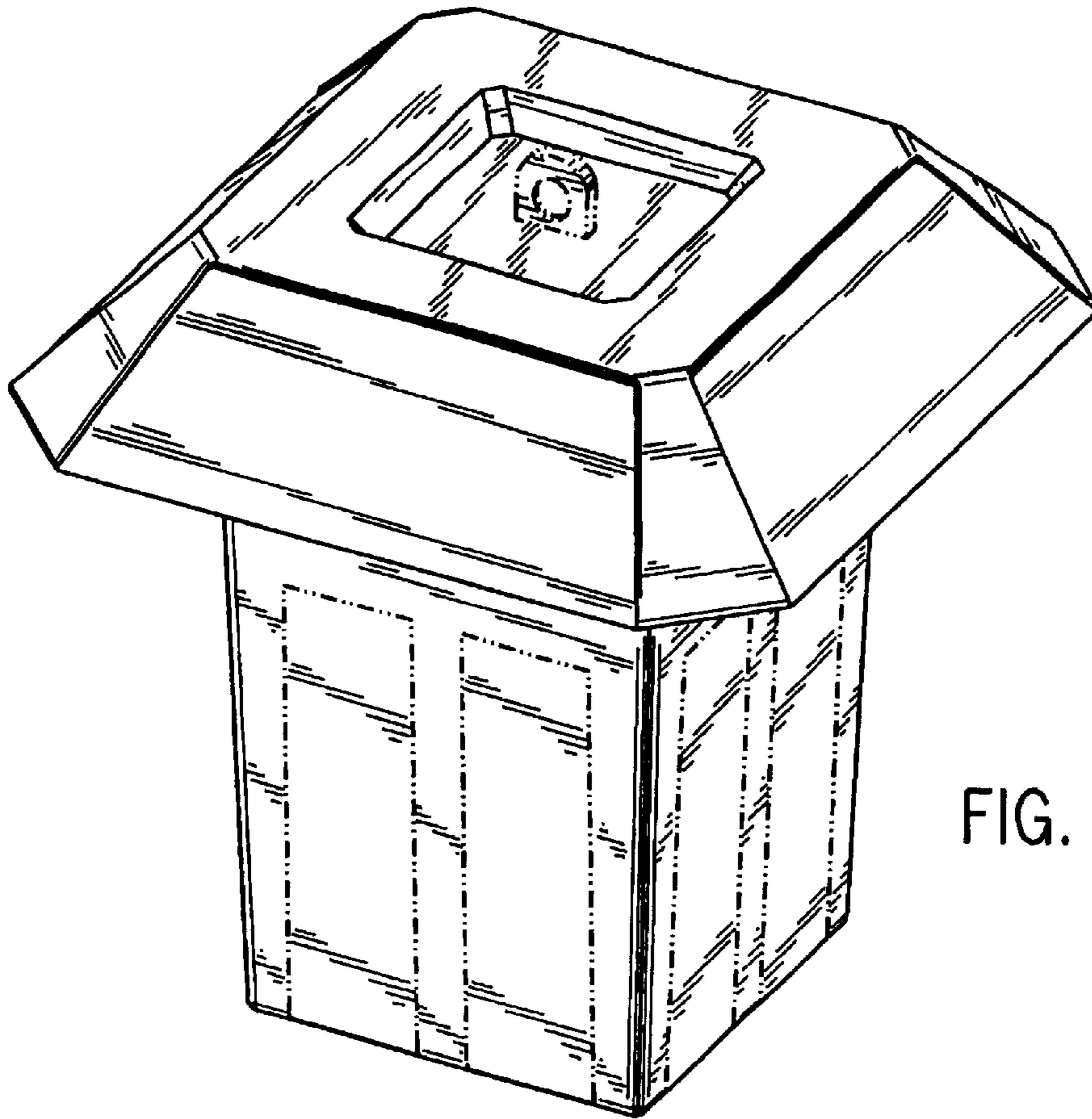


FIG. 1

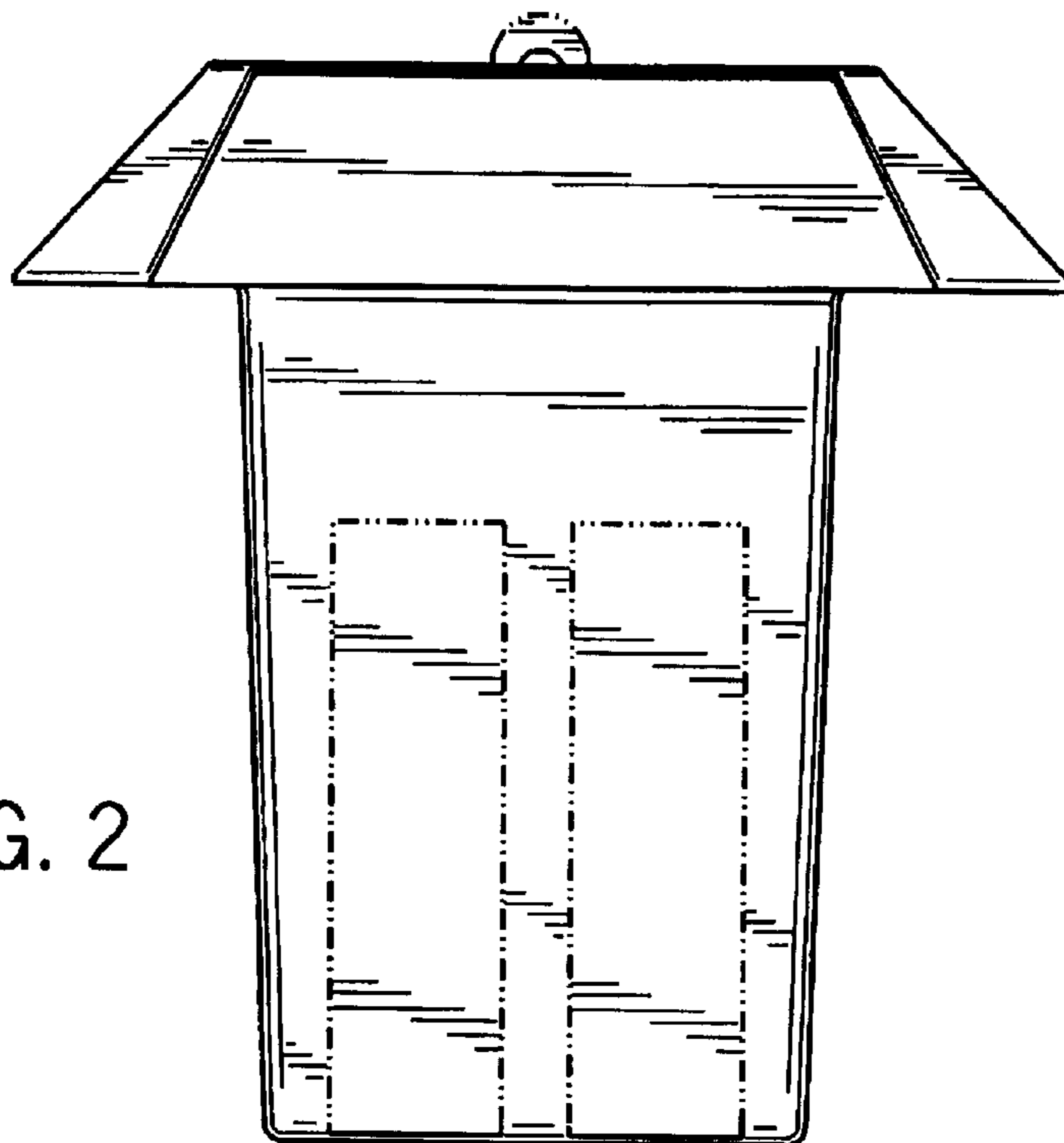


FIG. 2

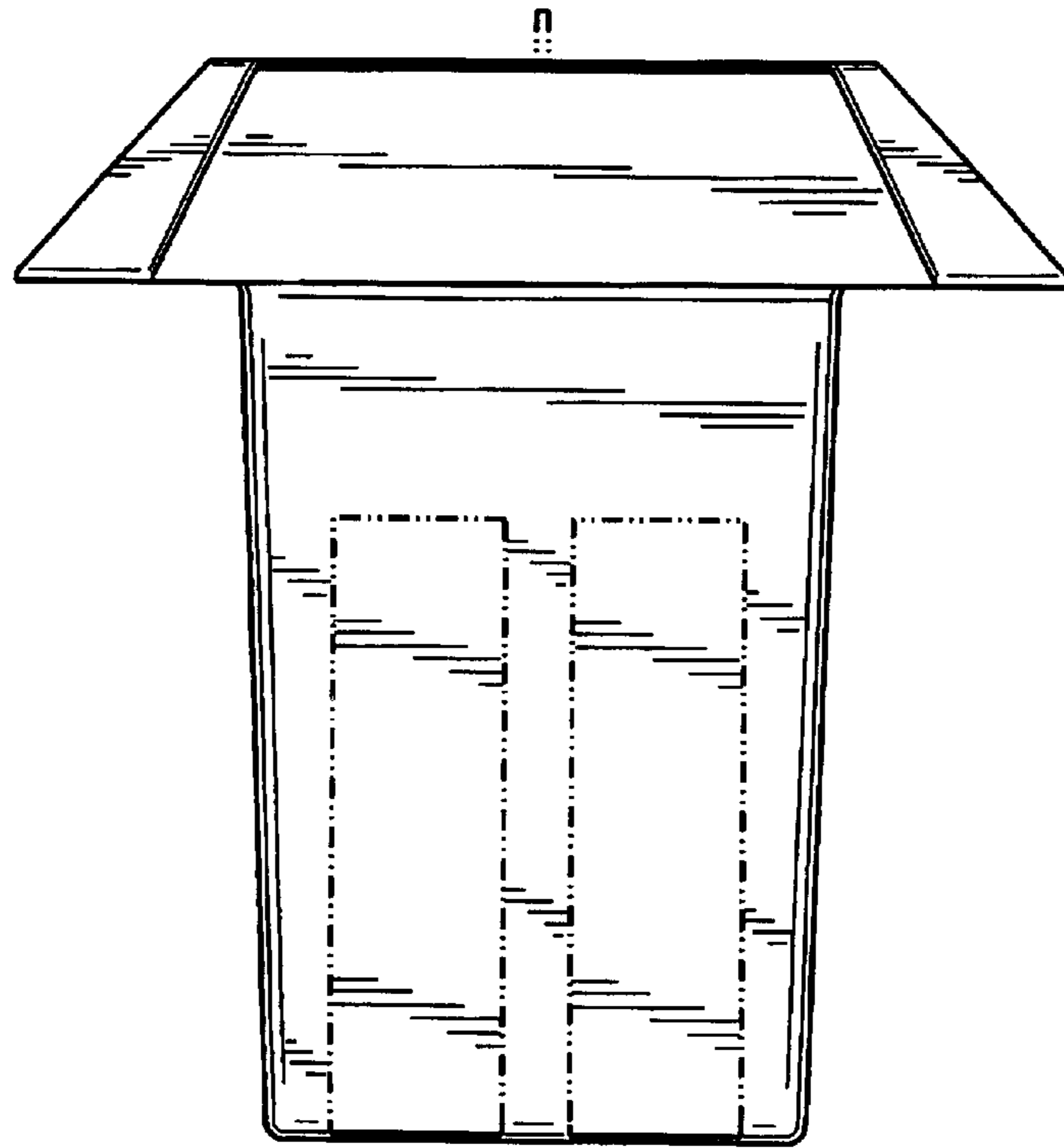


FIG. 3

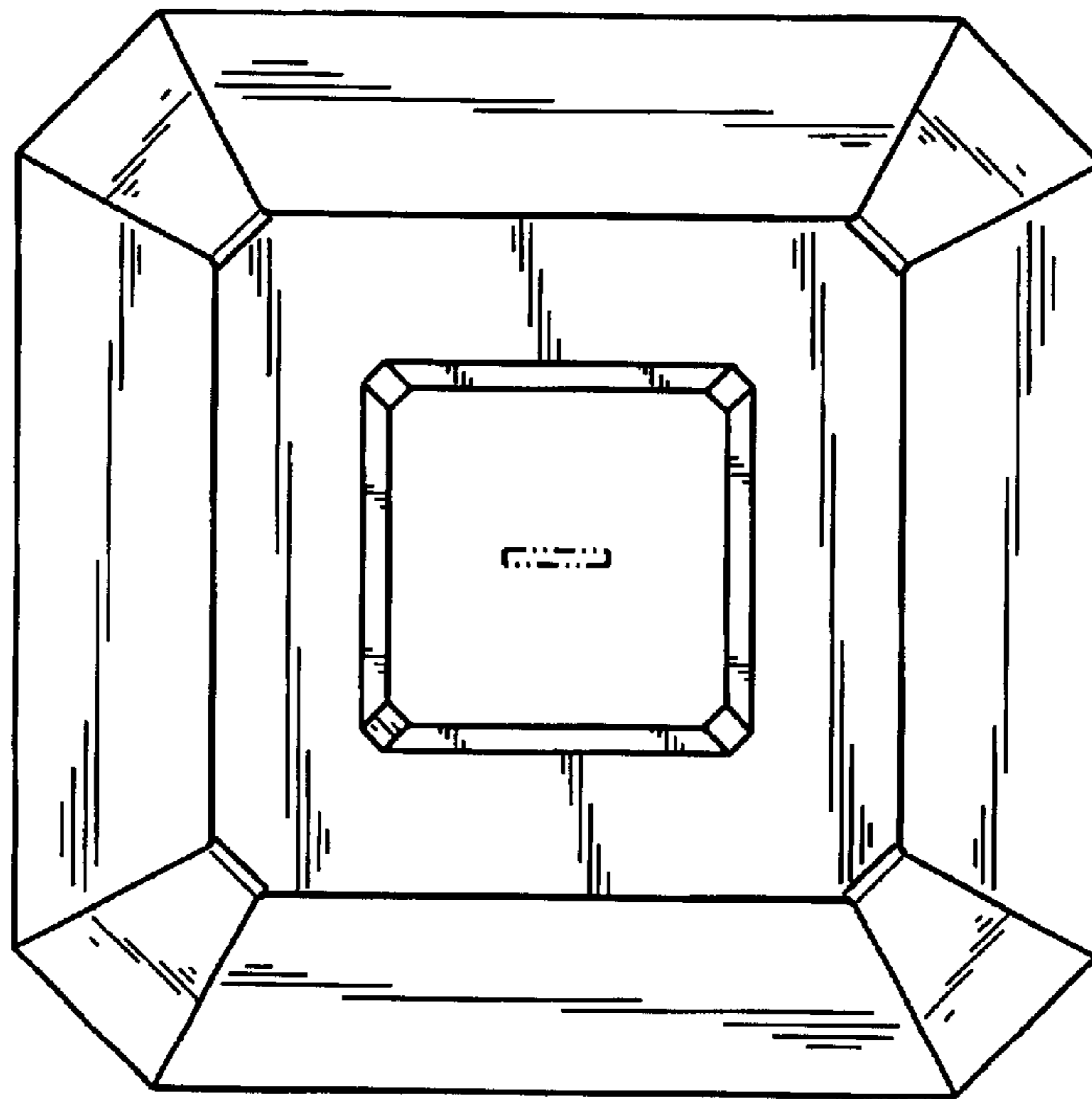


FIG. 4

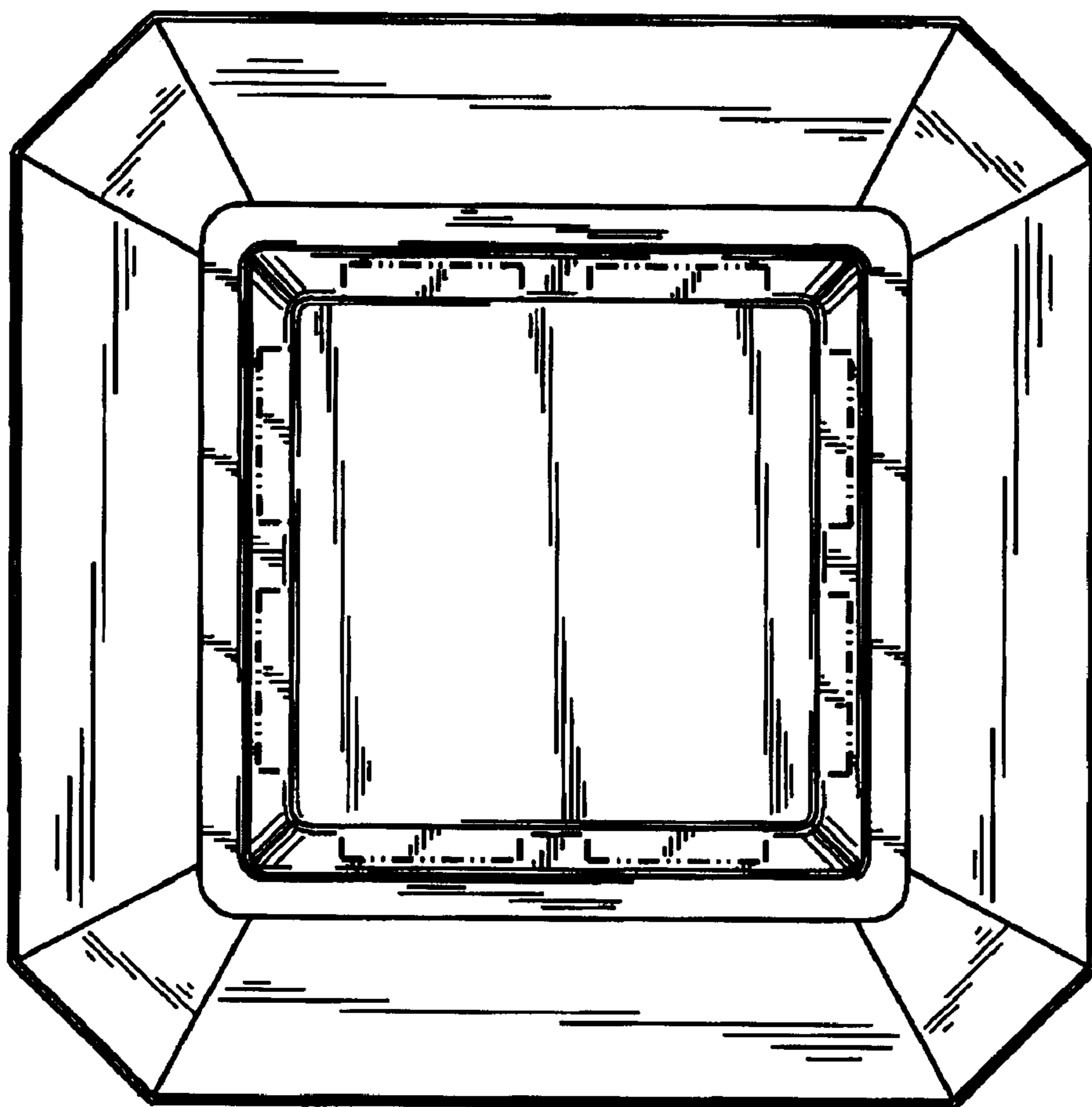


FIG. 5