



US00D536400S

(12) **United States Design Patent** (10) **Patent No.:** **US D536,400 S**
DiBattista, Sr. (45) **Date of Patent:** **** *Feb. 6, 2007**

(54) **GOLF PUTTER HEAD**

(75) Inventor: **John DiBattista, Sr.**, Elizabeth, PA (US)

(73) Assignee: **JD Product Design, Inc.**, Elizabeth, PA (US)

(*) Notice: This patent is subject to a terminal disclaimer.

(**) Term: **14 Years**

(21) Appl. No.: **29/223,932**

(22) Filed: **Feb. 22, 2005**

(51) **LOC (8) Cl.** **21-02**

(52) **U.S. Cl.** **D21/736**

(58) **Field of Classification Search** D21/736-746;
473/324-331, 340, 341, 285, 286
See application file for complete search history.

(56) **References Cited**

U.S. PATENT DOCUMENTS

3,632,112	A	*	1/1972	Jacobs	473/286
4,248,430	A	*	2/1981	Kepler	473/285
4,580,784	A	*	4/1986	Brill	473/286
D291,908	S	*	9/1987	Glennon et al.	D21/739
D324,556	S	*	3/1992	Guerin, Sr.	D21/741
D326,302	S	*	5/1992	Guerin, Sr.	D21/741
D366,081	S	*	1/1996	Patten	D21/743

D378,844	S		4/1997	Shine	
5,692,968	A		12/1997	Shine	
D408,878	S	*	4/1999	Patten D21/743
D478,642	S	*	8/2003	Spino D21/736
D496,972	S	*	10/2004	Higbee D21/736
D499,154	S	*	11/2004	D'Agguano D21/736

* cited by examiner

Primary Examiner—Mitchell Siegel
(74) *Attorney, Agent, or Firm*—Hankin Patent Law, A Professional Corporation; Marc E. Hankin

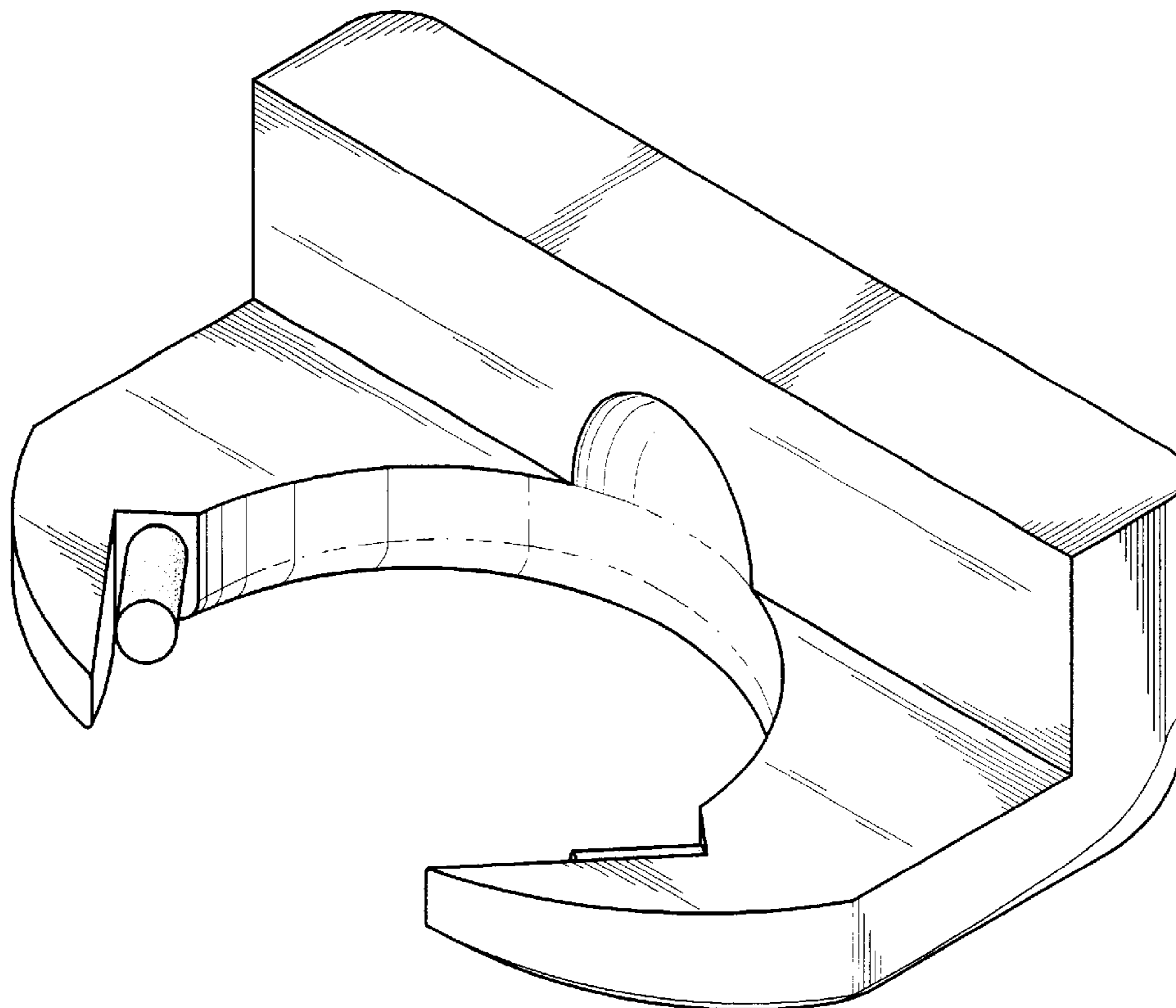
(57) **CLAIM**

The ornamental design for a golf putter head, as shown and described.

DESCRIPTION

FIG. 1 is a perspective view of a golf putter head showing the new design.
 FIG. 2 is a side view of a golf putter head showing the new design.
 FIG. 3 is a rear view of a golf putter head showing the new design.
 FIG. 4 is a front view of a golf putter head showing the new design.
 FIG. 5 is a top view of a golf putter head showing the new design; and,
 FIG. 6 is a bottom view of a golf putter head showing the new design.

1 Claim, 3 Drawing Sheets



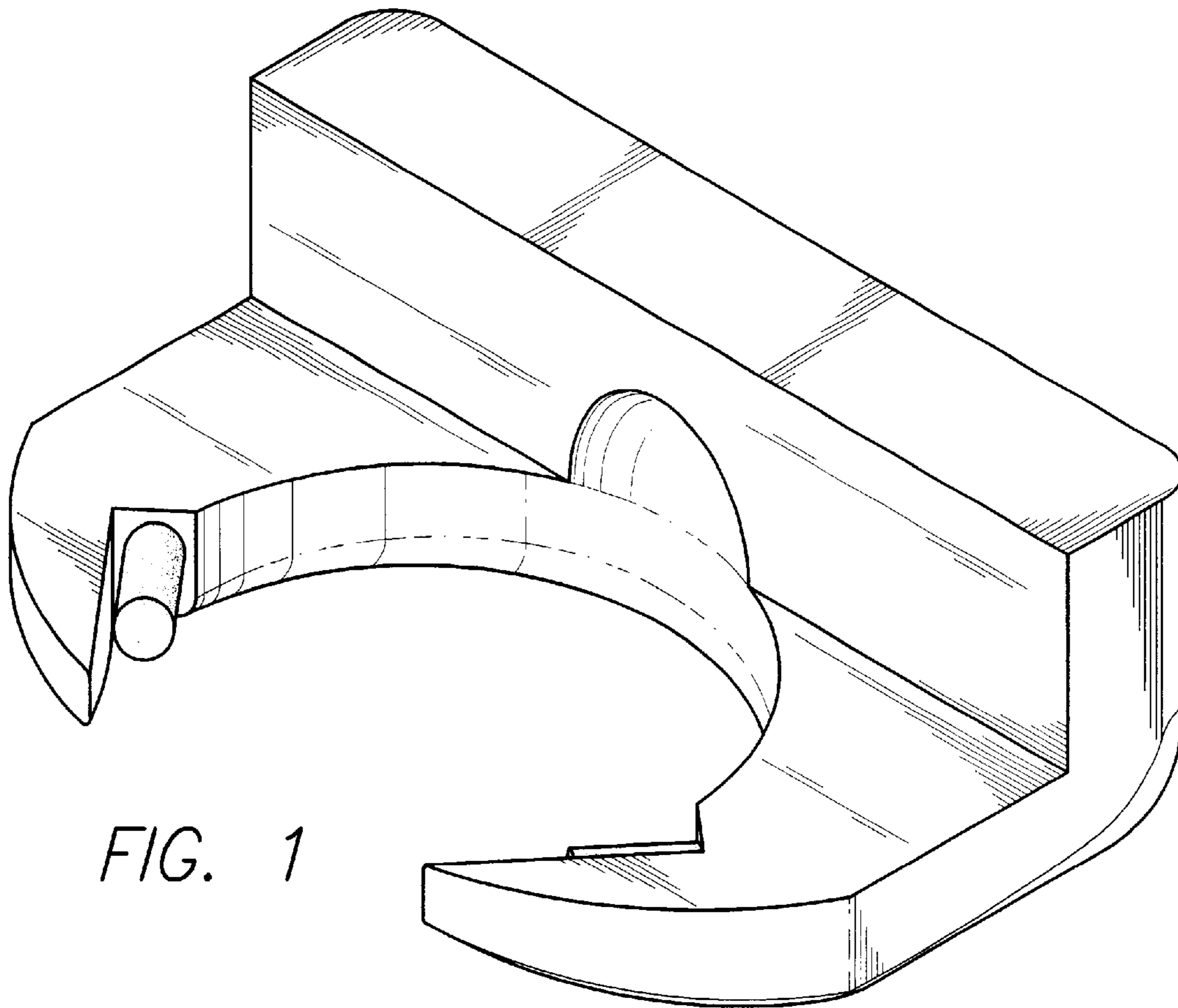


FIG. 1

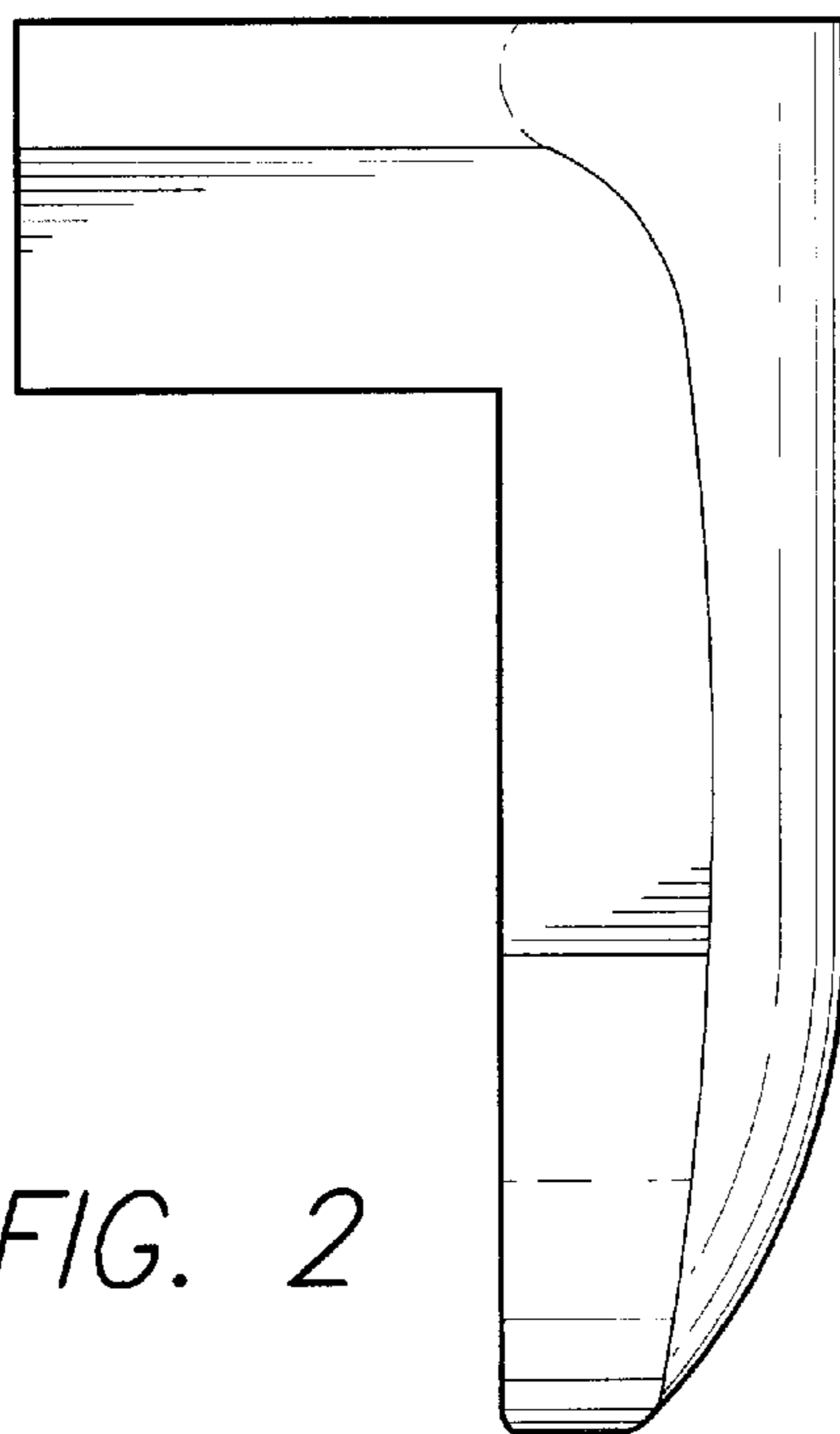


FIG. 2

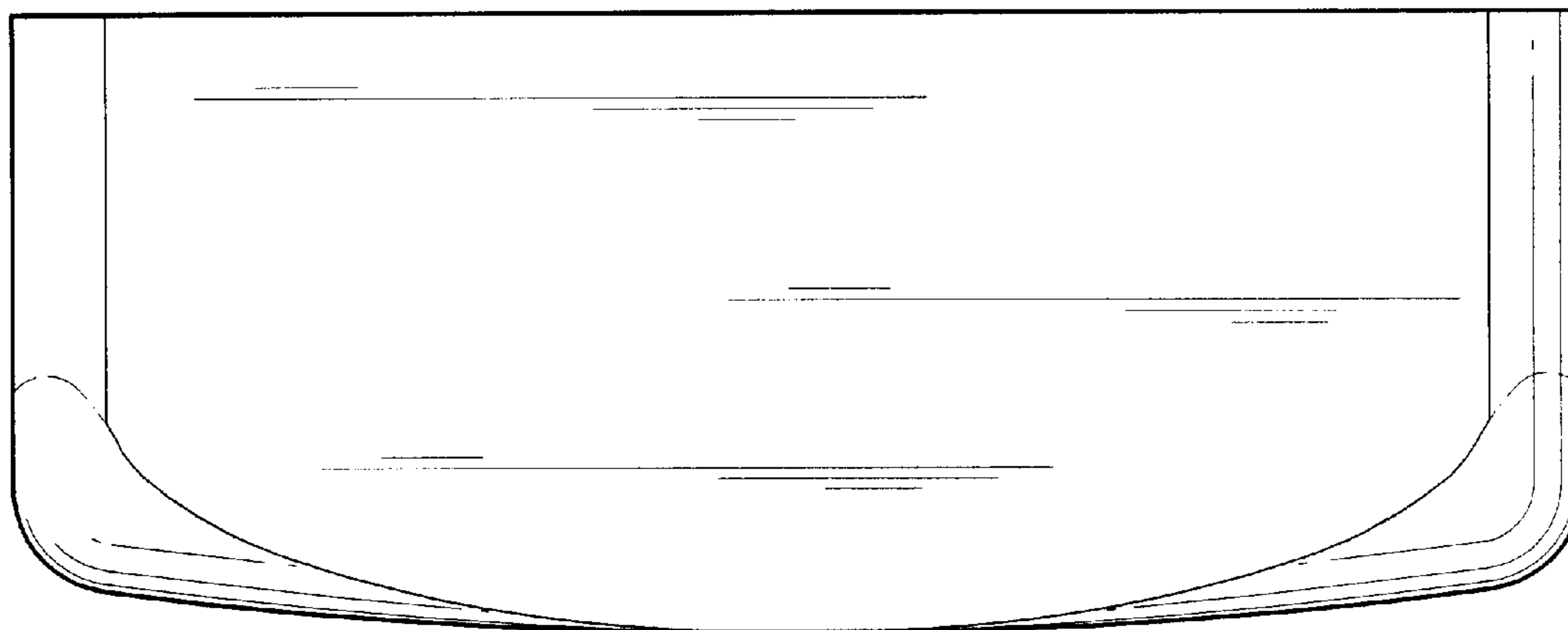


FIG. 3

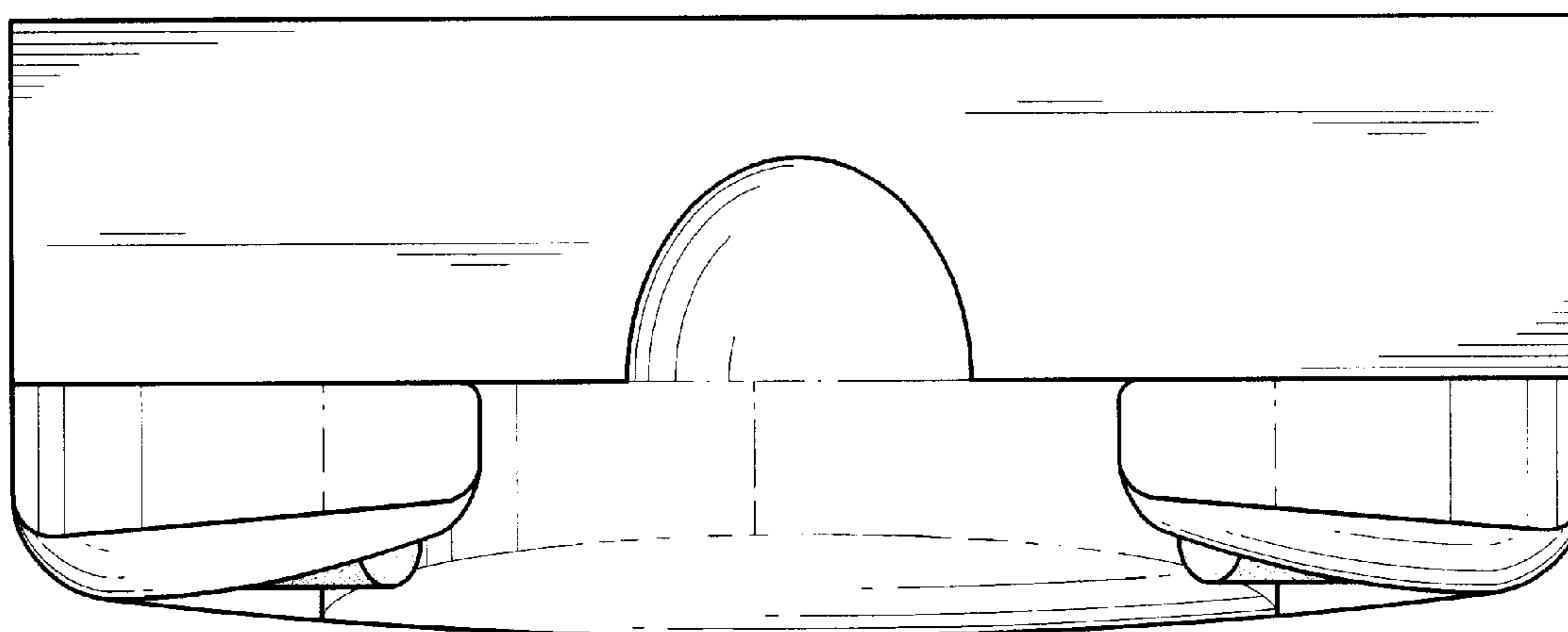


FIG. 4

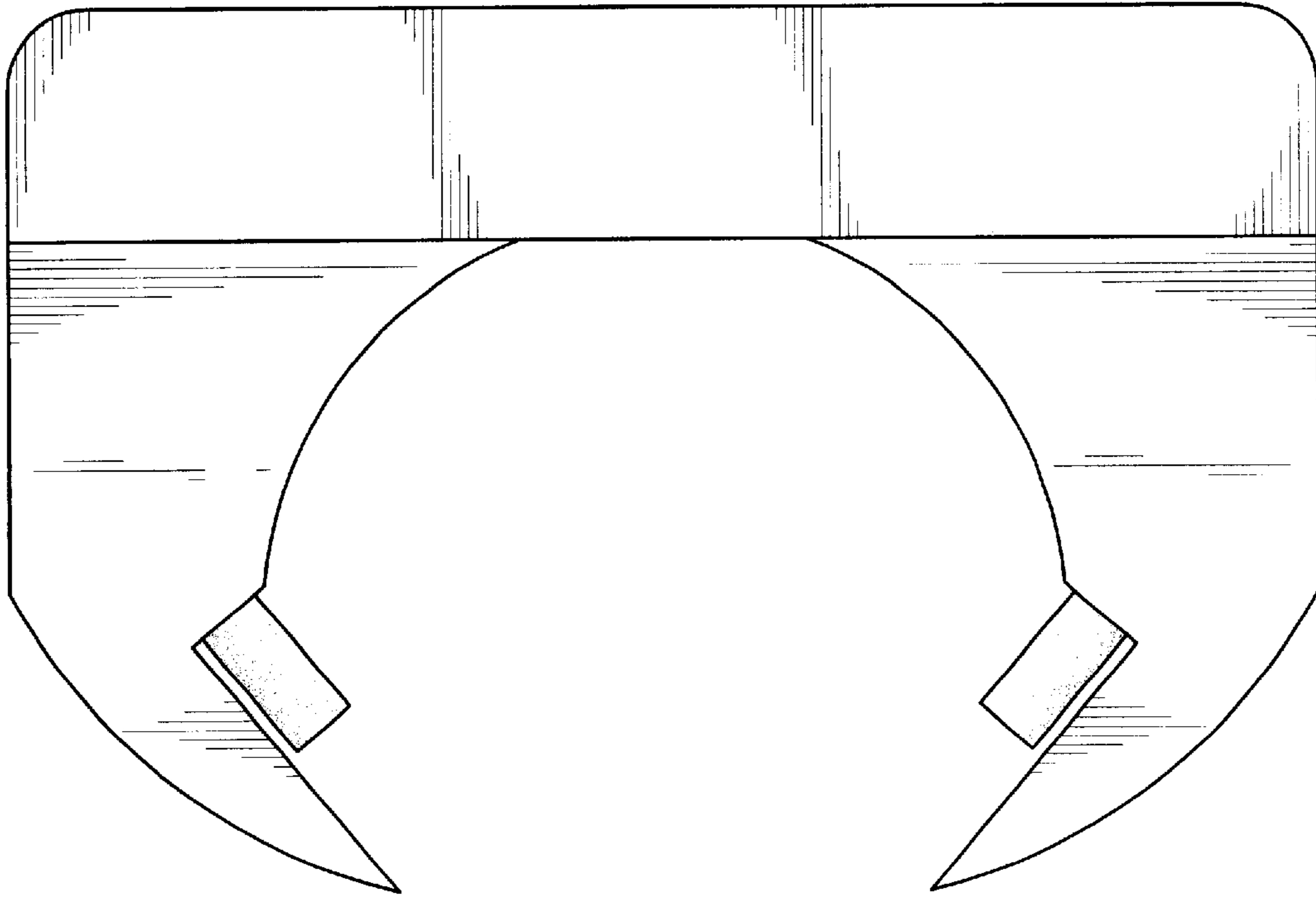


FIG. 5

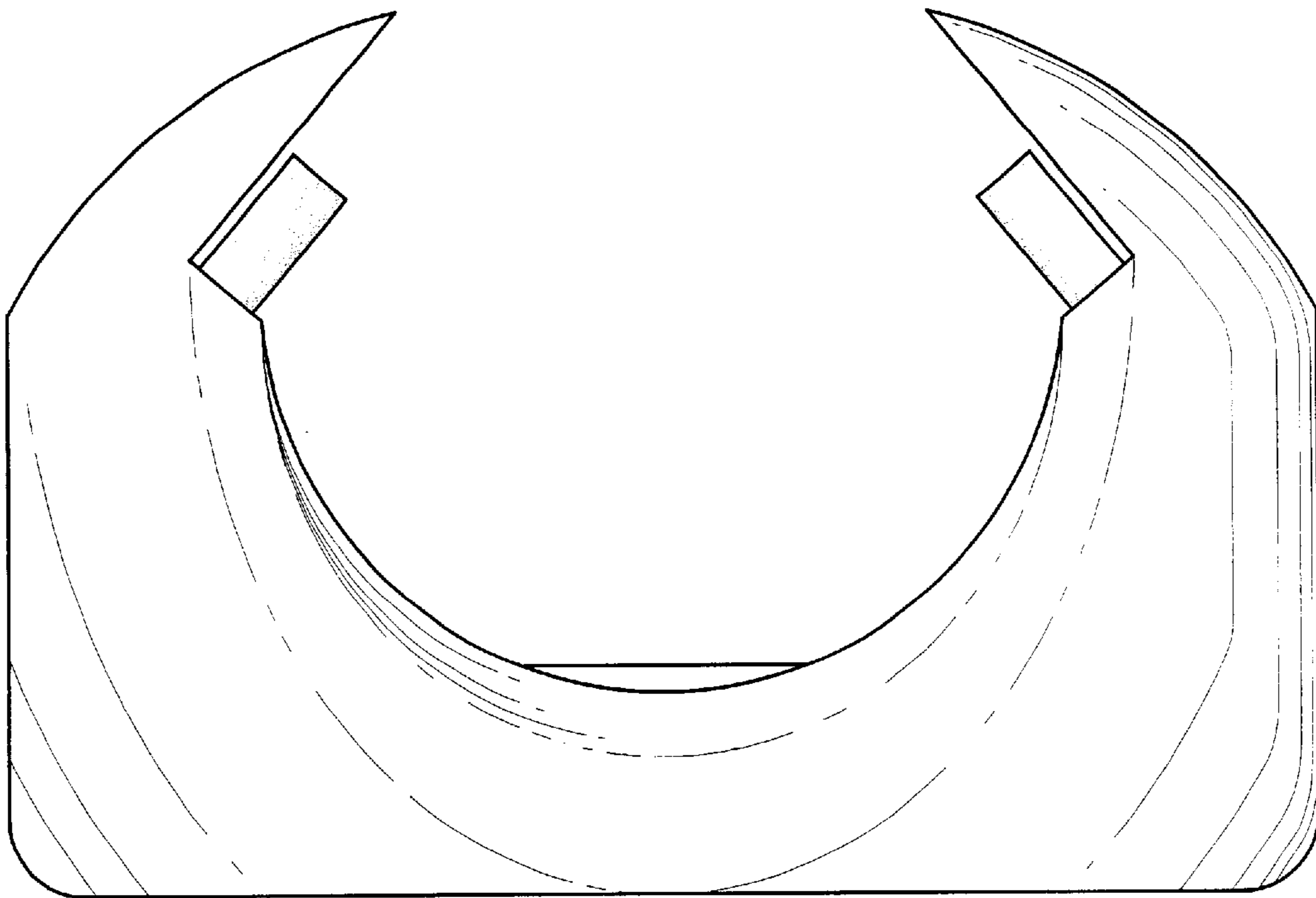


FIG. 6