



US00D536399S

(12) **United States Design Patent**  
**Chen**

(10) **Patent No.:** **US D536,399 S**

(45) **Date of Patent:** **\*\* Feb. 6, 2007**

(54) **ELECTRIC PAINTBALL FEED HOPPER FOR PAINTGUNS**

D509,141 S \* 9/2005 Walsh et al. .... D9/516  
6,948,487 B2 \* 9/2005 Rice et al. .... 124/32  
D513,990 S \* 1/2006 Archeny ..... D9/523

(75) Inventor: **I-Chun Chen**, Sanchong (TW)

\* cited by examiner

(73) Assignee: **Speed Paintball Co., Ltd.**, Taipei County (TW)

*Primary Examiner*—Holly H. Baynham

*Assistant Examiner*—Cynthia M. Chin

(\*\*) Term: **14 Years**

(74) *Attorney, Agent, or Firm*—Troxell Law Office, PLLC

(21) Appl. No.: **29/241,842**

(57) **CLAIM**

(22) Filed: **Nov. 2, 2005**

The ornamental design for a electric paintball feed hopper for paintguns, as shown and described.

(51) **LOC (8) Cl.** ..... **21-01**

**DESCRIPTION**

(52) **U.S. Cl.** ..... **D21/573**

(58) **Field of Classification Search** ..... D21/570–574;  
D22/100, 101, 103, 108, 109; 124/32, 41.1,  
124/45, 49, 51.1, 55, 56, 65, 70–74, 77  
See application file for complete search history.

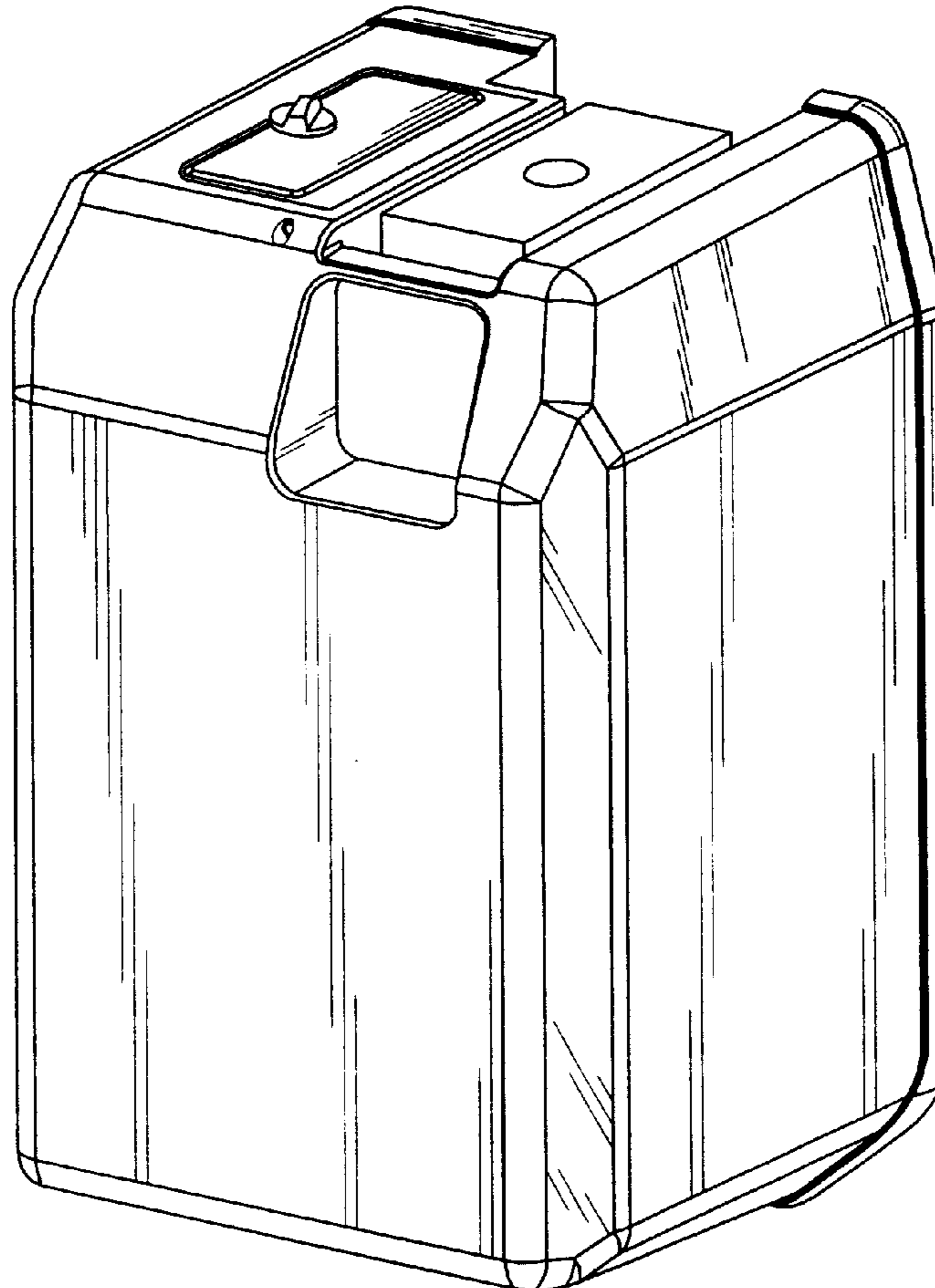
FIG. 1 is a perspective view of a electric paintball feed hopper for paintguns;  
FIG. 2 is a front view thereof;  
FIG. 3 is a back view thereof;  
FIG. 4 is a left side view thereof;  
FIG. 5 is a right side view thereof;  
FIG. 6 is a top view thereof; and,  
FIG. 7 is a bottom view thereof.

(56) **References Cited**

**U.S. PATENT DOCUMENTS**

6,109,252 A \* 8/2000 Stevens ..... 124/51.1  
D464,887 S \* 10/2002 Sherwell ..... D9/516

**1 Claim, 7 Drawing Sheets**



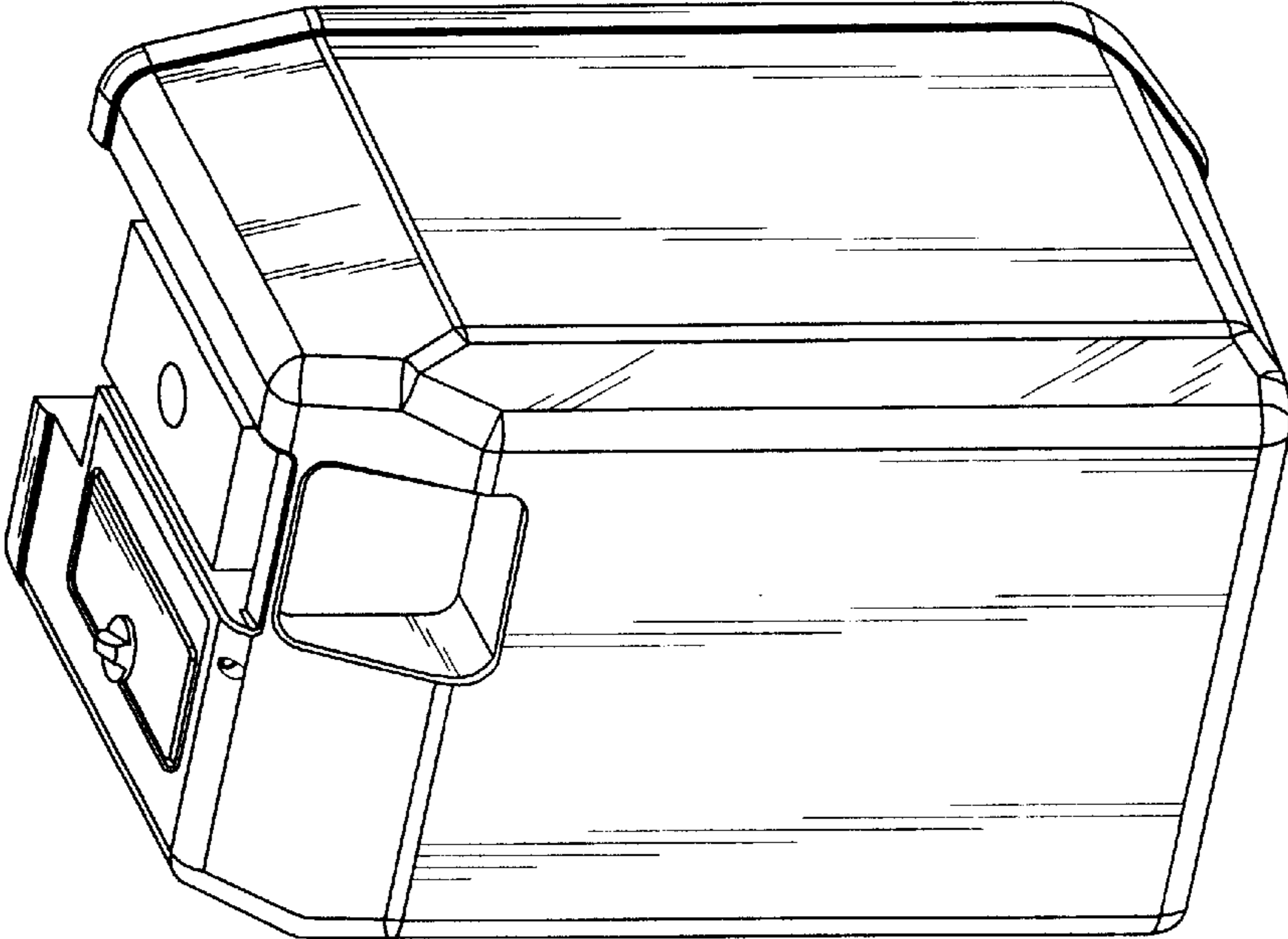


FIG. 1

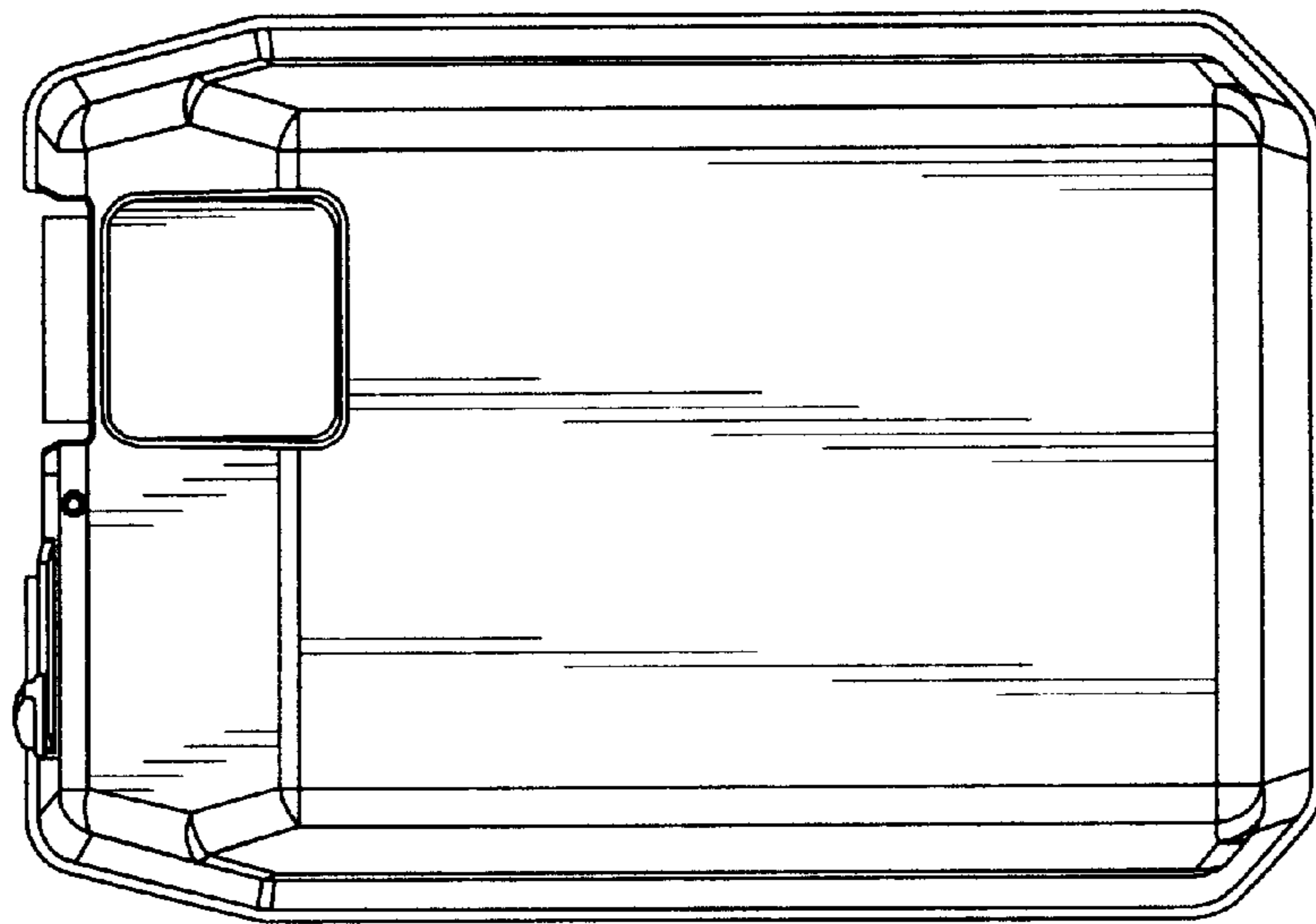


FIG. 2

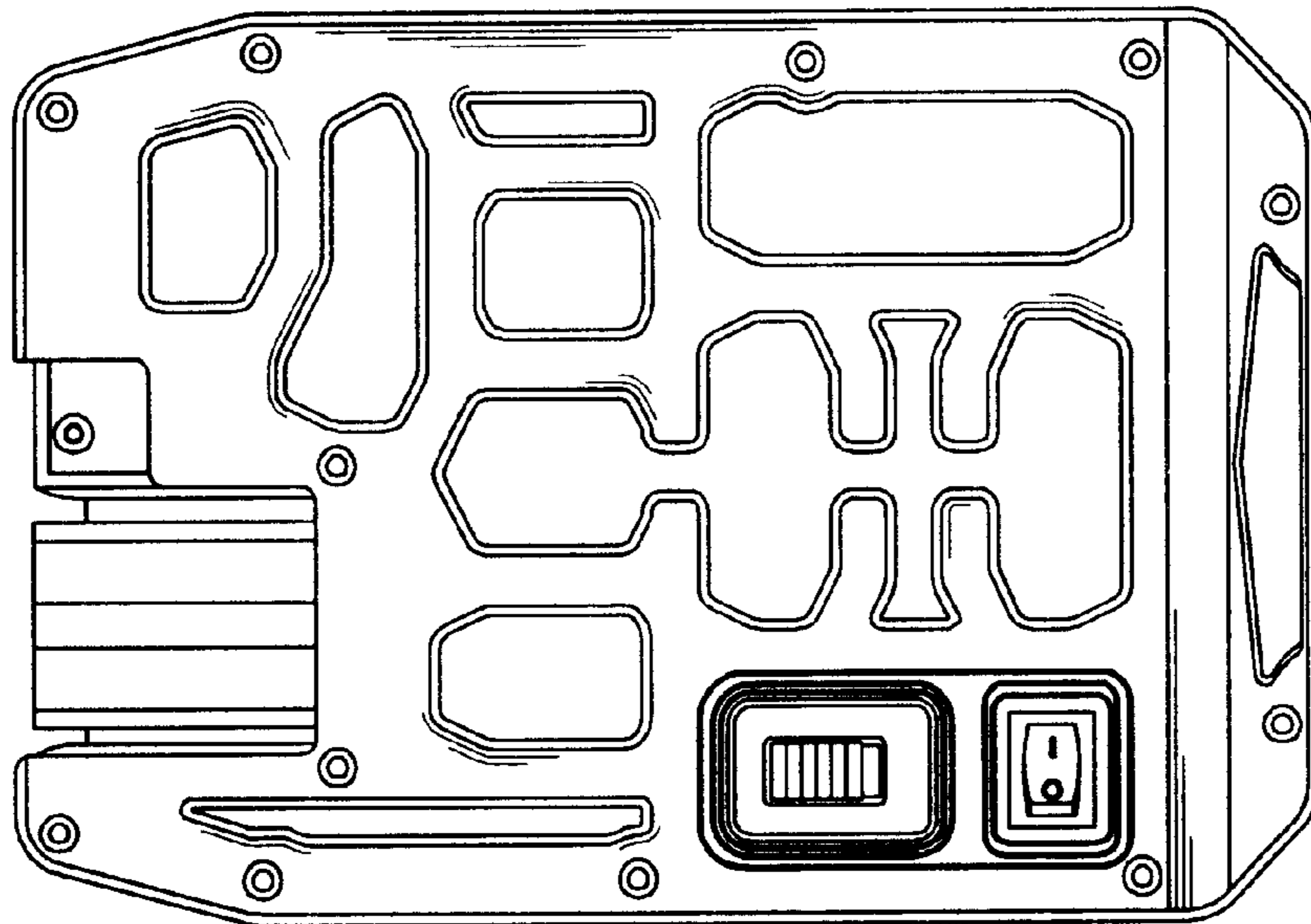


FIG. 3

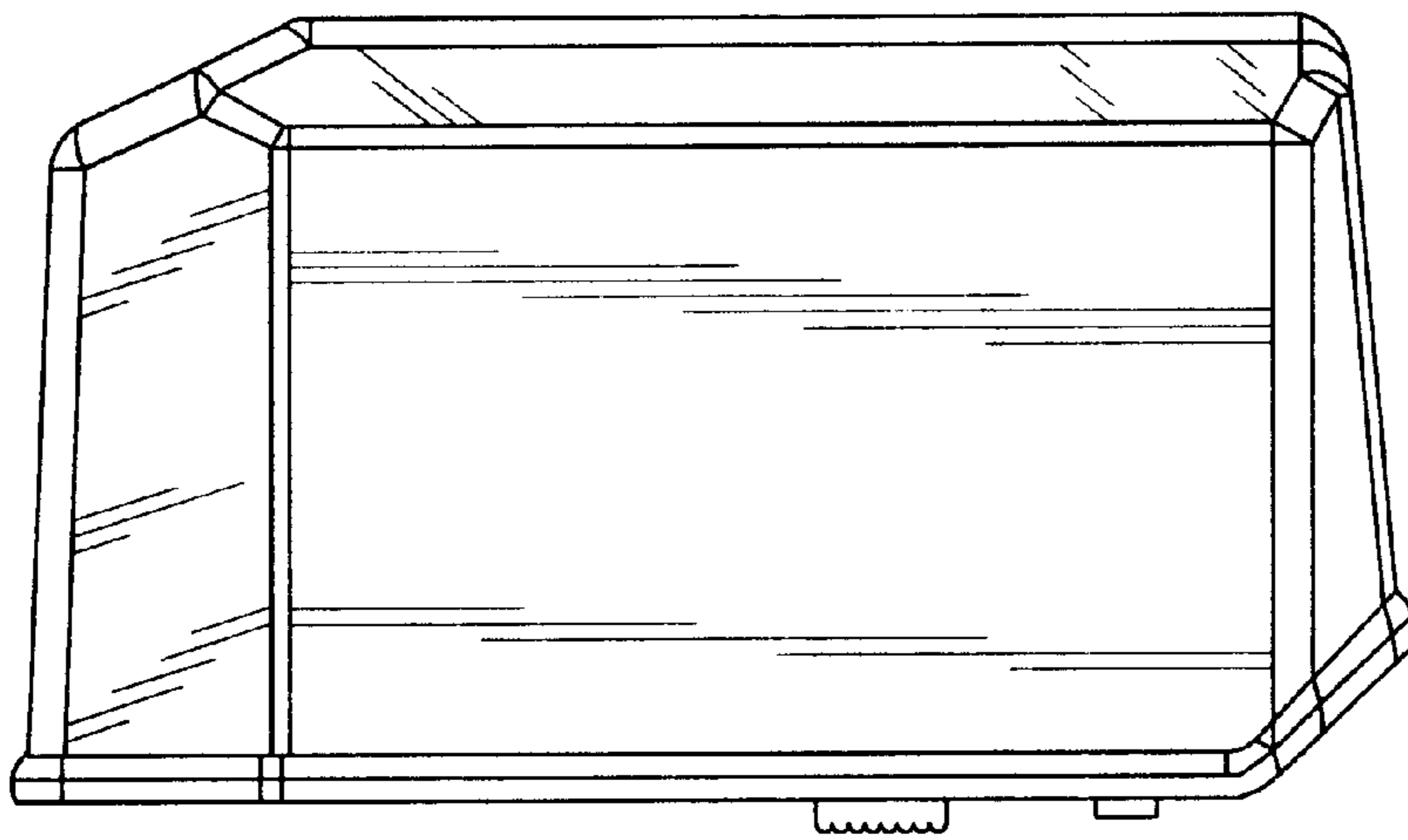


FIG. 4

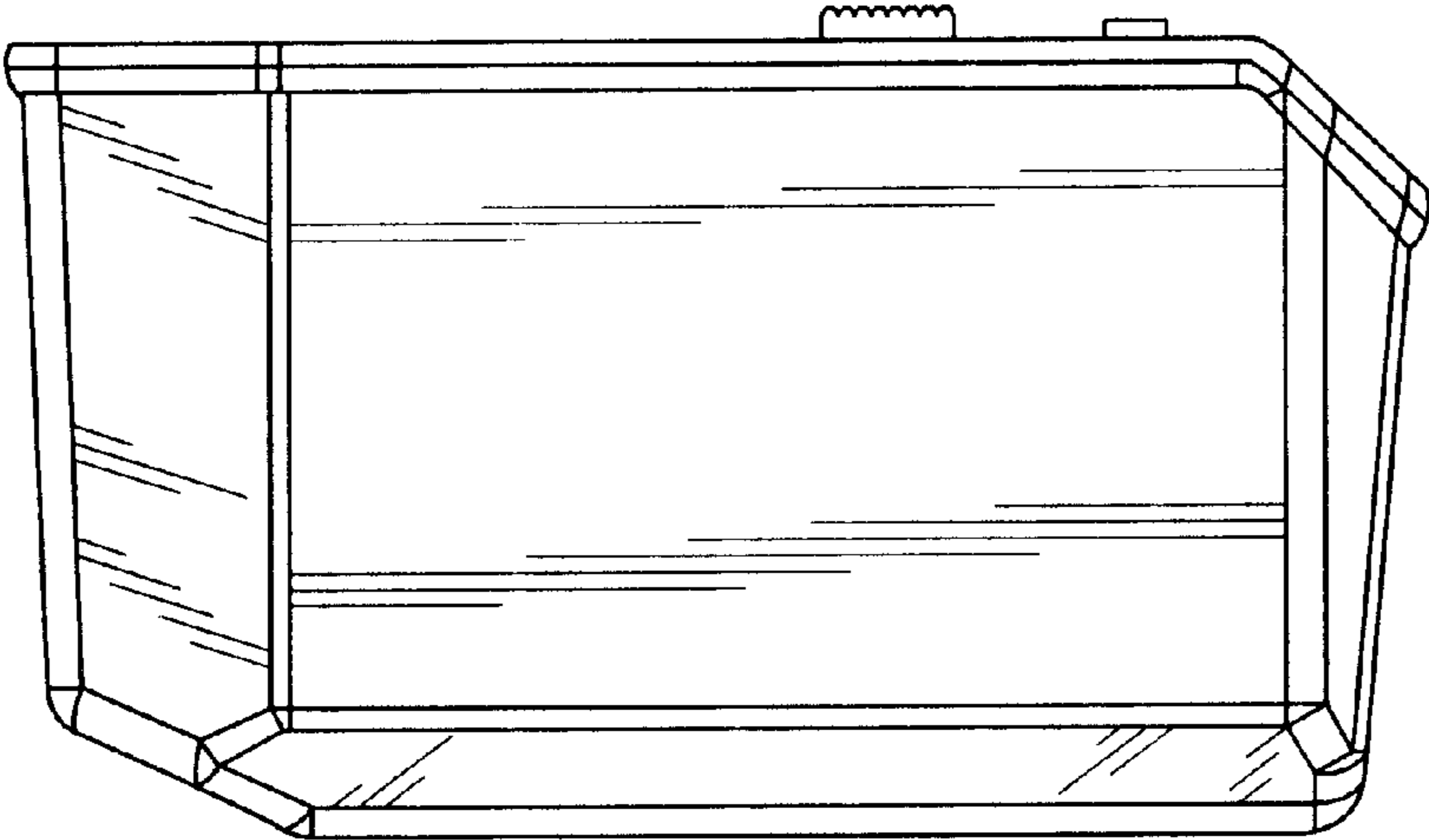


FIG. 5

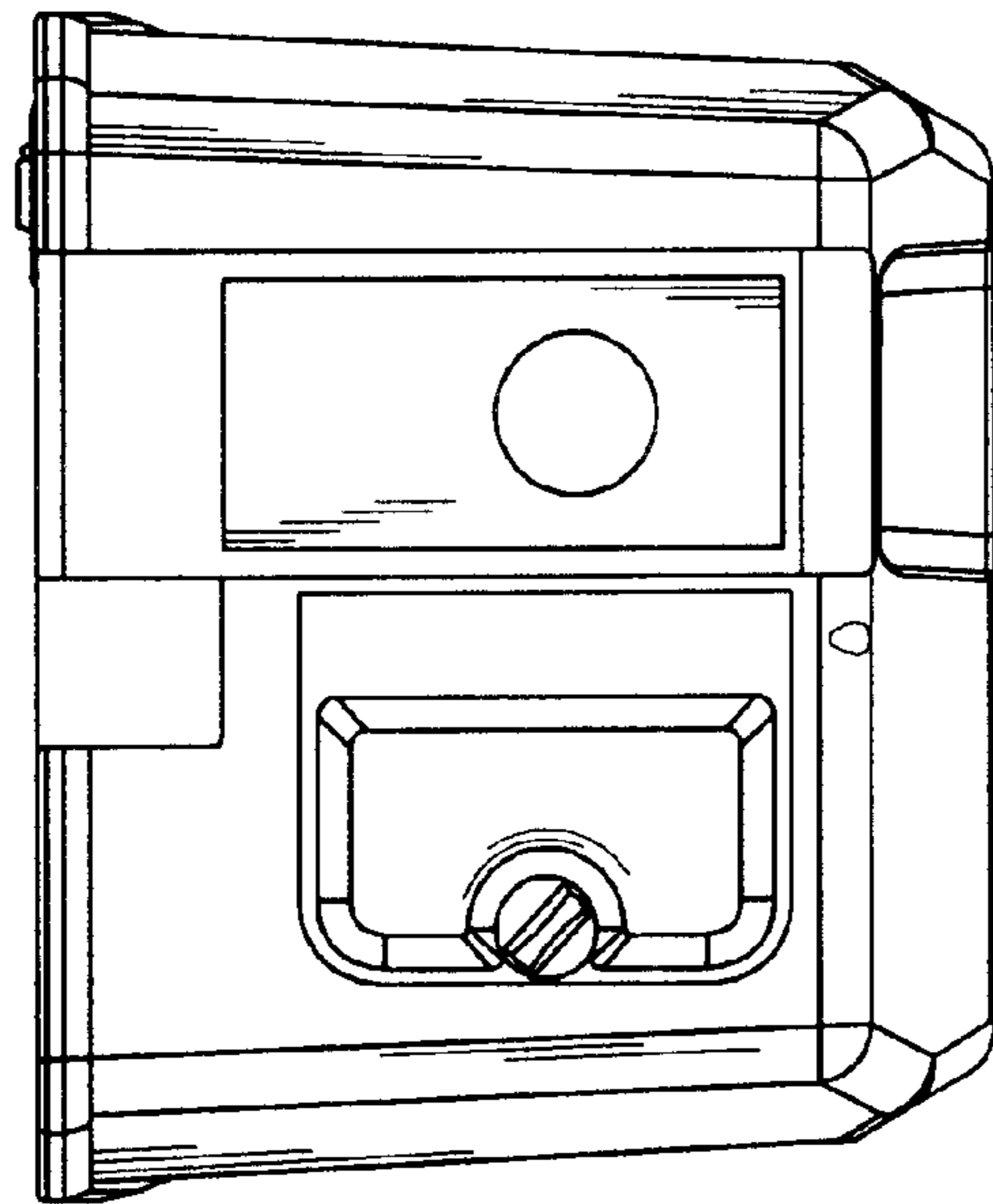


FIG. 6

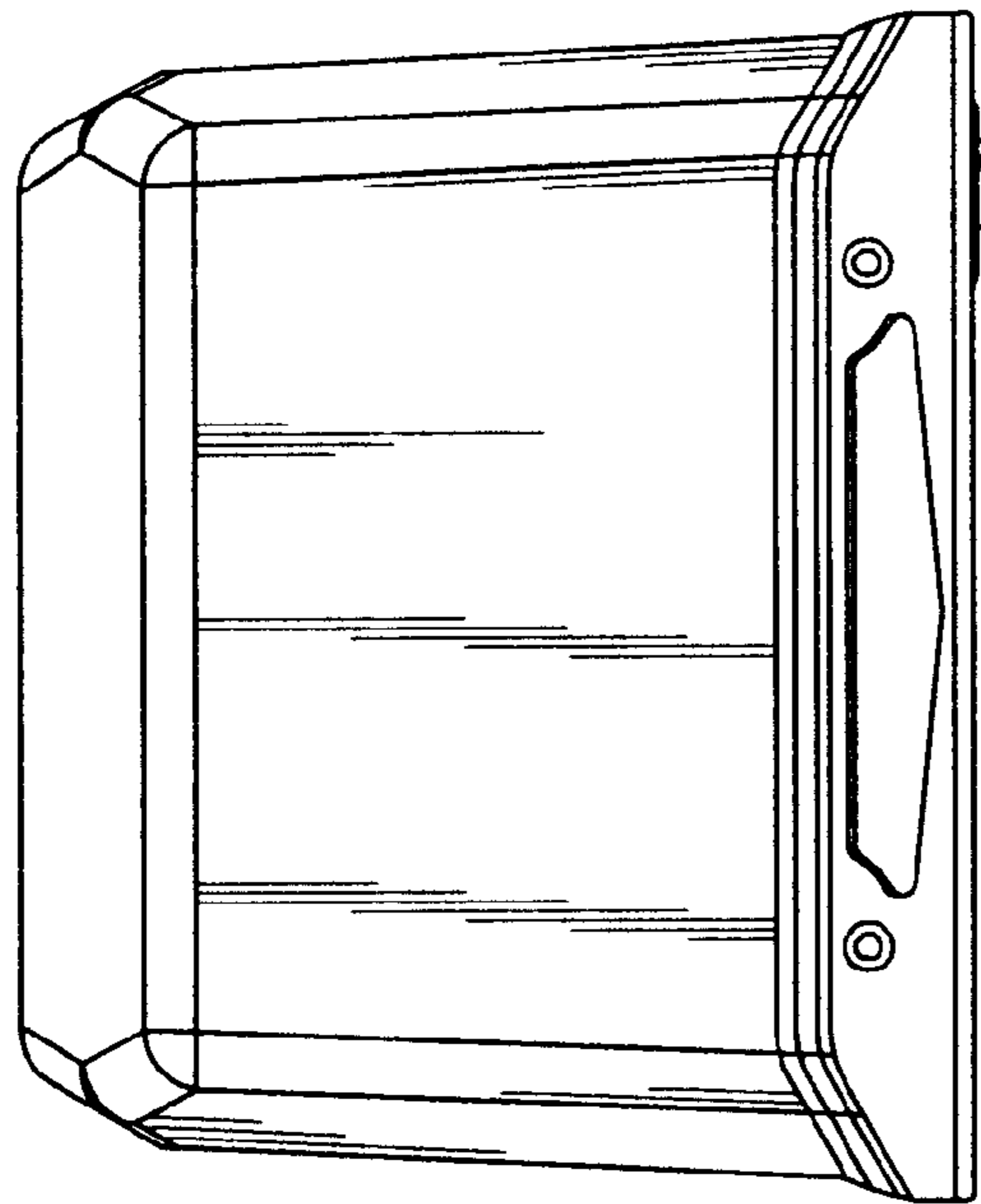


FIG. 7