



US00D536394S

(12) **United States Design Patent**  
**Meoli et al.**

(10) **Patent No.:** **US D536,394 S**

(45) **Date of Patent:** **\*\* Feb. 6, 2007**

(54) **POKER TABLE**

(76) Inventors: **Rudy Meoli**, 8150 E. Oak Ridge Cir.,  
Anaheim Hills, CA (US) 92808; **Izumi**  
**Satoshi**, 001-0051 Room 1806, Tokyo  
Parktower, 1-103, Jinbocho, Kanda,  
Tokyo (JP)

(\*\*) **Term:** **14 Years**

(21) **Appl. No.:** **29/239,908**

(22) **Filed:** **Oct. 5, 2005**

(51) **LOC (8) Cl.** ..... **21-01**

(52) **U.S. Cl.** ..... **D21/397; D6/429; D6/487**

(58) **Field of Classification Search** ..... D6/429,  
D6/469, 480, 487, 511; D21/334-369, 385,  
D21/392-397; 273/236-288, 148 R, 309;  
108/25, 146, 147.19, 127-129

See application file for complete search history.

(56) **References Cited**

**U.S. PATENT DOCUMENTS**

2,555,547 A \* 6/1951 Kelleghan ..... 108/25  
3,049,387 A \* 8/1962 Schlegel ..... 108/127

D204,390 S \* 4/1966 Bodicky ..... D21/397  
4,041,880 A \* 8/1977 Schankman ..... 273/309  
D437,145 S \* 2/2001 Leng ..... D6/429  
D498,088 S \* 11/2004 Tsang ..... D6/429  
D521,570 S \* 5/2006 Tsai ..... D21/397

\* cited by examiner

*Primary Examiner*—Sandra L. Morris

(74) *Attorney, Agent, or Firm*—Philip T. Virga

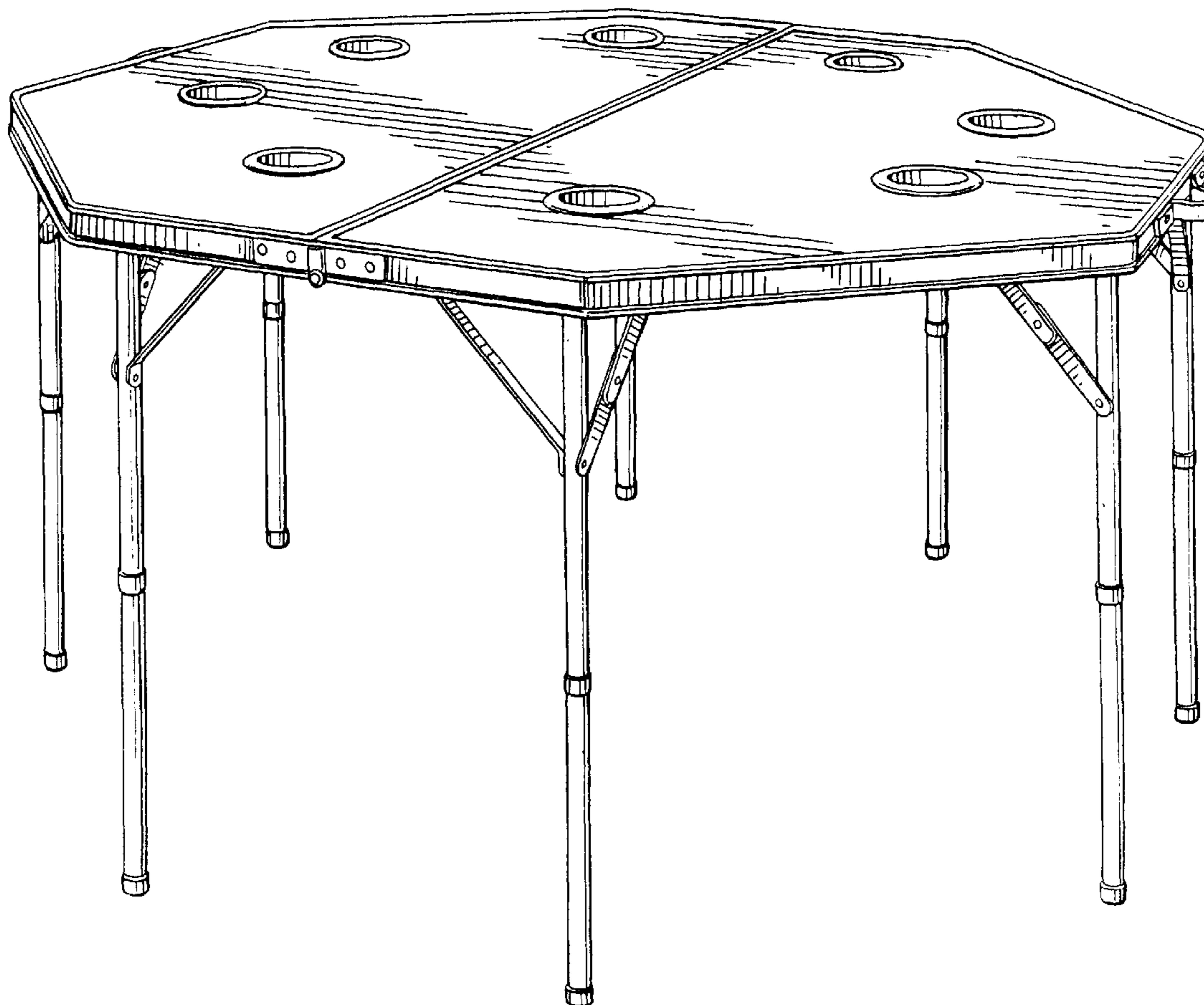
(57) **CLAIM**

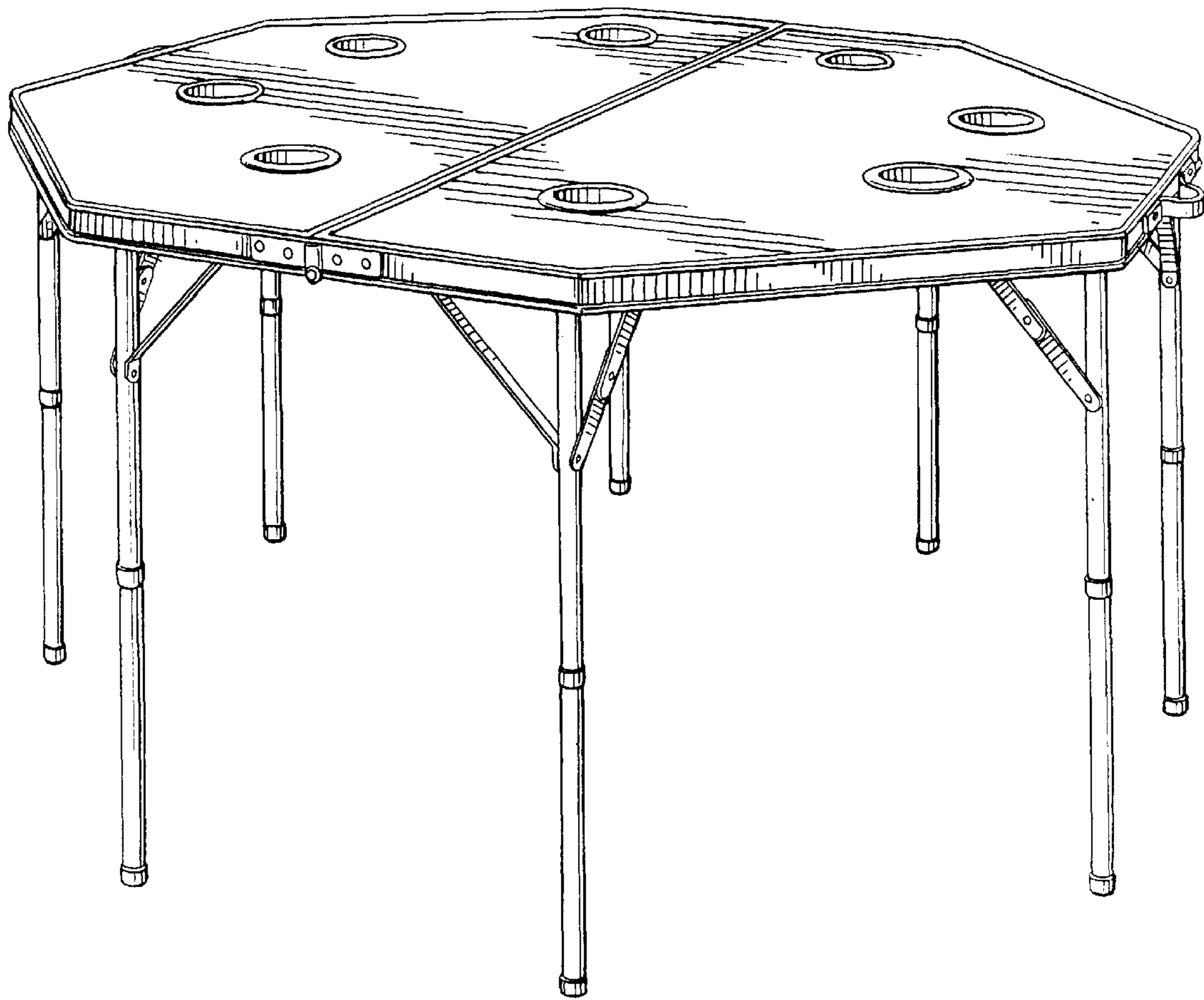
The ornamental design for a poker table, as substantially shown and described.

**DESCRIPTION**

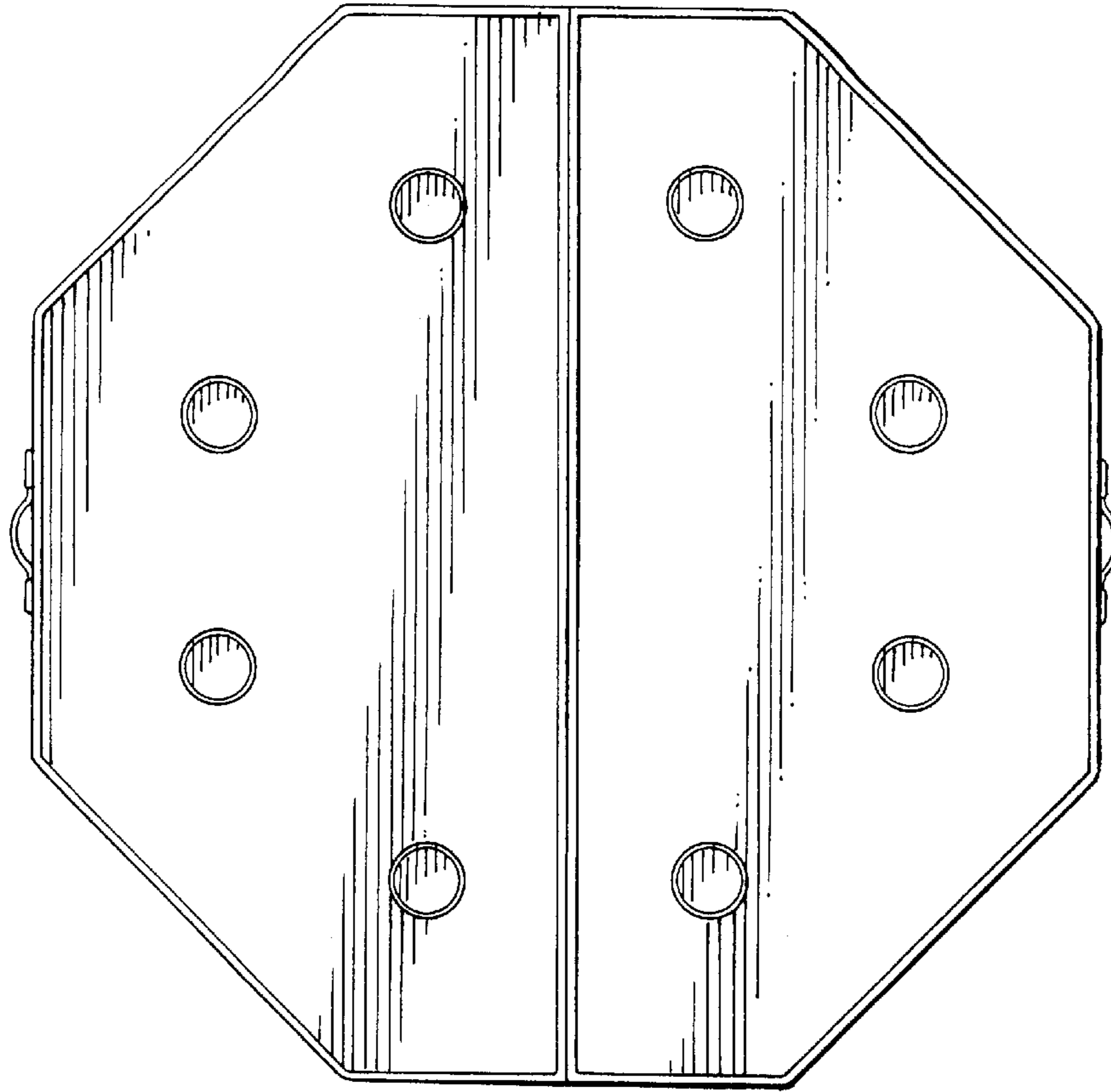
FIG. 1 is a perspective view of a poker table.  
FIG. 2 is a top plan view of the poker table;  
FIGS. 3 and 4 are side elevational views of FIG. 1;  
FIG. 5 is a bottom plan view of FIG. 1;  
FIG. 6 is a bottom plan view of FIG. 1 with the legs folded down; and,  
FIG. 7 is a perspective view of the poker table when folded together.

**1 Claim, 4 Drawing Sheets**

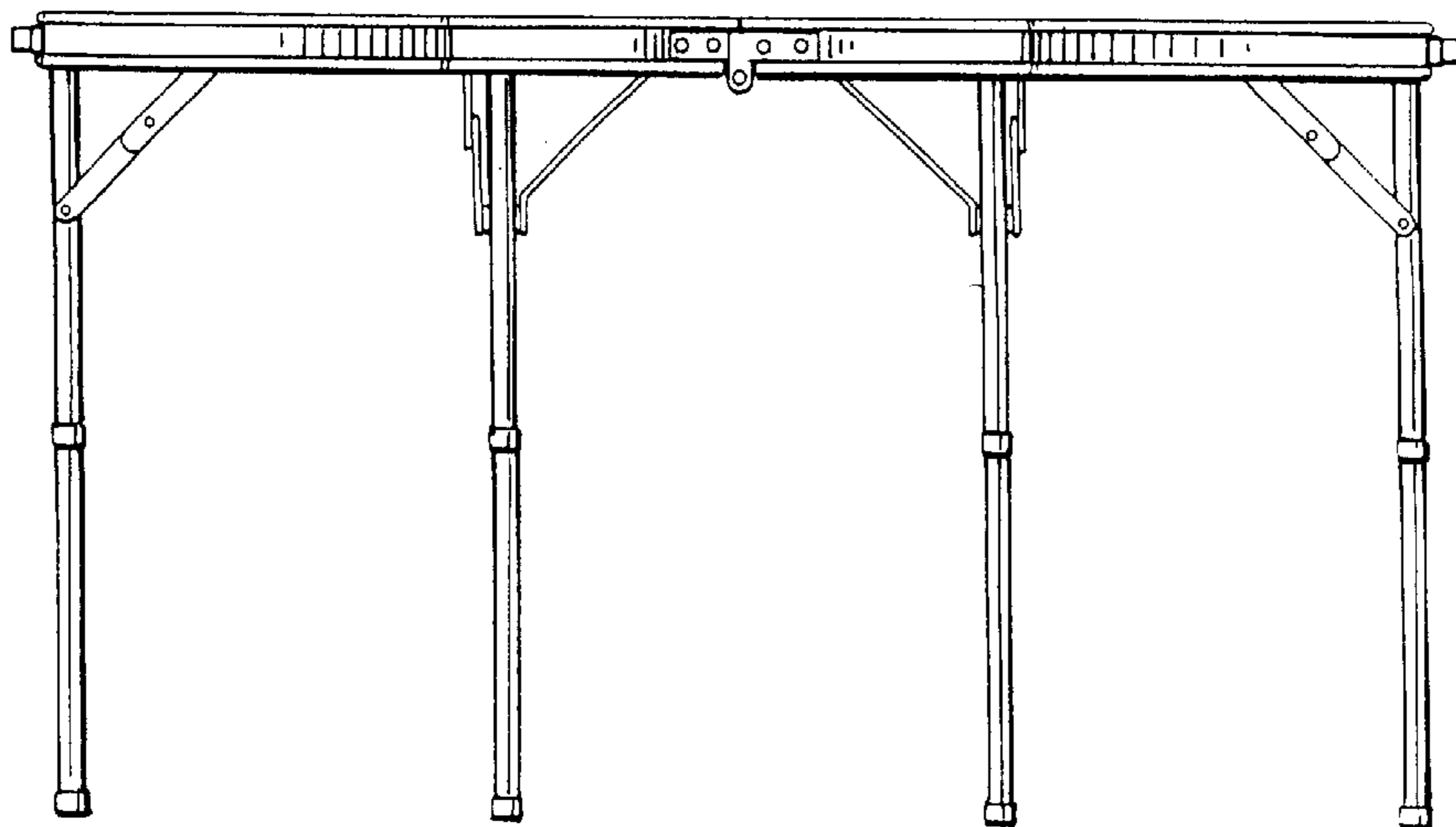




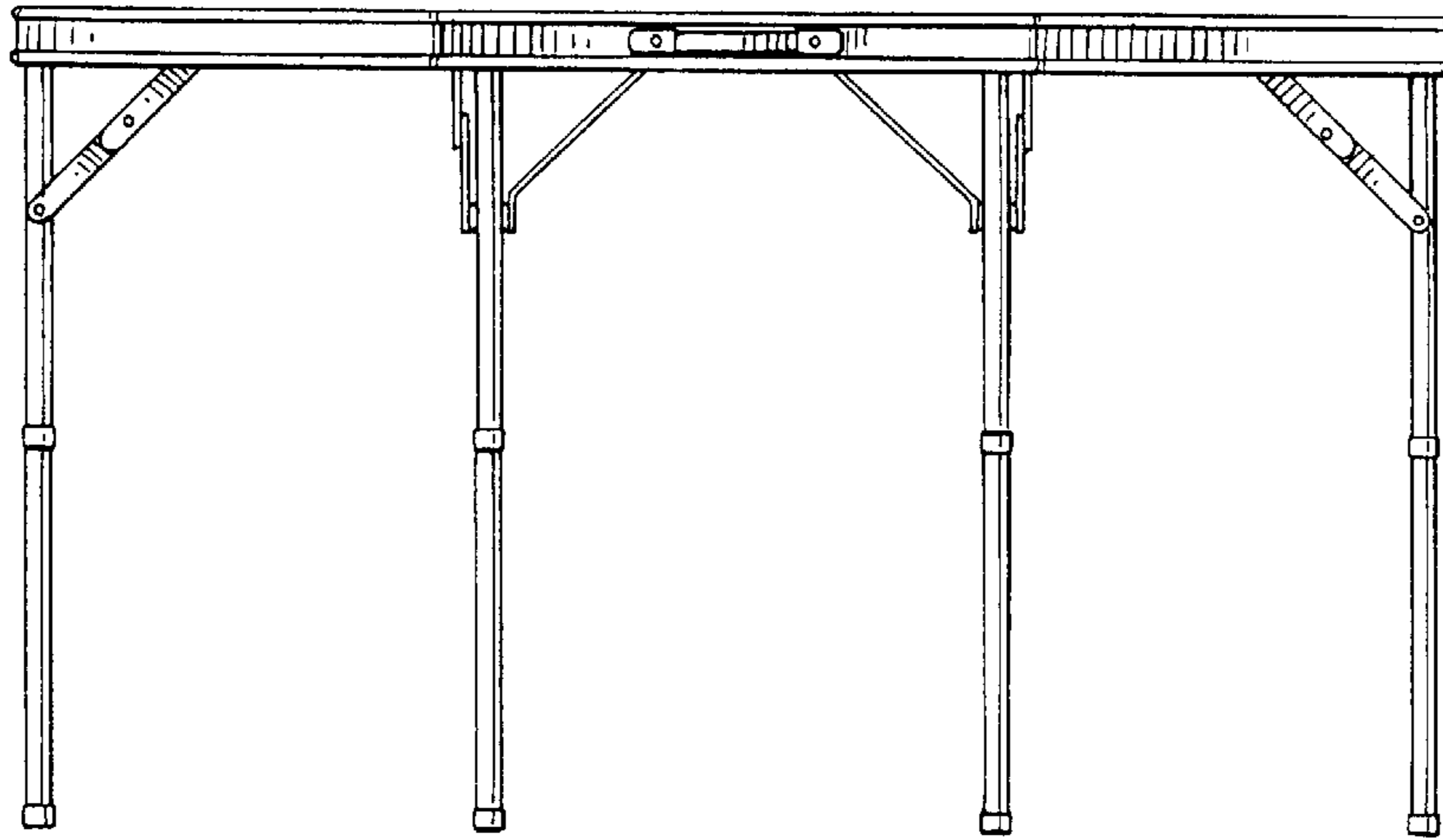
*FIG. 1*



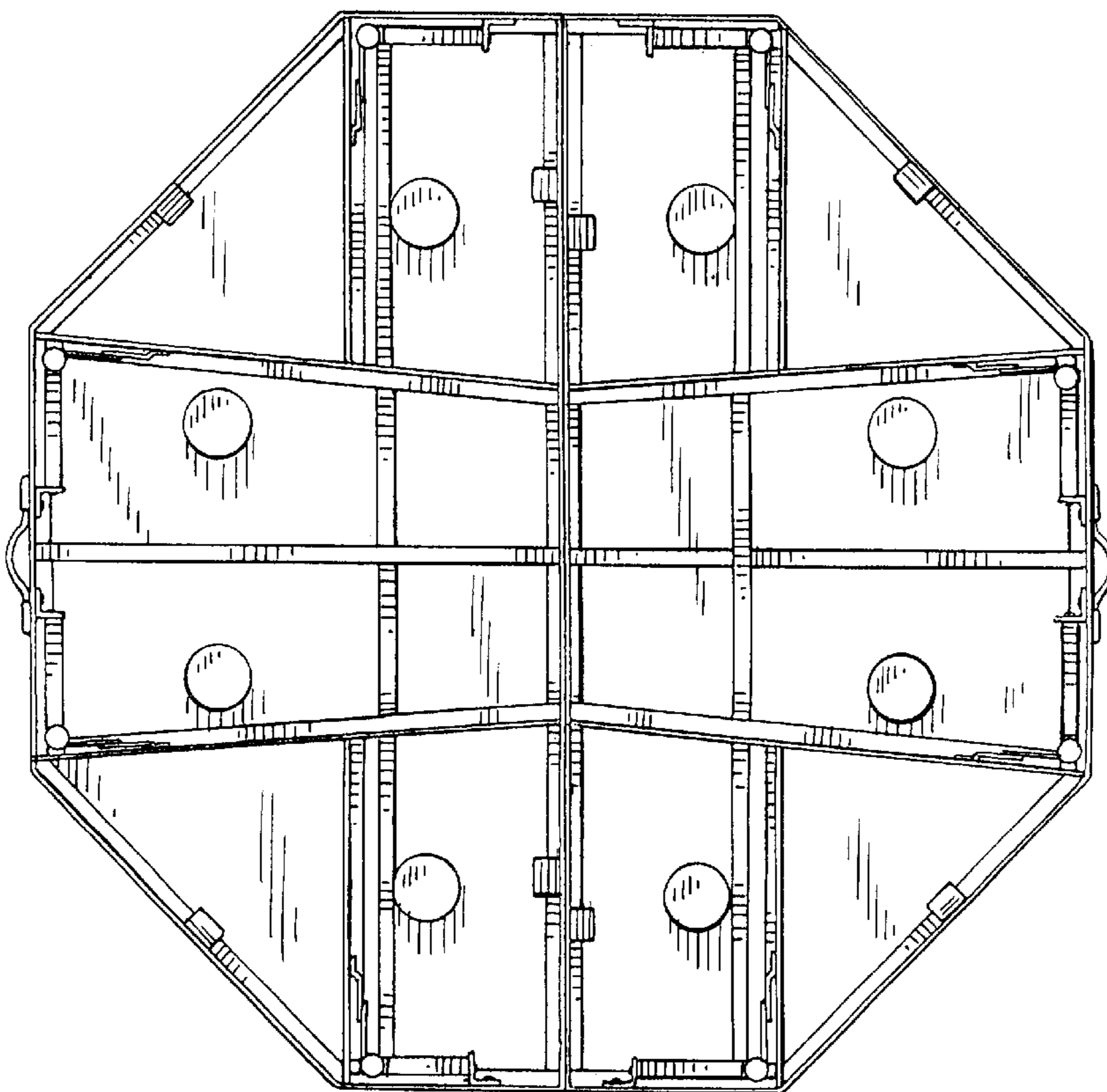
**FIG. 2**



**FIG. 3**

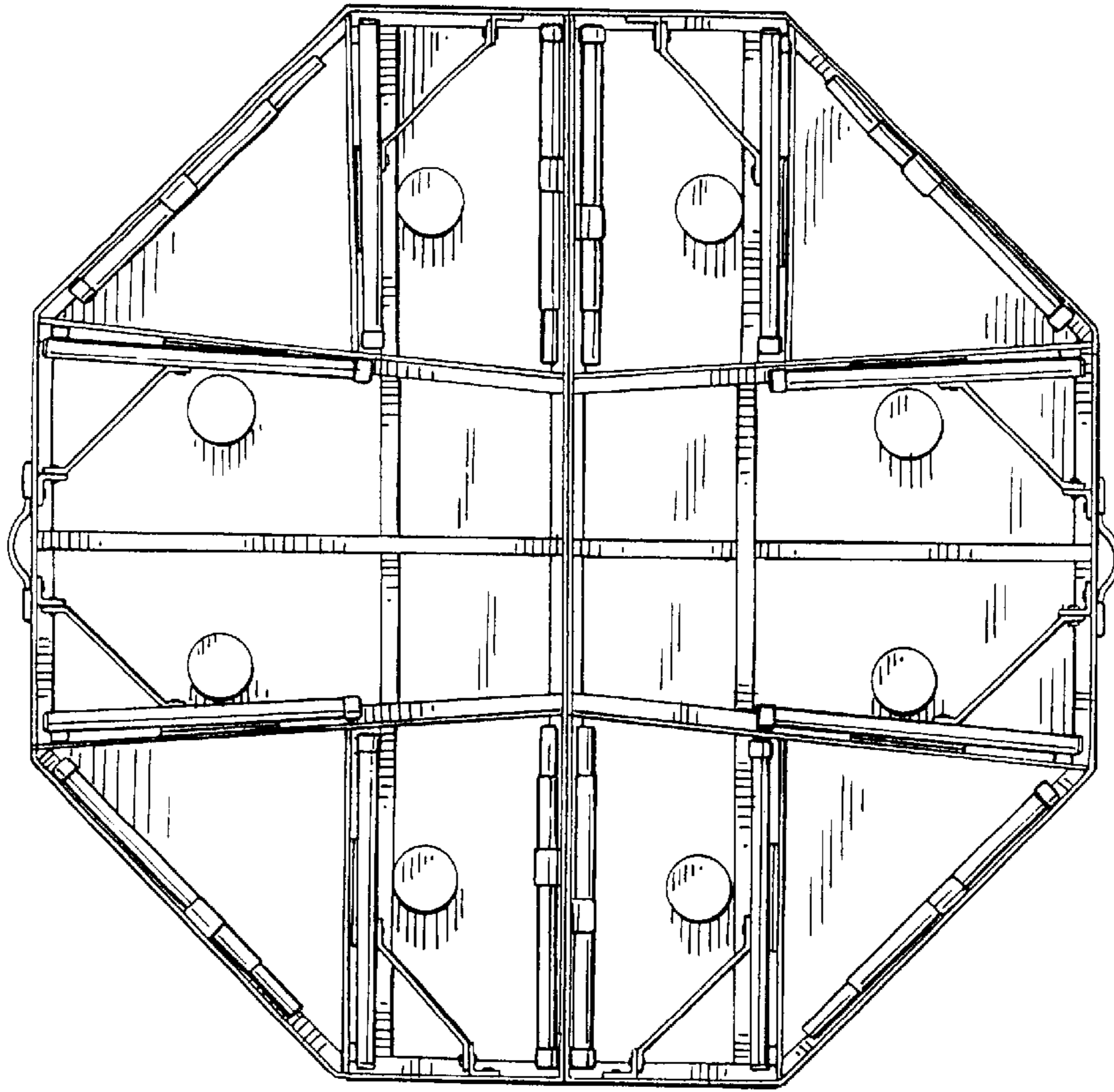


*FIG. 4*

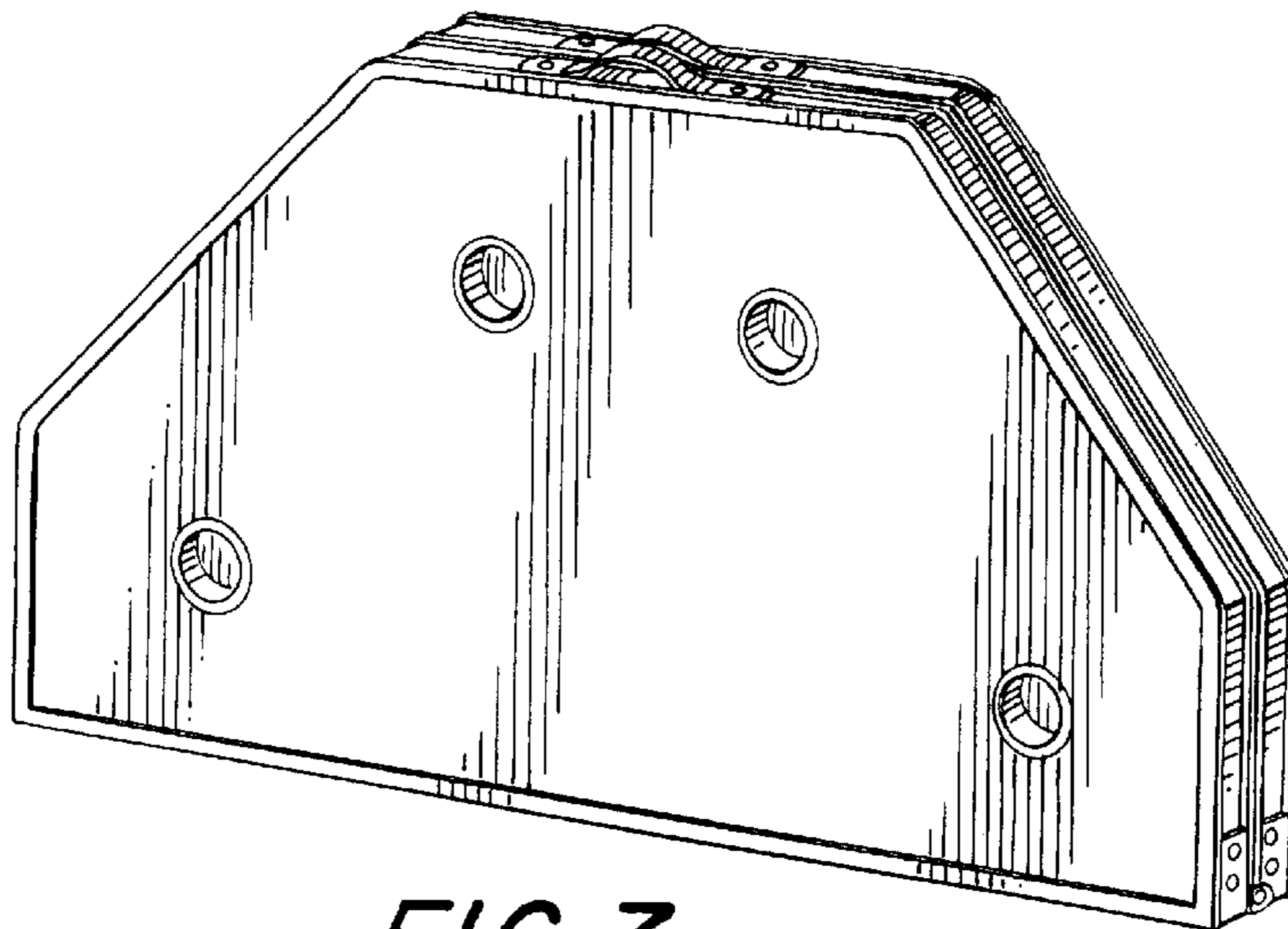


*FIG. 5*





*FIG. 6*



*FIG. 7*