



US00D536382S

(12) **United States Design Patent**
Sugino et al.

(10) **Patent No.:** **US D536,382 S**

(45) **Date of Patent:** **** Feb. 6, 2007**

(54) **INFORMATION STORAGE CARTRIDGE
FOR ELECTRONIC GAME MACHINE**

(75) Inventors: **Kenichi Sugino**, Kyoto (JP); **Masato
Ibuki**, Kyoto (JP); **Noboru Wakitani**,
Kyoto (JP)

(73) Assignee: **Nintendo Co., Ltd.**, Kyoto (JP)

(**) **Term:** **14 Years**

(21) **Appl. No.:** **29/214,464**

(22) **Filed:** **Oct. 4, 2004**

(30) **Foreign Application Priority Data**

Apr. 7, 2004 (JP) 2004-010682
Apr. 7, 2004 (JP) 2004-010689
Apr. 7, 2004 (JP) 2004-010690
Apr. 7, 2004 (JP) 2004-010691
Apr. 7, 2004 (JP) 2004-010692
Apr. 7, 2004 (JP) 2004-010693

(51) **LOC (8) Cl.** **21-01**

(52) **U.S. Cl.** **D21/332**

(58) **Field of Classification Search** D21/324,
D21/332, 328, 333; D14/435, 496; 273/148 B;
463/1, 29-35, 42-47

See application file for complete search history.

(56) **References Cited**

U.S. PATENT DOCUMENTS

D269,087 S * 5/1983 Nishi D14/435
4,565,922 A 1/1986 Anderson
4,774,399 A 9/1988 Fujita et al.
4,843,226 A 6/1989 Kato et al.
4,864,116 A 9/1989 Banjo et al.
4,905,124 A 2/1990 Banjo et al.
5,155,663 A 10/1992 Harase
5,157,244 A 10/1992 Mroczkowski et al.
5,282,113 A 1/1994 Kohama et al.
5,362,068 A * 11/1994 Liu 463/44
5,414,253 A 5/1995 Baudouin et al.
5,457,606 A 10/1995 Young et al.
5,513,074 A 4/1996 Ainsbury et al.
5,528,459 A 6/1996 Ainsbury et al.

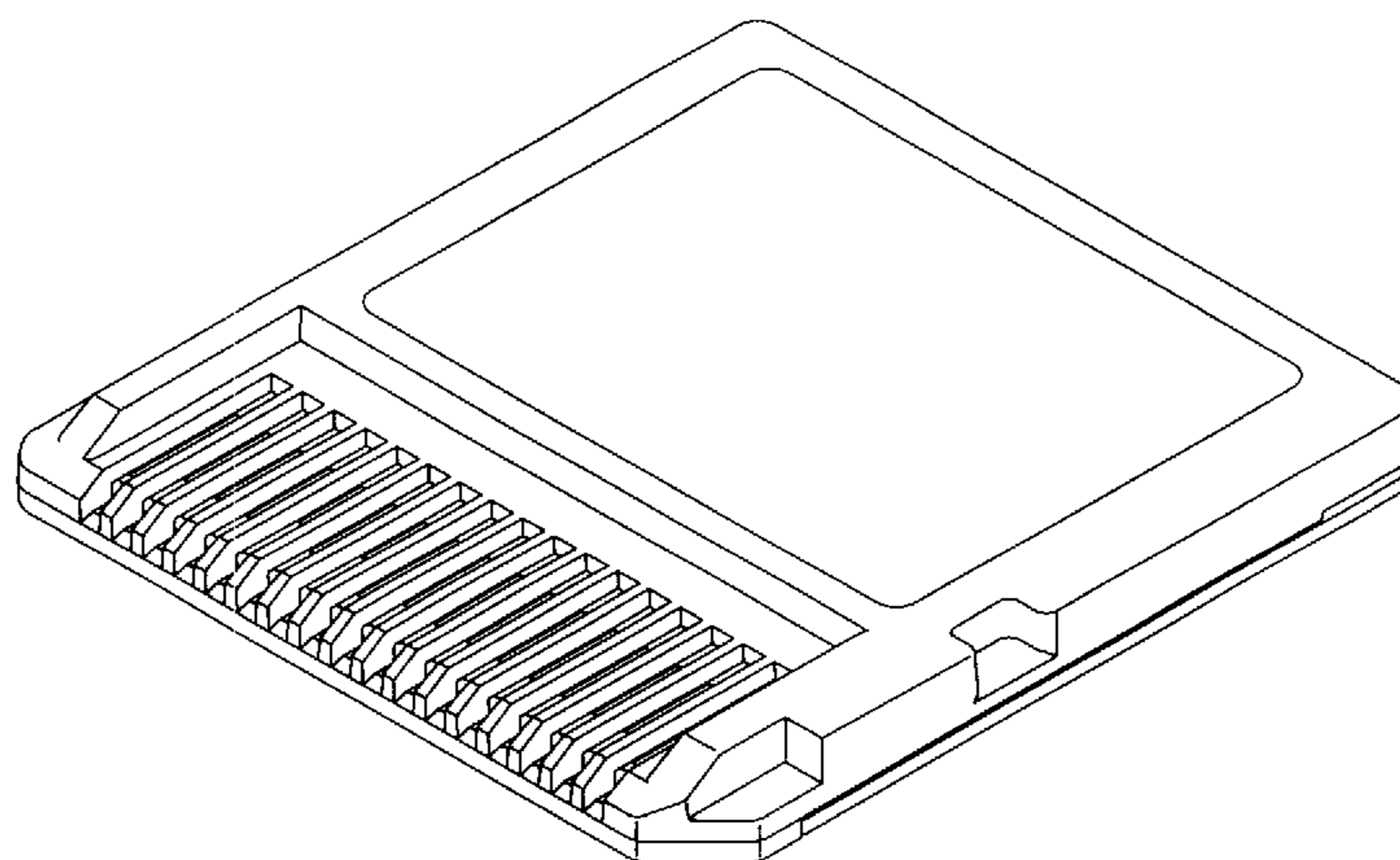
5,529,503 A 6/1996 Kerklaan
D375,304 S * 11/1996 Takahata et al. D14/435
D375,941 S 11/1996 Kerklaan
D376,133 S 12/1996 Kerklaan
5,581,127 A 12/1996 Shinohara
5,608,606 A 3/1997 Blaney
D382,868 S * 8/1997 Ashida D14/435
5,926,438 A * 7/1999 Saito 367/111
6,049,462 A 4/2000 Lin
6,109,939 A 8/2000 Kondo et al.
D444,473 S 7/2001 Okamoto et al.
D445,096 S 7/2001 Wallace
D445,111 S 7/2001 Okamoto et al.
6,267,678 B1 * 7/2001 Kubo et al. 463/44
D446,525 S 8/2001 Okamoto et al.
D449,078 S * 10/2001 Fujita D21/332
6,320,252 B1 11/2001 Potters et al.
D452,243 S 12/2001 Wallace
D452,244 S 12/2001 Wallace et al.
D452,245 S 12/2001 Wallace et al.
6,333,854 B1 12/2001 Sasaoka et al.
D452,690 S 1/2002 Wallace et al.
D452,865 S 1/2002 Wallace et al.
6,381,143 B1 4/2002 Nakamura
D457,887 S 5/2002 Kadonaga
6,383,079 B1 * 5/2002 Takeda et al. 463/43
D458,643 S * 6/2002 Ashida D21/332
D459,355 S 6/2002 Shimoda et al.
6,410,355 B1 6/2002 Wallace
D460,456 S 7/2002 Shimoda et al.
6,457,647 B1 10/2002 Kurihashi et al.
D467,586 S 12/2002 Shimoda et al.
D478,358 S * 8/2003 Ashida D21/332
D480,764 S * 10/2003 Inoue et al. D21/332
6,634,561 B1 10/2003 Wallace
6,641,413 B1 11/2003 Kuroda
6,646,885 B1 11/2003 Yu et al.
6,743,104 B1 * 6/2004 Ota et al. 463/44

FOREIGN PATENT DOCUMENTS

EP 0 263 746 B1 4/1992
JP 971743 10/1997
JP 10171938 6/1998

* cited by examiner

Primary Examiner—Prabhakar Deshmukh
(74) *Attorney, Agent, or Firm*—Nixon & Vanderhye, P.C.



(57)

CLAIM

The ornamental design for a “information storage cartridge for electronic game machine,” as shown and described.

DESCRIPTION

FIG. 1 is a top plan view of an information storage cartridge for electronic game machine showing a first embodiment;
FIG. 2 is a front elevational view thereof;
FIG. 3 is a bottom plan view thereof;
FIG. 4 is a rear elevational view thereof;
FIG. 5 is a right side elevational view thereof;
FIG. 6 is a left side elevational view thereof;
FIG. 7 is a top, front and right side perspective view thereof;
FIG. 8 is a bottom, rear and left side perspective view thereof;
FIG. 9 is a top plan view of an information storage cartridge for electronic game machine showing a second embodiment;
FIG. 10 is a front elevational view thereof;
FIG. 11 is a bottom plan view thereof;
FIG. 12 is a rear elevational view thereof;
FIG. 13 is a right side elevational view thereof;
FIG. 14 is a left side elevational view thereof;
FIG. 15 is a top, front and right side perspective view thereof;
FIG. 16 is a bottom, rear and left side perspective view thereof;
FIG. 17 is a top plan view of an information storage cartridge for electronic game machine showing a third embodiment;
FIG. 18 is a front elevational view thereof;
FIG. 19 is a bottom plan view thereof;
FIG. 20 is a rear elevational view thereof;
FIG. 21 is a right side elevational view thereof;
FIG. 22 is a left side elevational view thereof;
FIG. 23 is a top, front and right side perspective view thereof;
FIG. 24 is a bottom, rear and left side perspective view thereof;

FIG. 25 is a top plan view of an information storage cartridge for electronic game machine showing a fourth embodiment;
FIG. 26 is a front elevational view thereof;
FIG. 27 is a bottom plan view thereof;
FIG. 28 is a rear elevational view thereof;
FIG. 29 is a right side elevational view thereof;
FIG. 30 is a left side elevational view thereof;
FIG. 31 is a top, front and right side perspective view thereof;
FIG. 32 is a bottom, rear and left side perspective view thereof;
FIG. 33 is a top plan view of an information storage cartridge for electronic game machine showing a fifth embodiment;
FIG. 34 is a front elevational view thereof;
FIG. 35 is a bottom plan view thereof;
FIG. 36 is a rear elevational view thereof;
FIG. 37 is a right side elevational view thereof;
FIG. 38 is a left side elevational view thereof;
FIG. 39 is a top, front and right side perspective view thereof;
FIG. 40 is a bottom, rear and left side perspective view thereof;
FIG. 41 is a top plan view of an information storage cartridge for electronic game machine showing a sixth embodiment;
FIG. 42 is a front elevational view thereof;
FIG. 43 is a bottom plan view thereof;
FIG. 44 is a rear elevational view thereof;
FIG. 45 is a right side elevational view thereof;
FIG. 46 is a left side elevational view thereof;
FIG. 47 is a top, front and right side perspective view thereof; and,
FIG. 48 is a bottom, rear and left side perspective view thereof.

1 Claim, 18 Drawing Sheets

Fig. 1

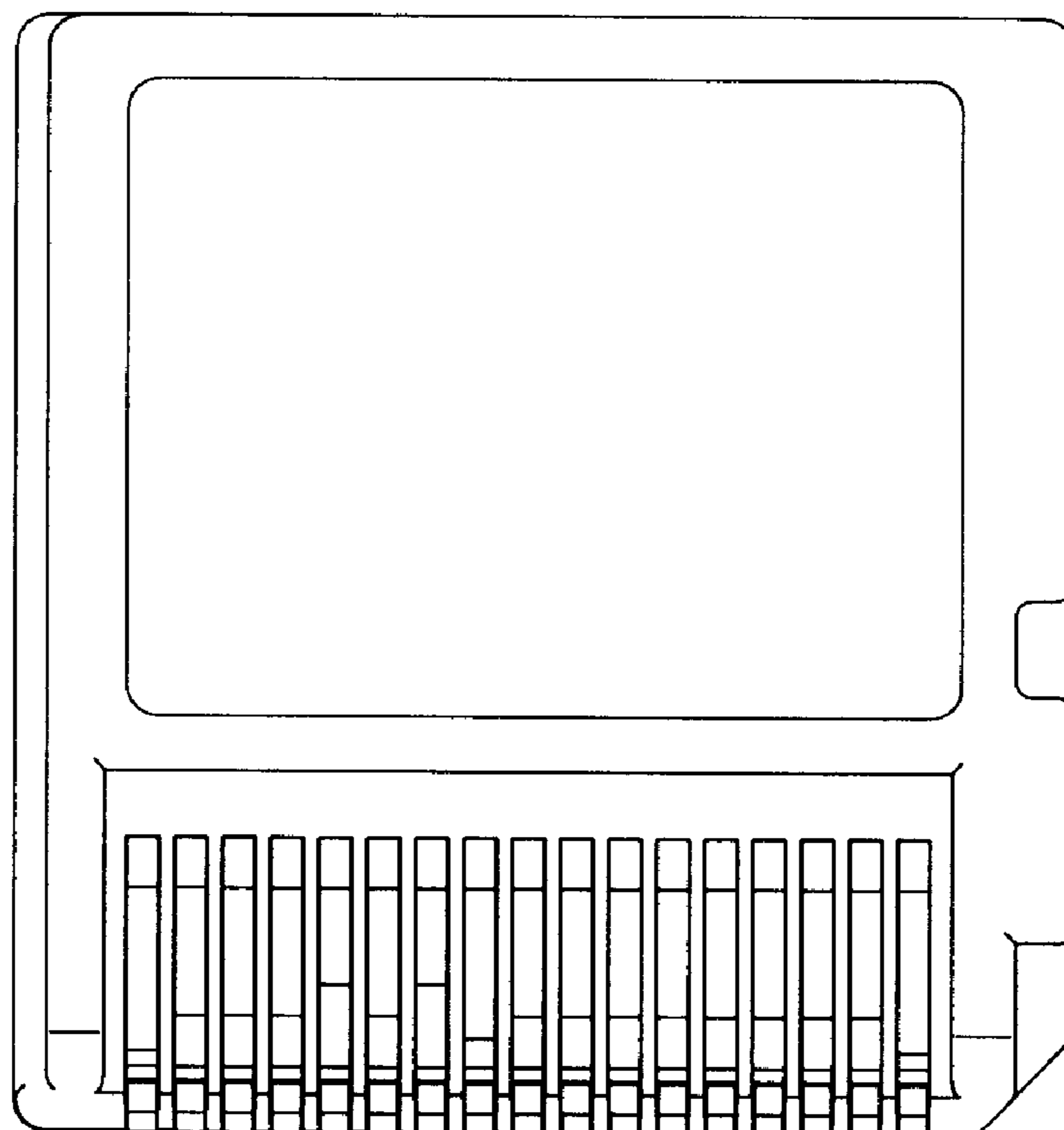


Fig. 2



Fig. 3

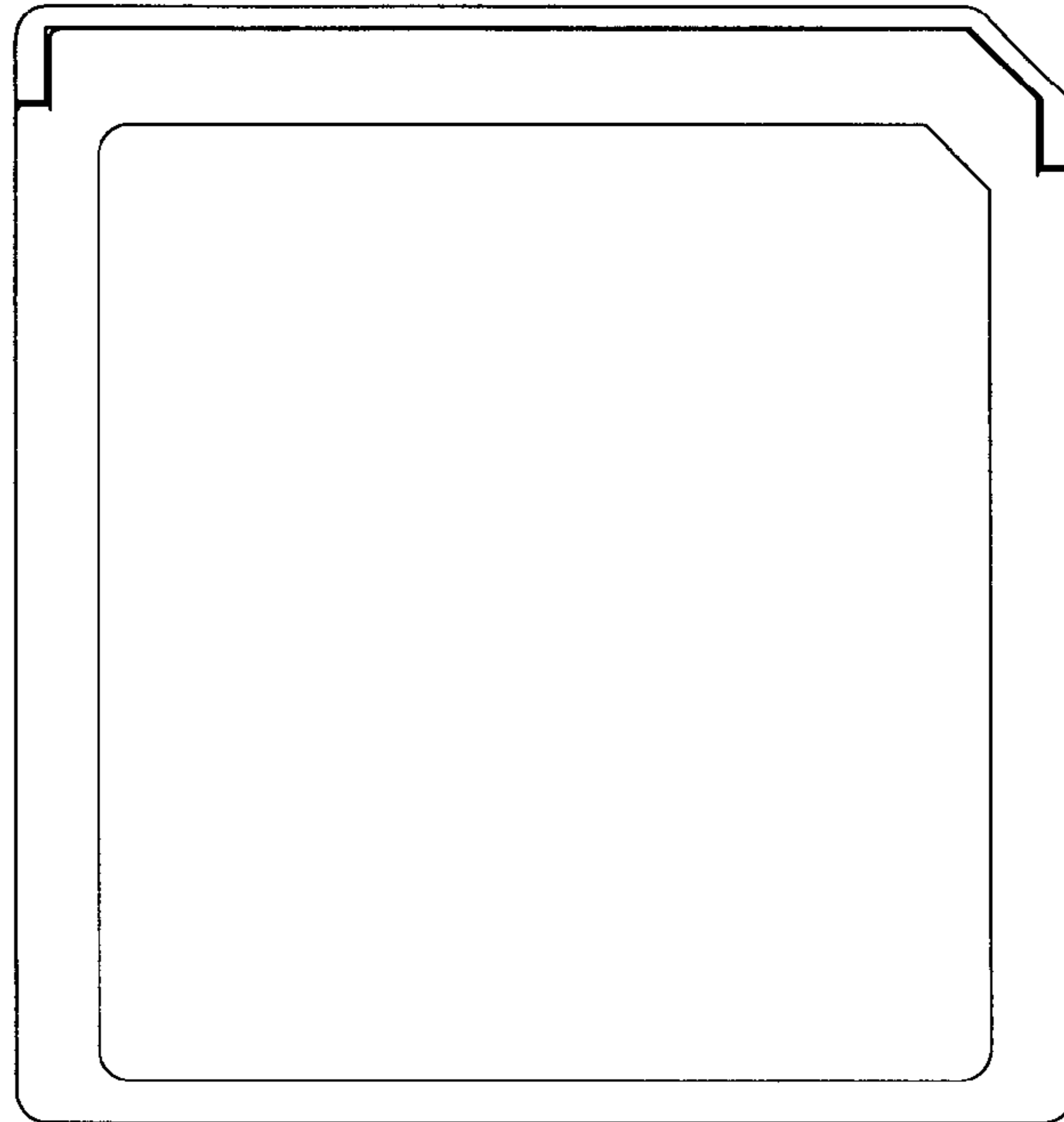


Fig. 4



Fig. 5



Fig. 6

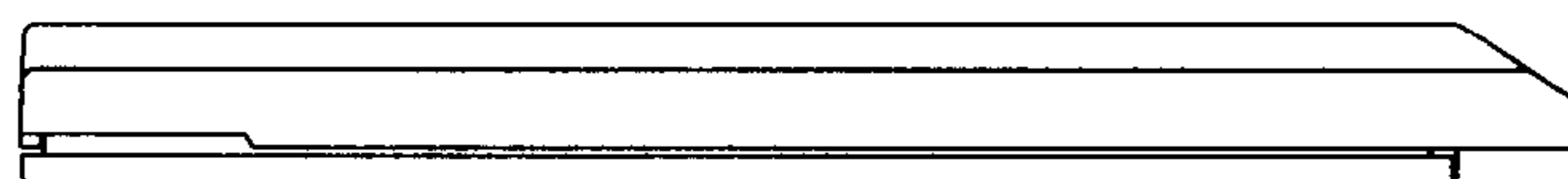


Fig. 7

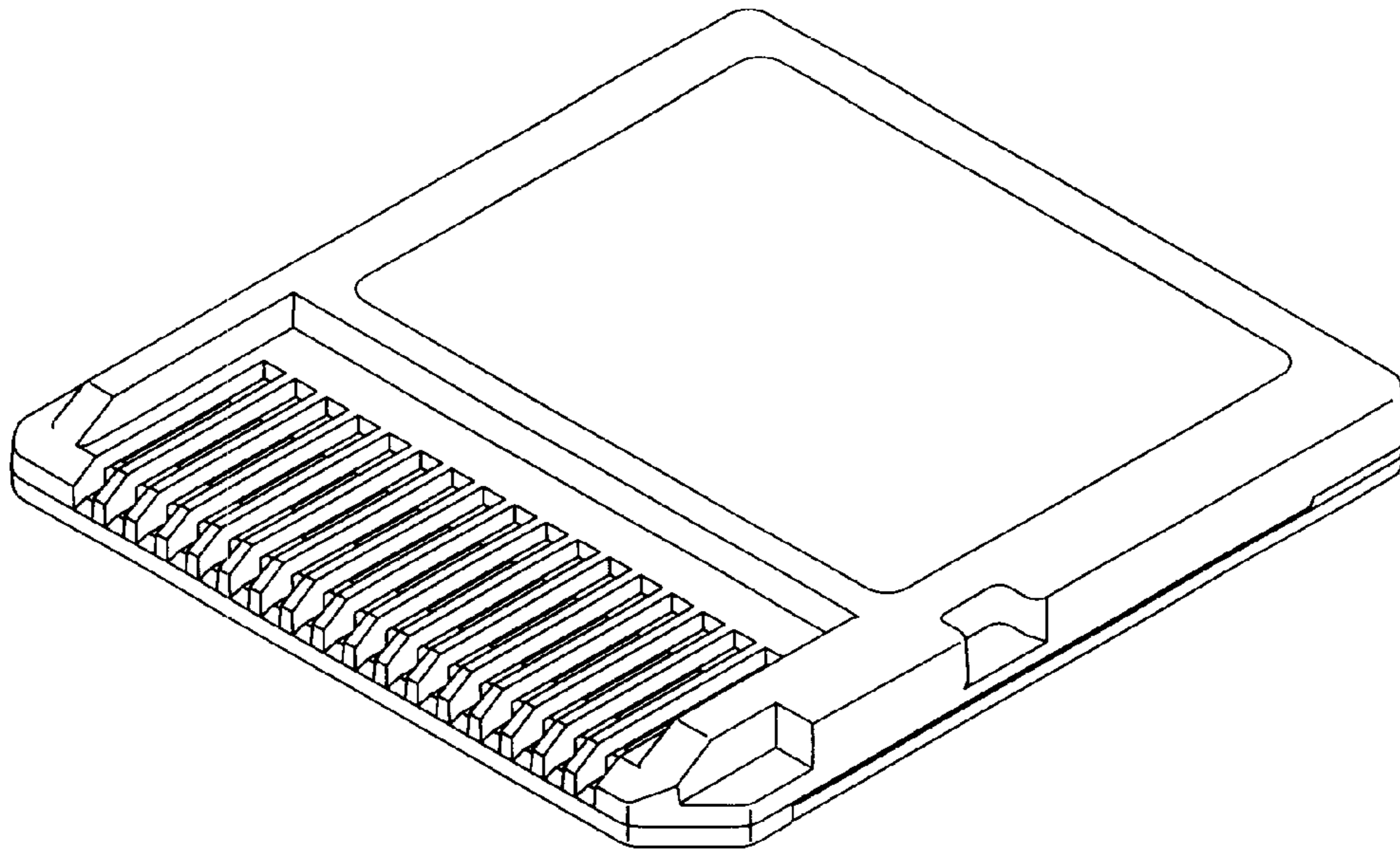


Fig. 8

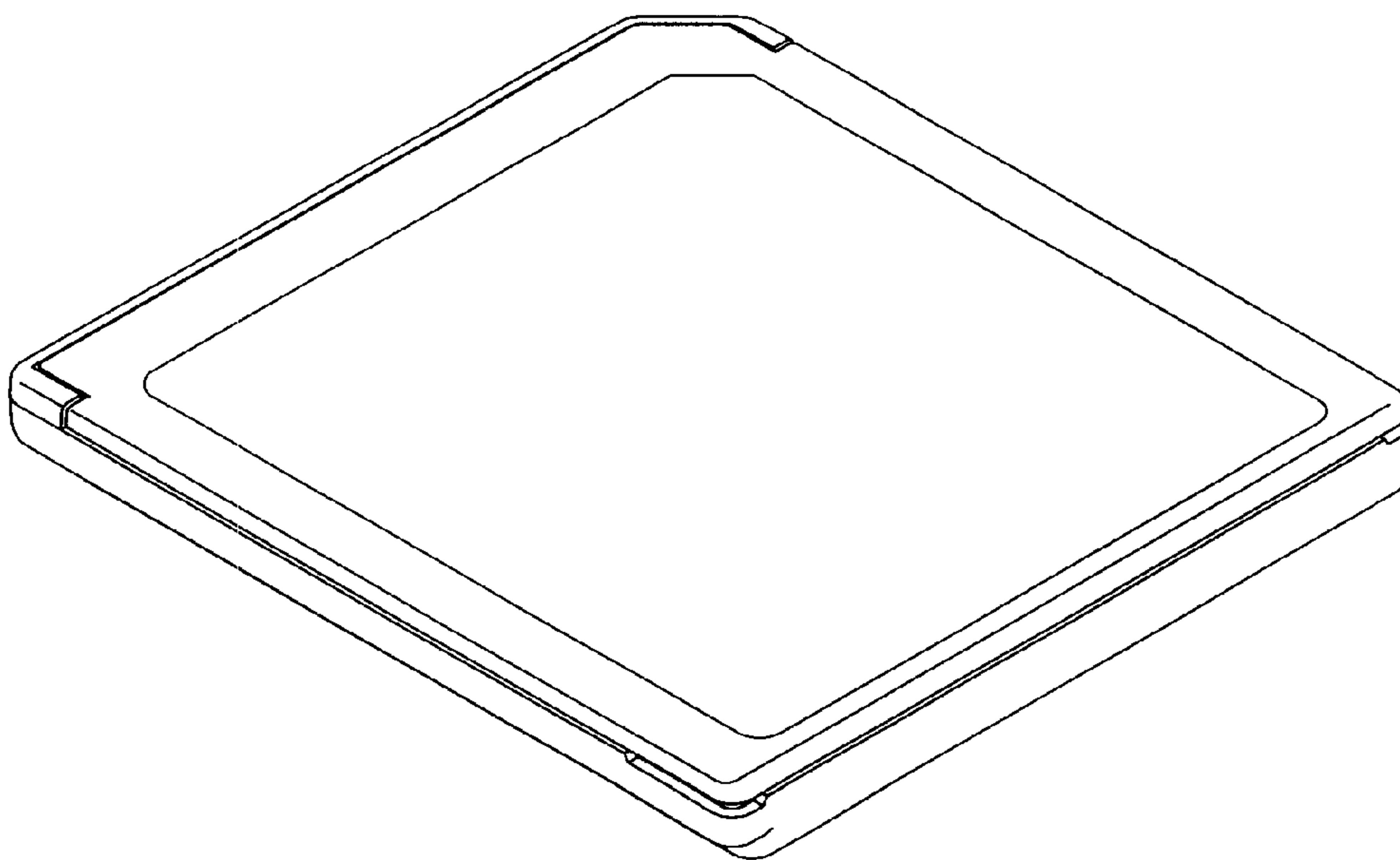


Fig. 9

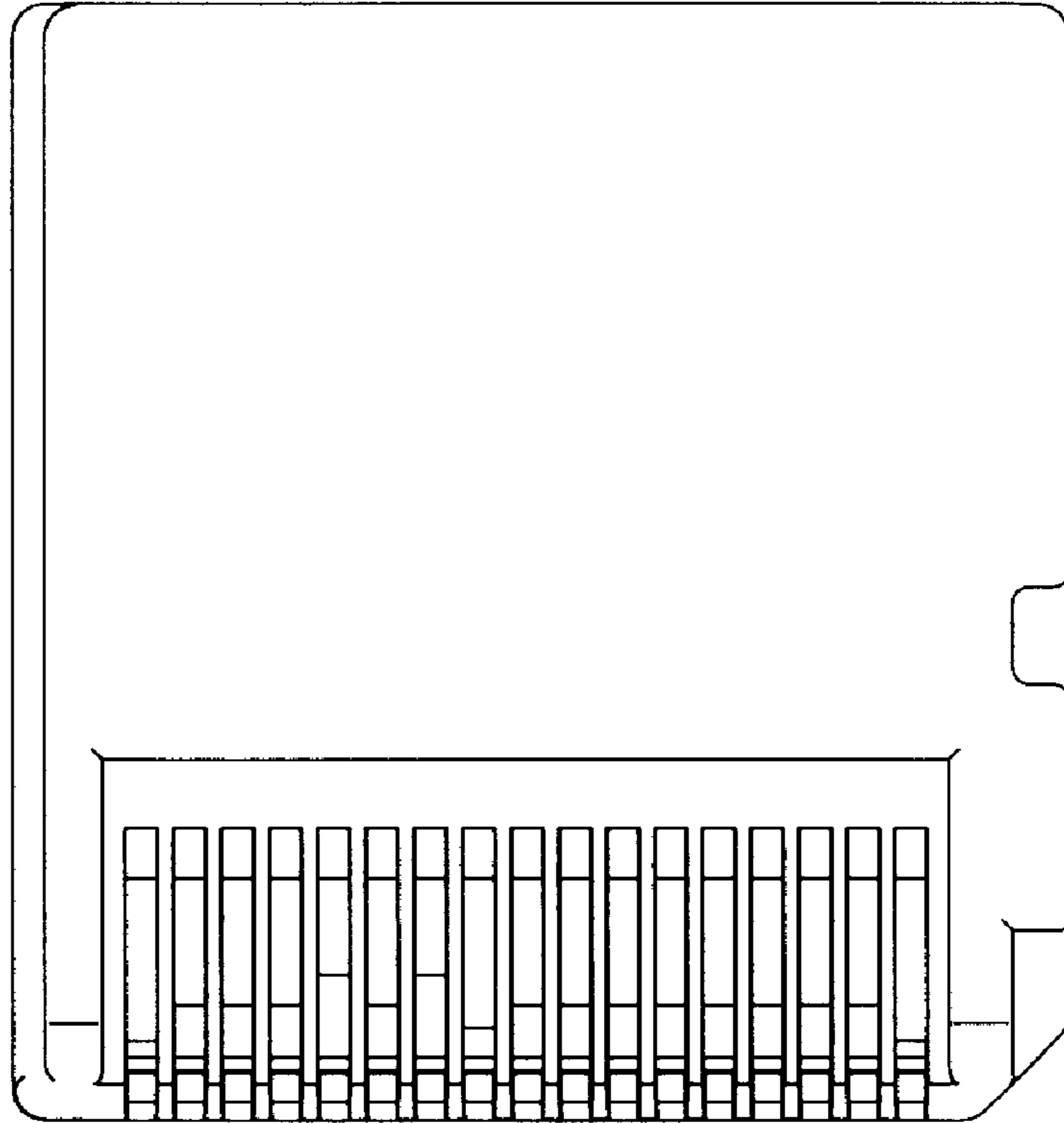


Fig. 10

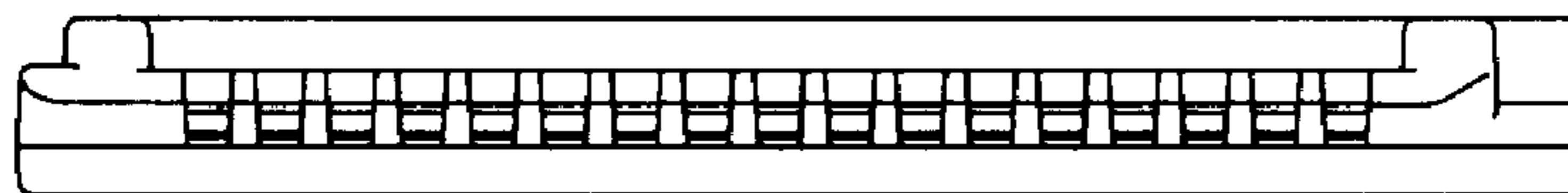


Fig. 11

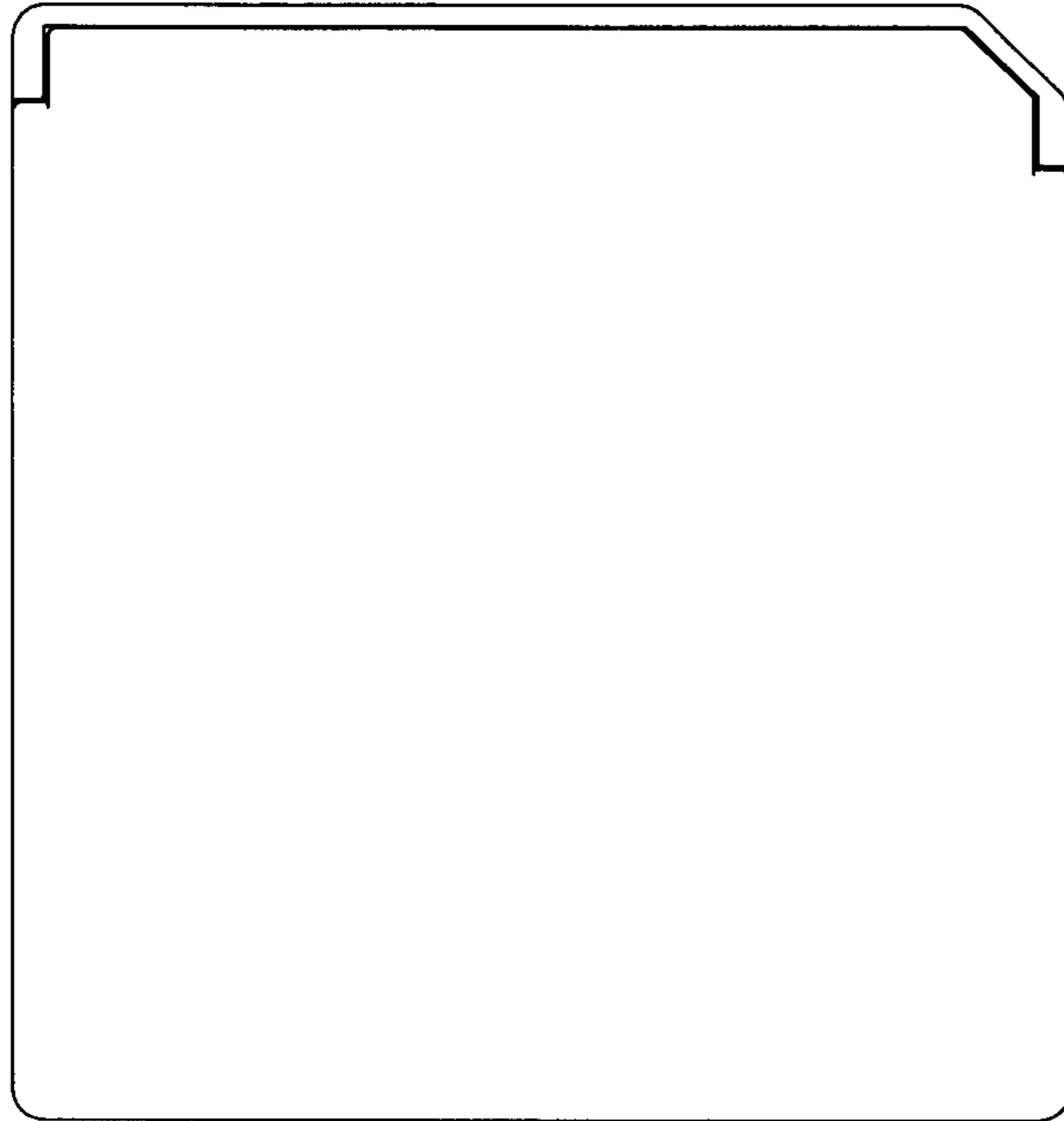


Fig. 12

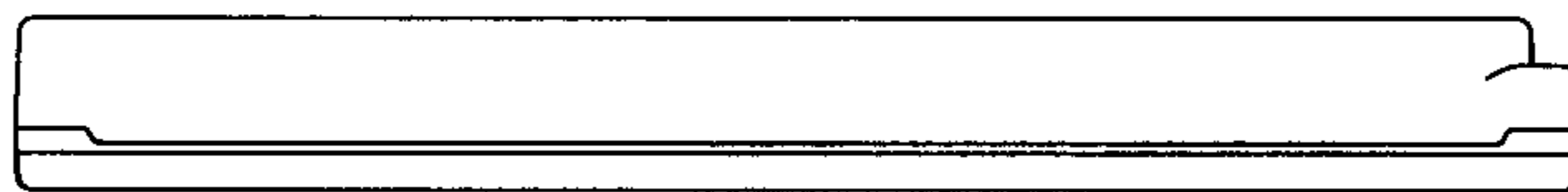


Fig. 13

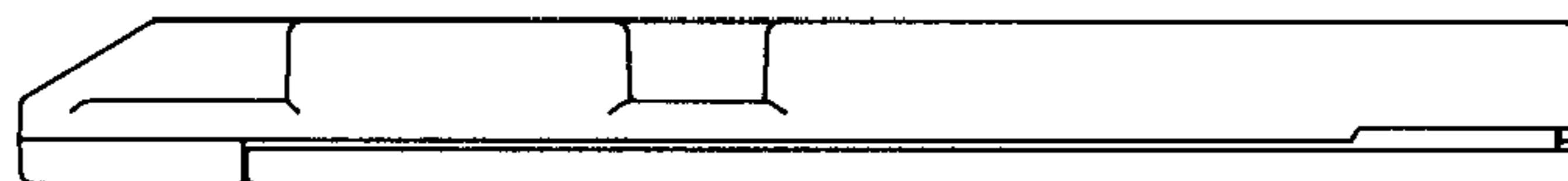


Fig. 14

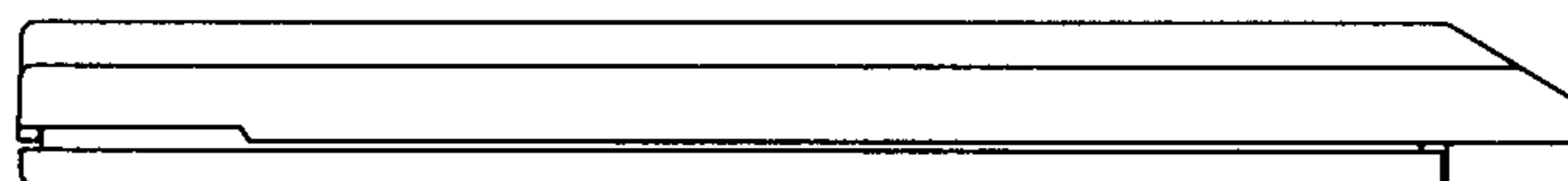


Fig. 15

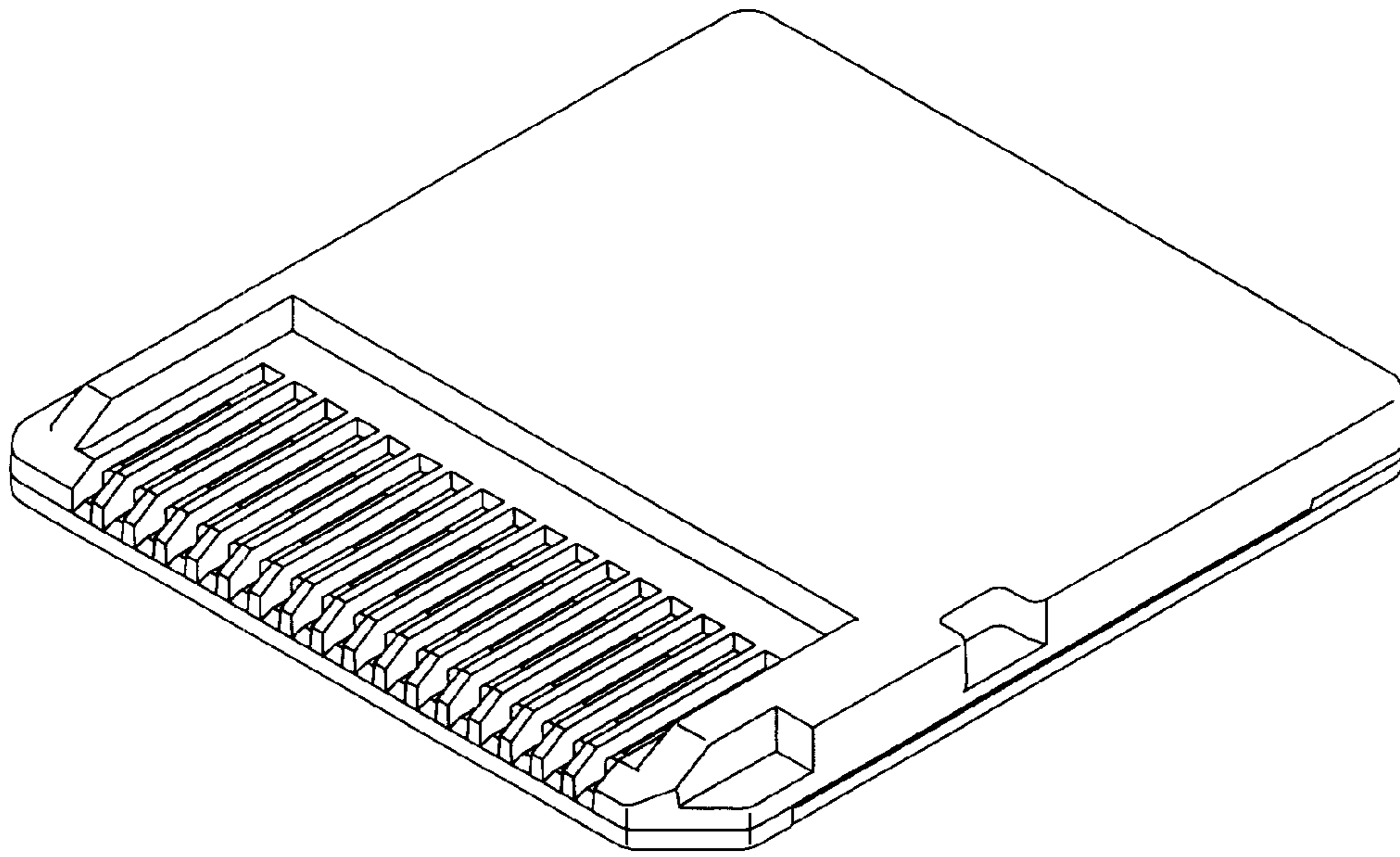


Fig. 16

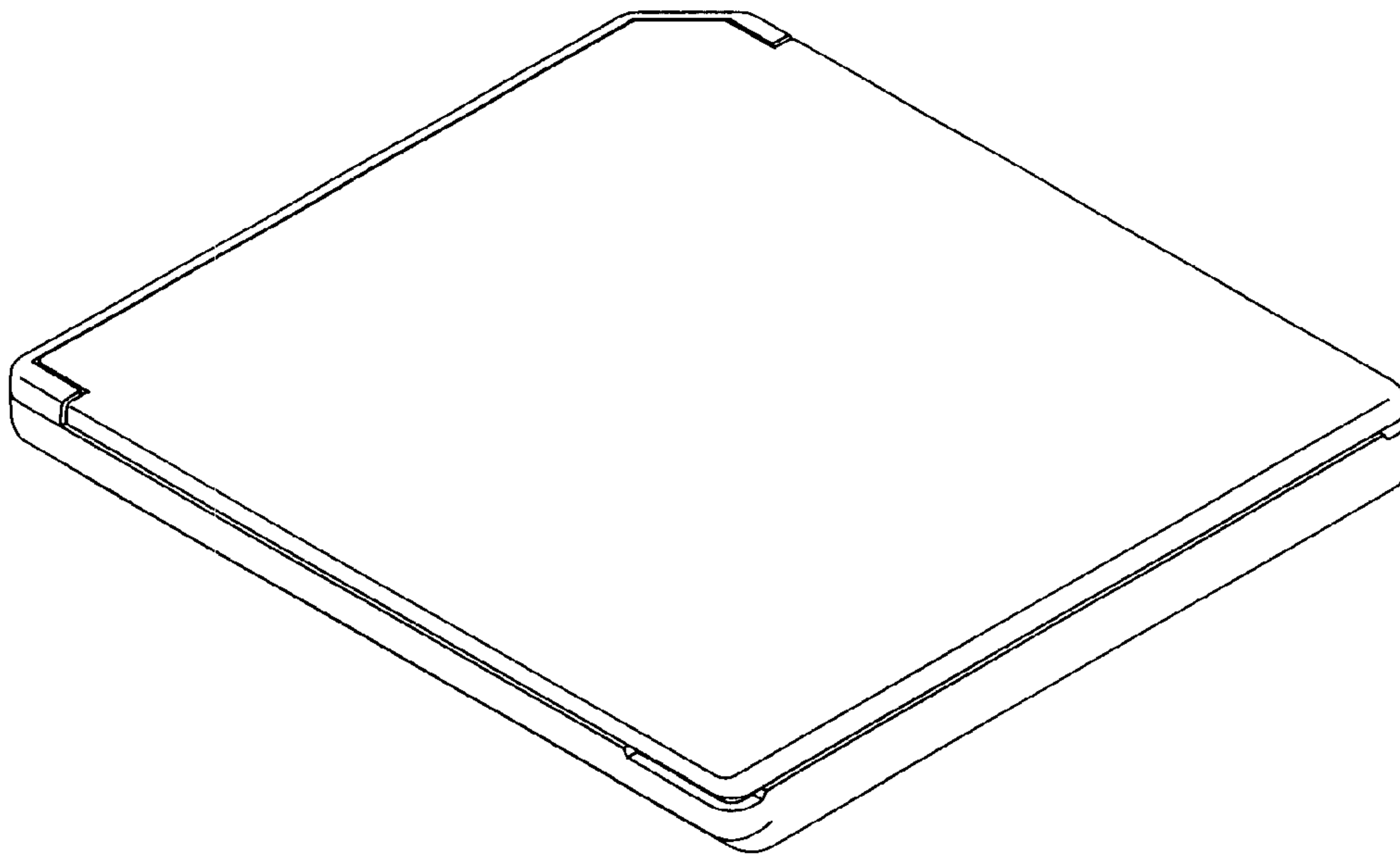


Fig. 17

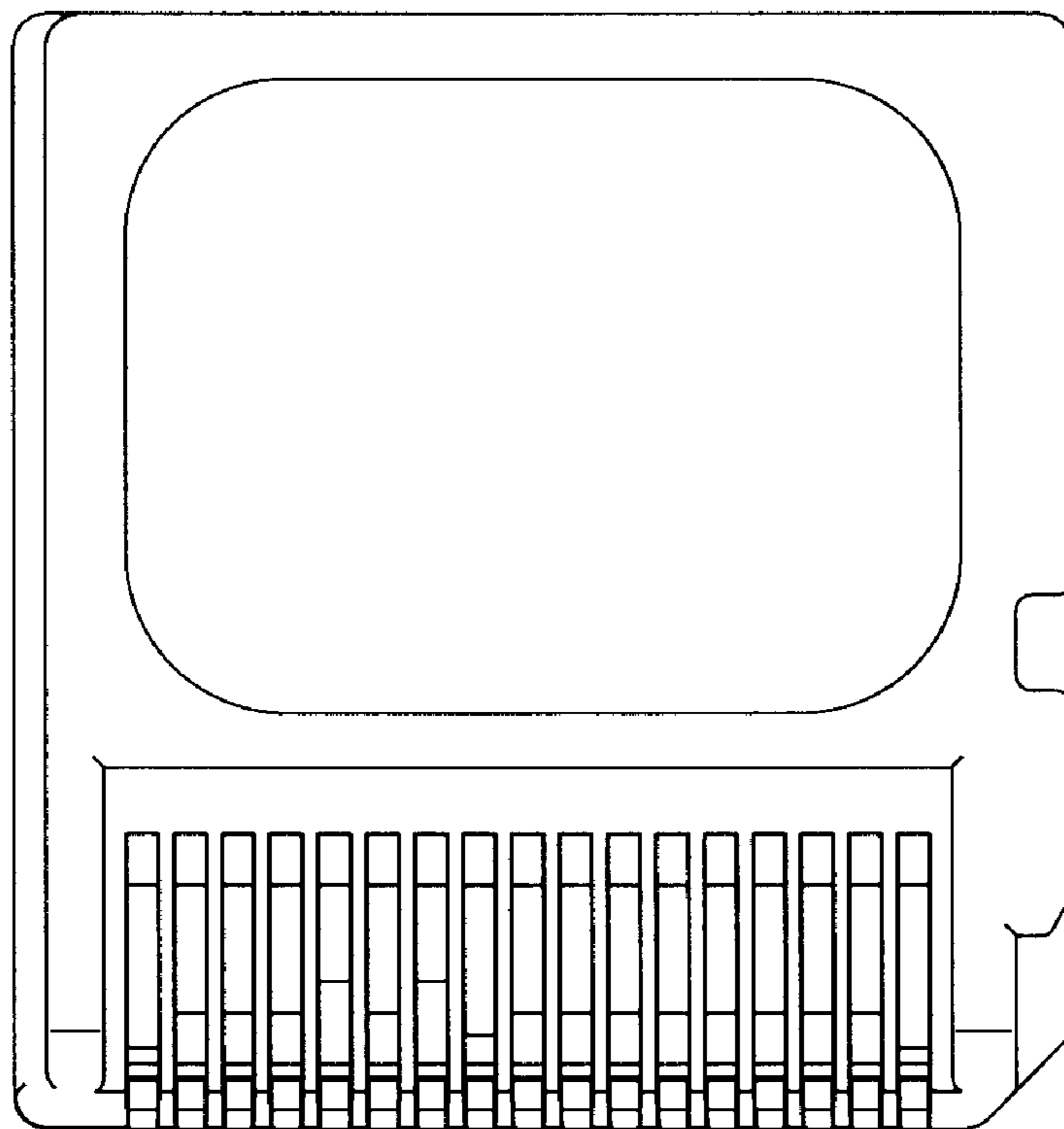


Fig. 18



Fig. 19

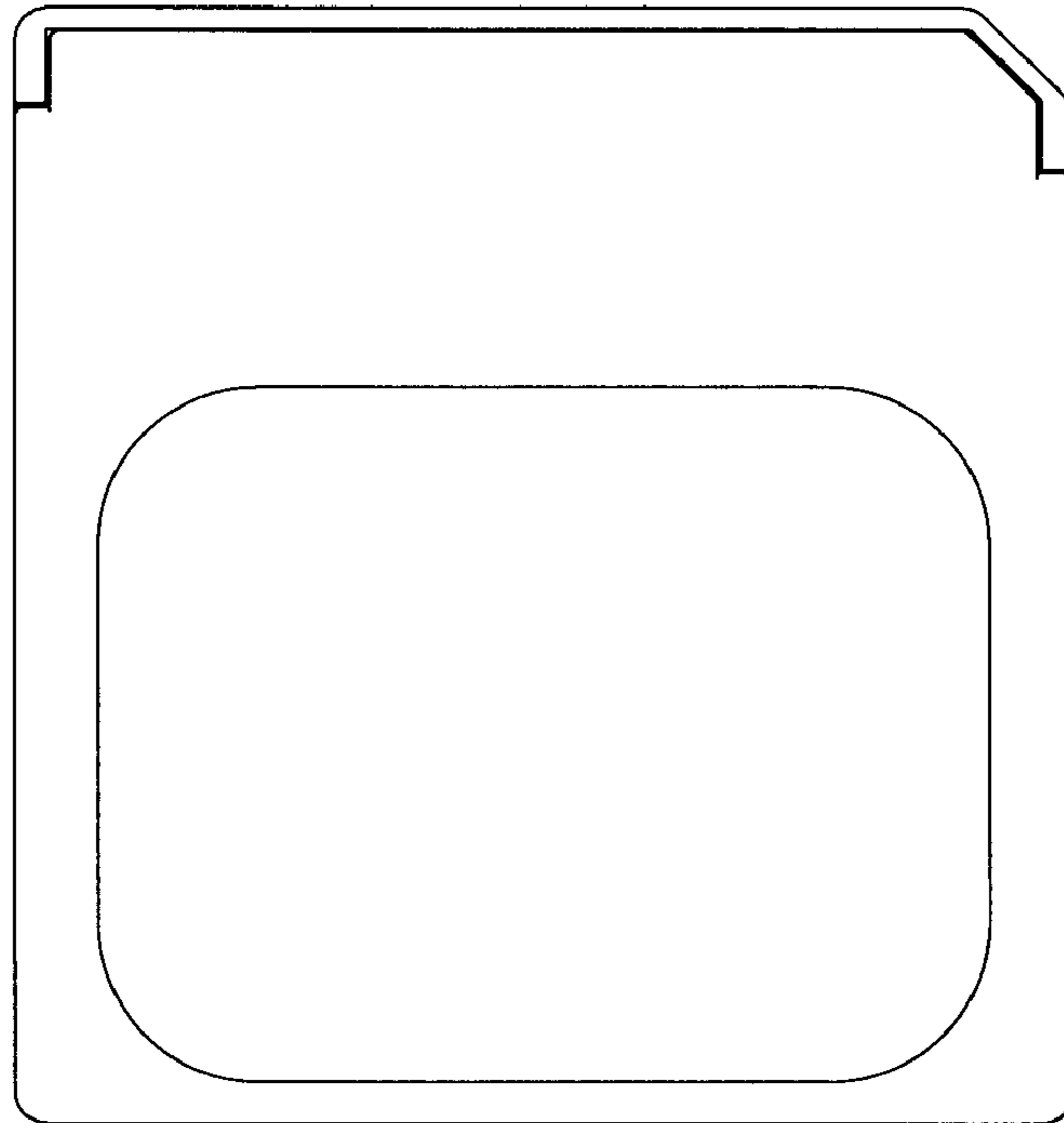


Fig. 20

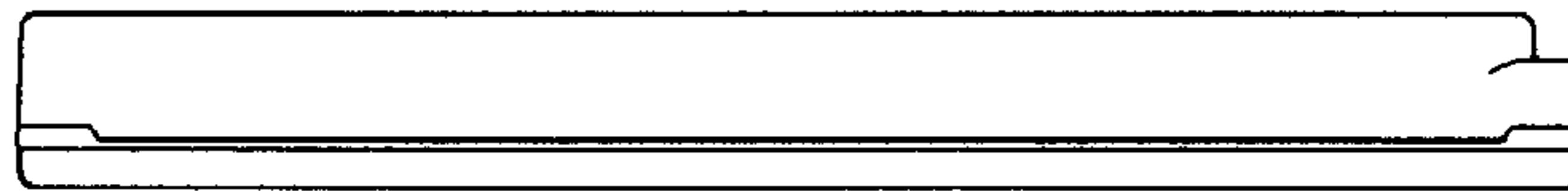


Fig. 21

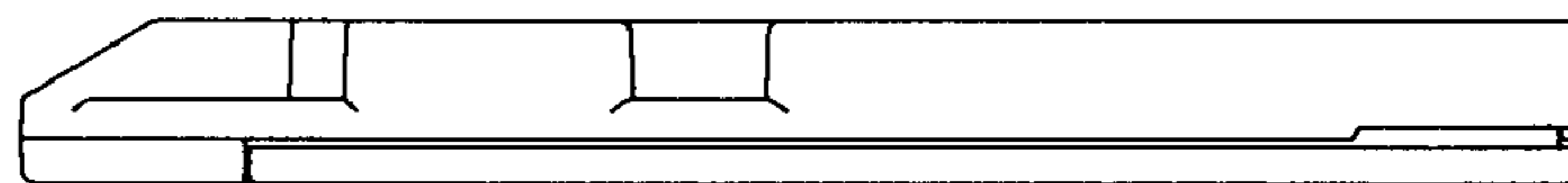


Fig. 22

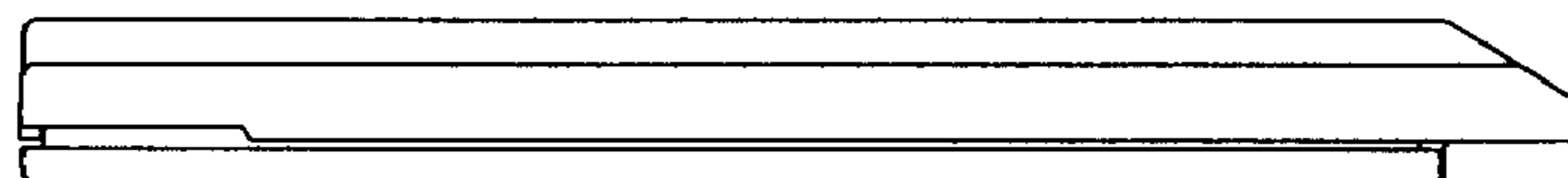


Fig. 23

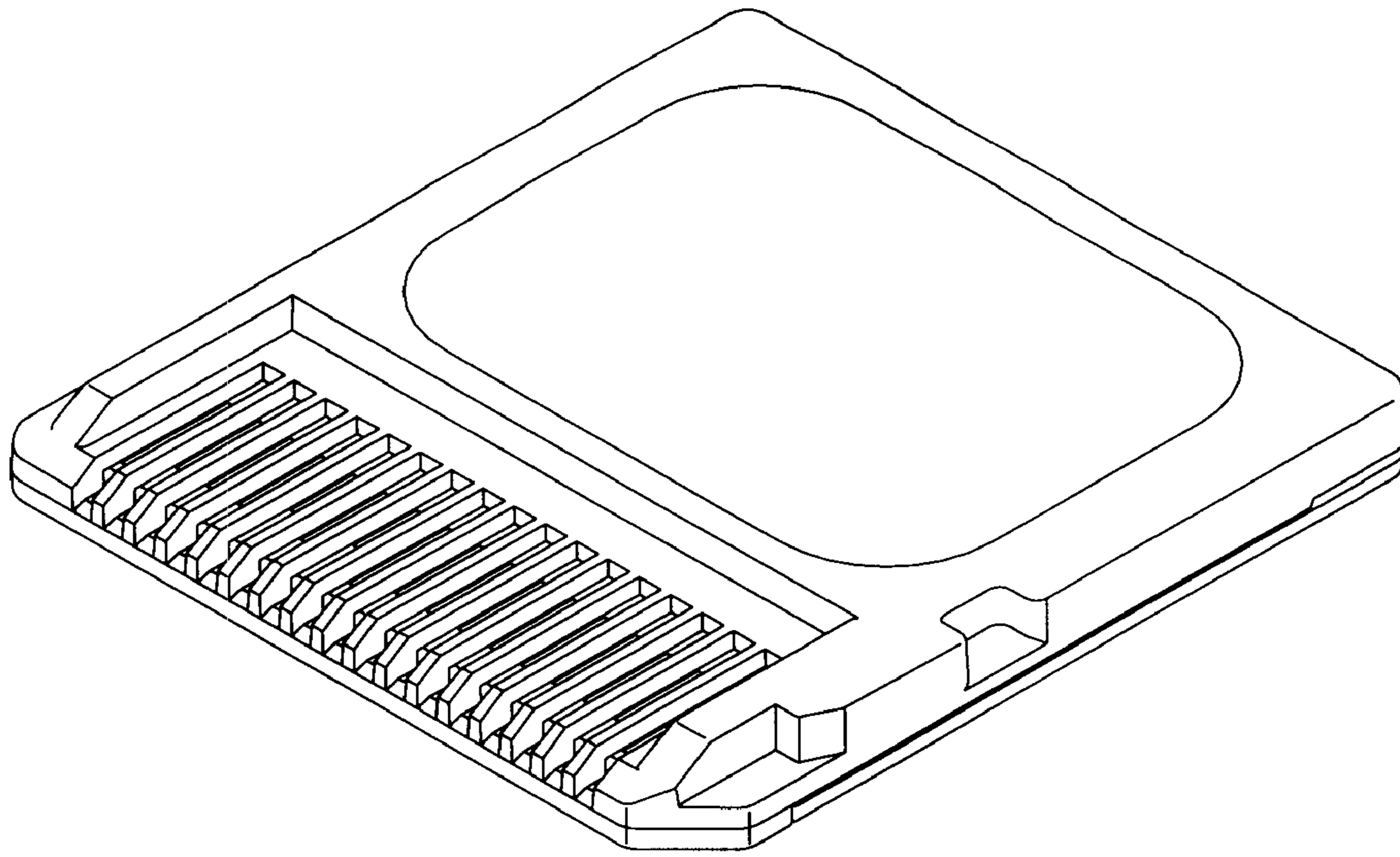


Fig. 24

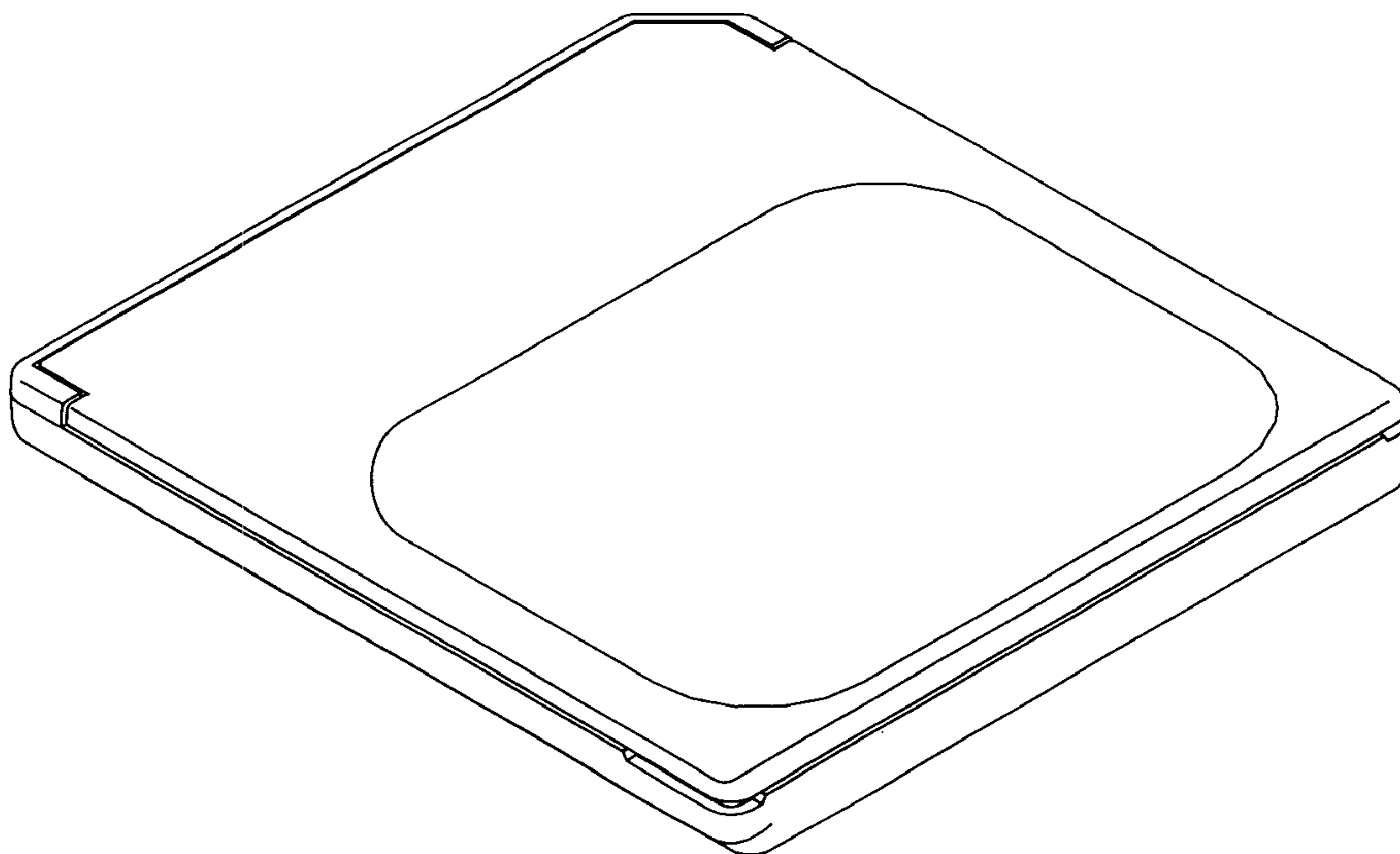


Fig. 25

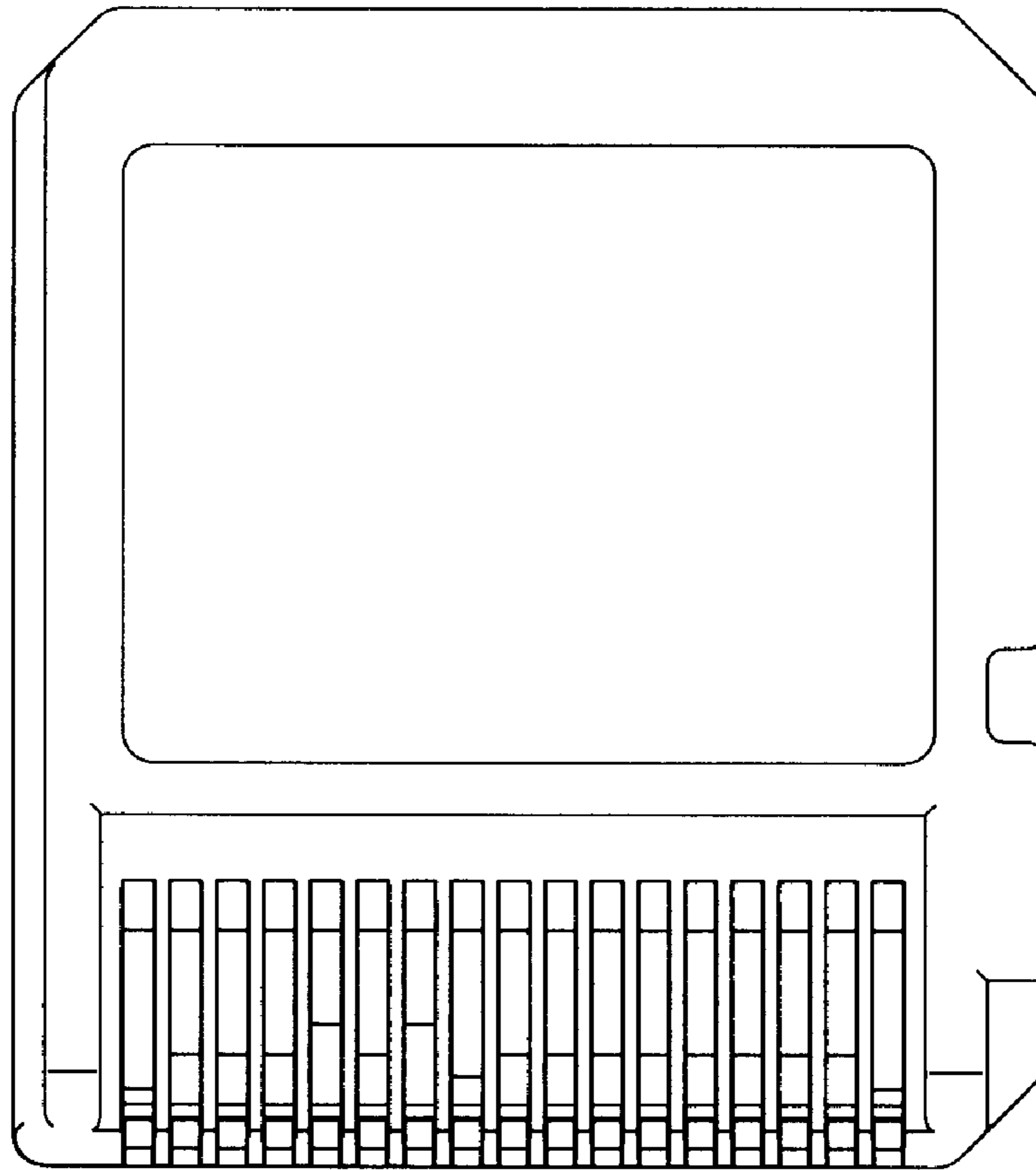


Fig. 26

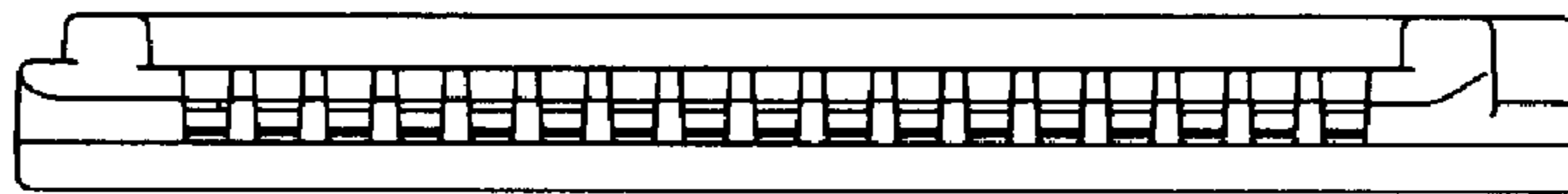


Fig. 27

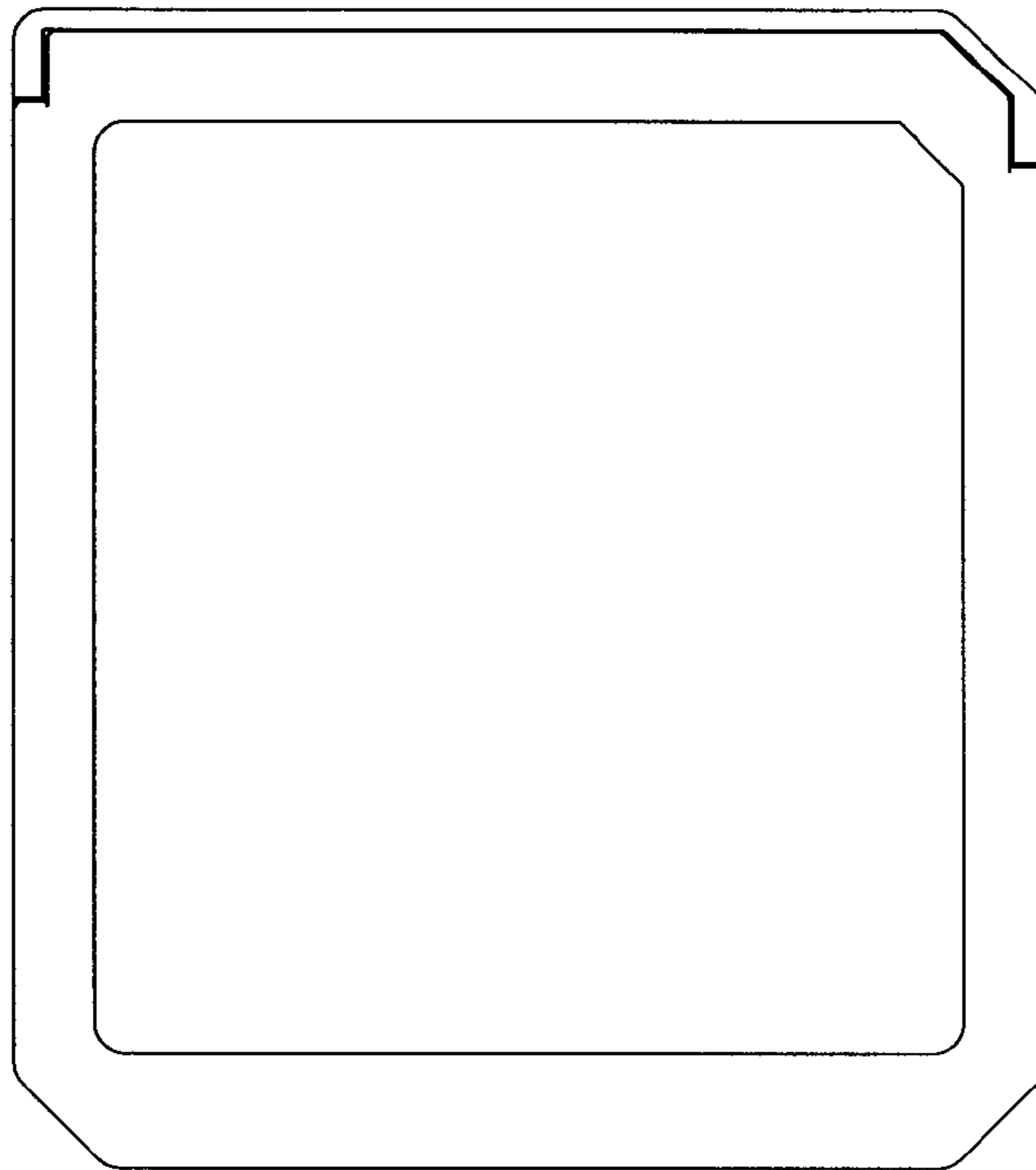


Fig. 28

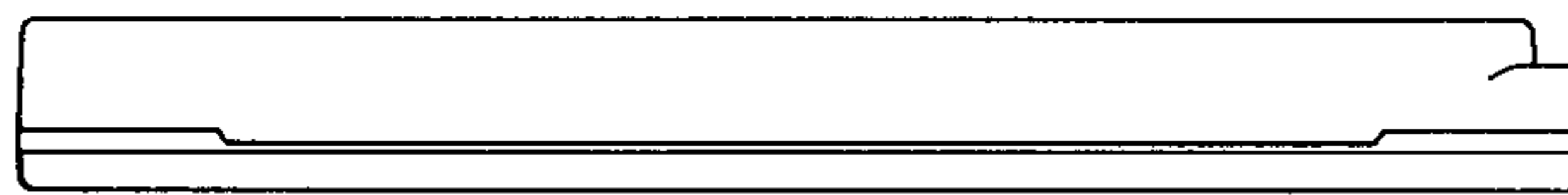


Fig. 29

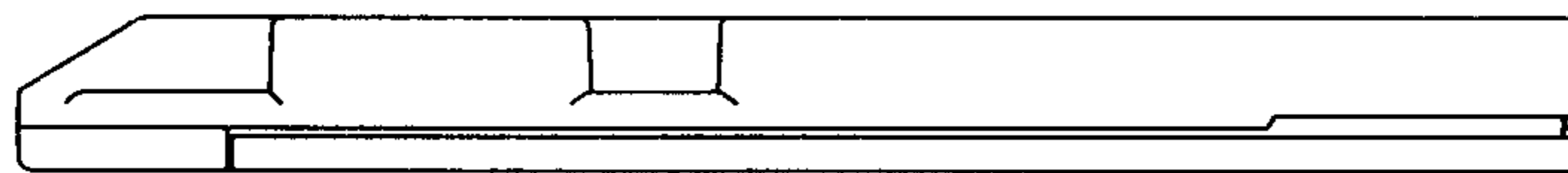


Fig. 30

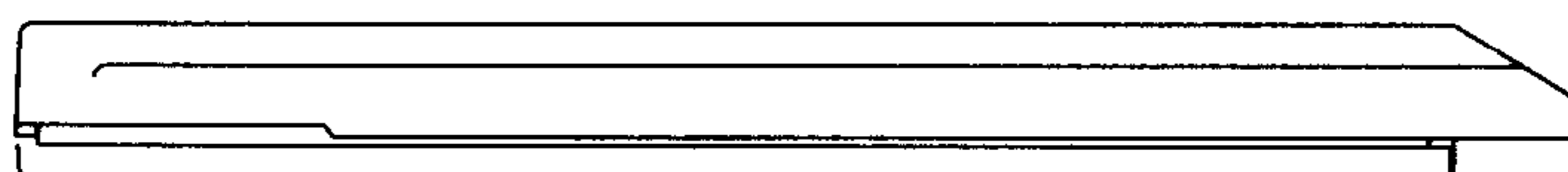


Fig. 31

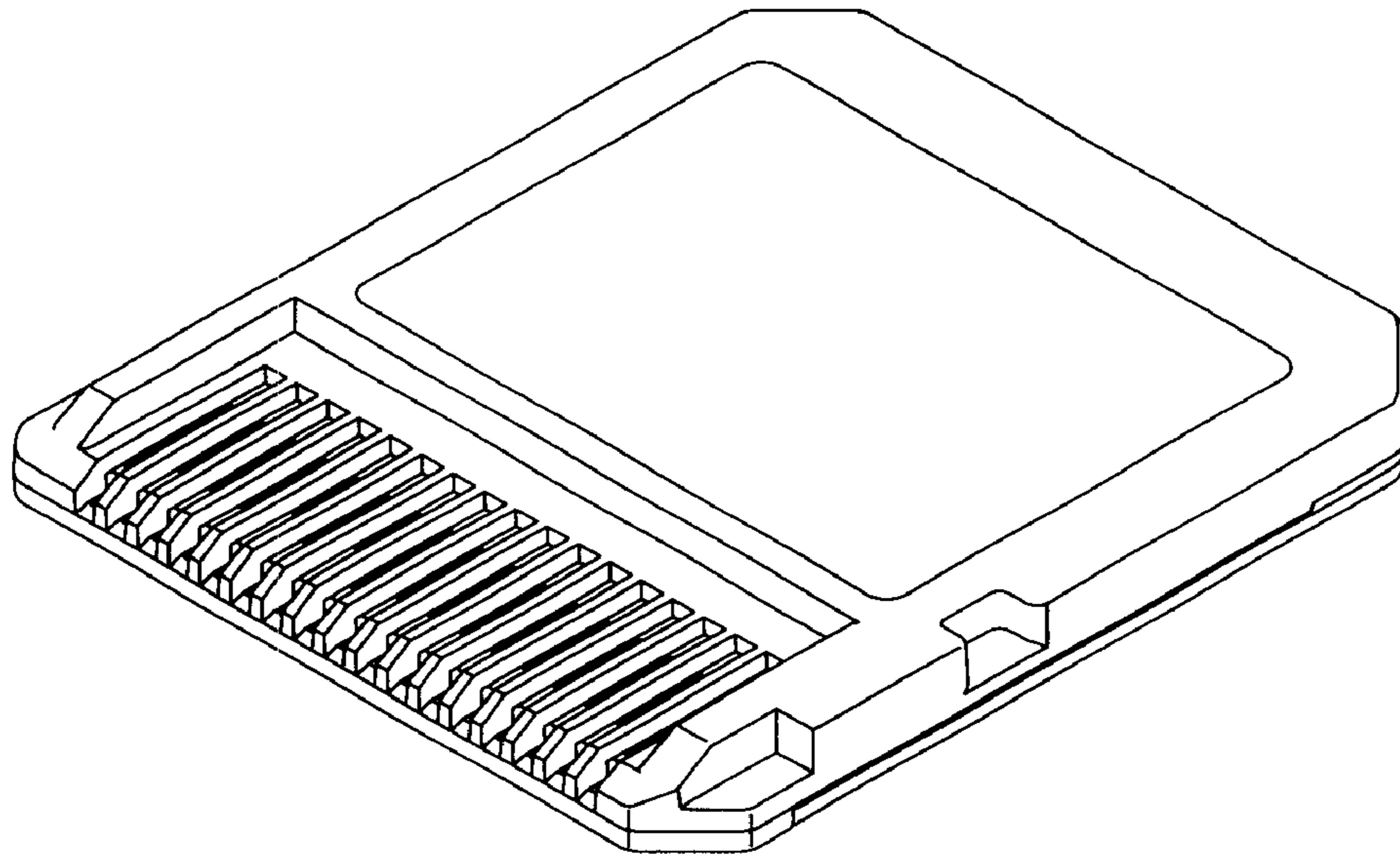


Fig. 32

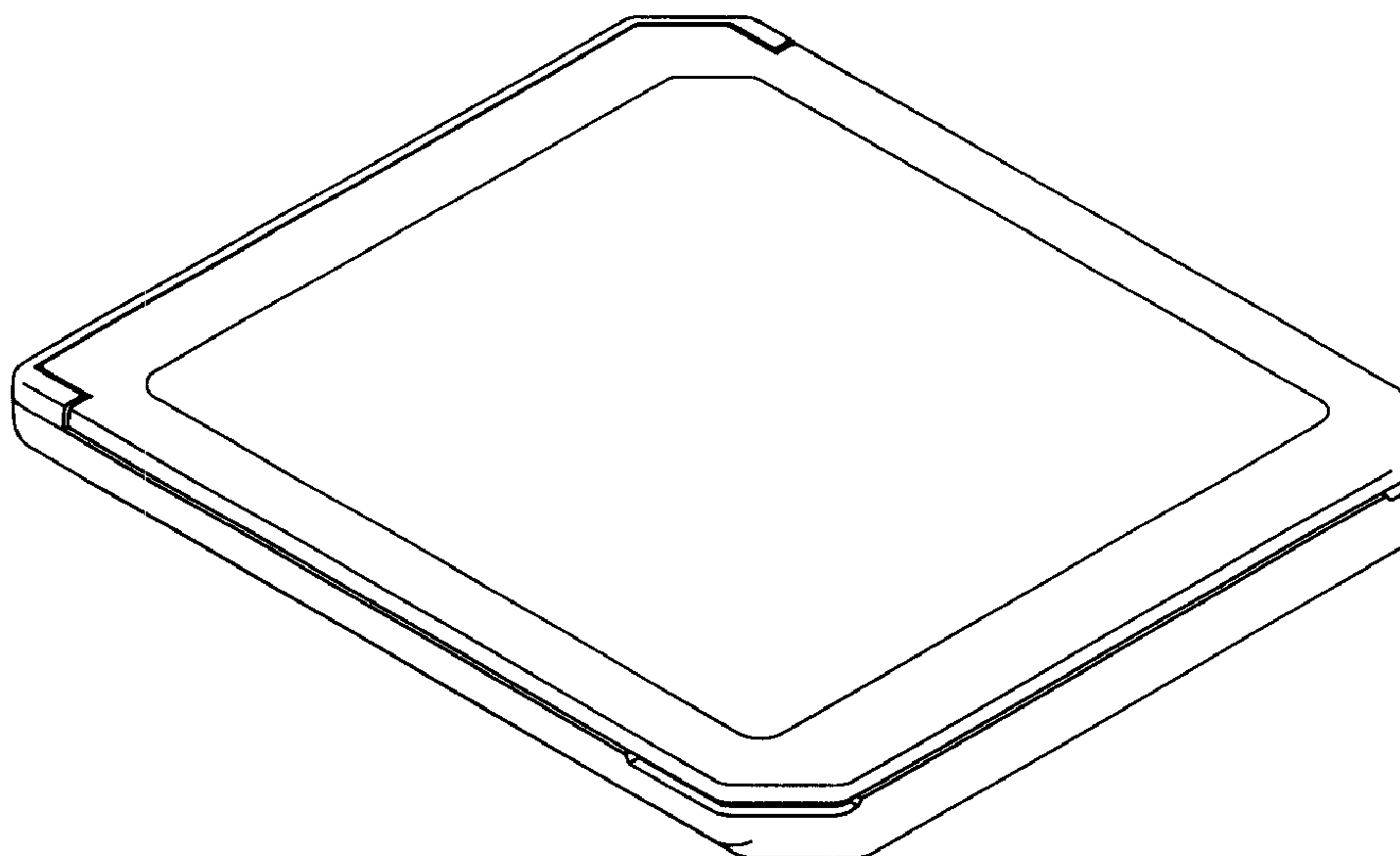


Fig. 33

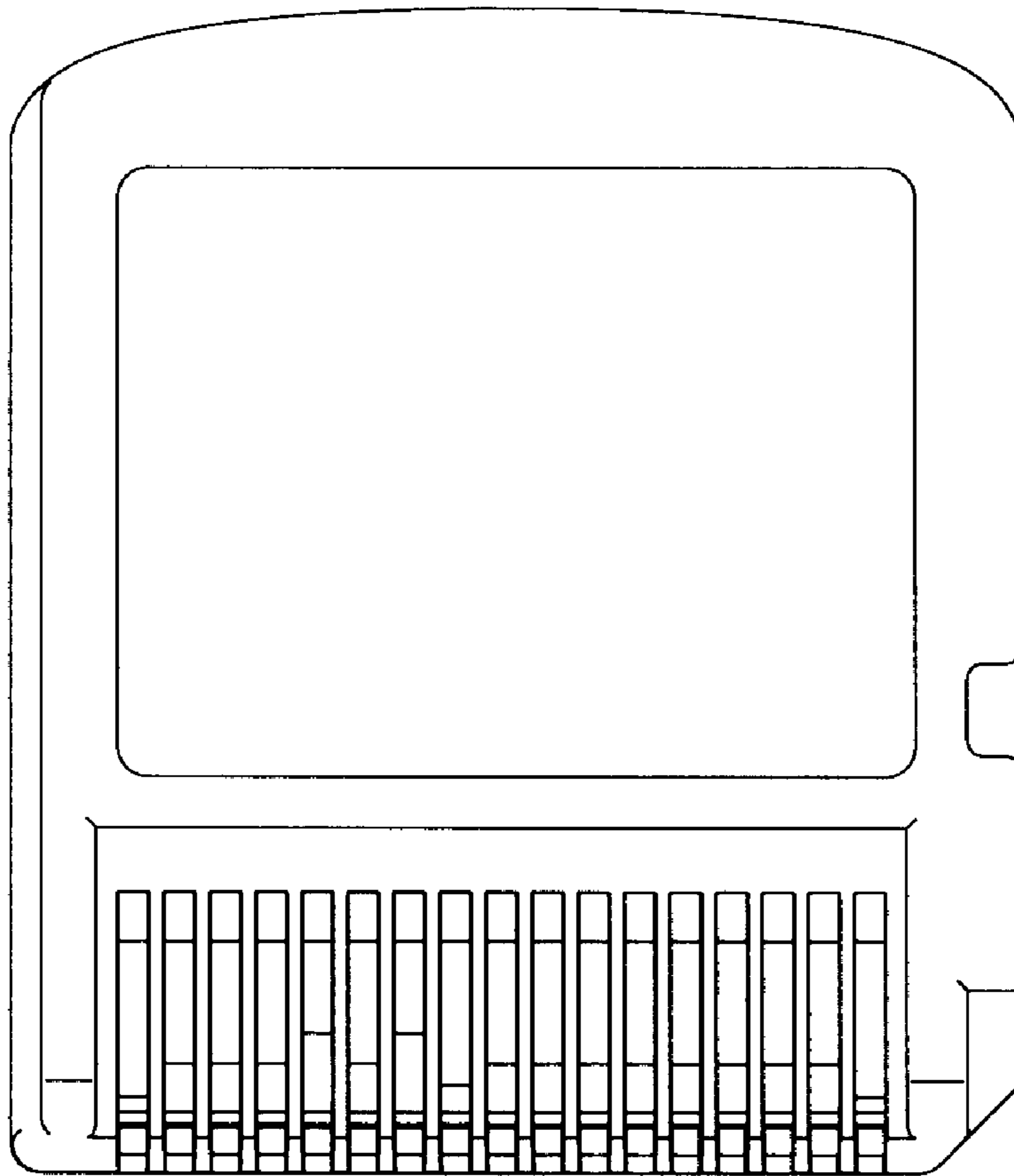


Fig. 34

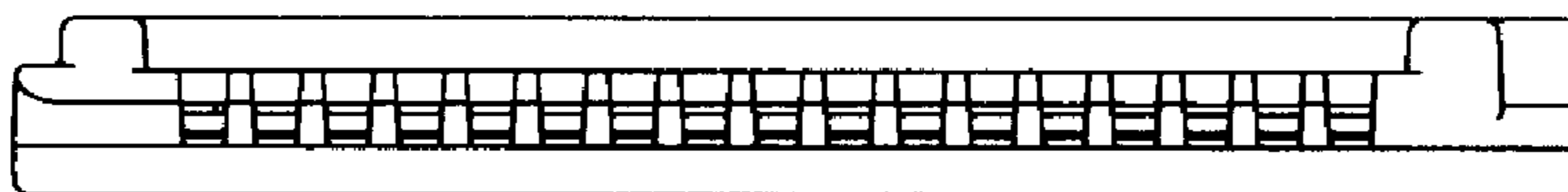


Fig. 35

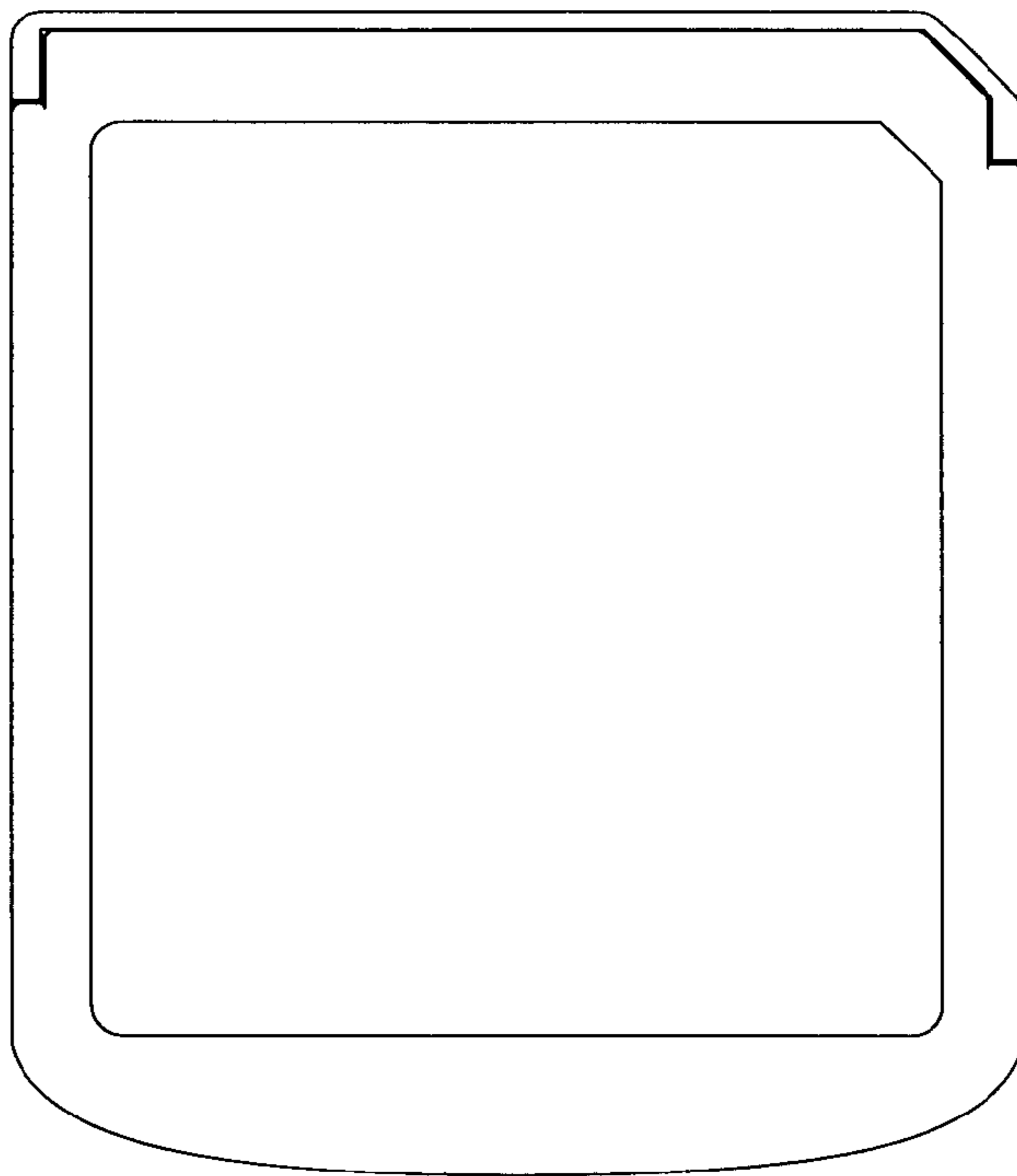


Fig. 36

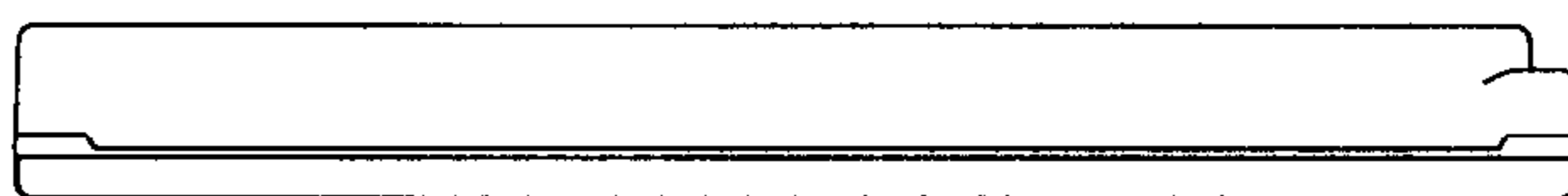


Fig. 37

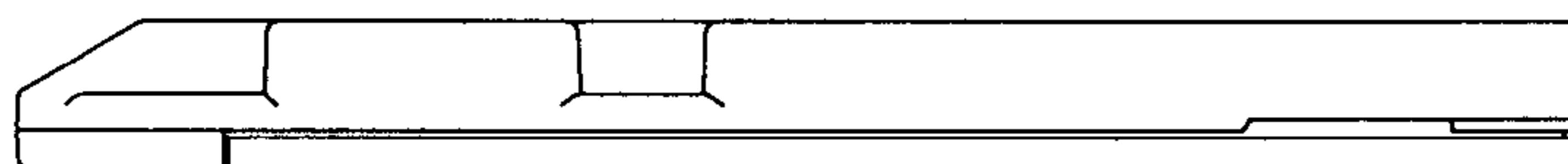


Fig. 38

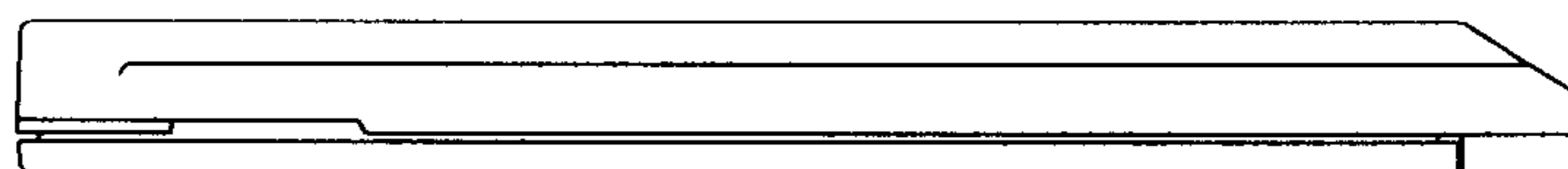


Fig. 39

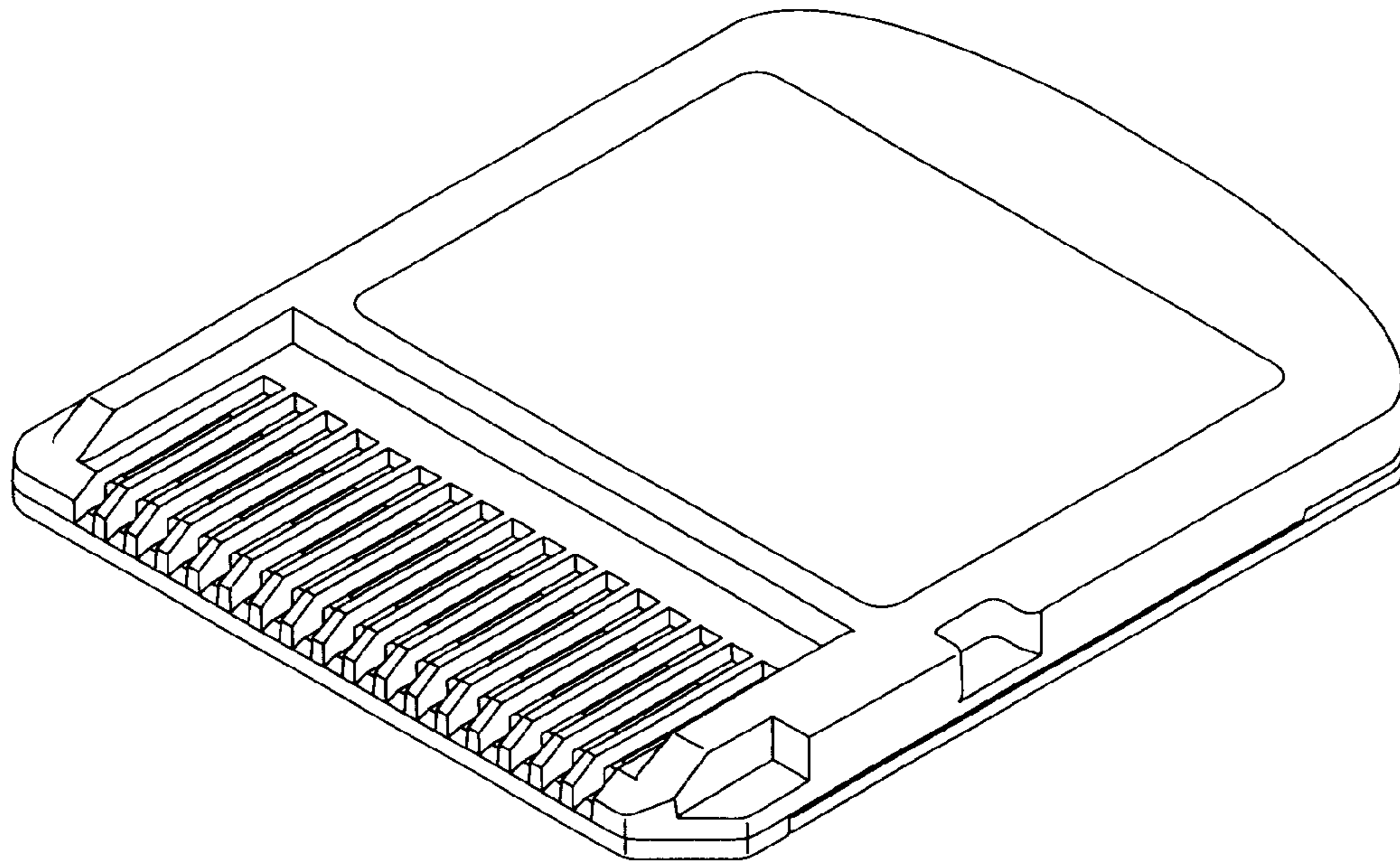


Fig. 40

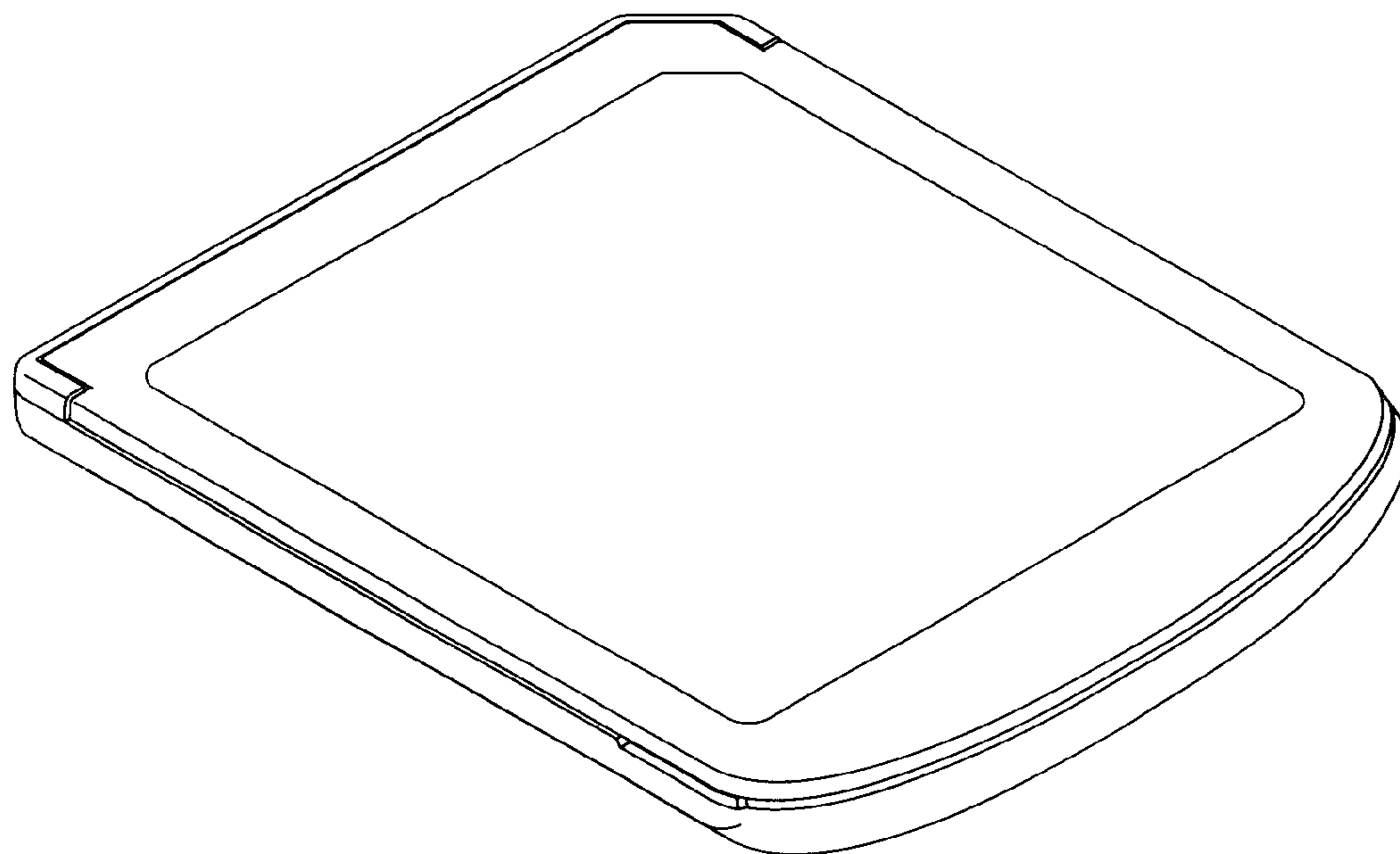


Fig. 41

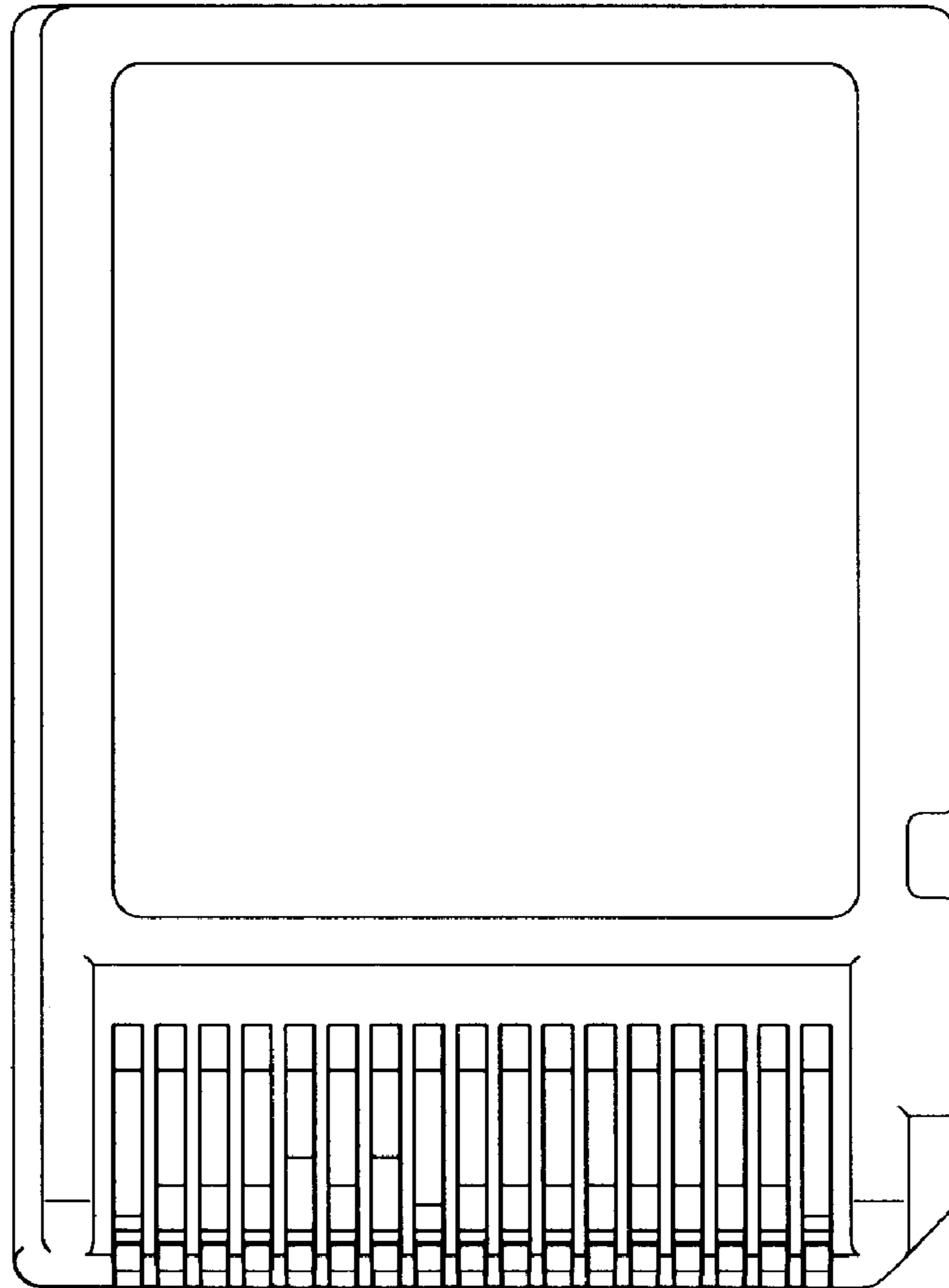


Fig. 42

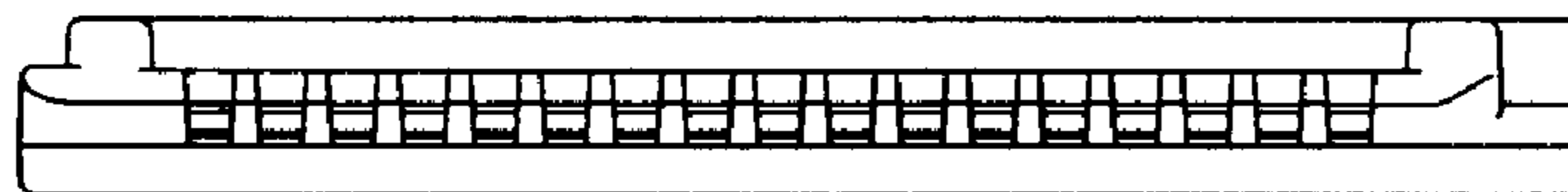


Fig. 43

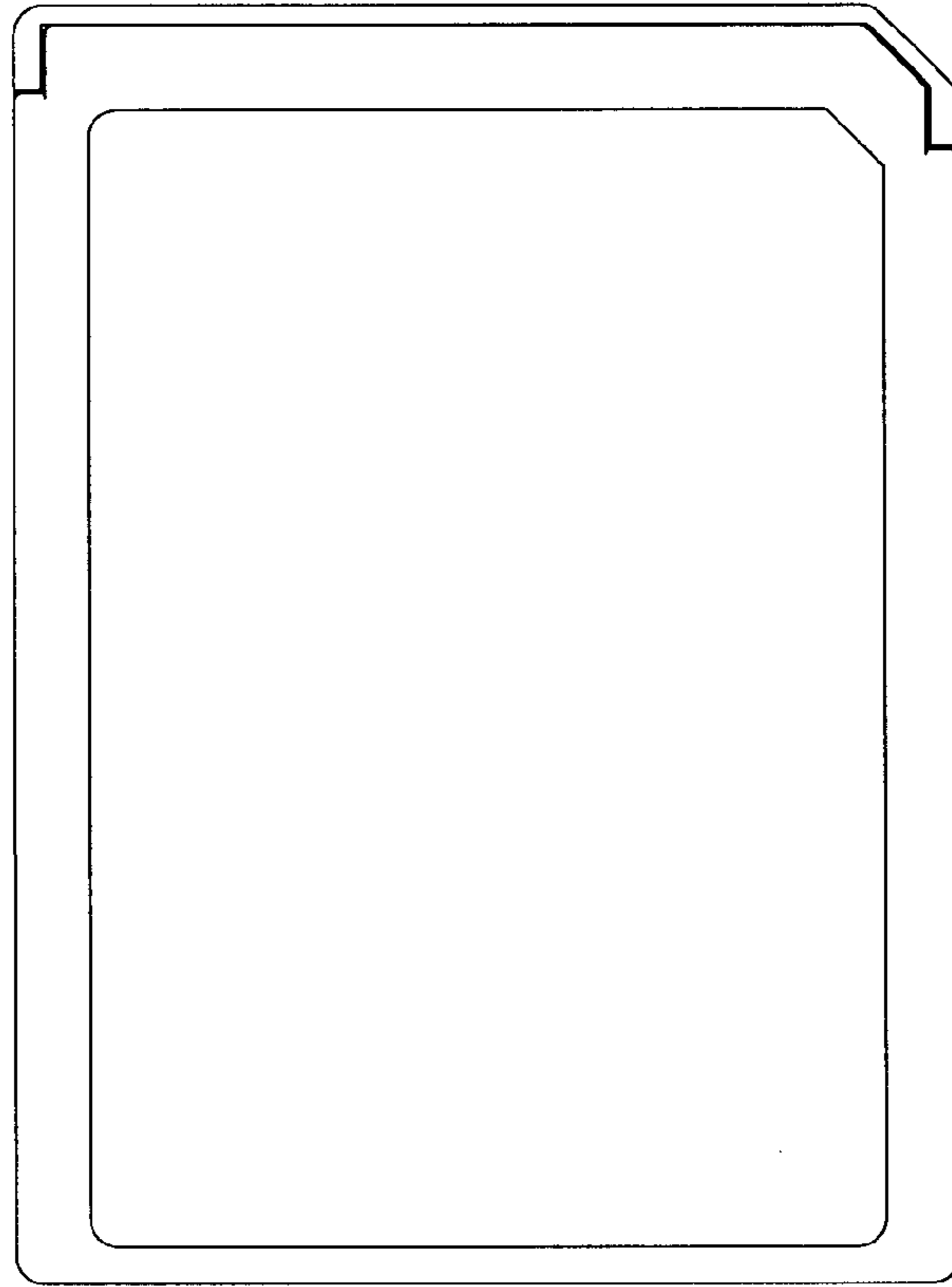


Fig. 44

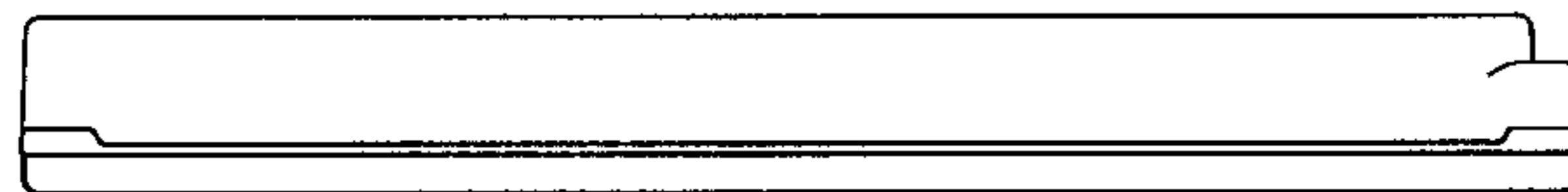


Fig. 45

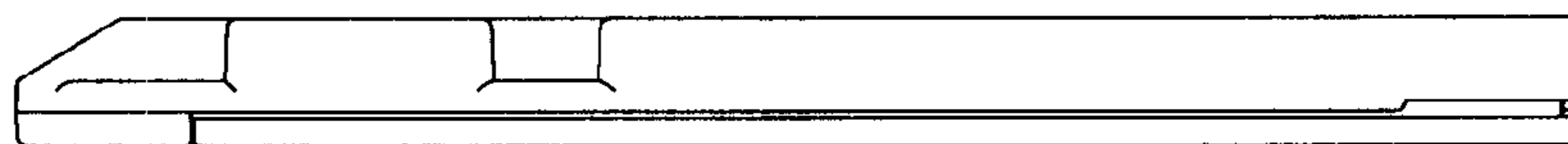


Fig. 46

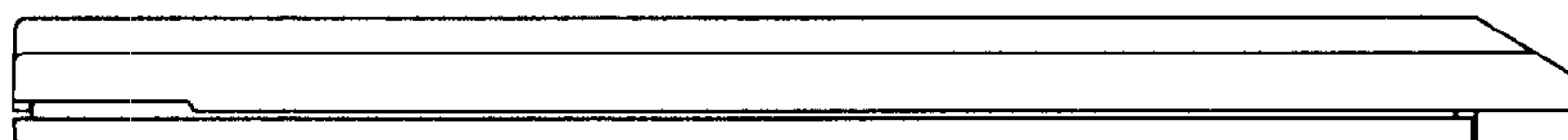


Fig. 47

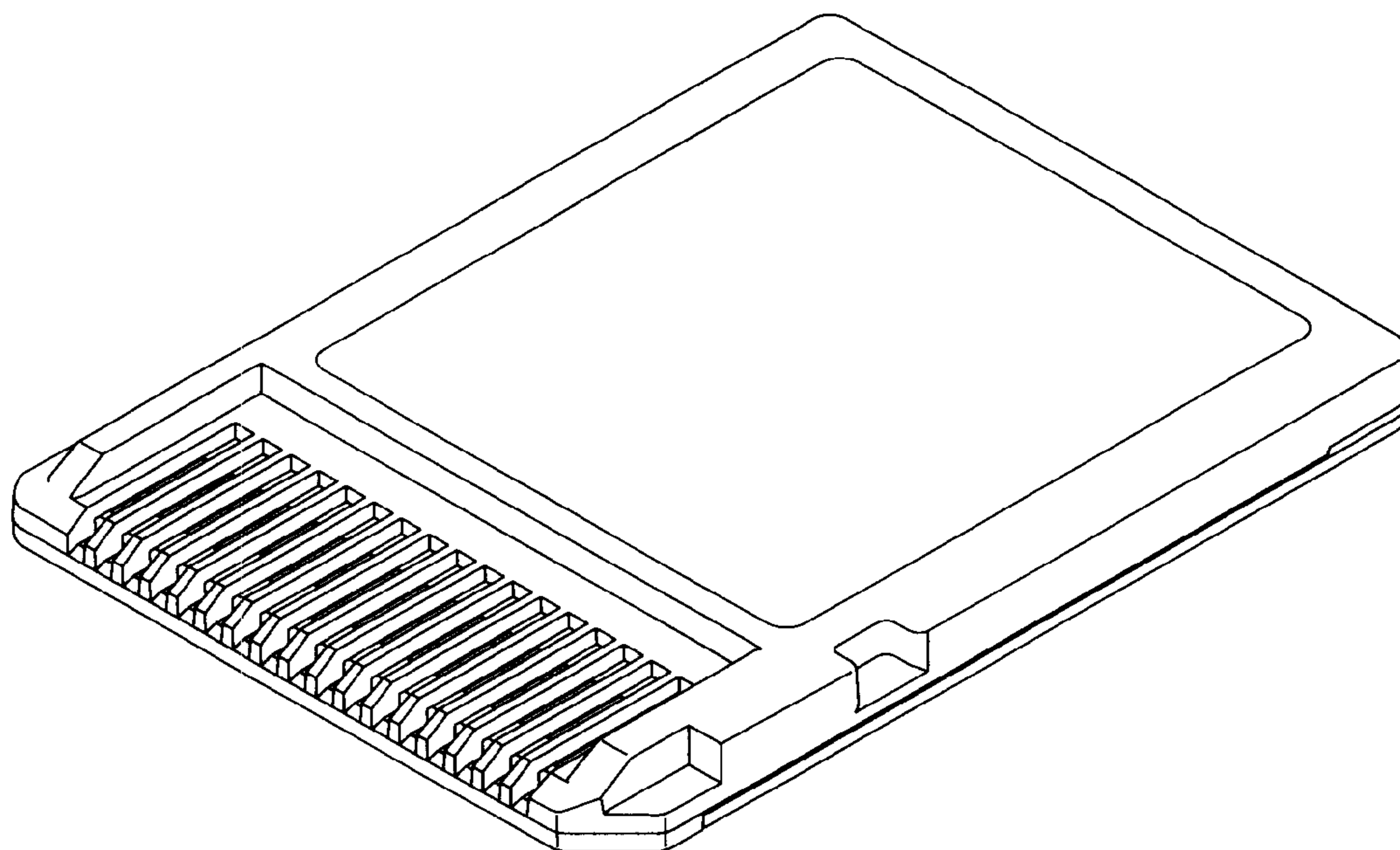


Fig. 48

