



US00D536375S

(12) **United States Design Patent**
Potter et al.

(10) **Patent No.:** **US D536,375 S**

(45) **Date of Patent:** **** Feb. 6, 2007**

(54) **DISC MAILER**

(75) Inventors: **Thomas C. Potter**, Oak Hill, VA (US);
Christopher M. Stratton, Springfield,
VA (US); **Hernan A. Borja**, Merrifield,
VA (US)

(73) Assignee: **United States Postal Service**,
Washington, DC (US)

(**) Term: **14 Years**

(21) Appl. No.: **29/214,217**

(22) Filed: **Sep. 30, 2004**

(51) **LOC (8) Cl.** **19-01**

(52) **U.S. Cl.** **D19/3**

(58) **Field of Classification Search** D19/1-8;
D9/433; 229/72, 74, 92.1, 92.7-92.8, 300-301,
229/305-306; 281/2; 283/62, 105, 106
See application file for complete search history.

(56) **References Cited**

U.S. PATENT DOCUMENTS

3,306,632 A * 2/1967 Stahmer 229/92.1

(Continued)

Primary Examiner—Louis Zarfaz

Assistant Examiner—Mark Cavanna

(74) *Attorney, Agent, or Firm*—Finnegan, Henderson,
Farabow, Garrett & Dunner, LLP

(57) **CLAIM**

The ornamental design for a disc mailer, as shown and described.

DESCRIPTION

FIG. 1 is a right front perspective view of a disc mailer of our new design in a fully folded, closed configuration, where the vertical running coiled lines are the edges of folded layers of sheet material that comprises the disc mailer, the dotted lines depict perforations in the material and the

elements represented by dashed lines are environment and form no part of the claimed design;

FIG. 2 is a front view of the article of FIG. 1, the elements represented by dashed lines are environment and form no part of the claimed design;

FIG. 3 is a rear view of the article of FIG. 1;

FIG. 4 is a left-end view of the article of FIG. 1, the dotted lines depict perforations in the material;

FIG. 5 is a right-side view of the article of FIG. 1, the dotted lines depict perforations in the material;

FIG. 6 is a top view of the article of FIG. 1, the dotted lines depict perforations in the material;

FIG. 7 is a bottom view of the article of FIG. 1, the dotted lines depict perforations in the material;

FIG. 8 is a plan view of the article of FIG. 1 with the disc mailer in a flat, unfolded configuration, where the dotted line depicts a perforation in the material and the elements represented by dashed lines are environment and form no part of the claimed design;

FIG. 9 is a plan view of the article of FIG. 1 showing the side opposite that of FIG. 8, with the disc mailer in a flat, unfolded configuration, where the dotted lines depict perforations in the material and the elements represented by dashed lines are environment and form no part of the claimed design;

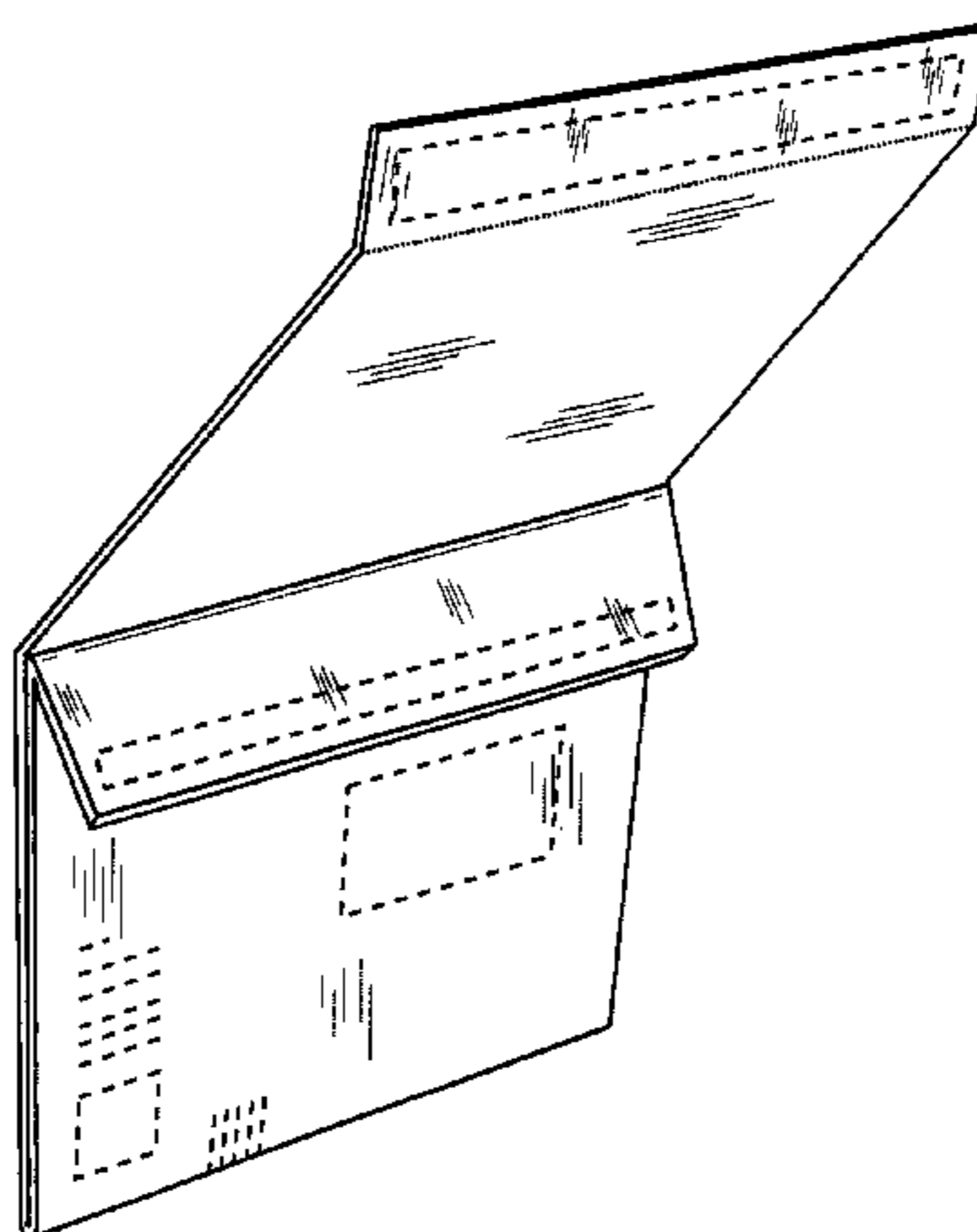
FIG. 10 is a right-end view of the article of FIG. 9 with the disc mailer in a flat, unfolded configuration, the left end view being identical thereto;

FIG. 11 is a top view of the article of FIG. 9 with the disc mailer in a flat, unfolded configuration, where dotted lines indicate perforations, the bottom view of the article of FIG. 9 being identical thereto;

FIG. 12 is a perspective view of the disc mailer in a partially folded configuration, where the dotted lines depicts a perforation and the elements represented by dashed lines are environment and form no part of the claimed design; and,

FIG. 13 is a perspective view of the article of FIG. 1 with the disc mailer in yet another partially folded configuration, where the dotted lines indicate perforations and the elements represented by dashed lines are environment and form no part of the claimed design.

1 Claim, 10 Drawing Sheets



US D536,375 S

Page 2

U.S. PATENT DOCUMENTS

4,186,868	A	*	2/1980	Coleman	229/92.1	5,318,222	A	*	6/1994	Bartlett	229/72
4,801,076	A	*	1/1989	Schoenleber et al.	229/92.7	6,152,357	A	*	11/2000	Schnitzer	229/74
4,865,247	A	*	9/1989	Grabner	229/92.8	6,644,538	B1	*	11/2003	Schnitzer	229/300
4,971,361	A	*	11/1990	Whiting	281/2	D510,383	S	*	10/2005	Potter et al.	D19/3
5,169,060	A	*	12/1992	Tighe et al.	229/301	6,951,279	B1	*	10/2005	Hodess et al.	229/305
5,292,062	A	*	3/1994	Chess	229/306							

* cited by examiner

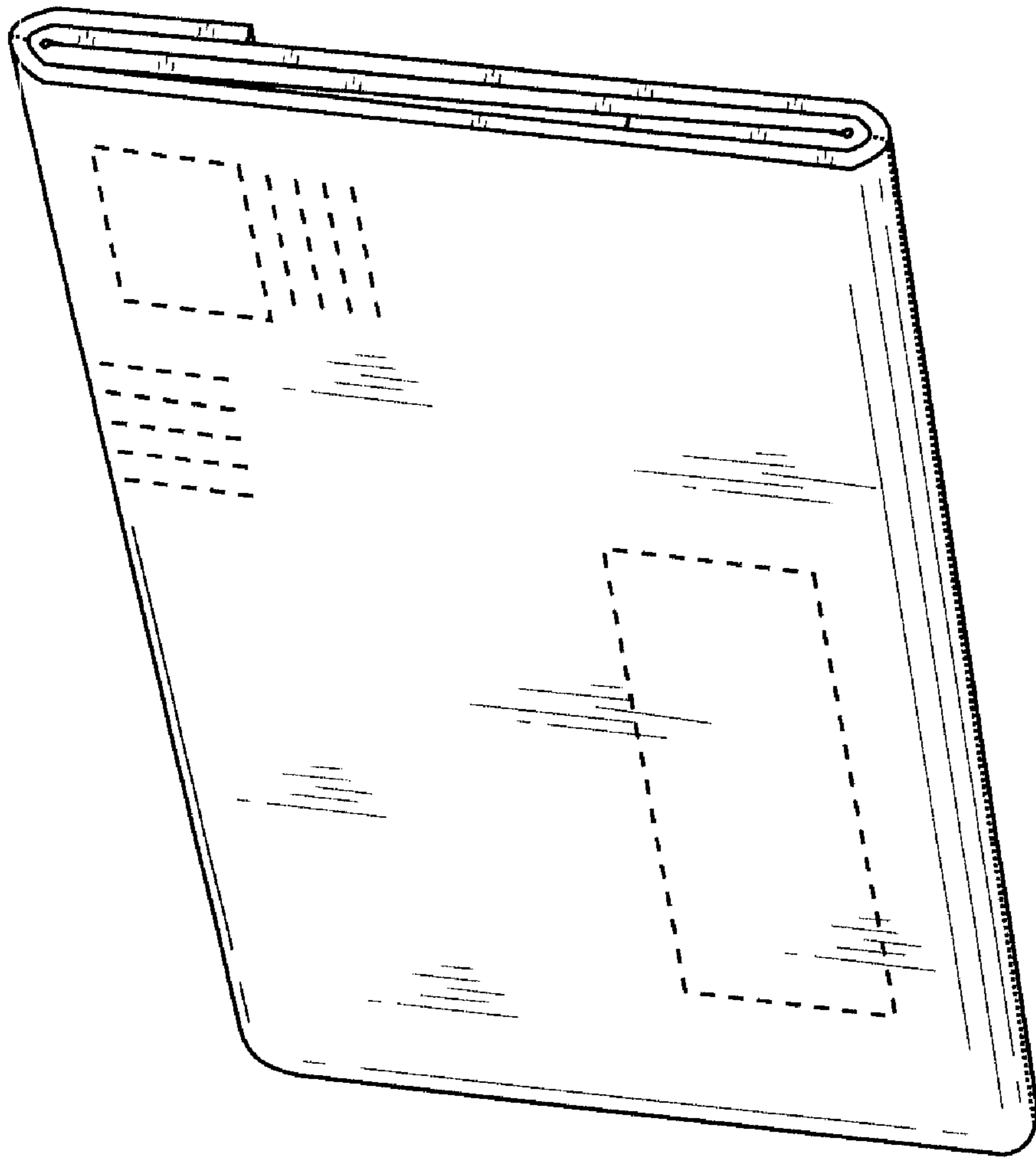


FIG. 1

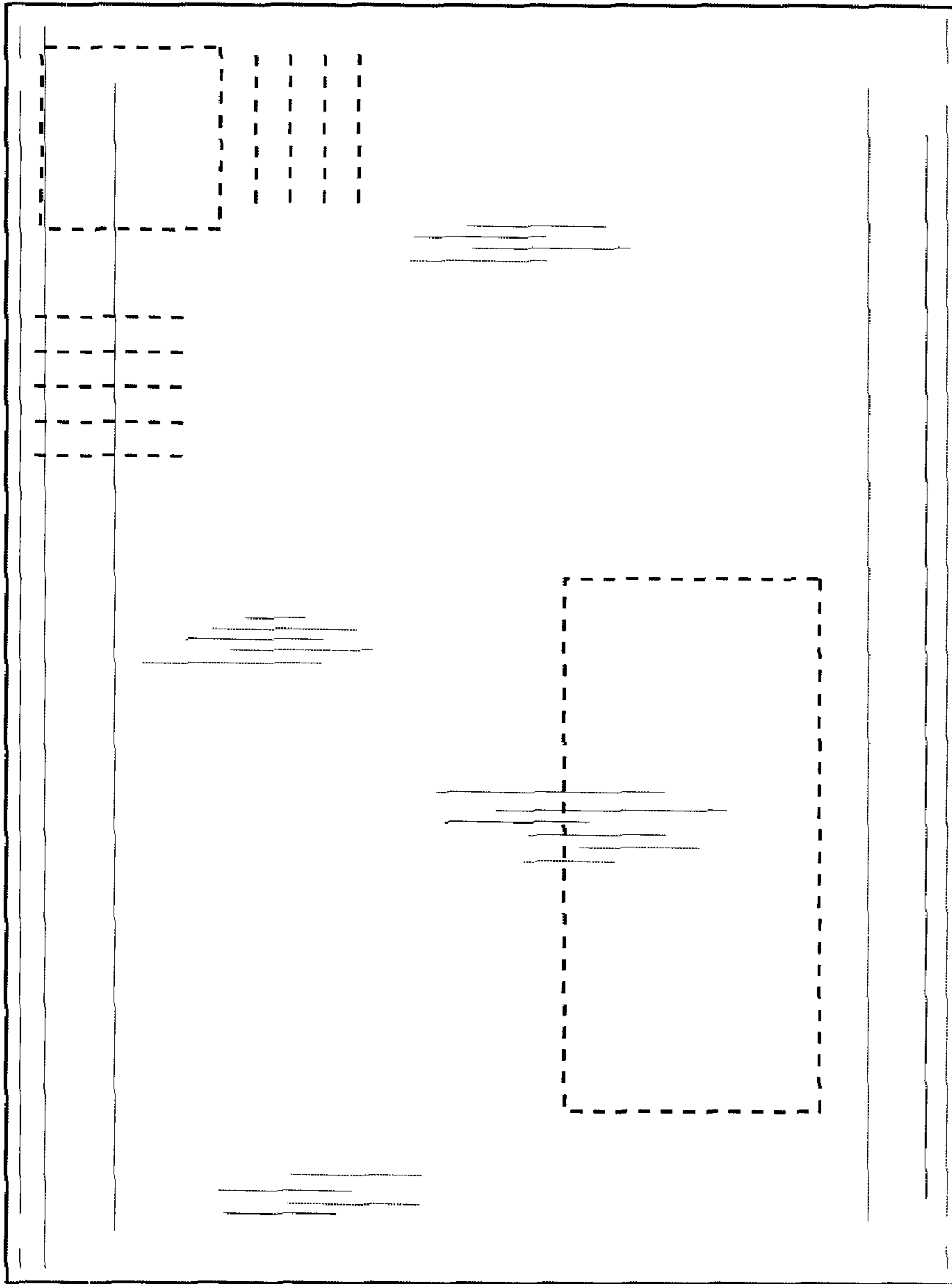


FIG. 2

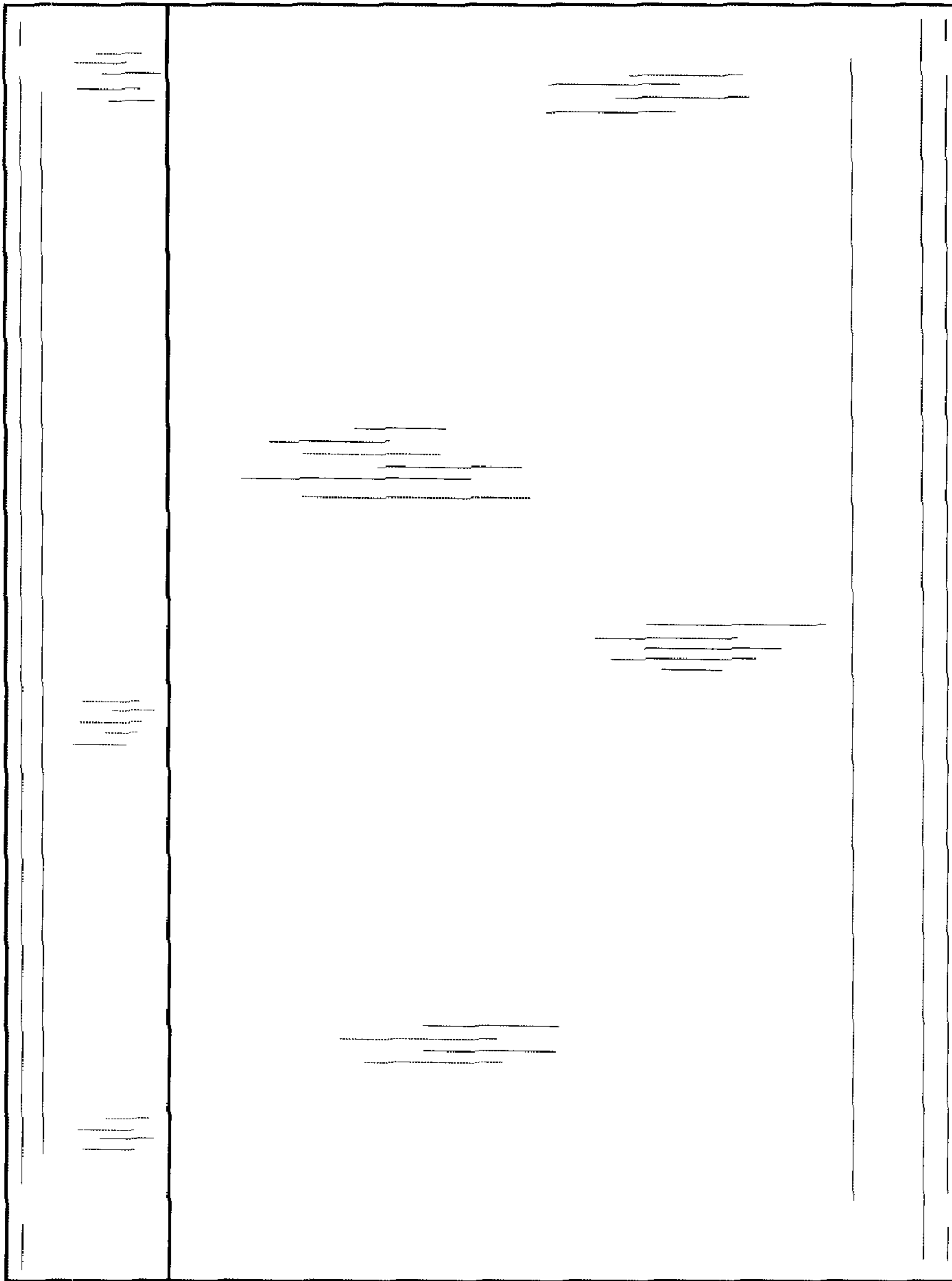


FIG. 3

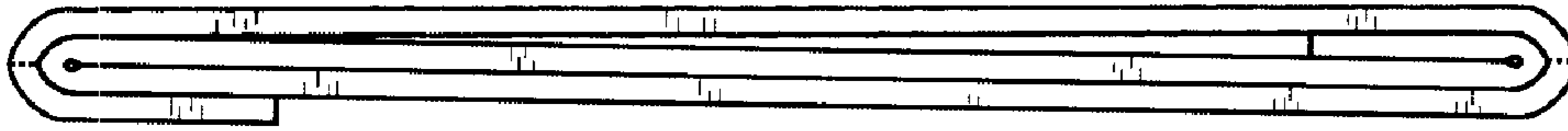


FIG. 5

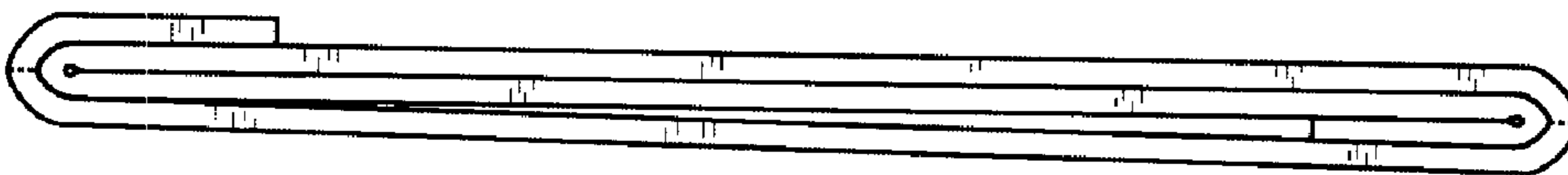


FIG. 4



FIG. 6

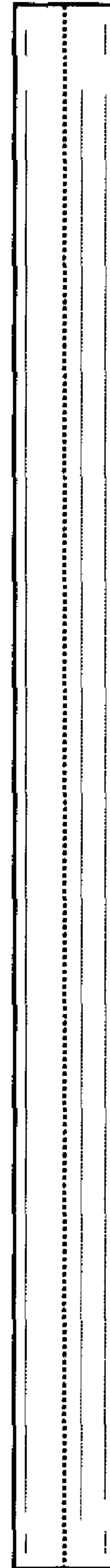


FIG. 7

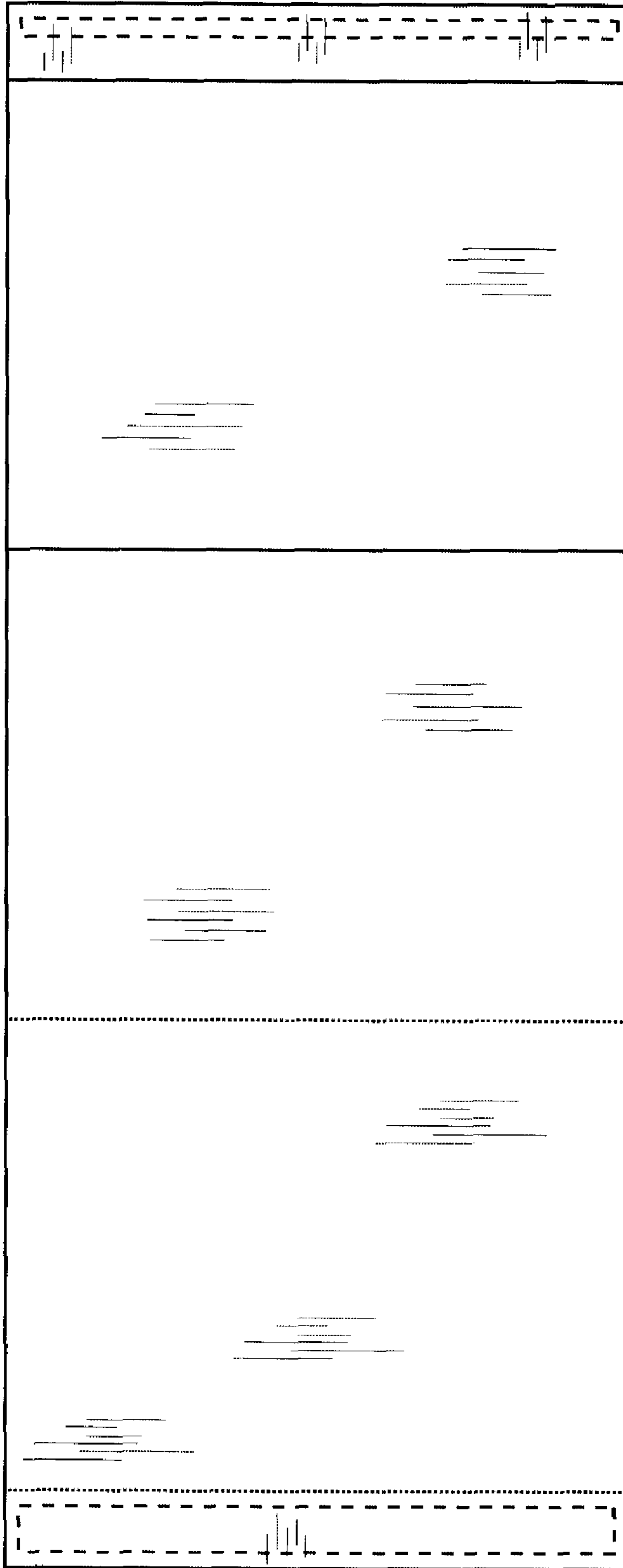


FIG. 8

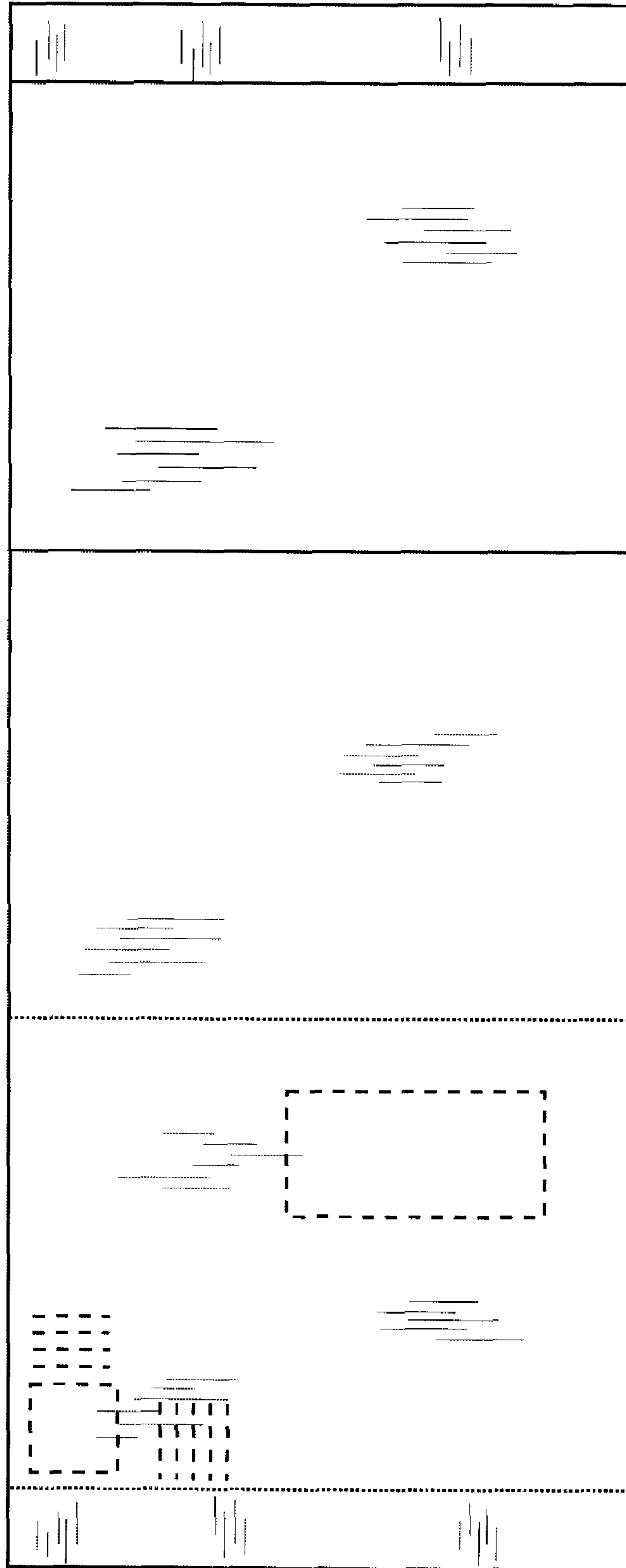


FIG. 9

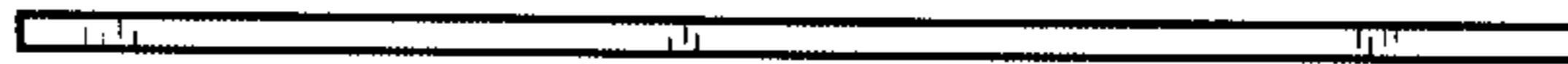


FIG. 10



FIG. 11

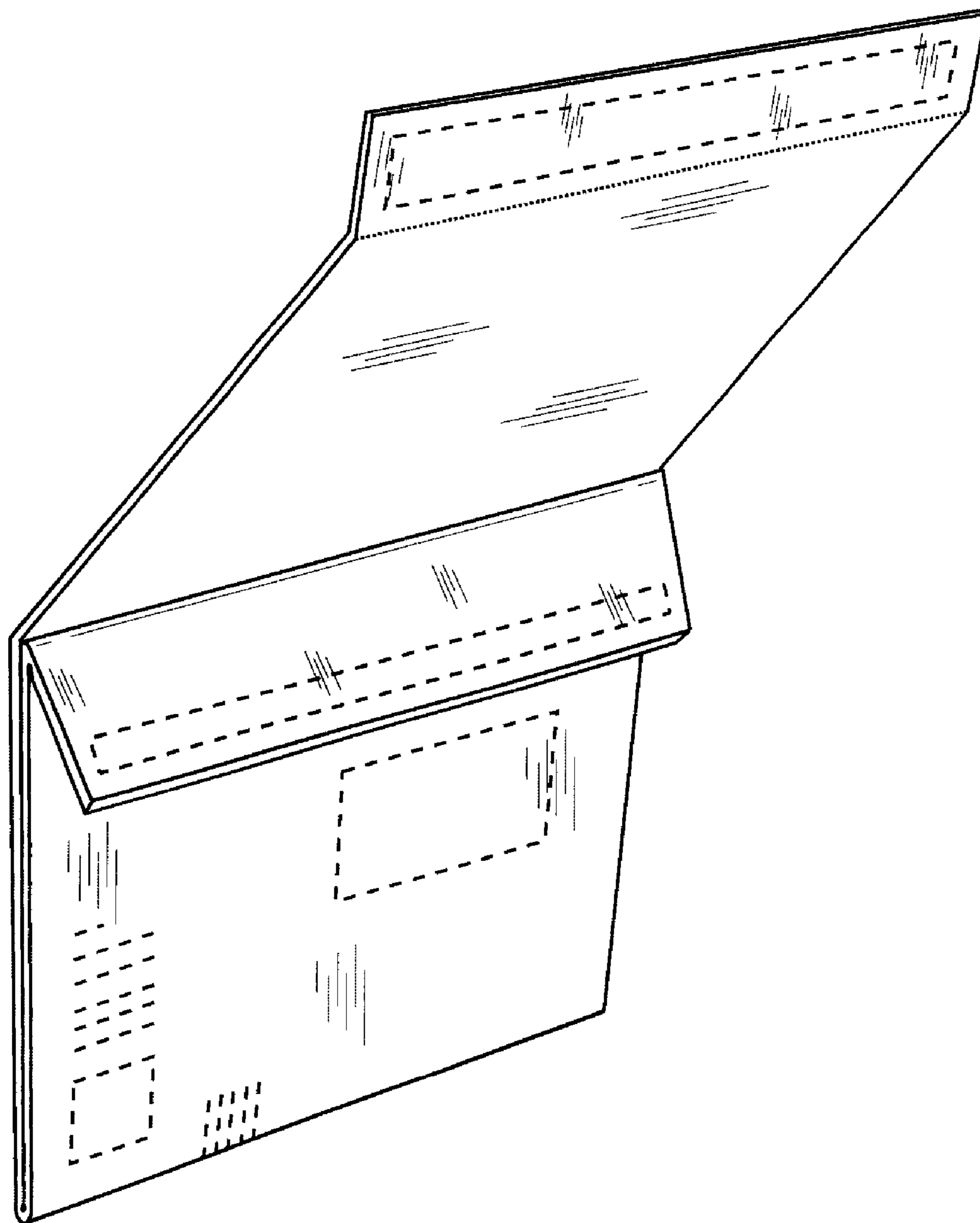


FIG. 12

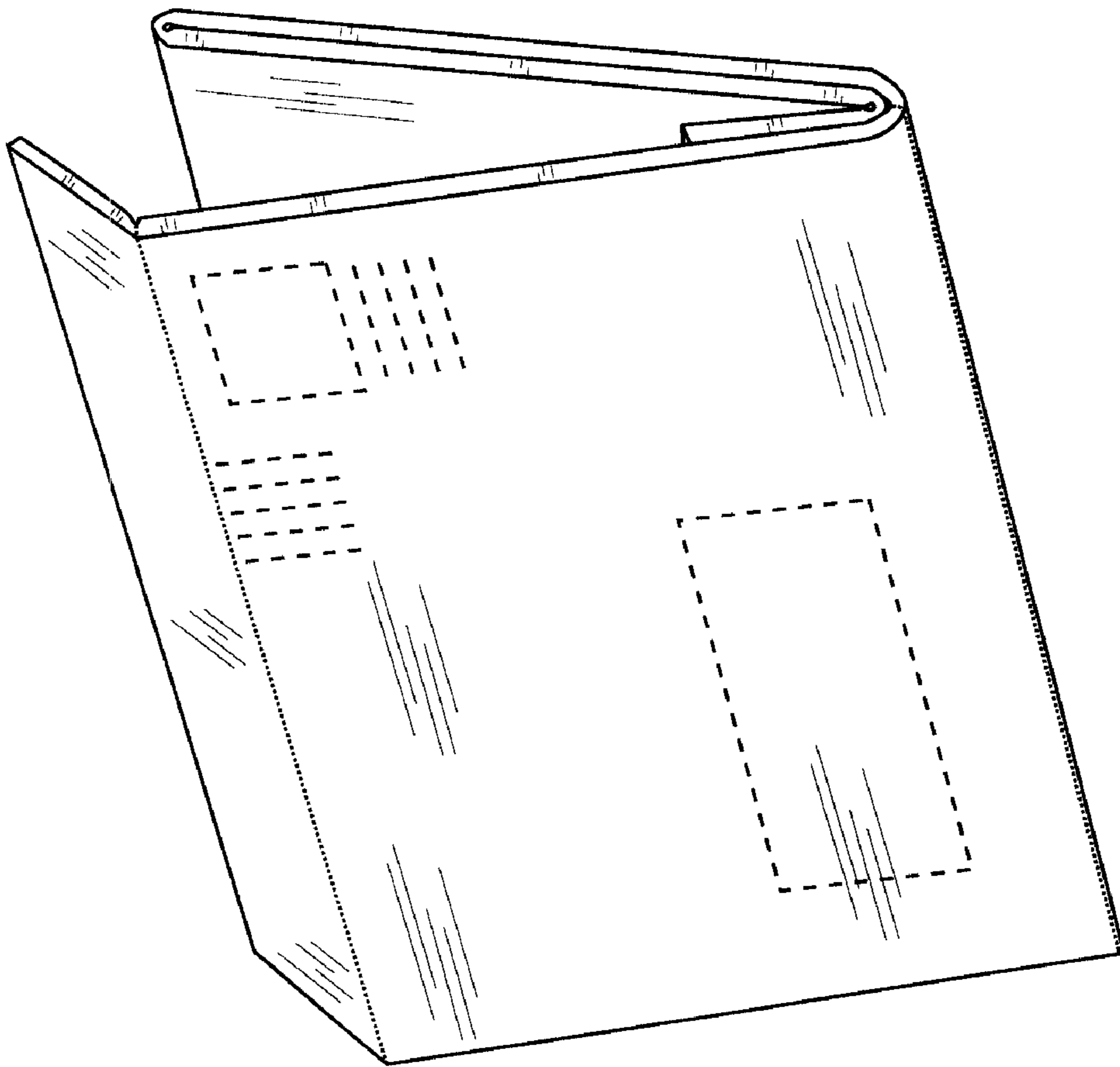


FIG. 13