



US00D536374S

(12) **United States Design Patent**  
**Shinada et al.**

(10) **Patent No.:** **US D536,374 S**  
(45) **Date of Patent:** **\*\* Feb. 6, 2007**

(54) **INK CARTRIDGE FOR PRINTER**

**DESCRIPTION**

(75) Inventors: **Satoshi Shinada**, Suwa (JP); **Yasuto Sakai**, Suwa (JP)

(73) Assignee: **Seiko Epson Corporation**, Tokyo (JP)

(\*\*) Term: **14 Years**

(21) Appl. No.: **29/185,503**

(22) Filed: **Jun. 26, 2003**

(30) **Foreign Application Priority Data**

Dec. 26, 2002	(JP)	.....	2002-036404
Dec. 26, 2002	(JP)	.....	2002-036406
May 6, 2003	(JP)	.....	2003-012532
May 6, 2003	(JP)	.....	2003-012533

(51) **LOC (8) Cl.** ..... **18-02**

(52) **U.S. Cl.** ..... **D18/56; 347/86**

(58) **Field of Classification Search** ..... D18/40,  
D18/43, 56; 347/86, 87

See application file for complete search history.

(56) **References Cited**

**U.S. PATENT DOCUMENTS**

D391,289	S	*	2/1998	Inoue et al.	.....	D18/56
D392,312	S	*	3/1998	Inoue et al.	.....	D18/56
D423,568	S	*	4/2000	Inoue et al.	.....	D18/56
D424,612	S	*	5/2000	Inoue et al.	.....	D18/56
6,082,852	A	*	7/2000	Soga et al.	.....	347/86
6,155,678	A		12/2000	Komplin et al.		

(Continued)

**FOREIGN PATENT DOCUMENTS**

CN 01337829.5 7/2002

(Continued)

*Primary Examiner*—Cathy Anne MacCormac

(74) *Attorney, Agent, or Firm*—Stroock & Stroock & Lavan LLP

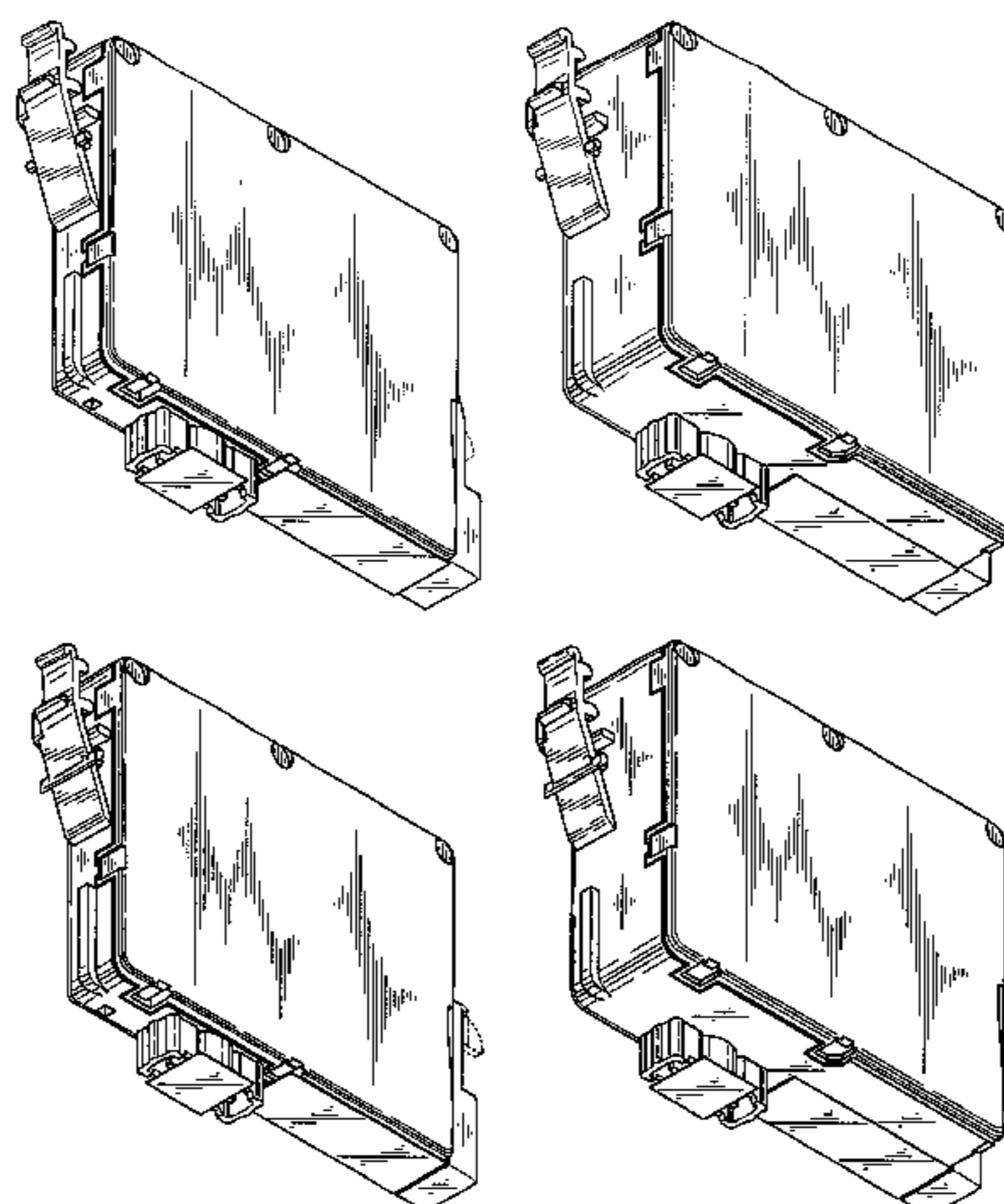
(57) **CLAIM**

The ornamental design for an ink cartridge for printer, as shown and described.

FIG. 1 is a bottom, front and left side perspective view of an ink cartridge for printer showing our new design; FIG. 2 is a top, rear and right side perspective view thereof; FIG. 3 is a front elevational view thereof; FIG. 4 is a rear elevational view thereof; FIG. 5 is a top plan view thereof; FIG. 6 is a bottom view thereof; FIG. 7 is a left side view thereof; FIG. 8 is right side view thereof; FIG. 9 is a bottom, front and left side perspective view of a second embodiment of an ink cartridge for printer; FIG. 10 is a top, rear and right side perspective view thereof; FIG. 11 is a front elevational view thereof; FIG. 12 is a rear elevational view thereof; FIG. 13 is a top plan view thereof; FIG. 14 is a bottom view thereof; FIG. 15 is a left side view thereof; FIG. 16 is right side view thereof; FIG. 17 is a bottom, front and left side perspective view of a third embodiment of an ink cartridge for printer; FIG. 18 is a top, rear and right side perspective view thereof; FIG. 19 is a front elevational view thereof; FIG. 20 is a rear elevational view thereof; FIG. 21 is a top plan view thereof; FIG. 22 is a bottom view thereof; FIG. 23 is a left side view thereof; FIG. 24 is a right side view thereof; FIG. 25 is a bottom, front and left side perspective view of a fourth embodiment of an ink cartridge for printer; FIG. 26 is a top, rear and right side perspective view thereof; FIG. 27 is a front elevational view thereof; FIG. 28 is a rear elevational view thereof; FIG. 29 is a top plan view thereof; FIG. 30 is a bottom view thereof; FIG. 31 is a left side view thereof; and, FIG. 32 is right side view thereof.

The broken lines are for illustrative purposes only and form no part of the claimed design.

**1 Claim, 12 Drawing Sheets**



# US D536,374 S

Page 2

---

## U.S. PATENT DOCUMENTS

D438,560 S \* 3/2001 Inoue et al. .... D18/56  
D453,184 S \* 1/2002 Ito et al. .... D18/56  
6,460,984 B1 10/2002 Matsumoto et al.  
D465,516 S \* 11/2002 Shinada et al. .... D18/56  
D466,151 S \* 11/2002 Shinada et al. .... D18/56

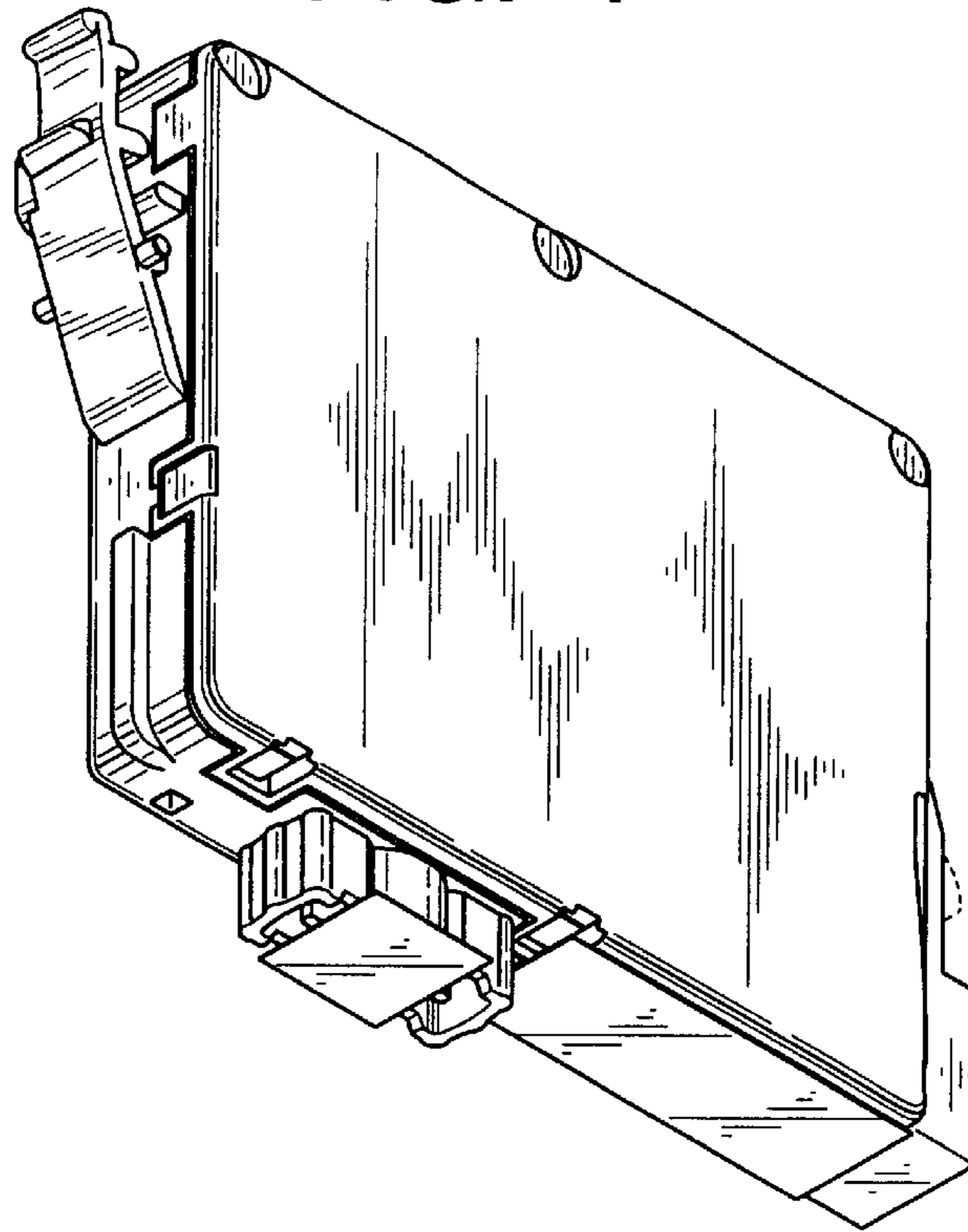
## FOREIGN PATENT DOCUMENTS

EP 0822084 A2 2/1998  
JP 1137598 4/2002  
JP 1137599 4/2002  
JP 1137600 4/2002  
JP 1137601 4/2002  
JP 1137602 4/2002  
JP 1137603 4/2002

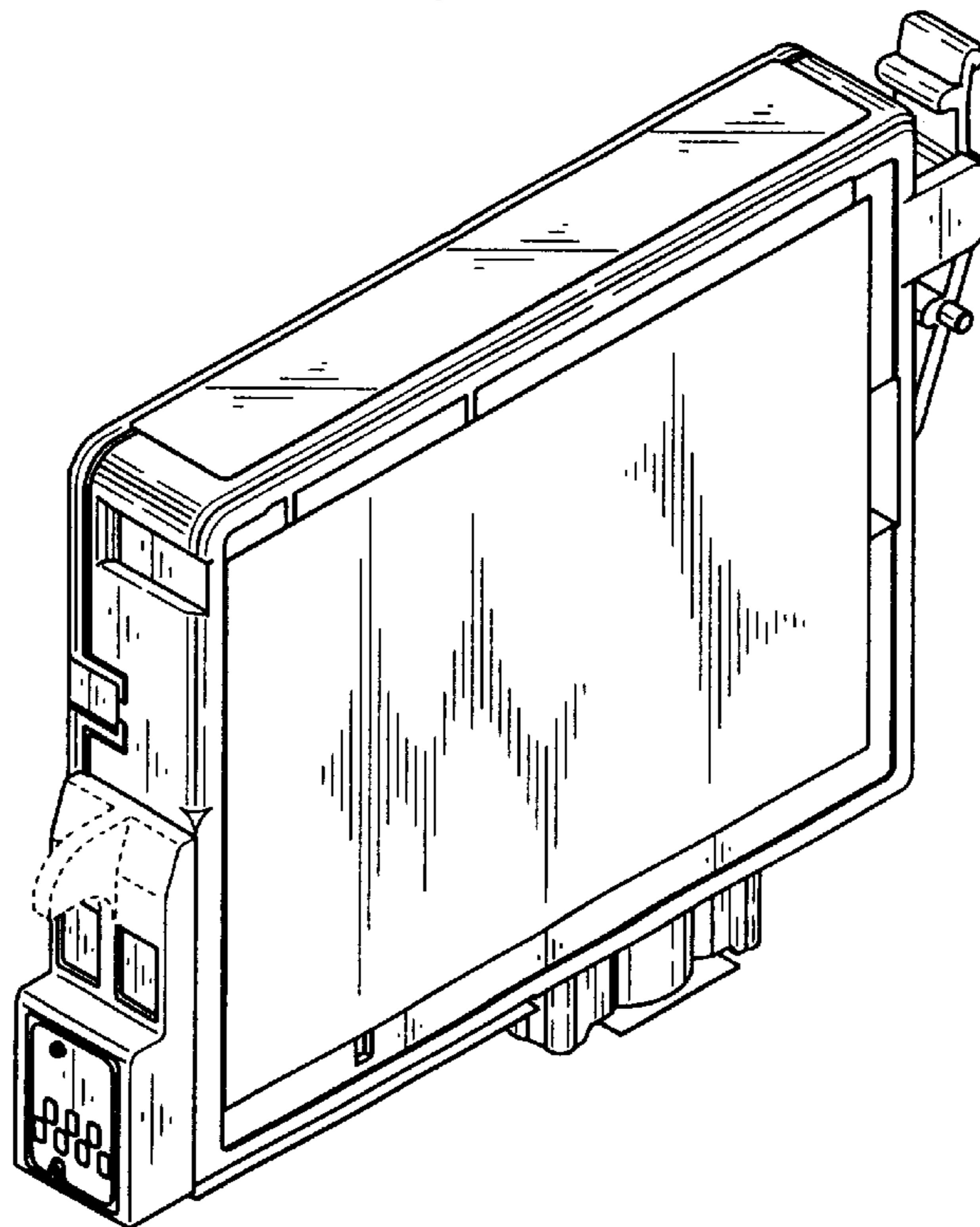
JP 1137604 4/2002  
JP 1137605 4/2002  
JP 1137854 4/2002  
JP 1137855 4/2002  
JP 1137856 4/2002  
JP 1137857 4/2002  
JP 1137858 4/2002  
JP 1137859 4/2002  
JP 1137860 4/2002  
JP 1137861 4/2002  
JP 1137862 4/2002  
JP D1191599 12/2003  
WO WO 01/54910 A2 8/2001

\* cited by examiner

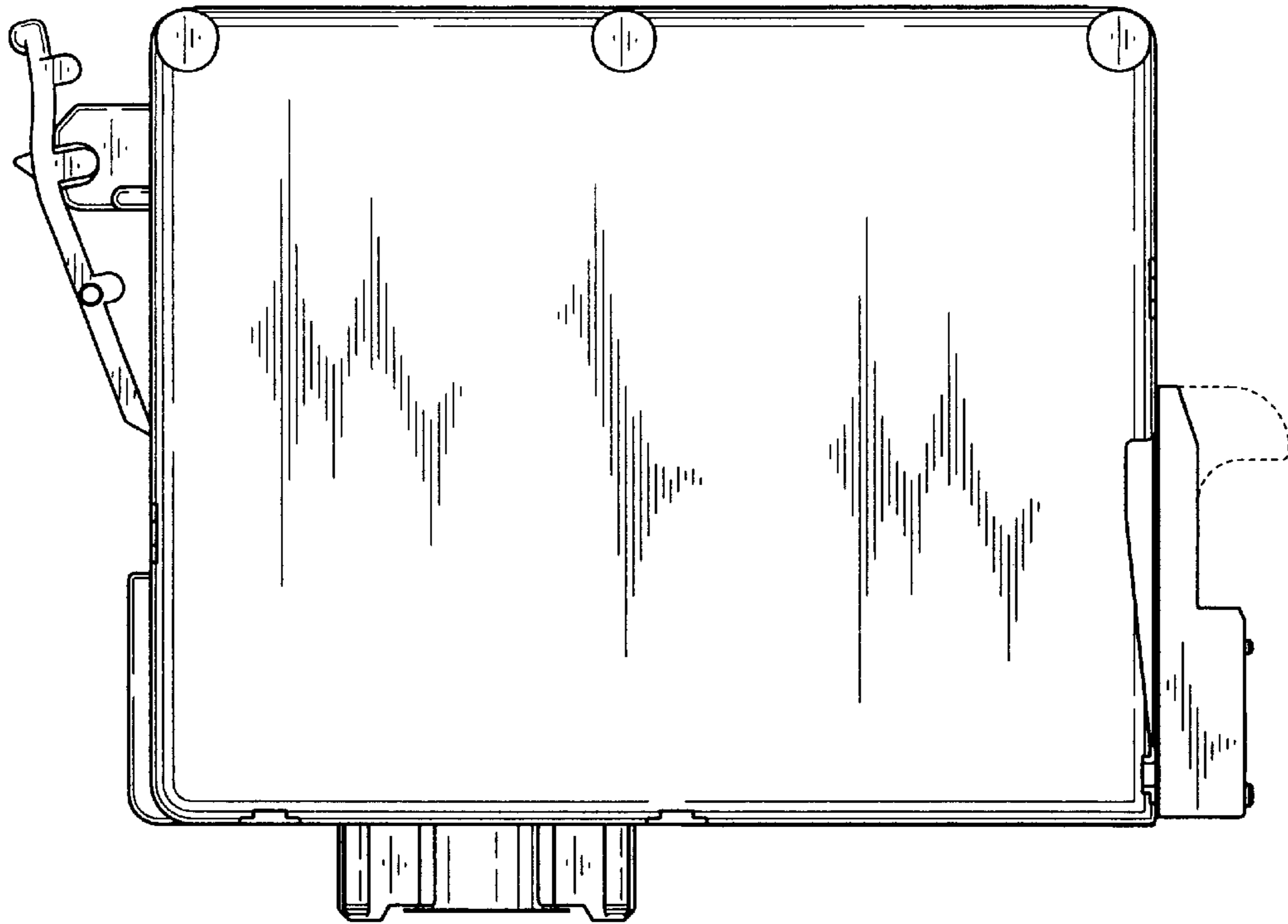
*FIG. 1*



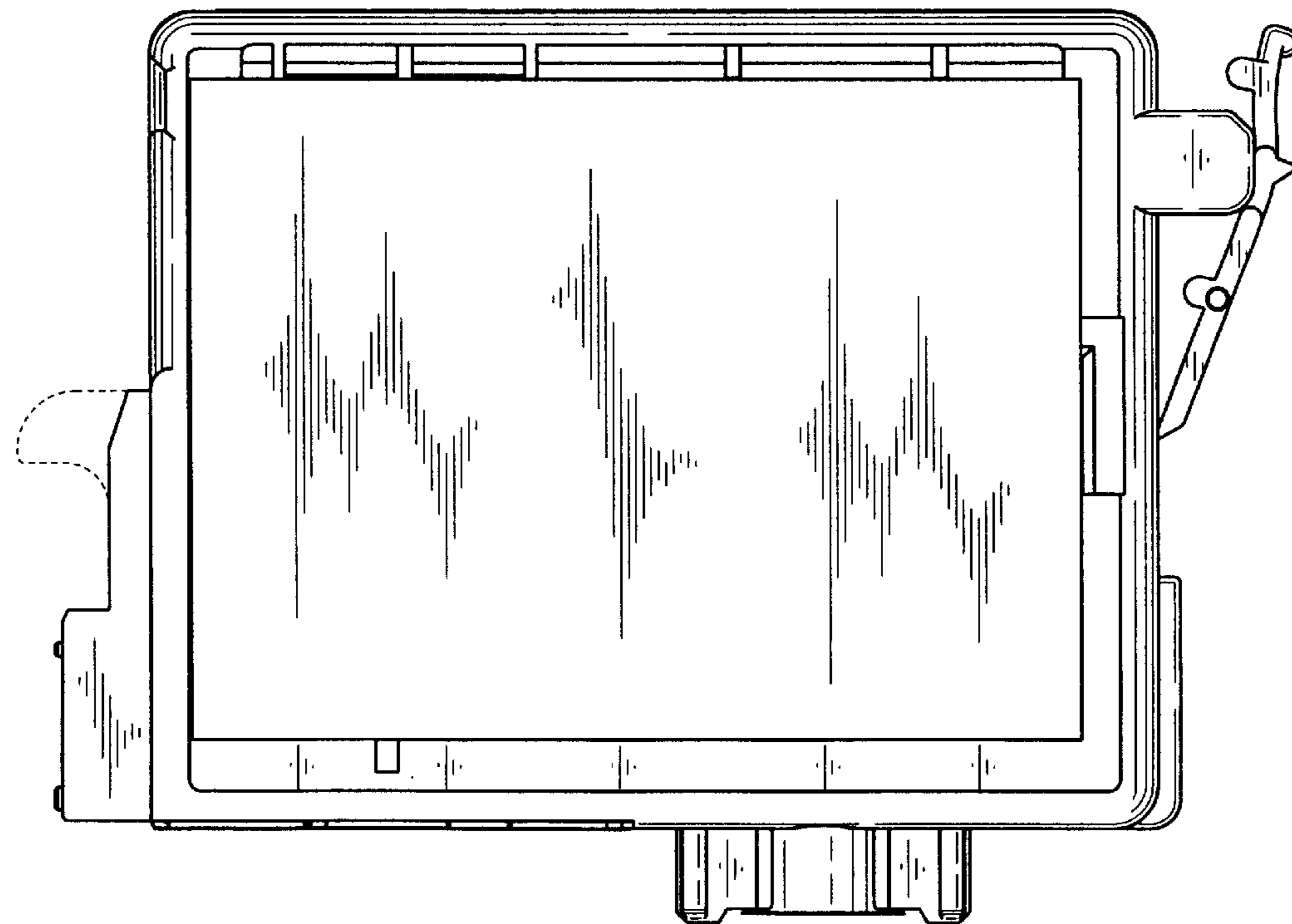
*FIG. 2*



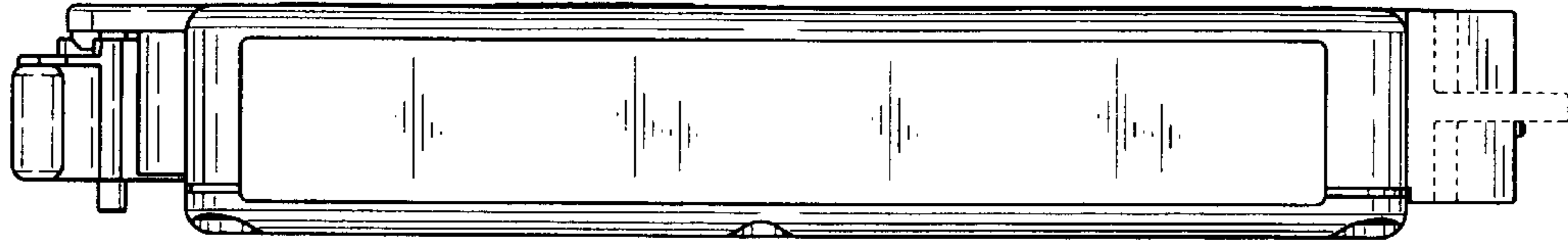
*FIG. 3*



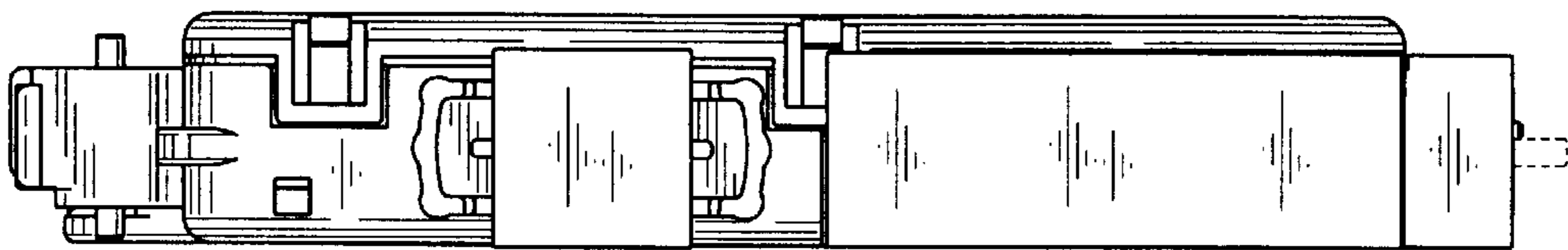
*FIG. 4*



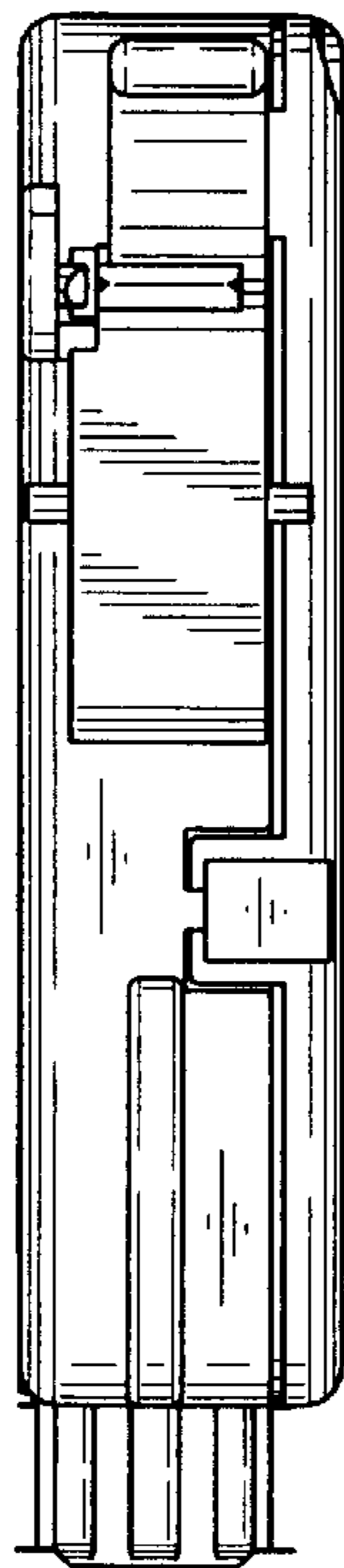
*FIG. 5*



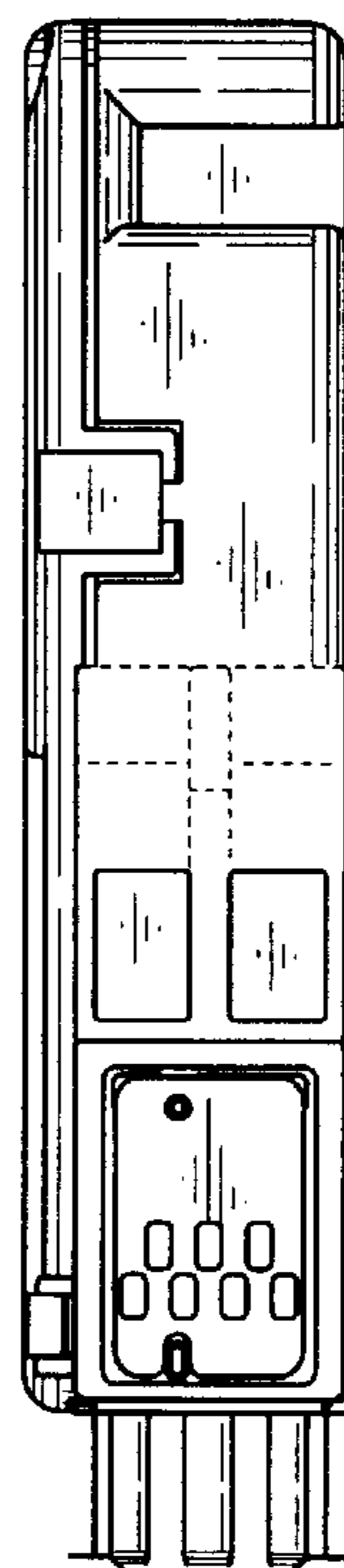
*FIG. 6*



*FIG. 7*

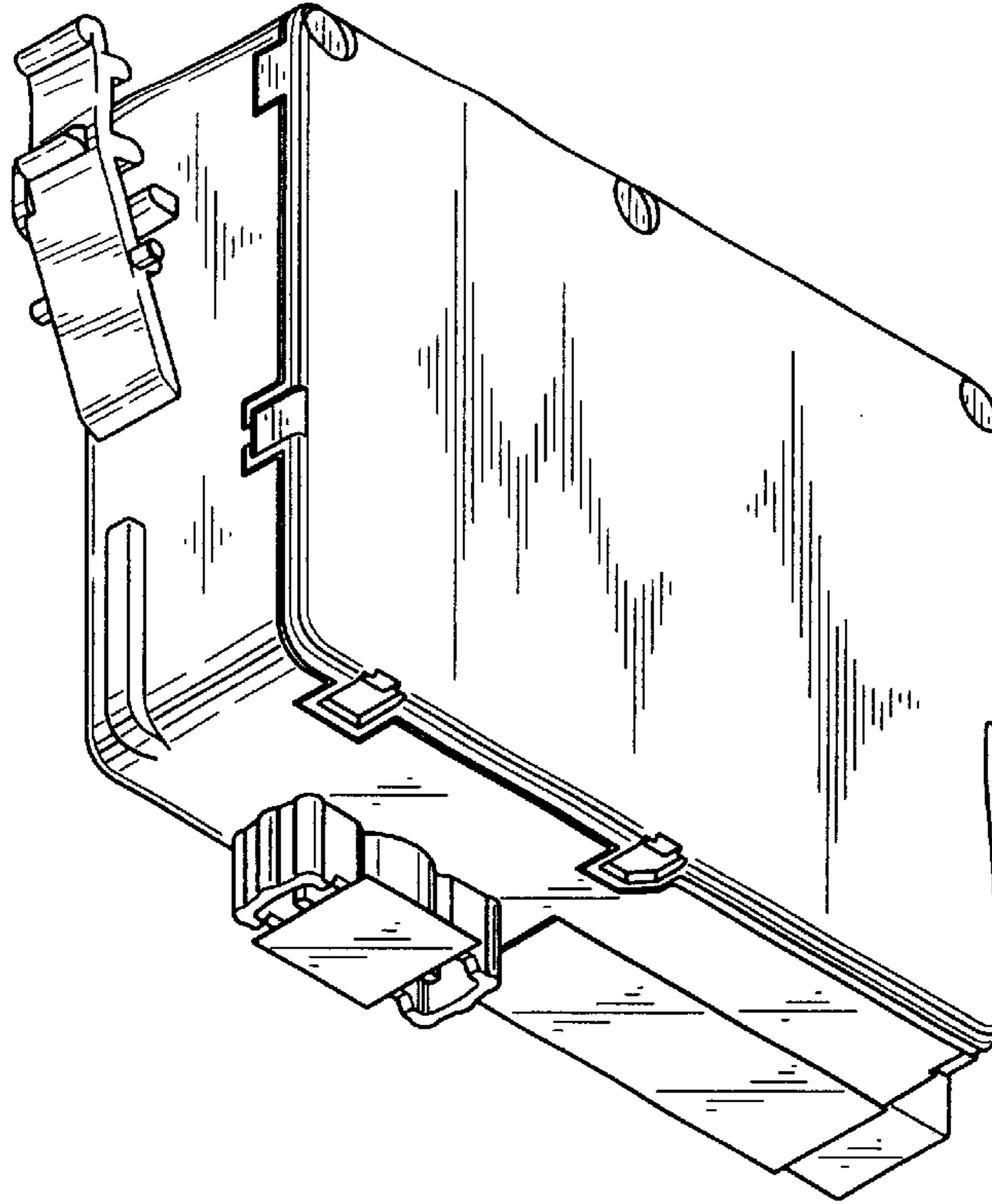


*FIG. 8*

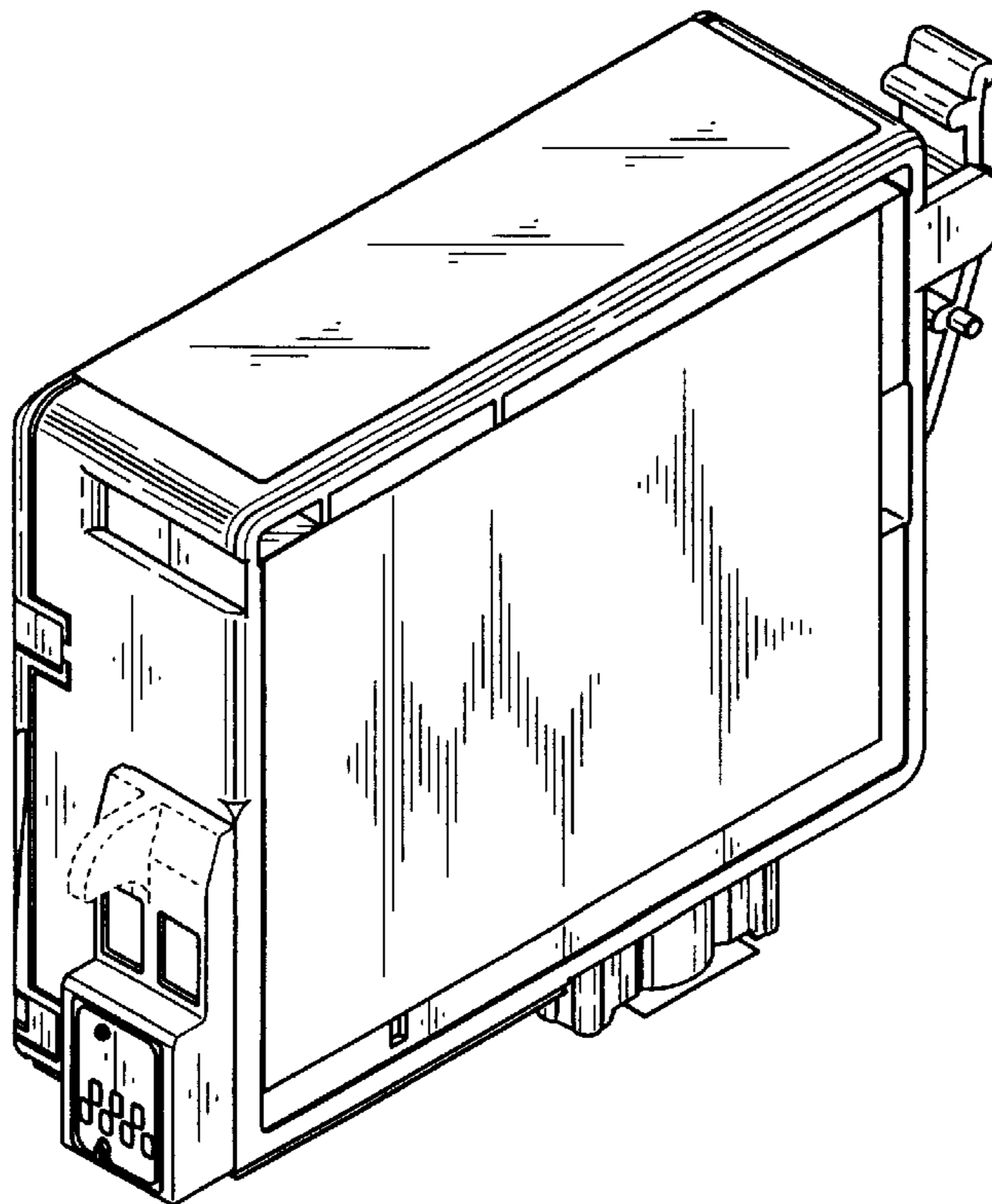




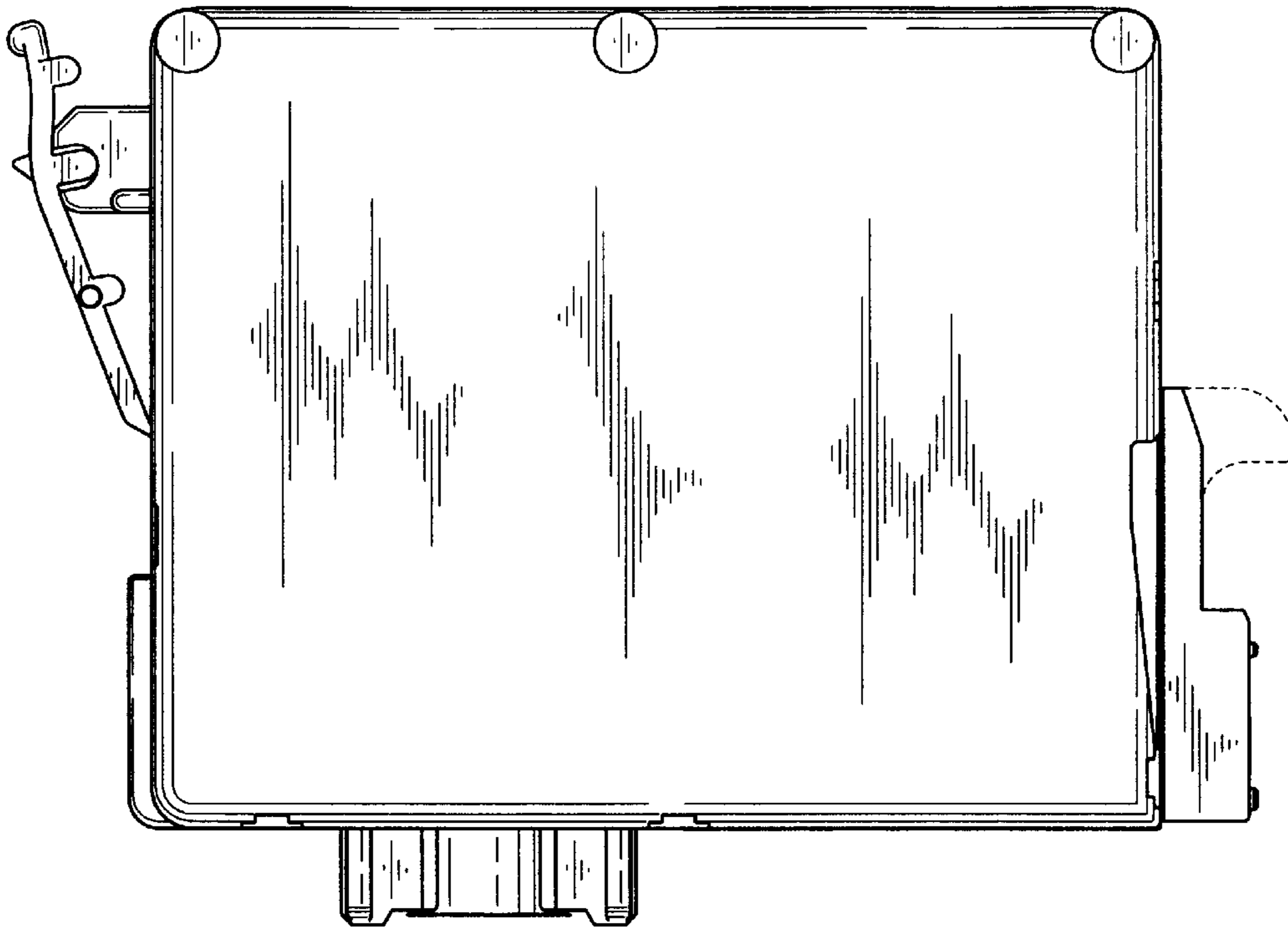
*FIG. 9*



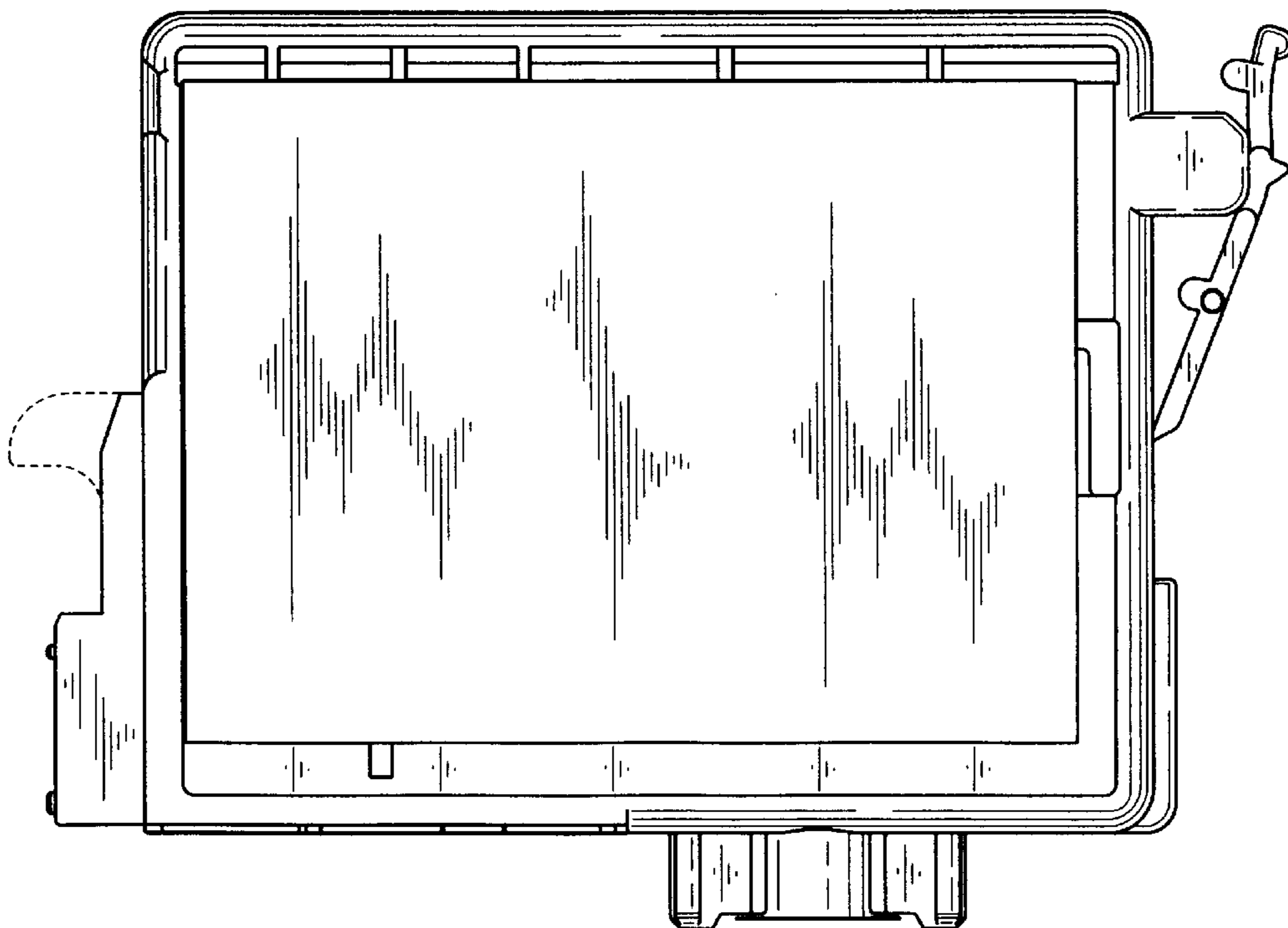
*FIG. 10*



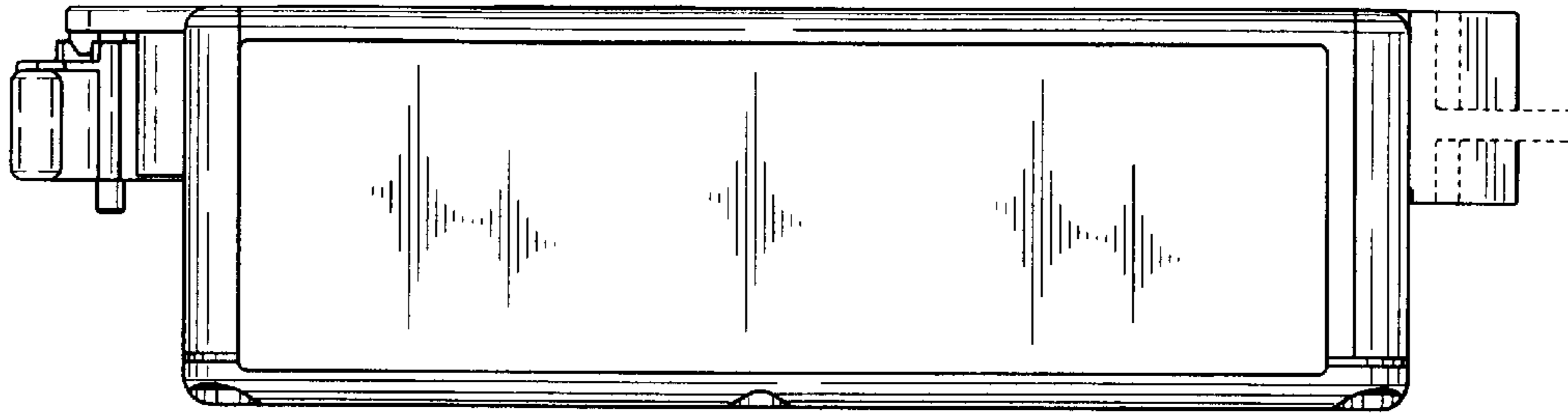
**FIG. 11**



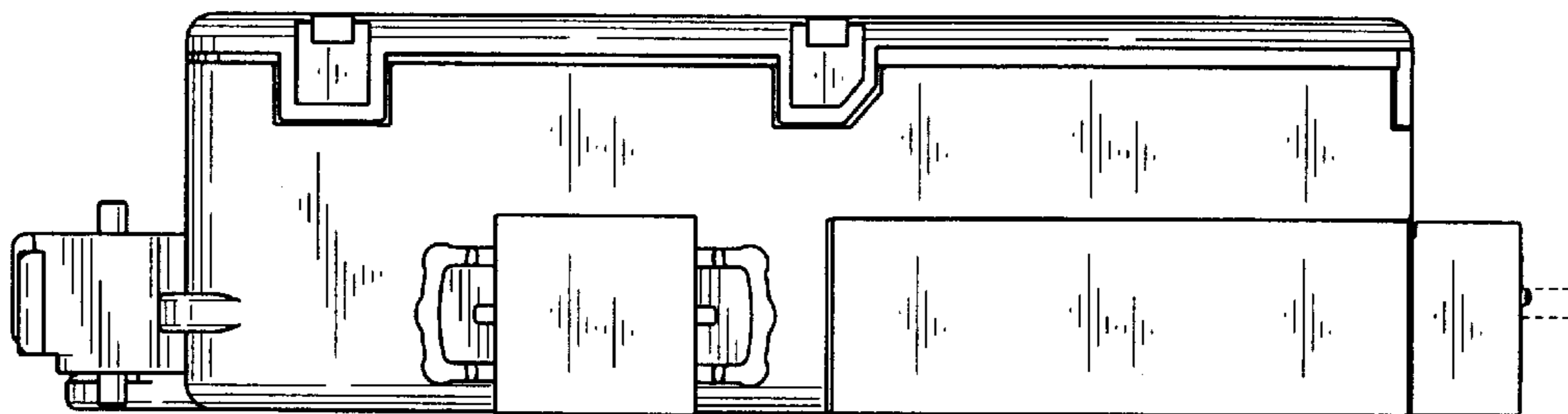
**FIG. 12**



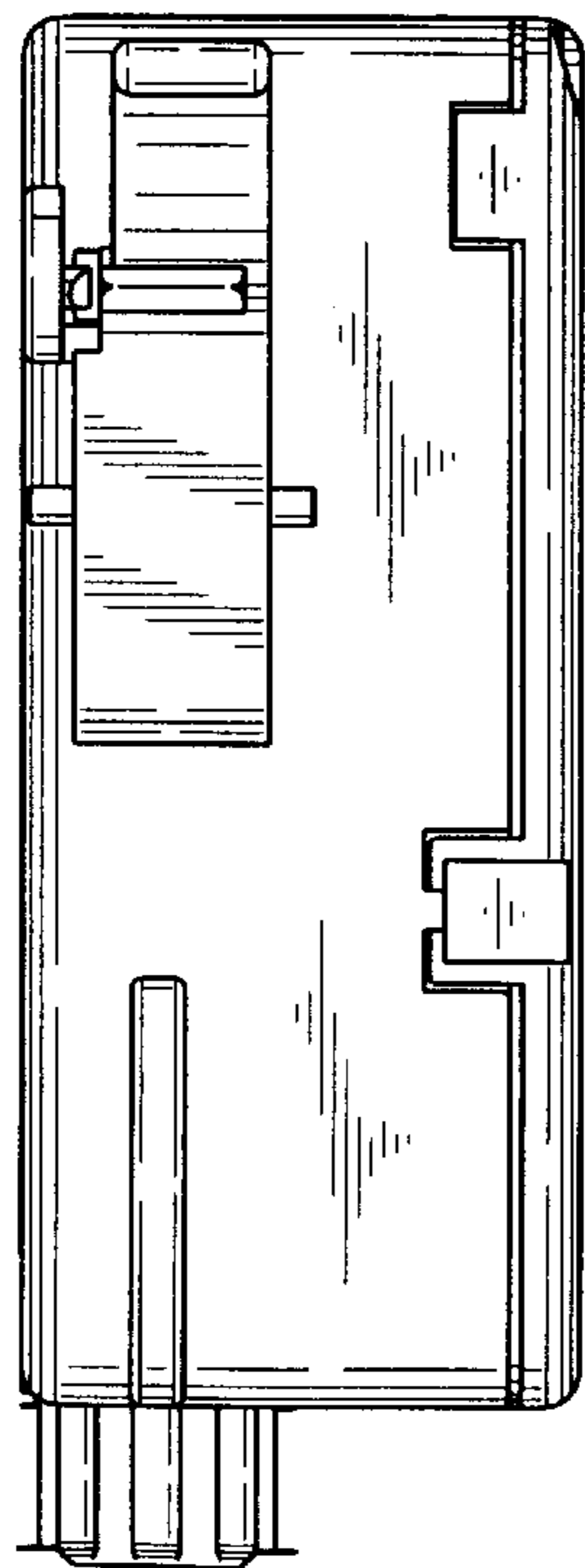
*FIG. 13*



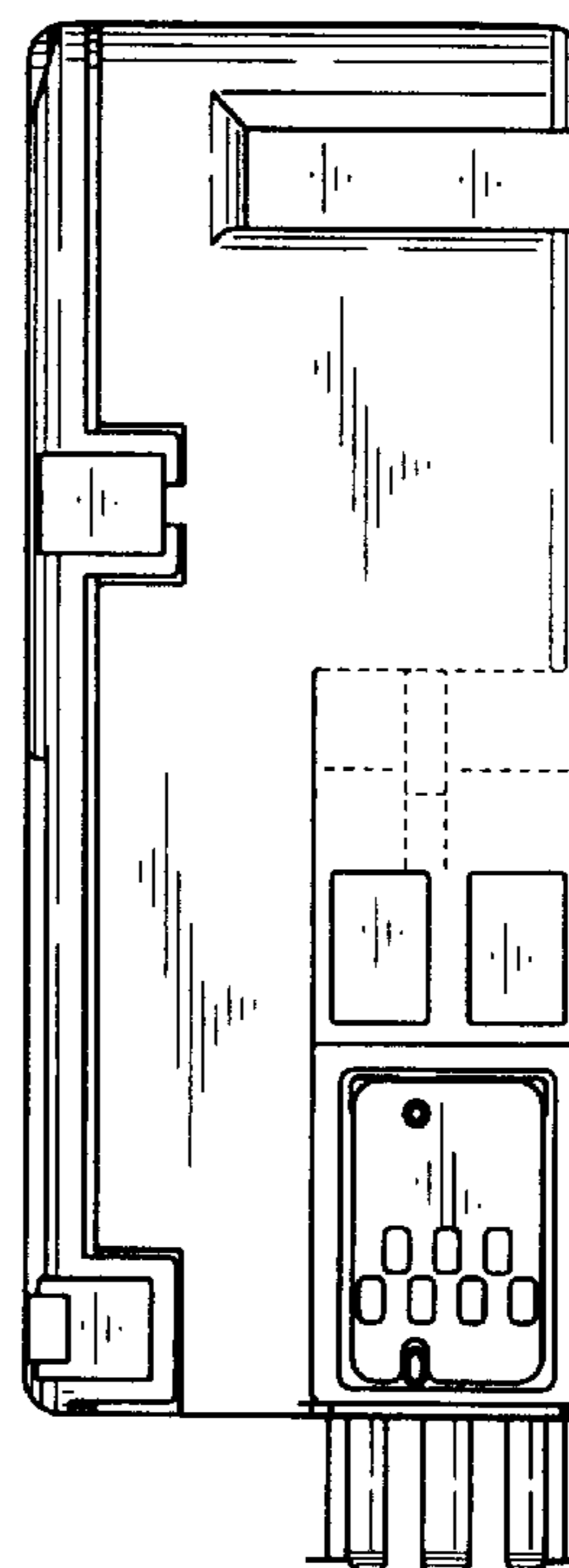
*FIG. 14*



*FIG. 15*

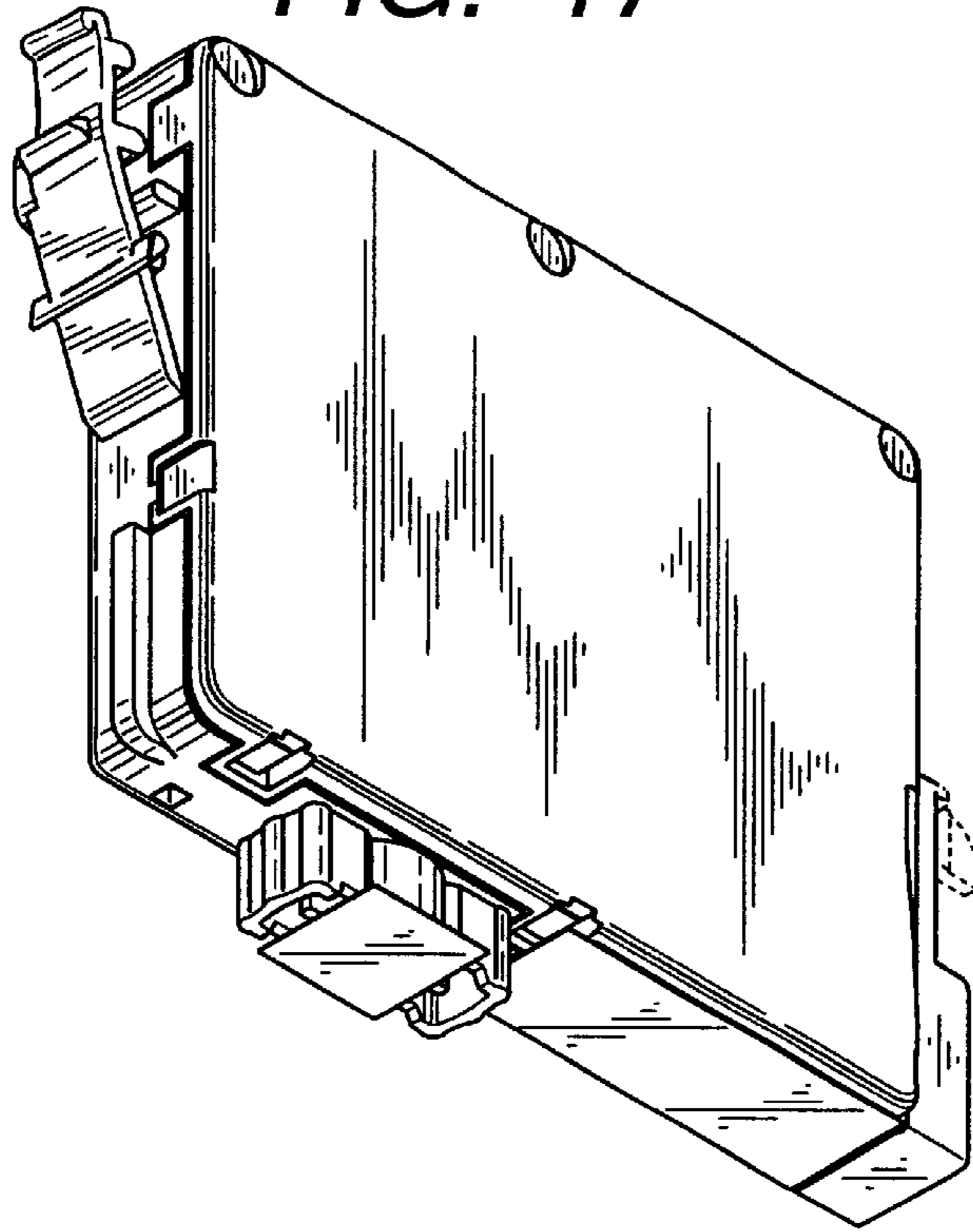


*FIG. 16*

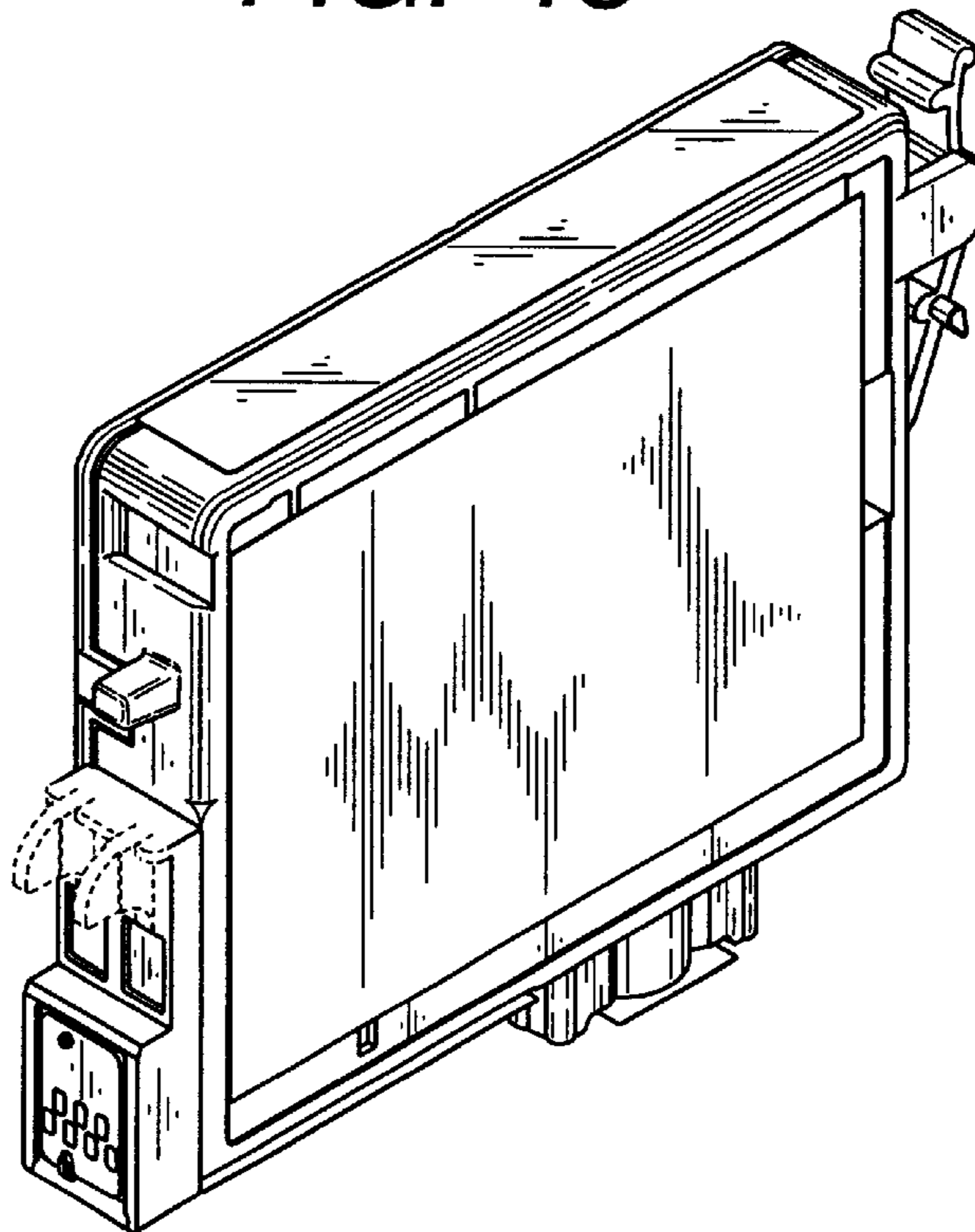




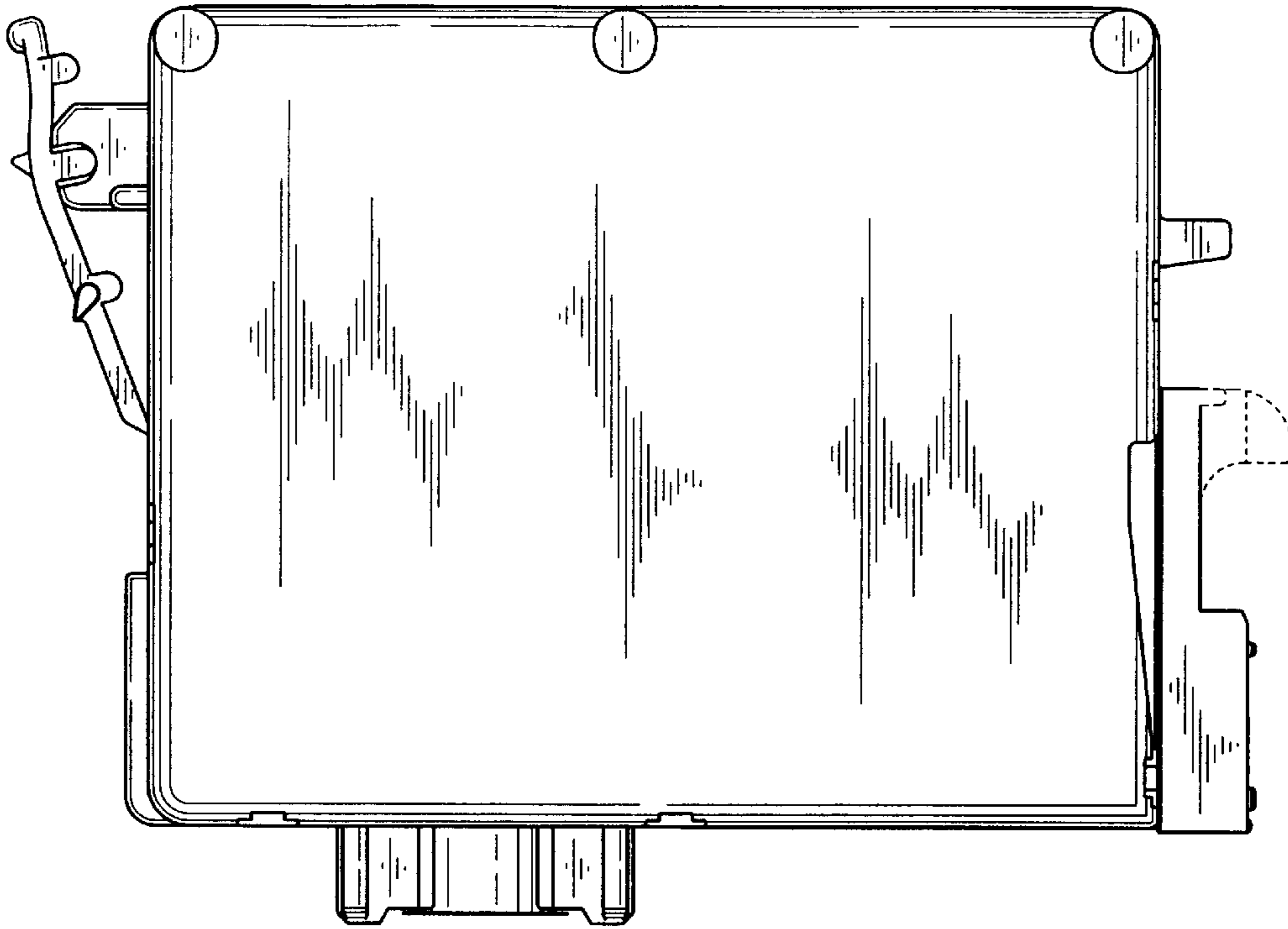
**FIG. 17**



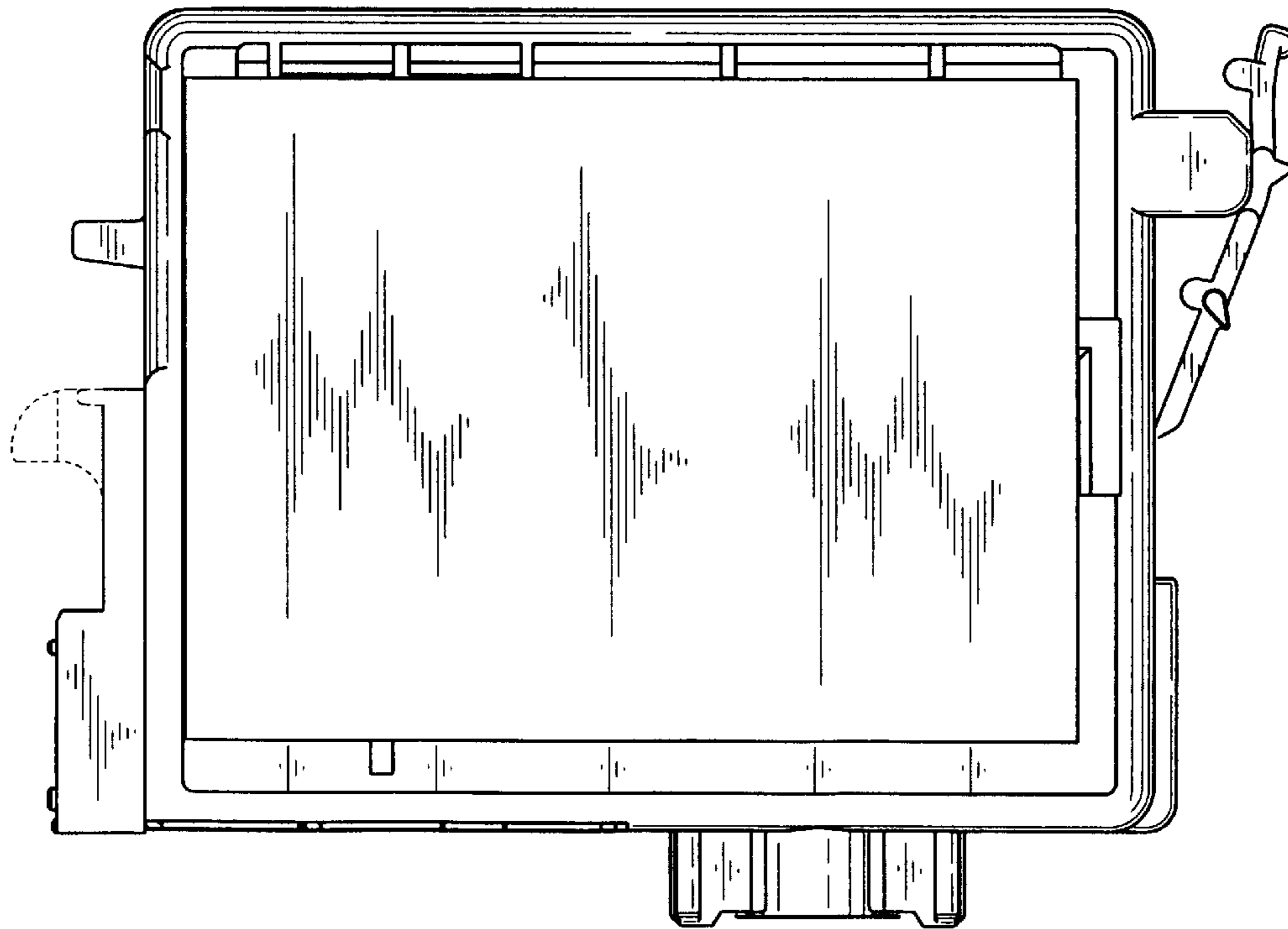
**FIG. 18**



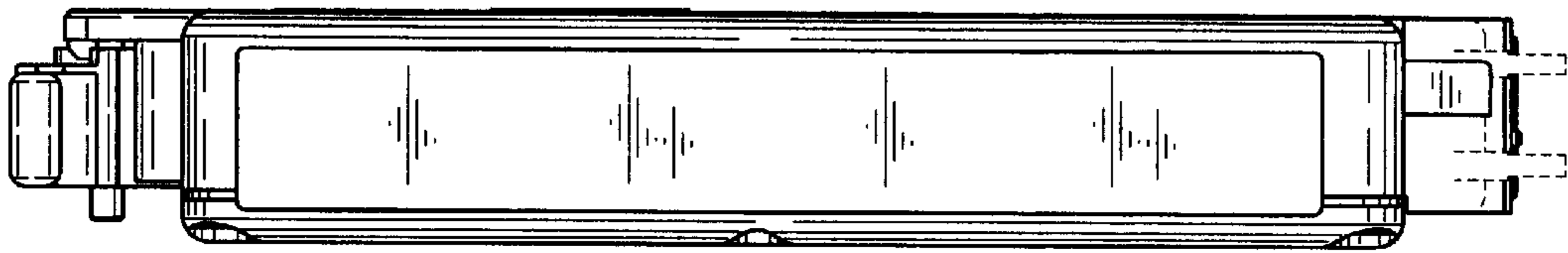
**FIG. 19**



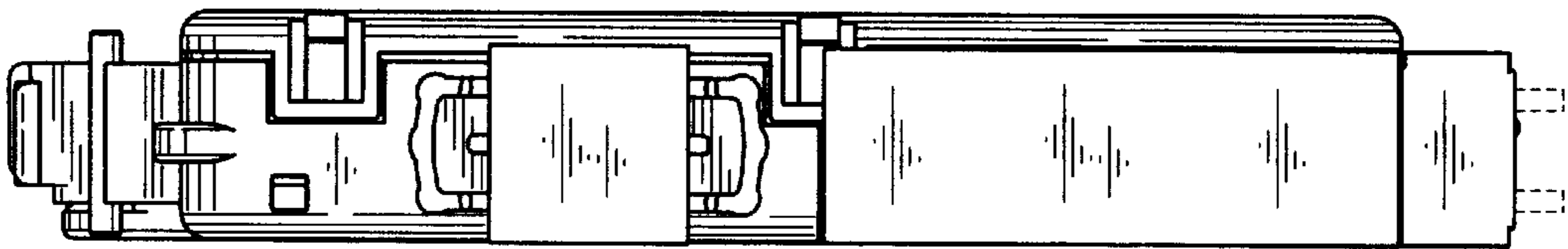
**FIG. 20**



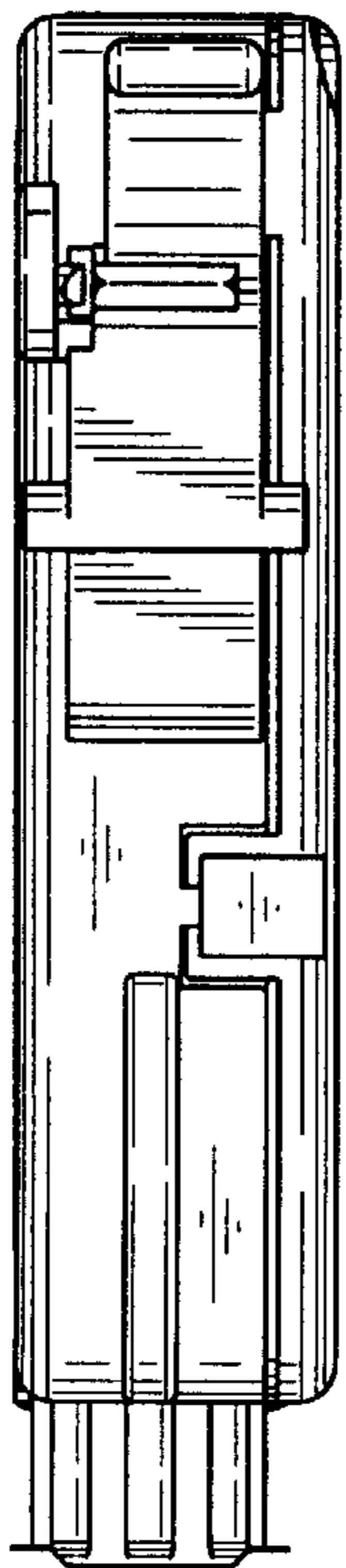
*FIG. 21*



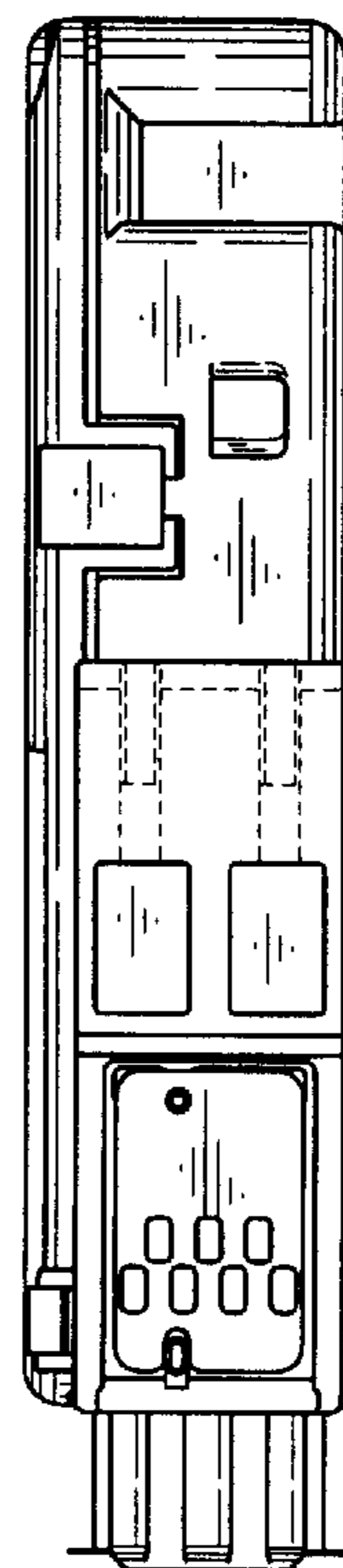
*FIG. 22*



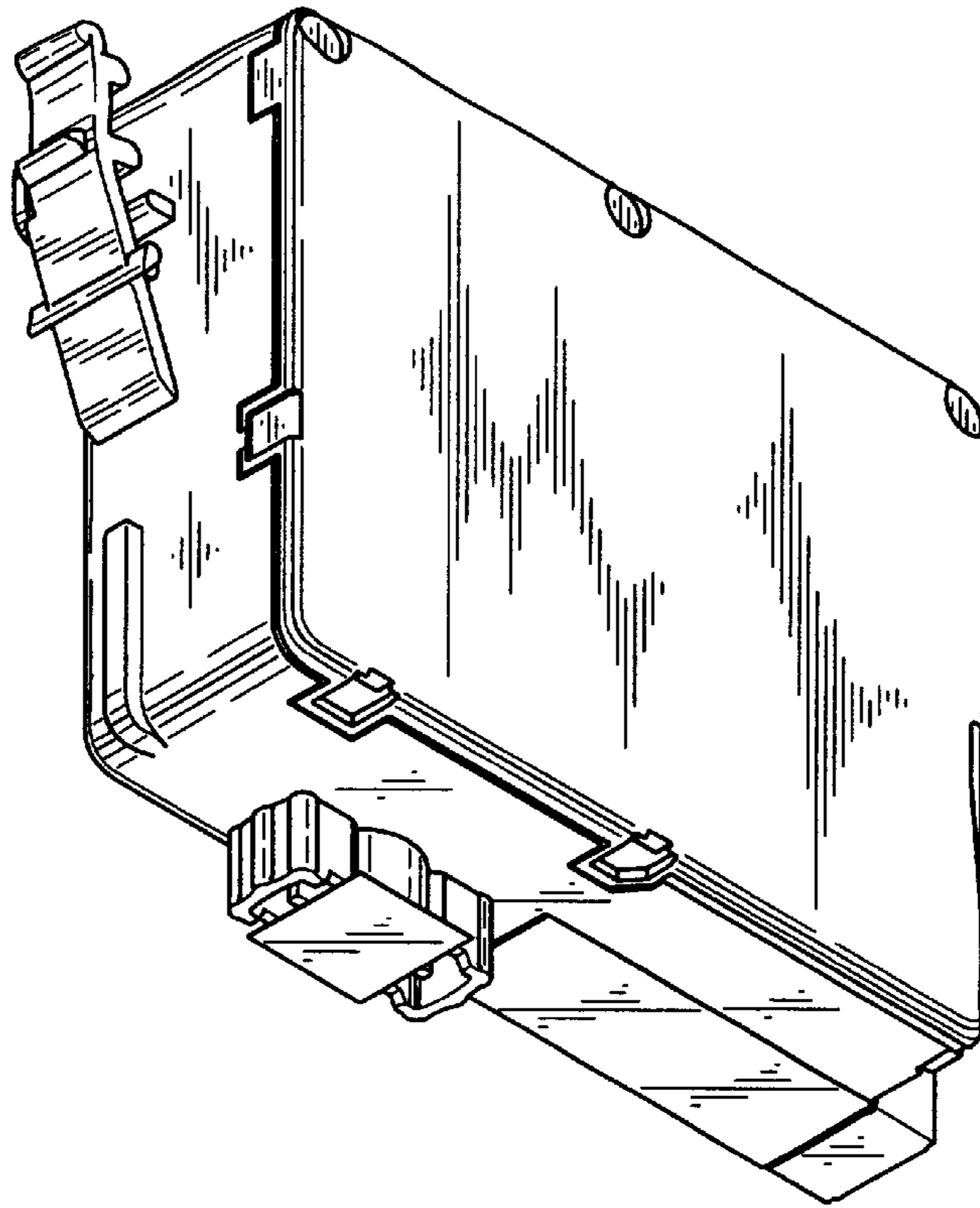
*FIG. 23*



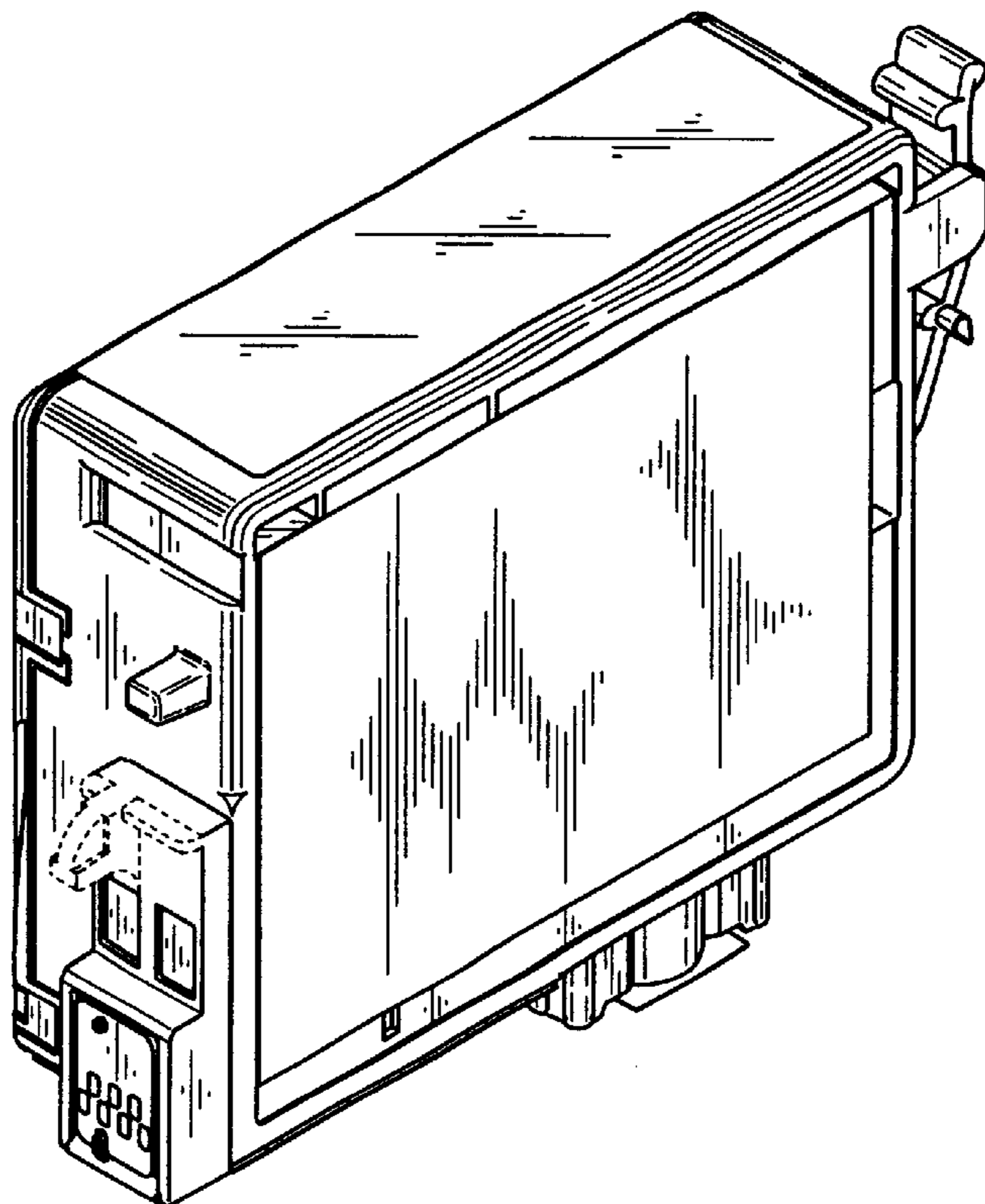
*FIG. 24*



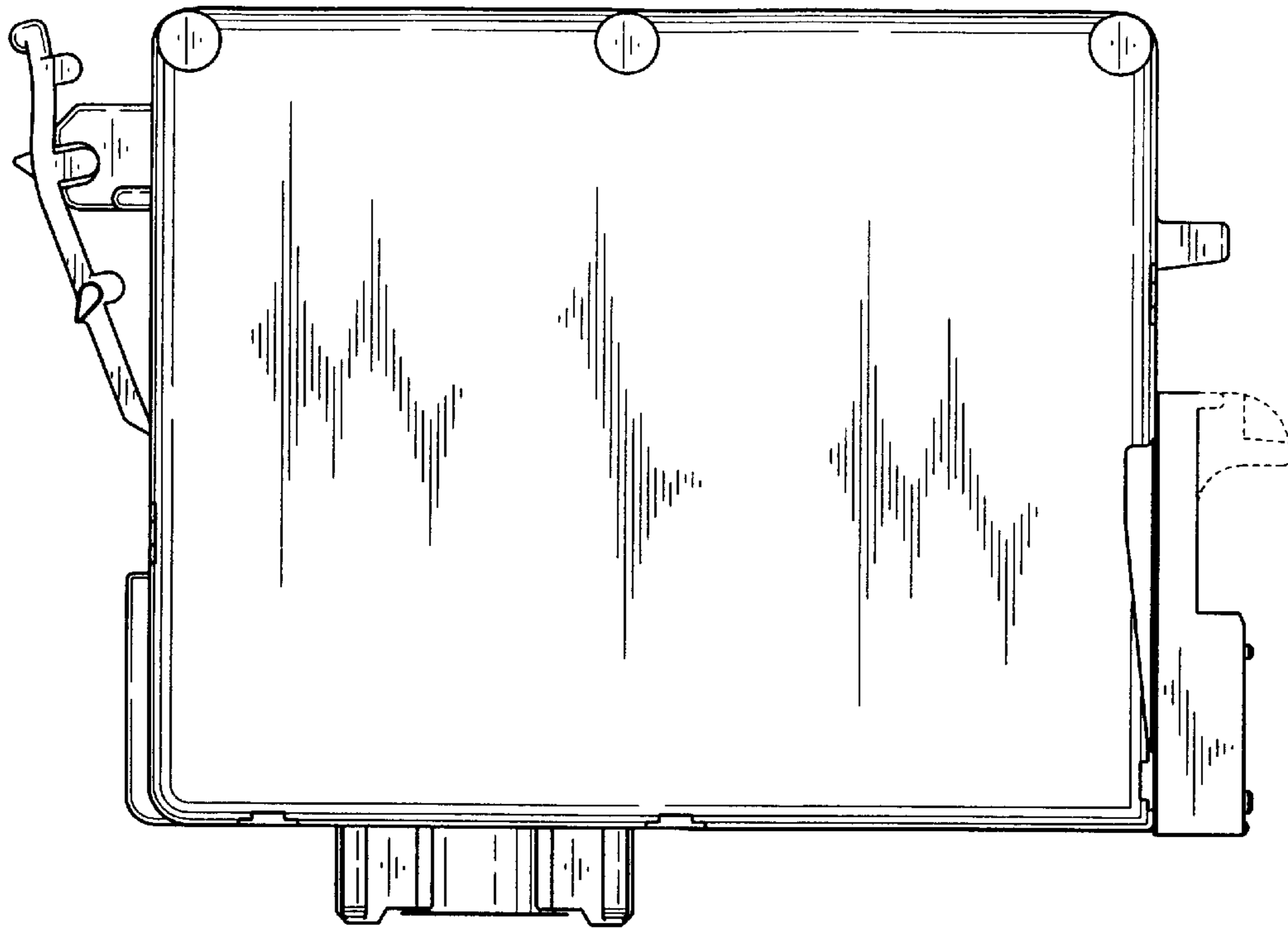
*FIG. 25*



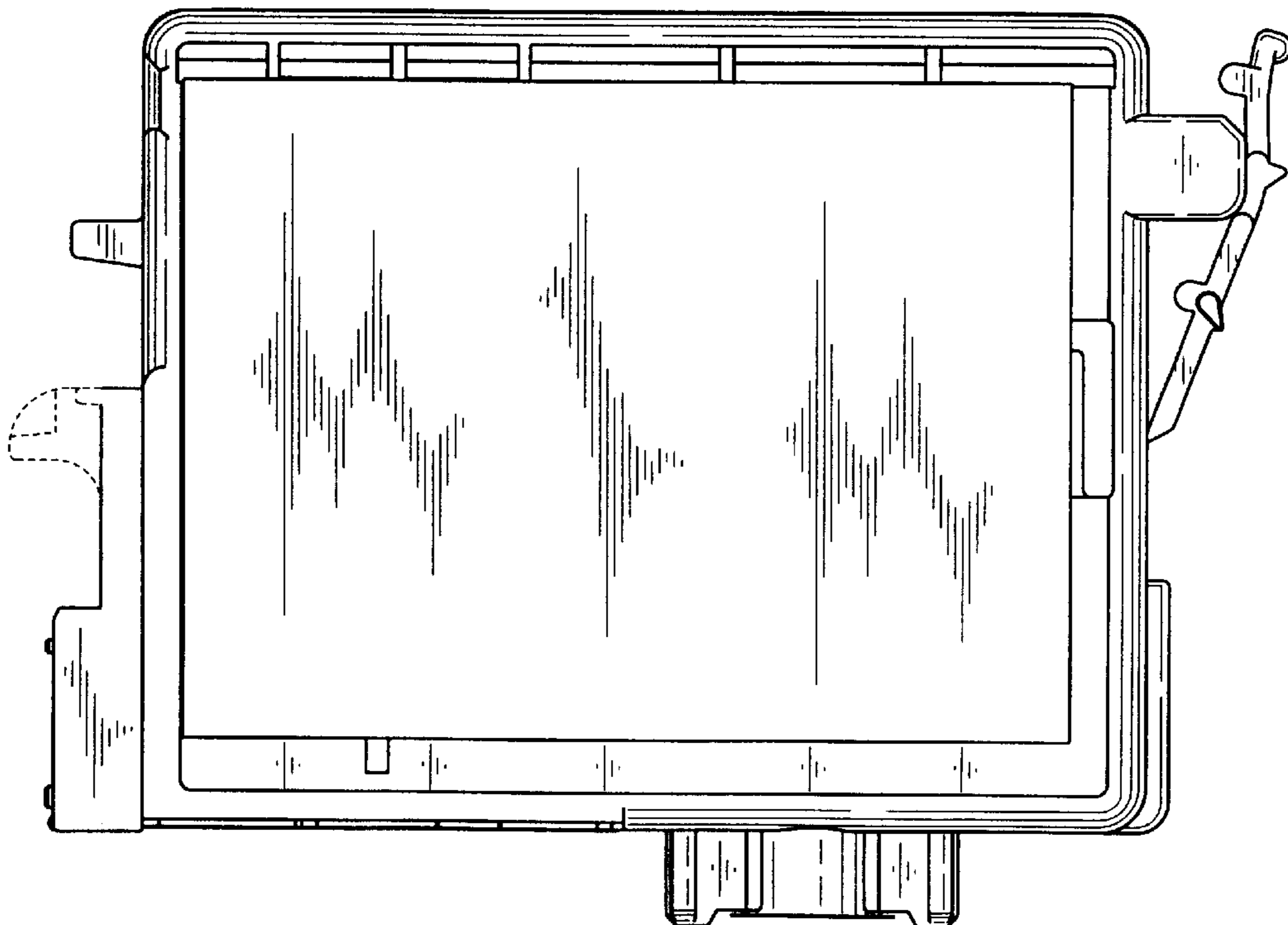
*FIG. 26*



*FIG. 27*

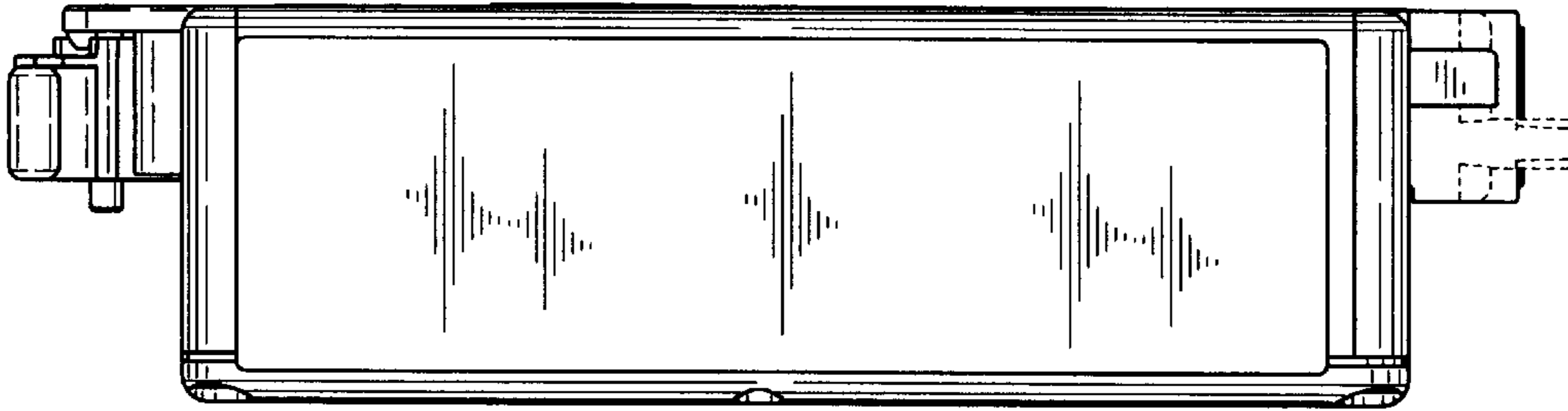


*FIG. 28*

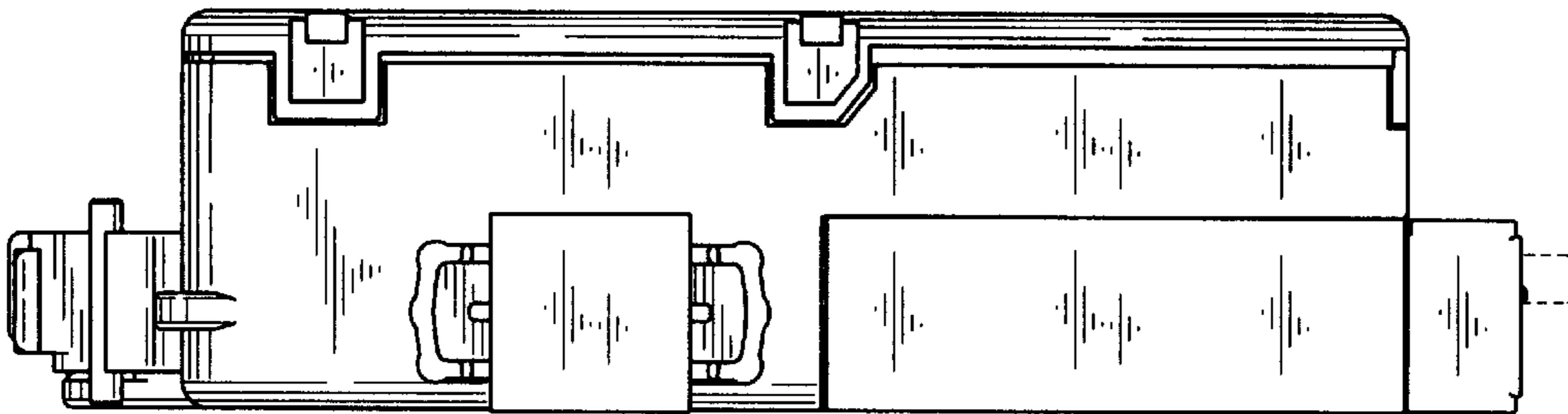




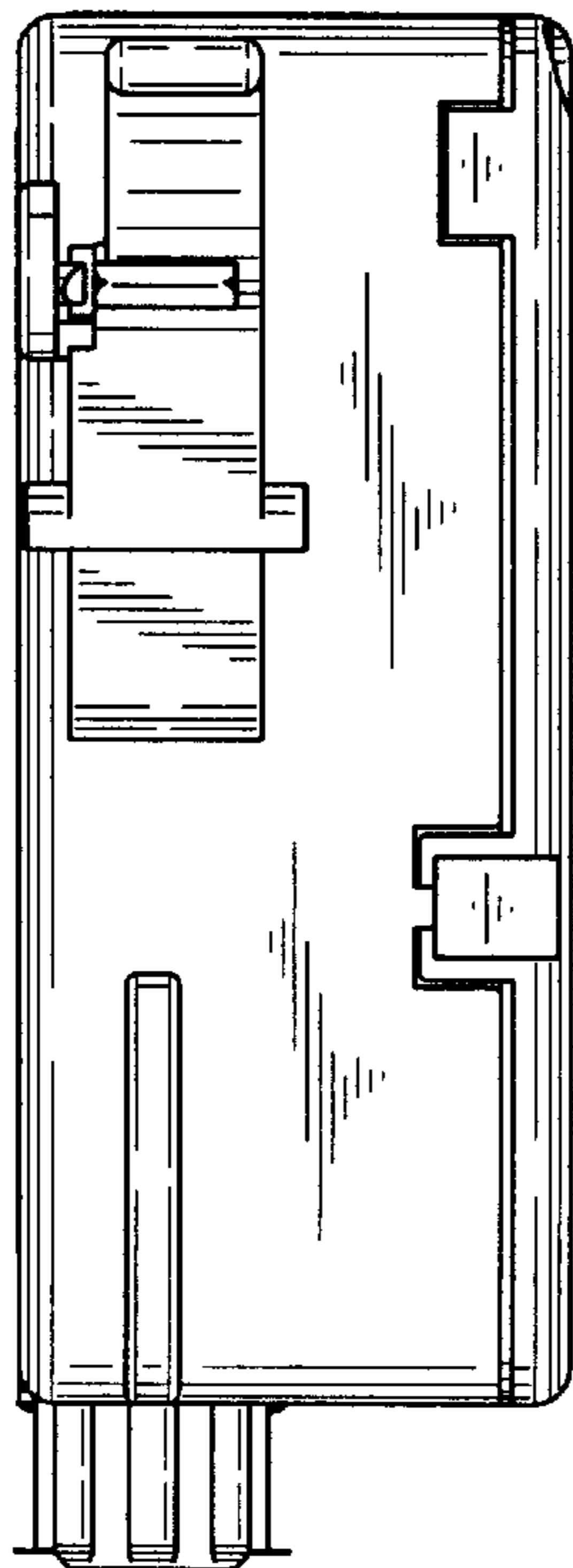
*FIG. 29*



*FIG. 30*



*FIG. 31*



*FIG. 32*

