

US00D536373S

(12) **United States Design Patent** (10) **Patent No.:** **US D536,373 S**
Inoue et al. (45) **Date of Patent:** **** Feb. 6, 2007**

(54) **COMBINED PRINTER AND SCANNER**
(75) Inventors: **Saeko Inoue**, Nagano (JP); **Makoto Kobayashi**, Nagano (JP); **Tetsu Nakayama**, Nagano (JP); **Hiroto Miyauchi**, Nagano (JP); **Shinichiro Yoshikawa**, Nagano (JP); **Soichiro Kii**, Nagano (JP); **Atsuhiko Matsuno**, Nagano (JP); **Emi Akahane**, Nagano (JP); **Keisuke Inoue**, Nagano (JP); **Kazumitsu Fujimori**, Nagano (JP)

(73) Assignee: **Seiko Epson Corporation**, Tokyo (JP)

(**) Term: **14 Years**

(21) Appl. No.: **29/213,818**

(22) Filed: **Sep. 24, 2004**

(30) **Foreign Application Priority Data**

Mar. 26, 2004 (JP) 2004-009193
Mar. 26, 2004 (JP) 2004-009194
Mar. 26, 2004 (JP) 2004-009195
Mar. 26, 2004 (JP) 2004-009196

(51) **LOC (8) Cl.** **14-02**

(52) **U.S. Cl.** **D18/55**

(58) **Field of Classification Search** D18/36-39,
D18/46-49, 53-54, 54.1, 55, 14, 19, 50-51;
D14/420-425, 462-470; 400/613, 613.1-613.4,
400/690.1-690.4, 691-694

See application file for complete search history.

(56) **References Cited**

U.S. PATENT DOCUMENTS

D372,733 S * 8/1996 Yoshida D18/55
D378,099 S * 2/1997 Yoshida et al. D18/36
D379,827 S * 6/1997 Andre D18/54
D400,572 S * 11/1998 Sekine et al. D18/54
D413,919 S * 9/1999 Kobayashi et al. D18/54

D436,123 S * 1/2001 Ito et al. D18/54
D441,394 S * 5/2001 Kobayashi et al. D18/54
D448,796 S * 10/2001 Clark et al. D18/55
D462,087 S * 8/2002 Dwyer et al. D18/55
D466,923 S * 12/2002 Dwyer et al. D18/55
D466,924 S * 12/2002 Wong et al. D18/55
D468,765 S * 1/2003 Kobayashi et al. D18/55
D501,503 S * 2/2005 Leong et al. D18/55

* cited by examiner

Primary Examiner—Cathy Anne MacCormac
(74) *Attorney, Agent, or Firm*—Sughrue Mion, PLLC

(57) **CLAIM**

The ornamental design for a combined printer and scanner, as shown and described.

DESCRIPTION

FIG. 1 is a perspective view of the top, front and right side of a combined printer and scanner according to a first embodiment showing our new design;
FIG. 2 is a front elevational view thereof;
FIG. 3 is a top plan view thereof;
FIG. 4 is a left side elevational view thereof;
FIG. 5 is a right side elevational view thereof;
FIG. 6 is a bottom plan view thereof;
FIG. 7 is a rear elevational view thereof;
FIG. 8 is a perspective view similar to FIG. 1 with the paper holding trays in the extended position;
FIG. 9 is a perspective view of the top, front and right side according to a second embodiment of FIG. 1;
FIG. 10 is a front elevational view of FIG. 9;
FIG. 11 is a top plan view of FIG. 9;
FIG. 12 is a left side elevational view of FIG. 9;
FIG. 13 is a right side elevational view of FIG. 9;
FIG. 14 is a bottom plan view of FIG. 9;
FIG. 15 is a rear elevational view of FIG. 9; and,
FIG. 16 is a perspective view similar to FIG. 9 with the paper holding trays in the extended position.

1 Claim, 8 Drawing Sheets

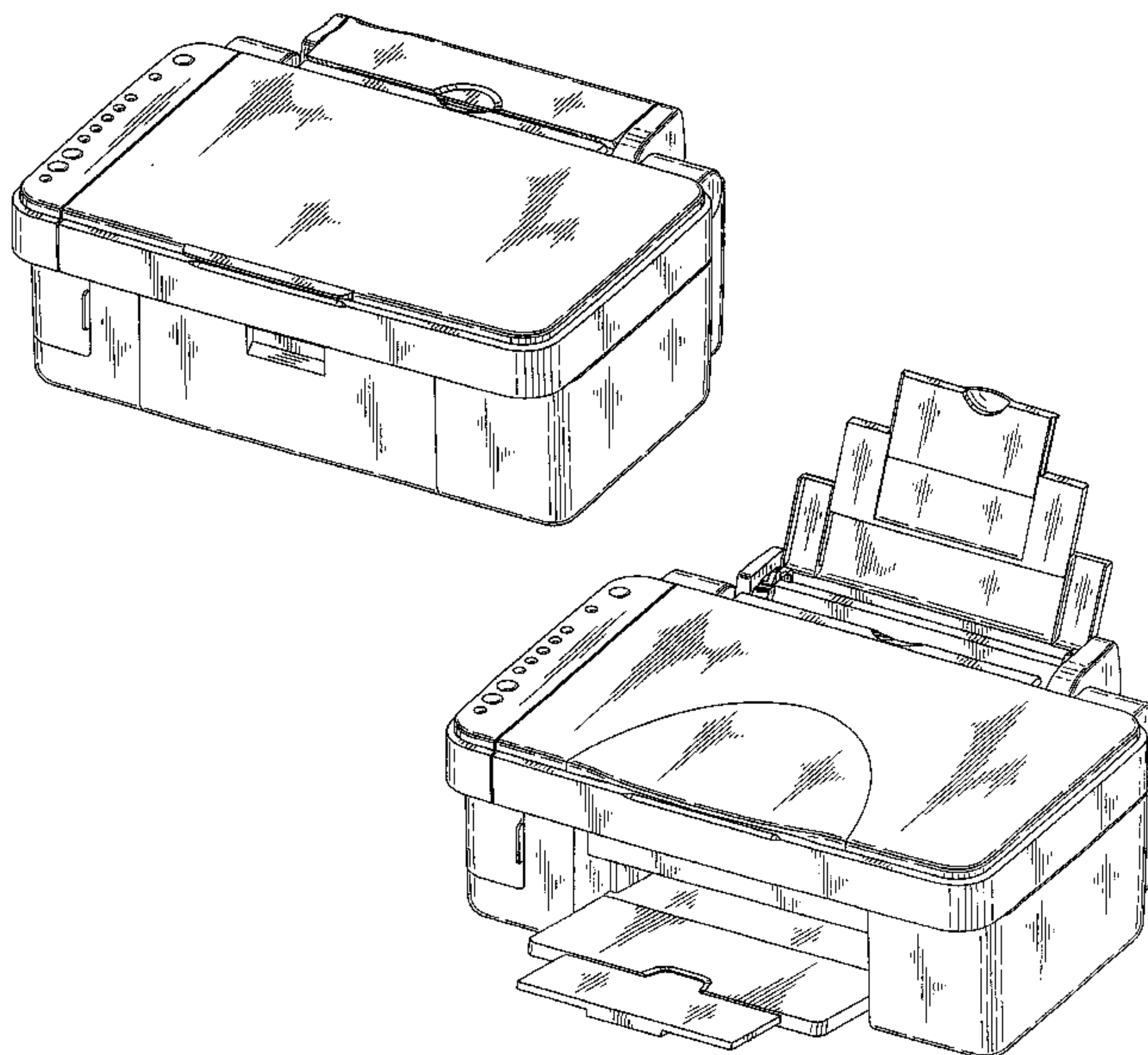


FIG. 1

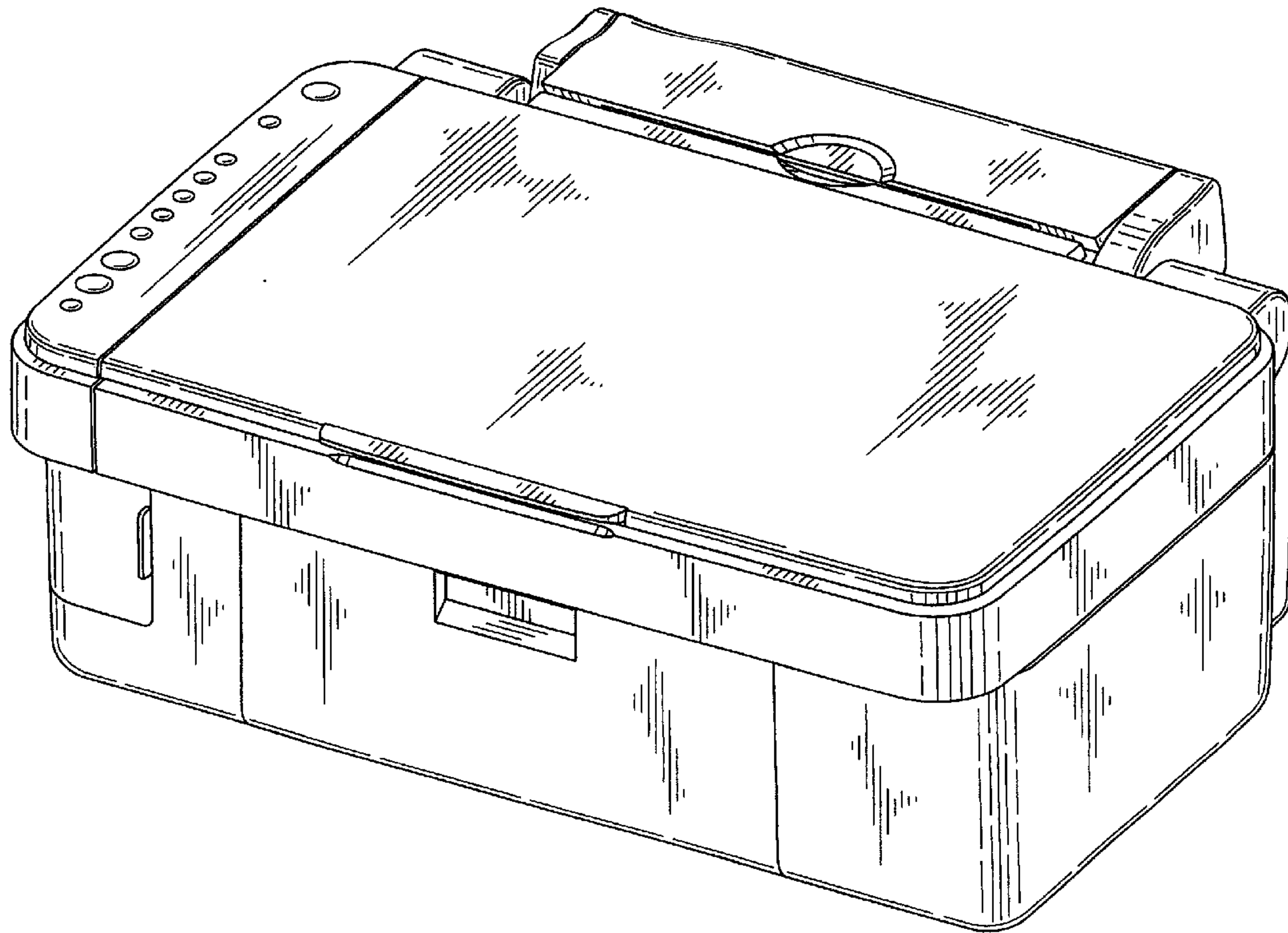


FIG. 2

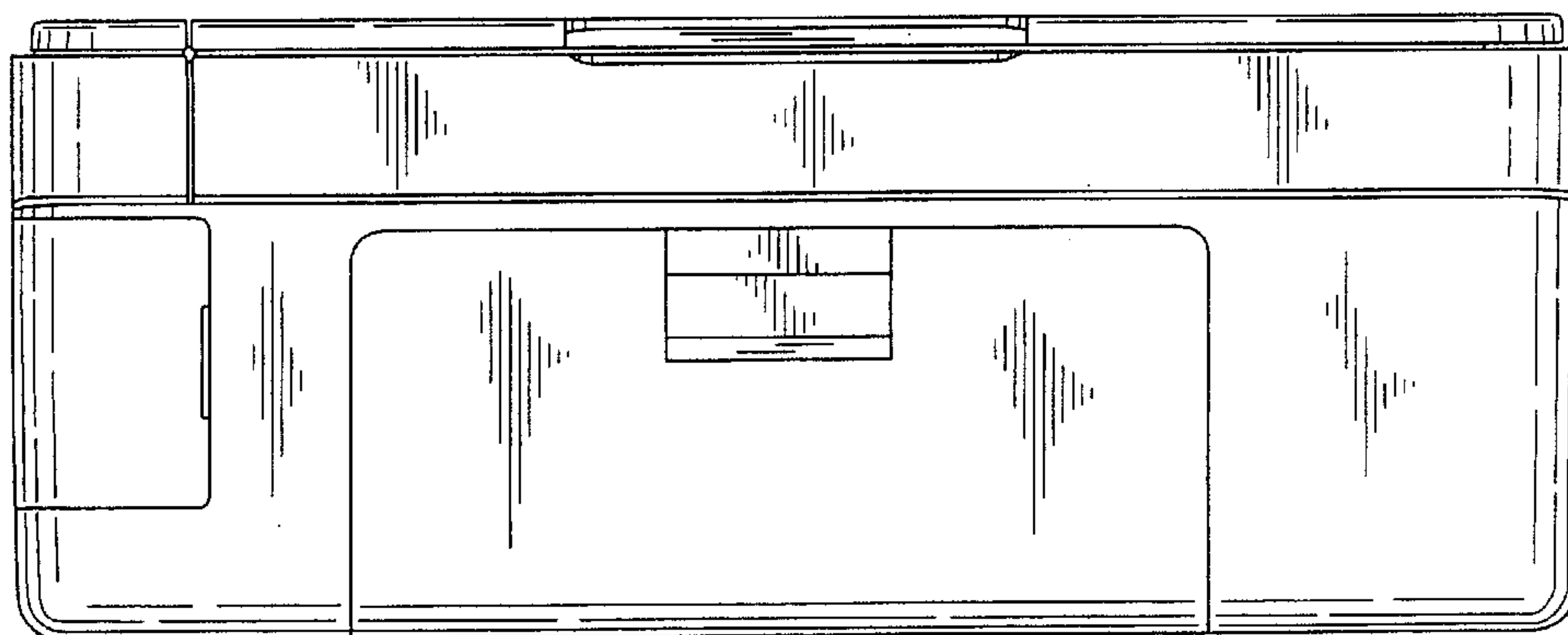


FIG. 3

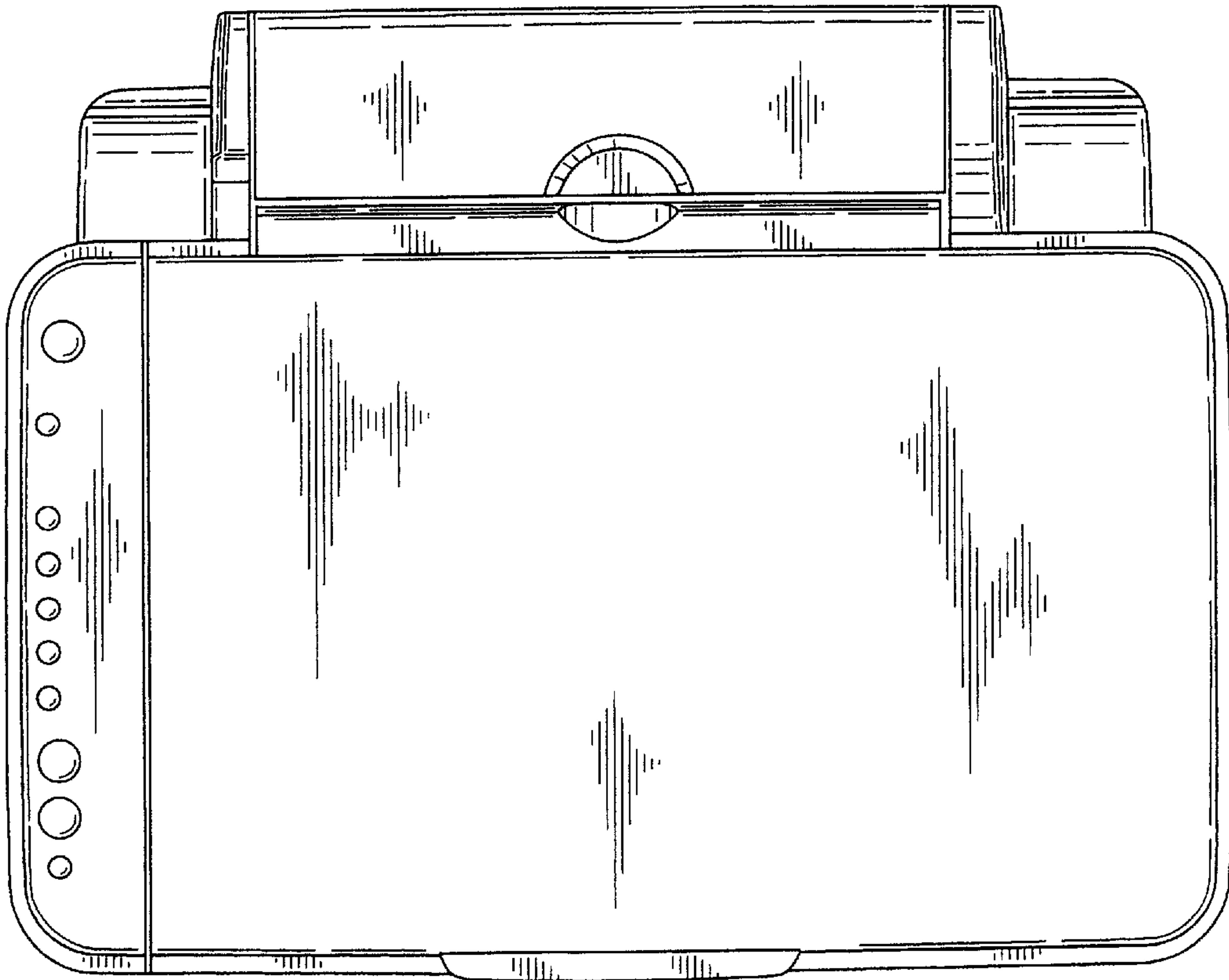


FIG. 4

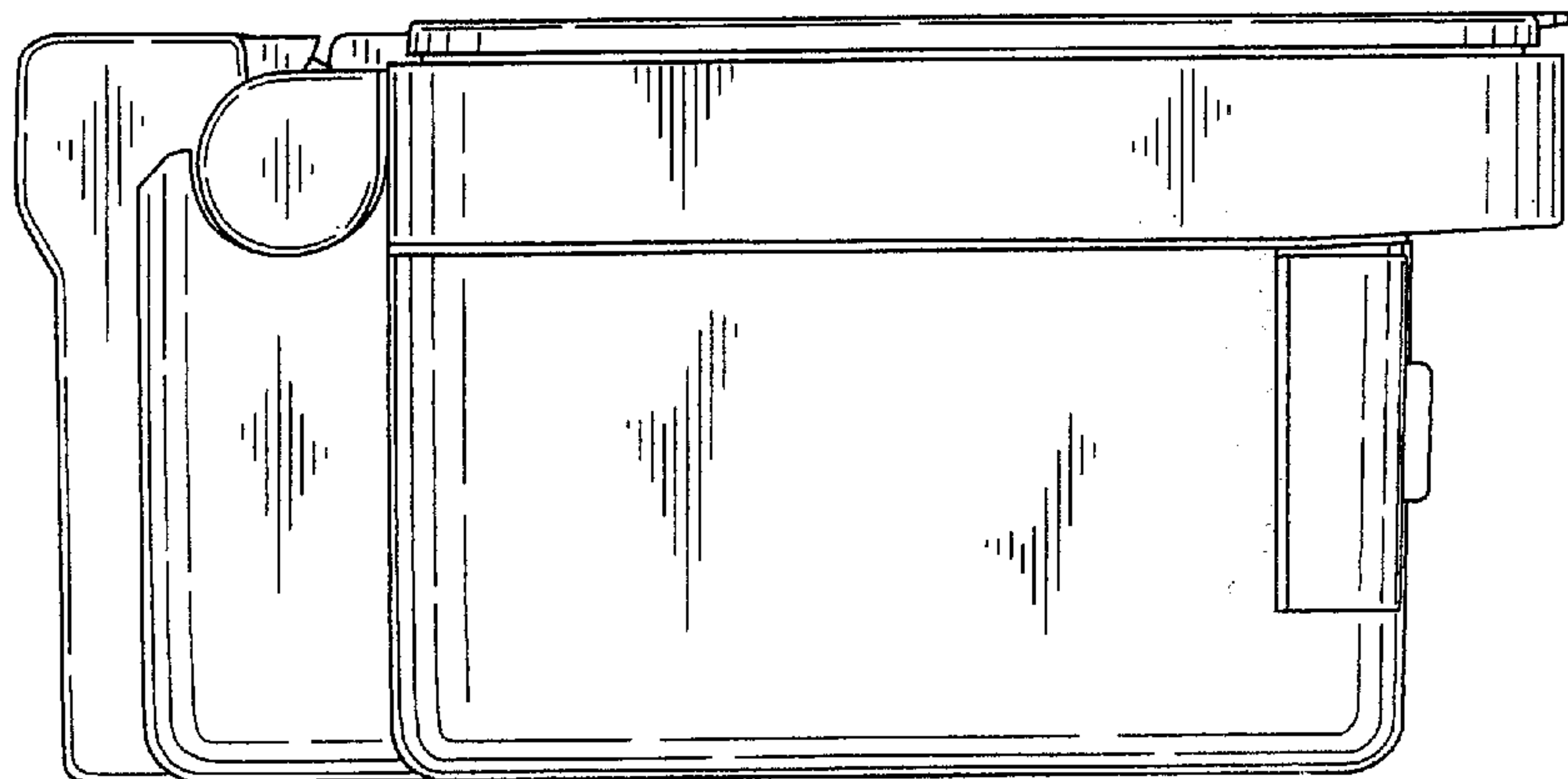


FIG. 5

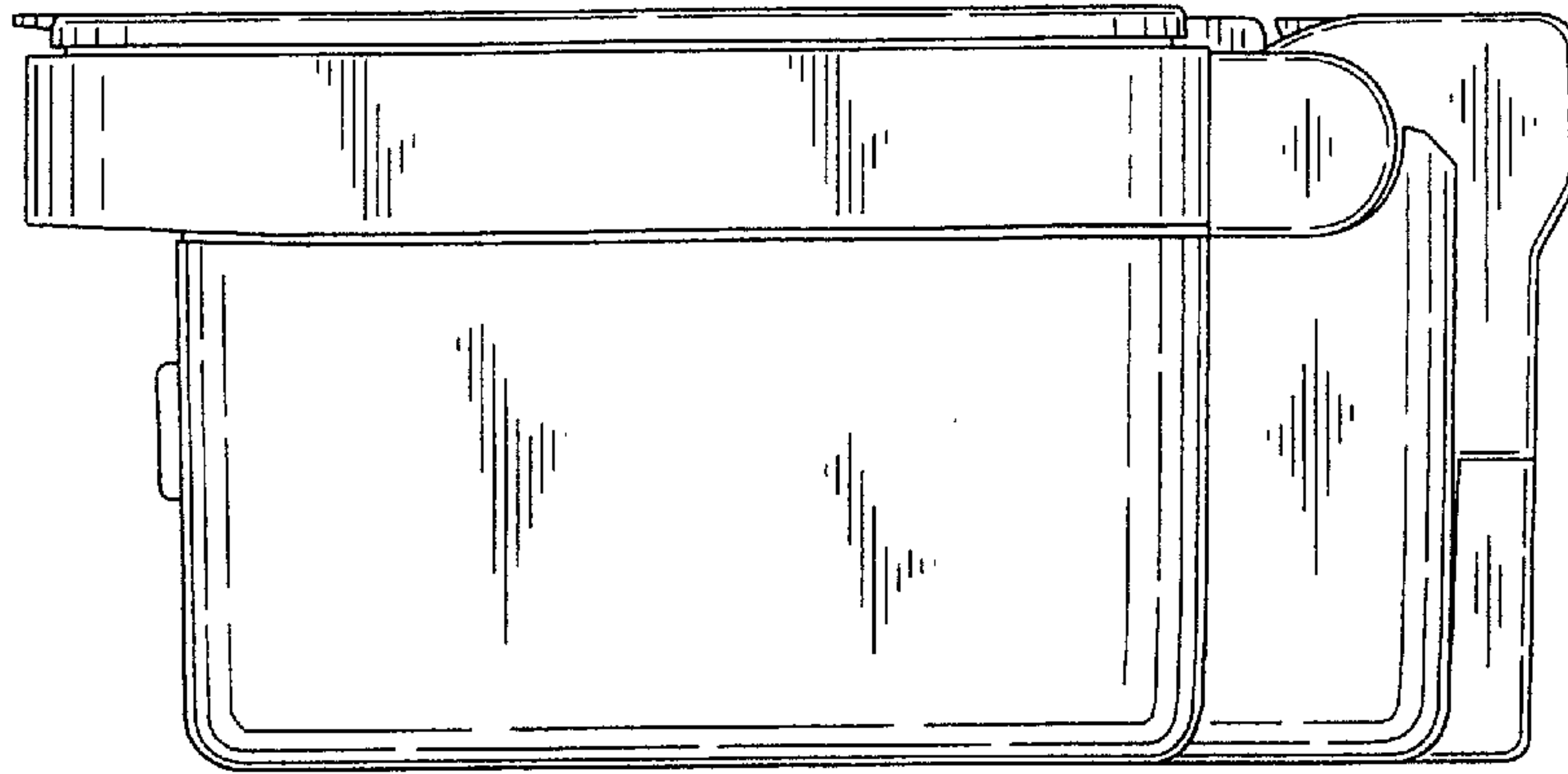


FIG. 6

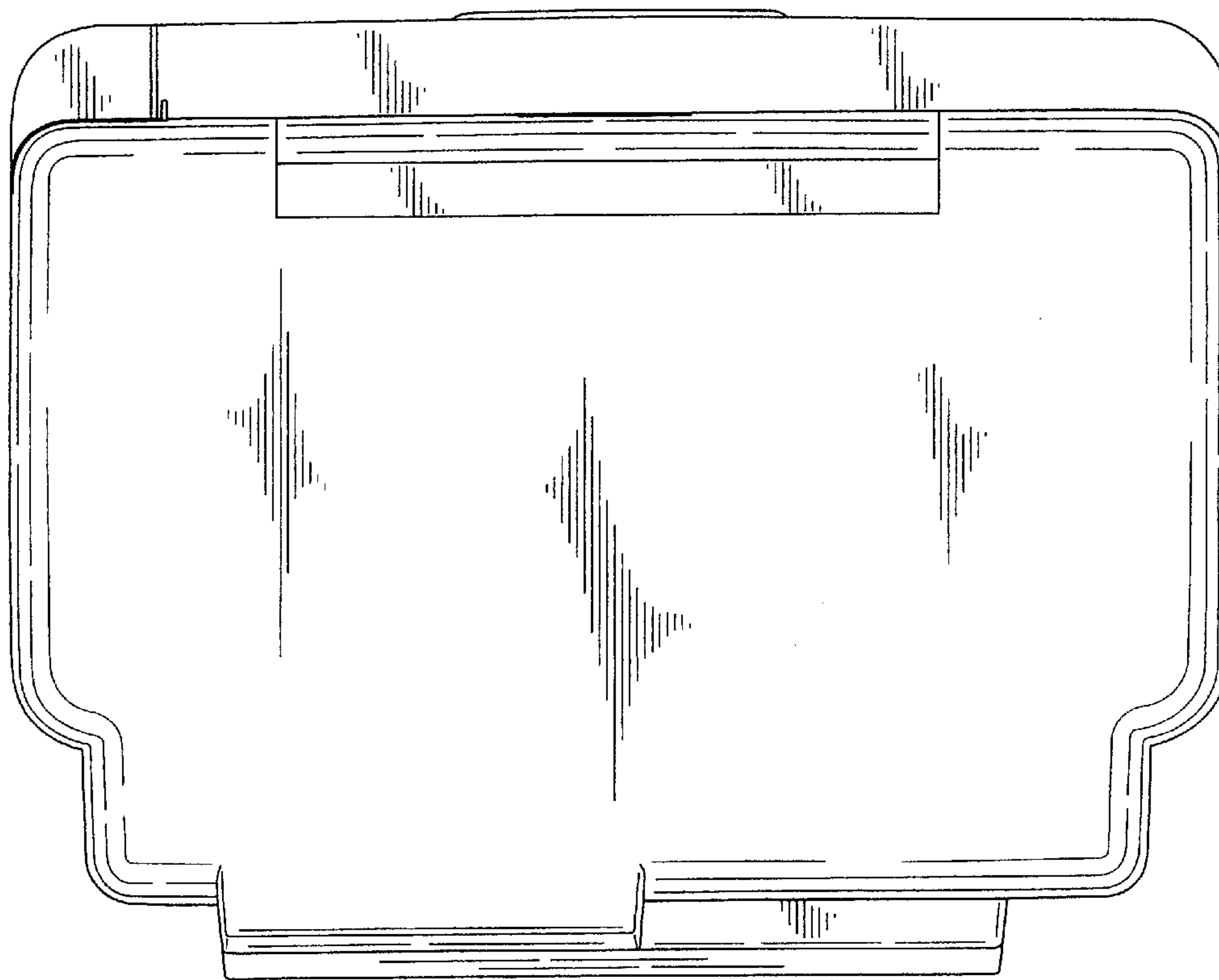


FIG. 7

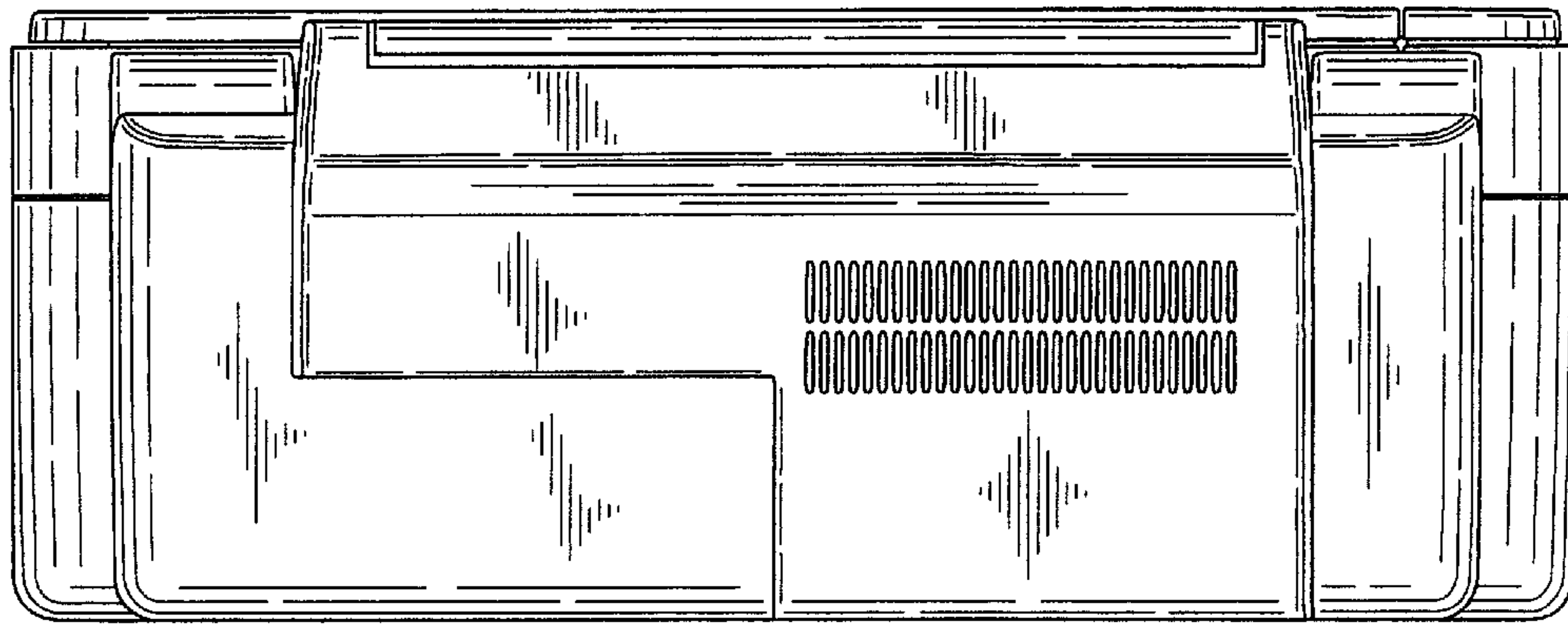


FIG. 8

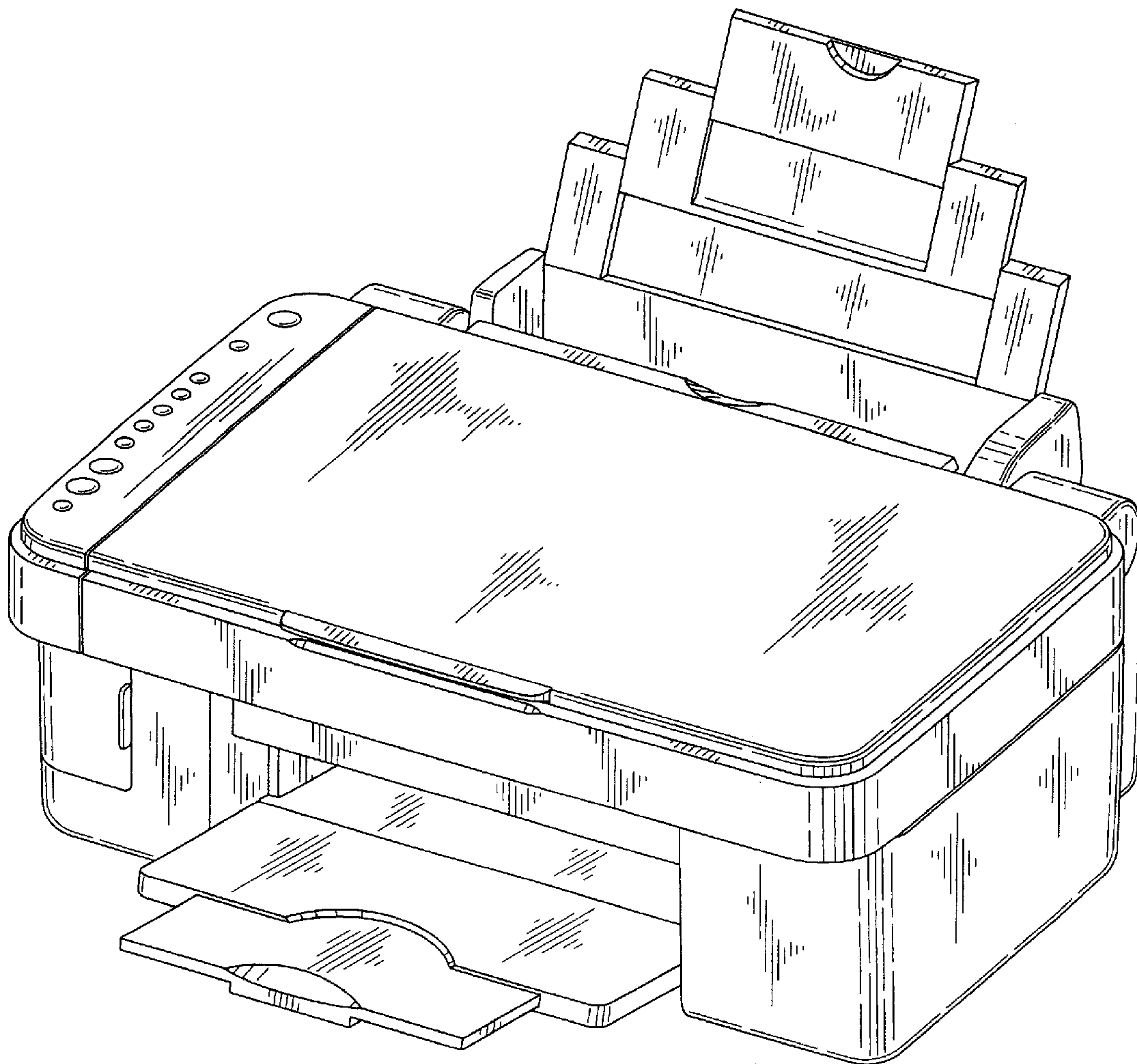


FIG. 9

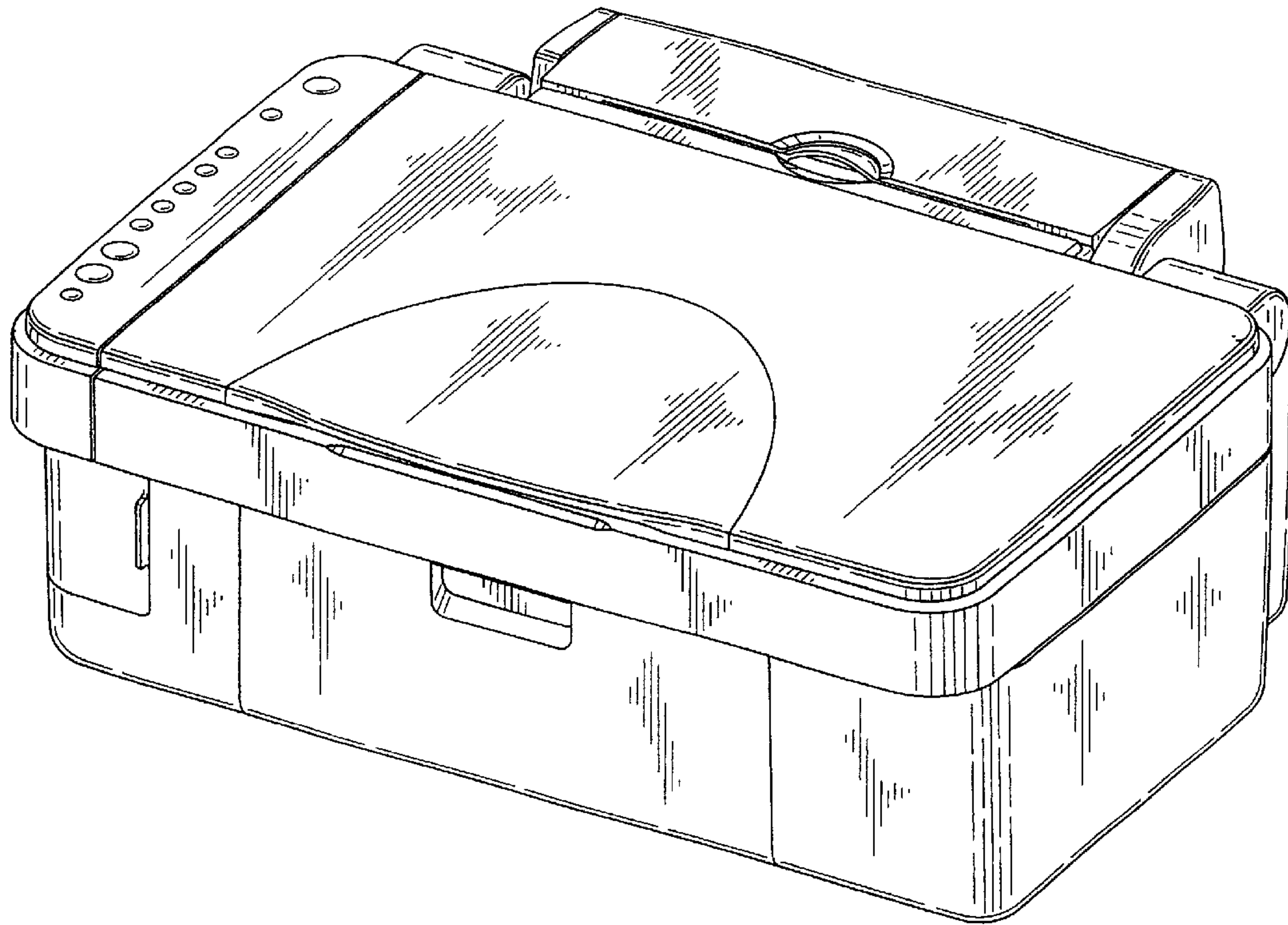


FIG. 10

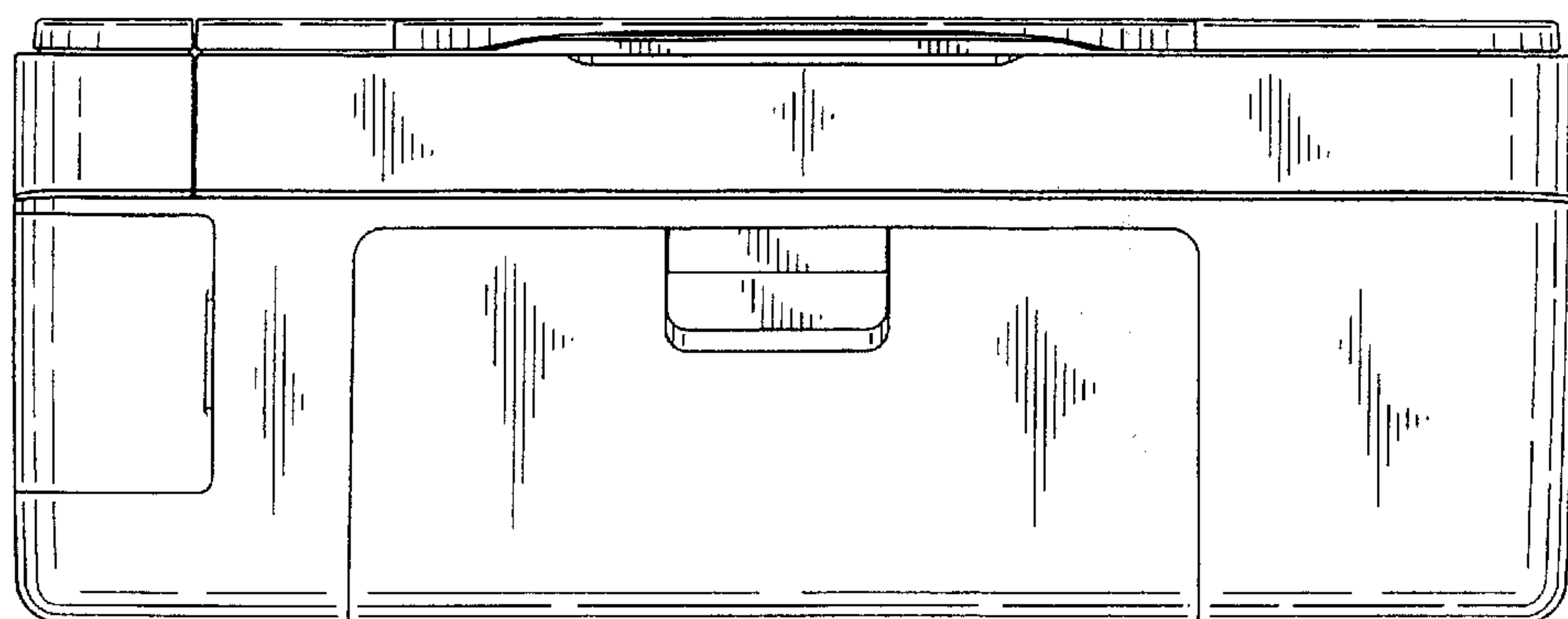


FIG. 11

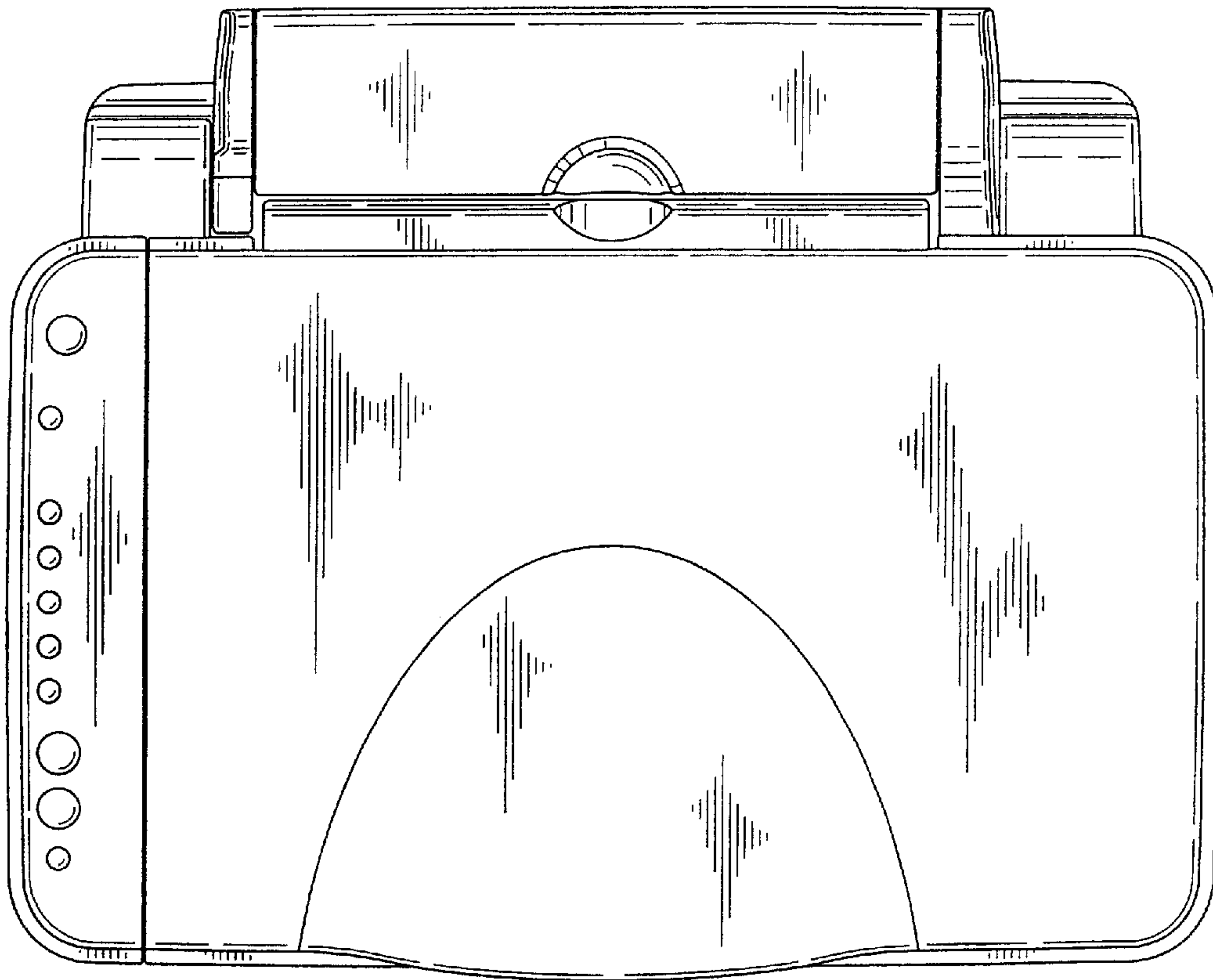


FIG. 12

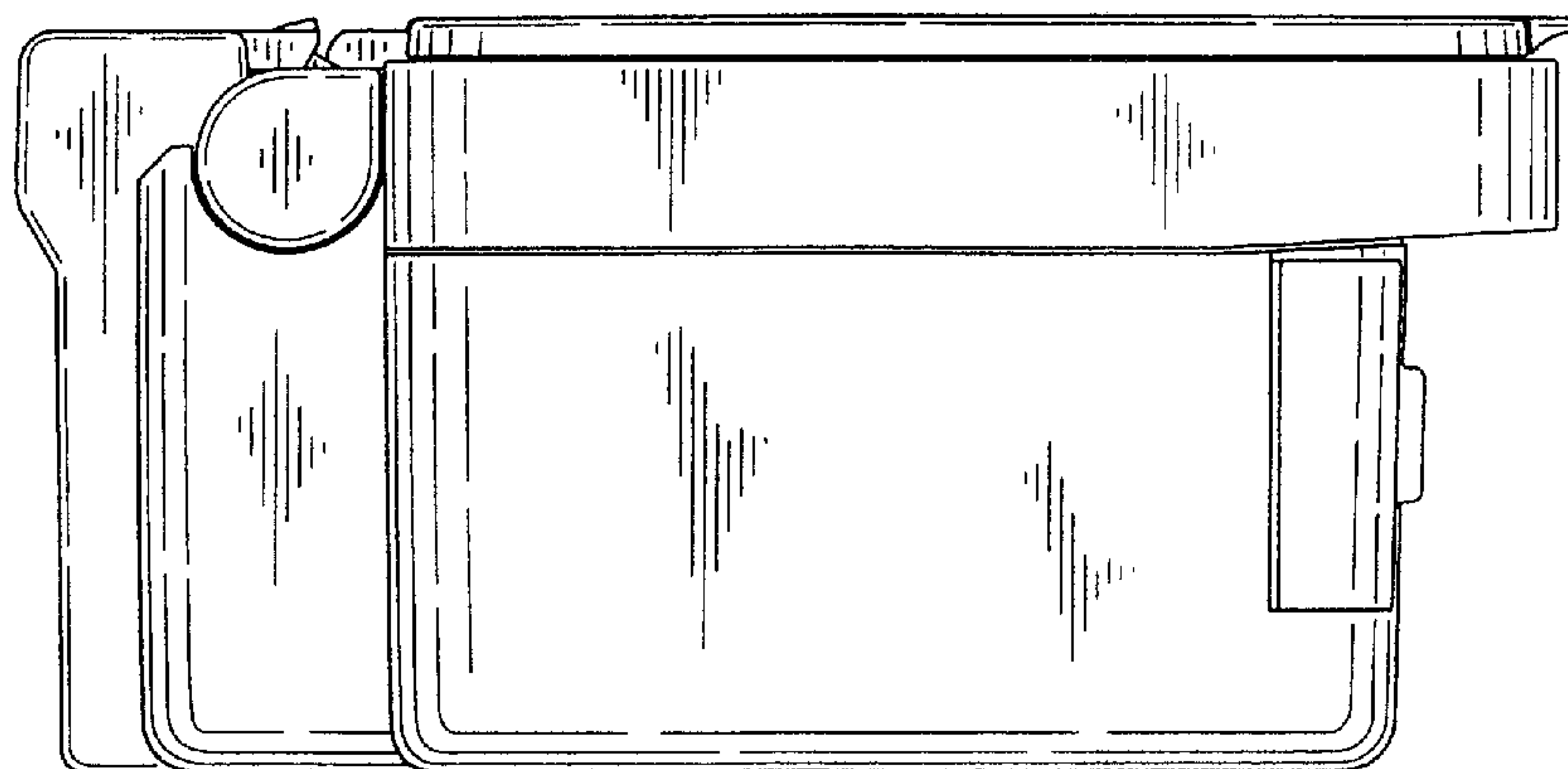


FIG. 13

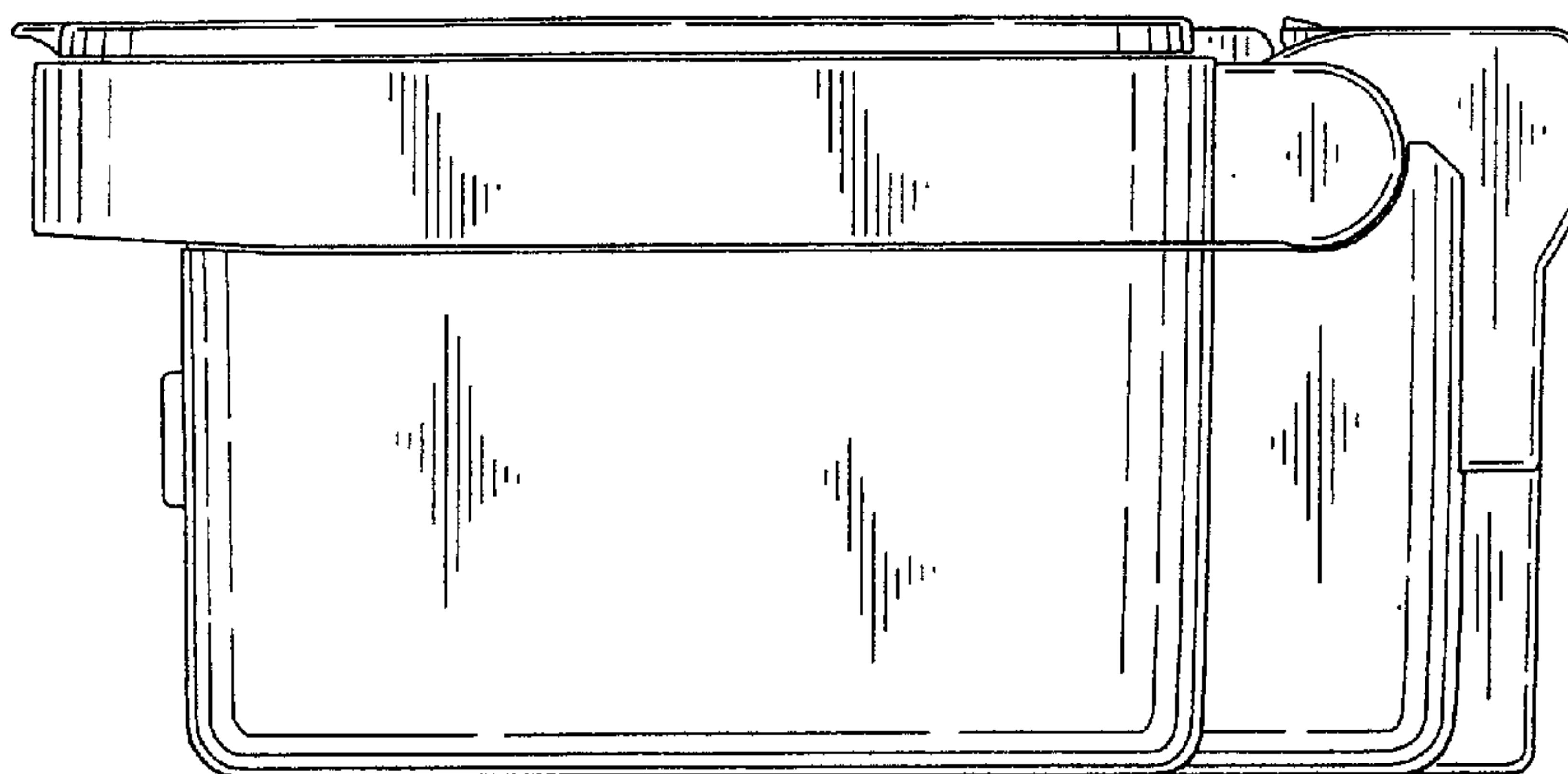


FIG. 14

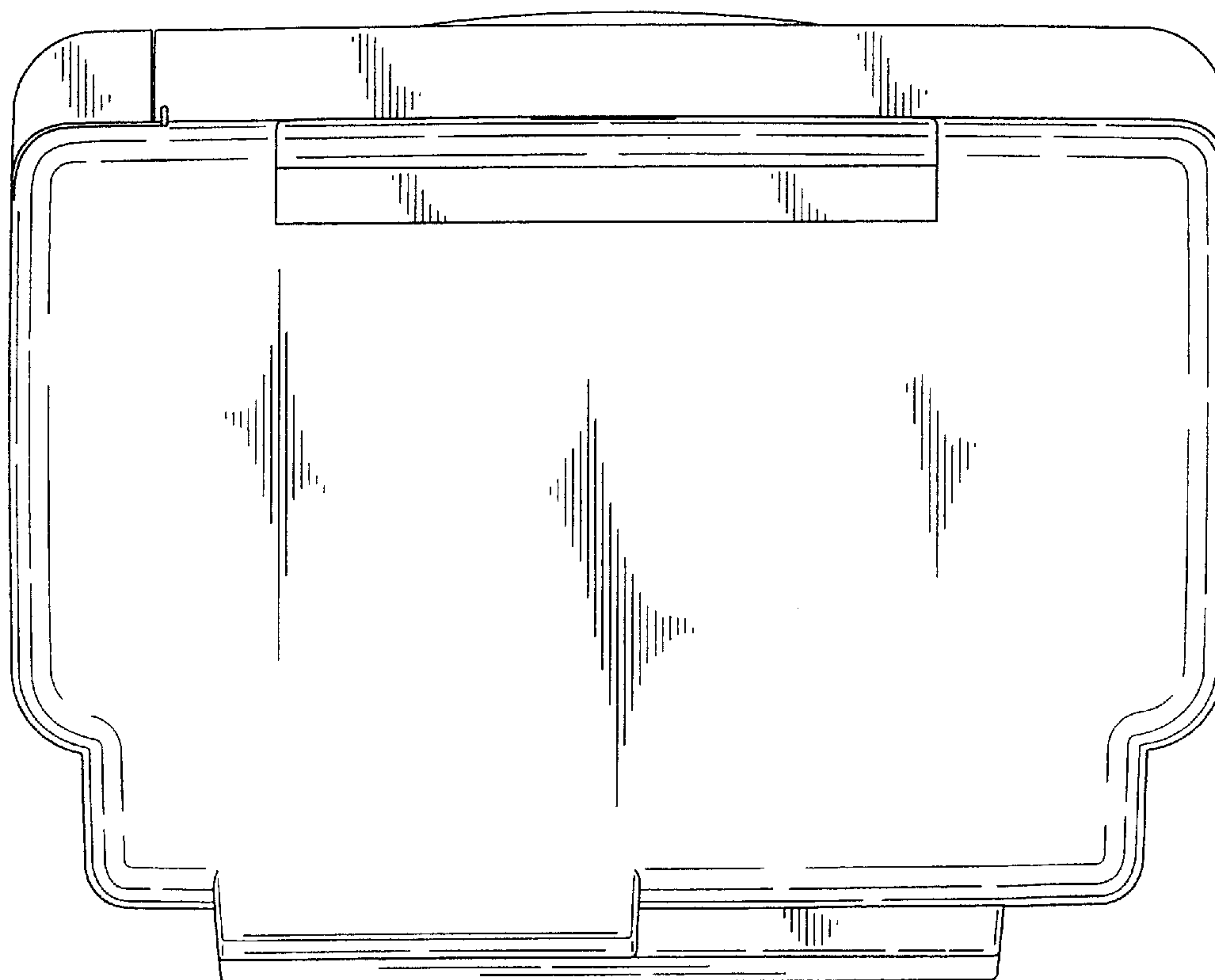


FIG. 15

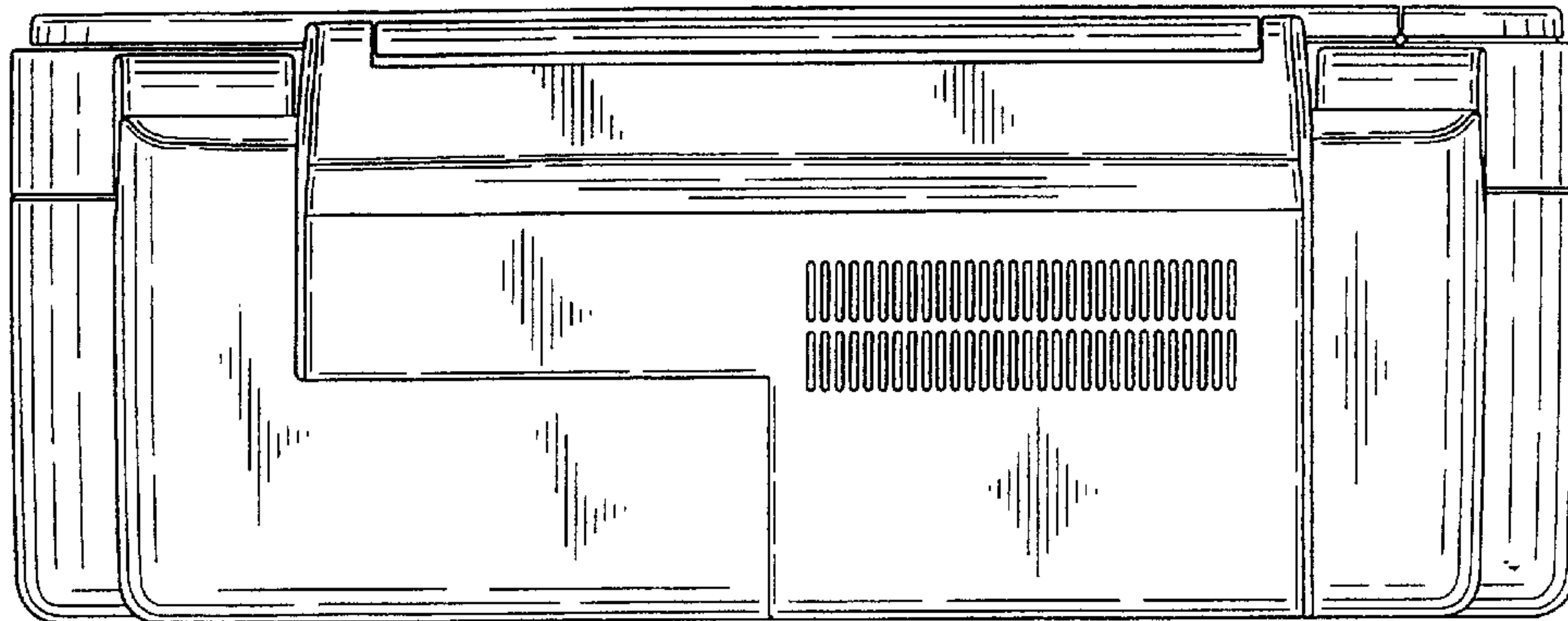


FIG. 16

