

US00D536371S

(12) **United States Design Patent**
Yamaguchi

(10) **Patent No.:** **US D536,371 S**

(45) **Date of Patent:** **** Feb. 6, 2007**

(54) **PRINTER**

(75) Inventor: **Yasutake Yamaguchi**, Chiryu (JP)

(73) Assignee: **Brother Industries, Ltd.**, Nagoya (JP)

(**) Term: **14 Years**

(21) Appl. No.: **29/238,420**

(22) Filed: **Sep. 16, 2005**

(30) **Foreign Application Priority Data**

Apr. 11, 2005 (JP) 2005-010803

(51) **LOC (8) Cl.** **14-02**

(52) **U.S. Cl.** **D18/50**

(58) **Field of Classification Search** D18/14,
D18/19, 36-39, 41, 50, 53, 54, 54.1, 55;
D14/420-425, 462, 470; D16/246-248; 399/107;
400/613, 613.1-613.4, 690.1-690.4, 691-694
See application file for complete search history.

(56) **References Cited**

U.S. PATENT DOCUMENTS

- D261,146 S * 10/1981 Sakai et al. D18/37
- D328,609 S * 8/1992 Isida D8/36
- D362,674 S * 9/1995 Ishibashi et al. D18/39
- D378,925 S * 4/1997 Komatsu D18/38

- D386,517 S * 11/1997 Takahashi et al. D18/39
- D387,364 S * 12/1997 Boucher et al. D15/133
- D405,110 S * 2/1999 Yamamoto et al. D18/54
- D408,844 S * 4/1999 Komatsu D18/39
- D433,439 S * 11/2000 Yoshida et al. D18/36
- D434,068 S * 11/2000 Ikeda et al. D18/54
- D452,703 S * 1/2002 Hirose et al. D18/55
- D479,555 S * 9/2003 Sakai D18/50
- D501,024 S * 1/2005 Suzuki et al. D18/55

* cited by examiner

Primary Examiner—Cathy Anne MacCormac

(74) *Attorney, Agent, or Firm*—Oliff & Berridge, PLC

(57) **CLAIM**

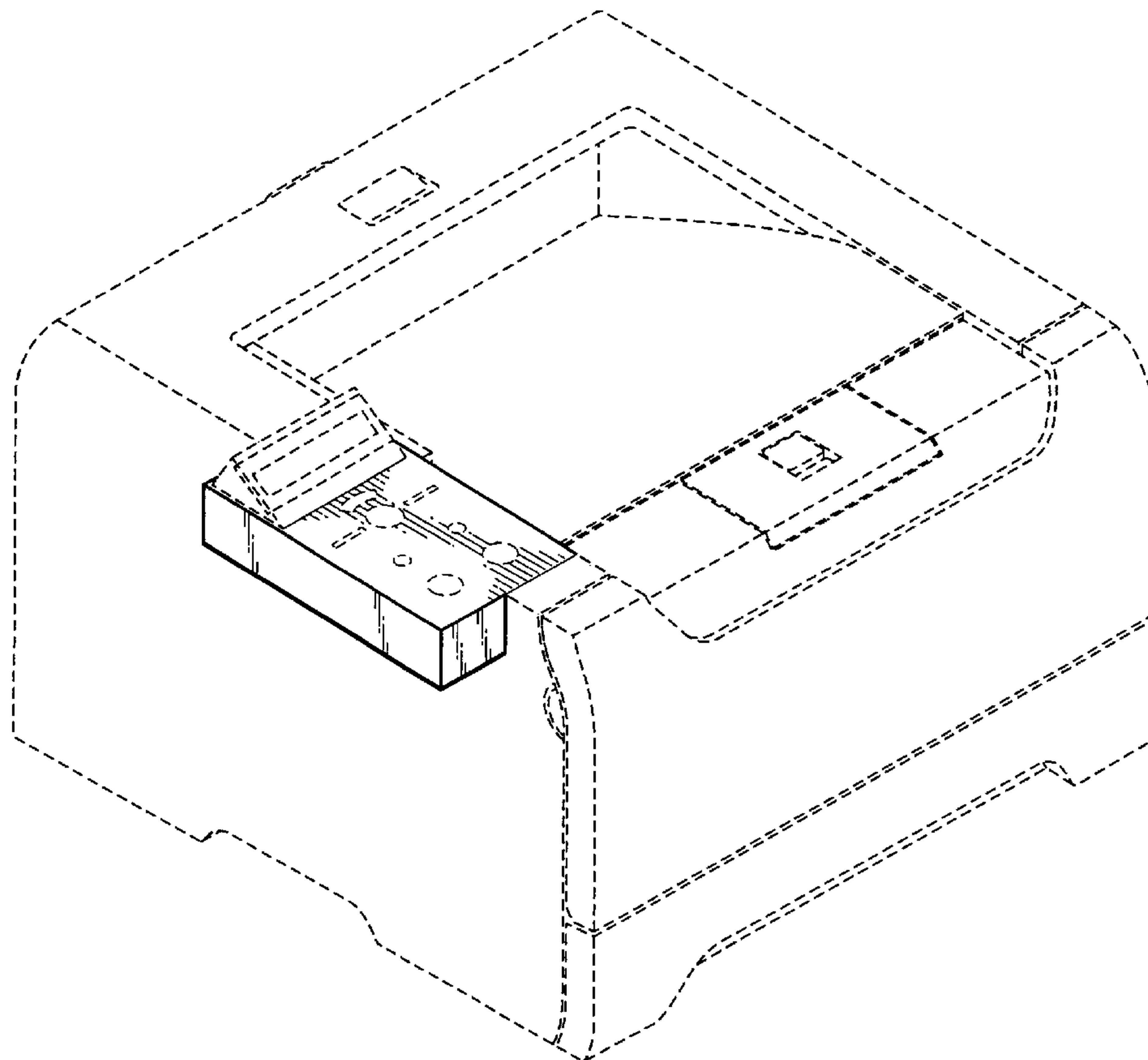
The ornamental design for a printer, as shown and described.

DESCRIPTION

FIG. 1 is a perspective view of a printer;
FIG. 2 is a front view thereof;
FIG. 3 is a top view thereof;
FIG. 4 is a left-side view thereof;
FIG. 5 is a rear view thereof; and,
FIG. 6 is a bottom view thereof.

The broken lines are for purposes of illustration only and form no part of the claimed design.

1 Claim, 4 Drawing Sheets



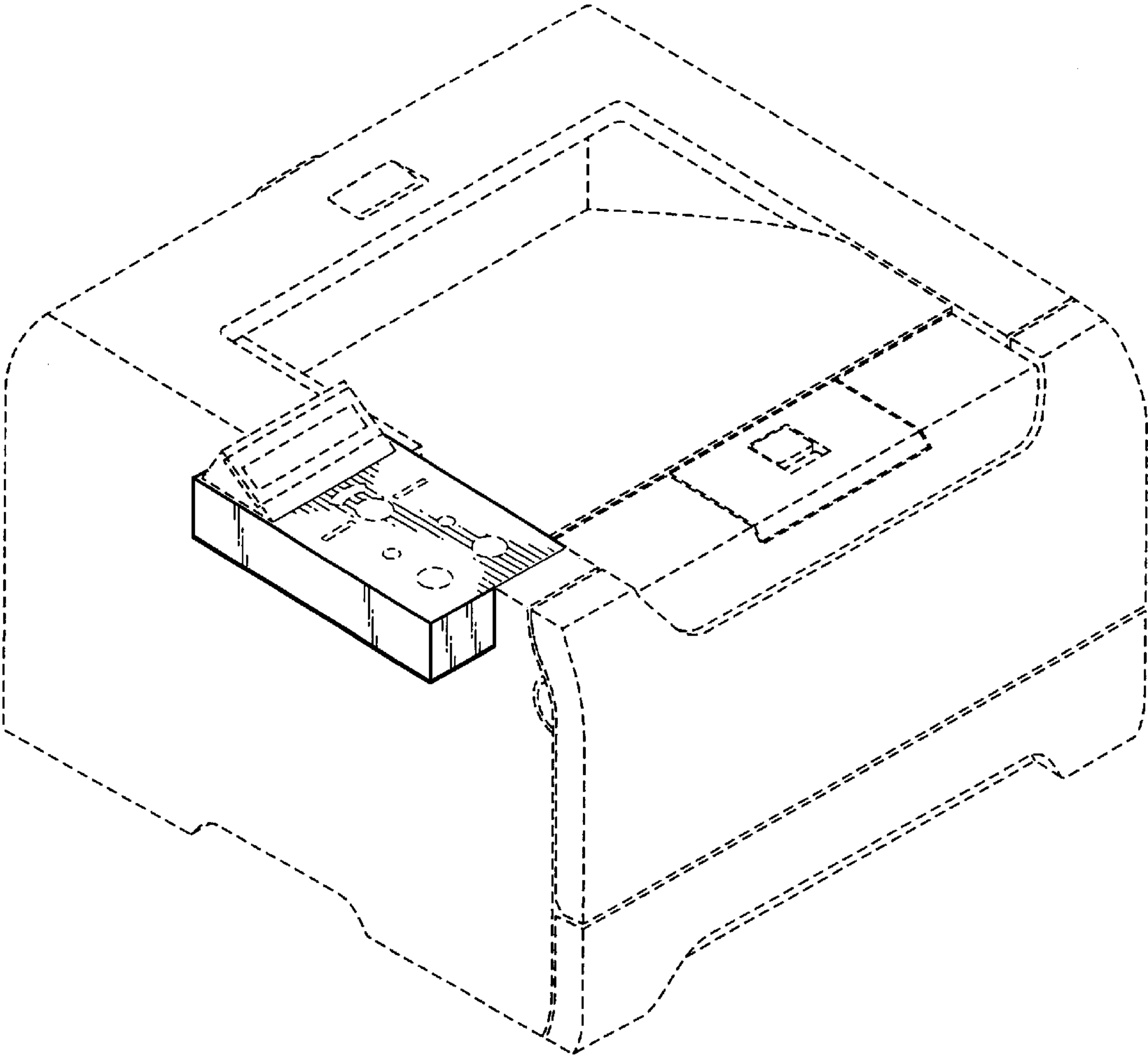


FIG. 1

FIG. 2

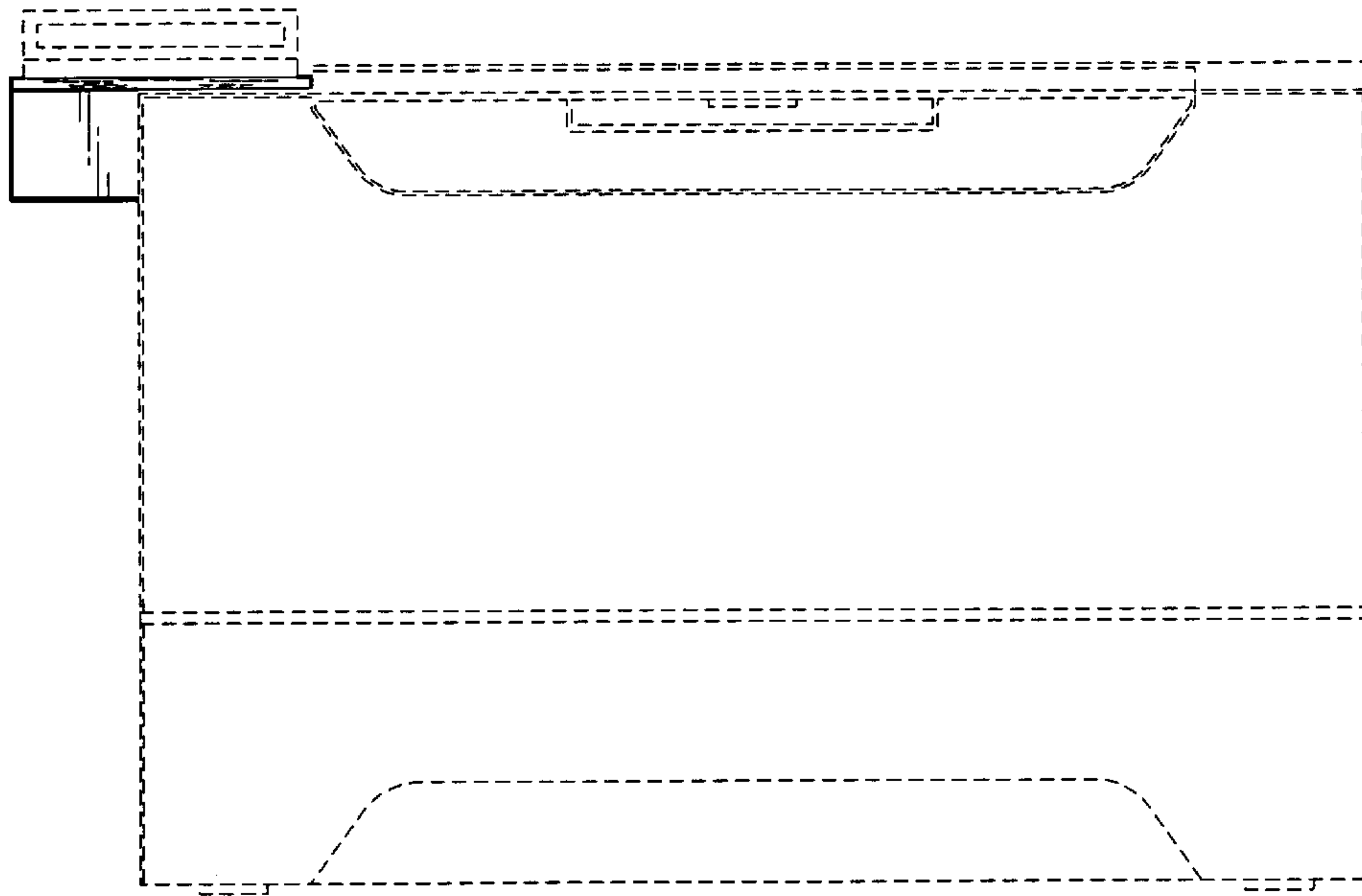
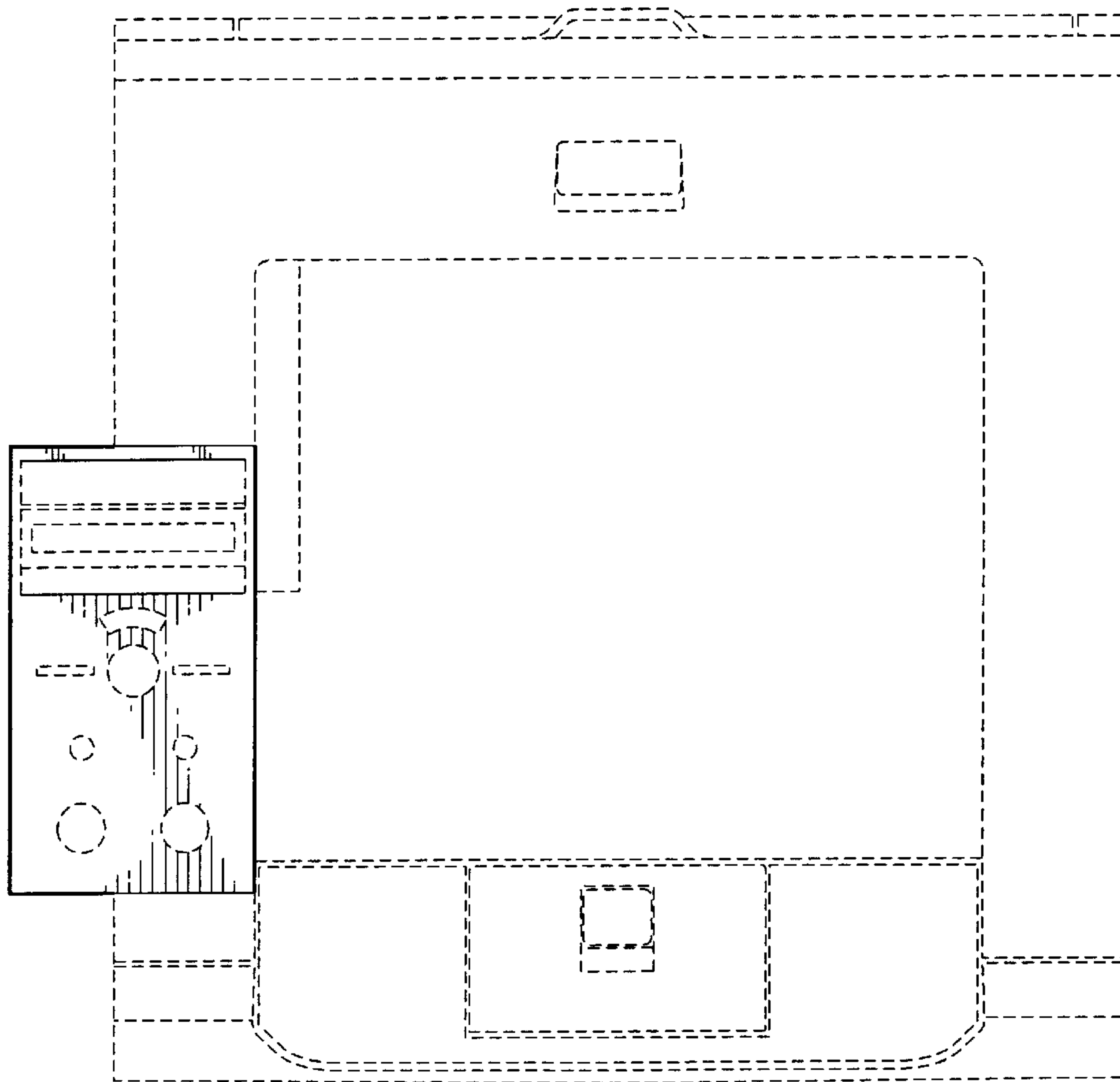


FIG. 3



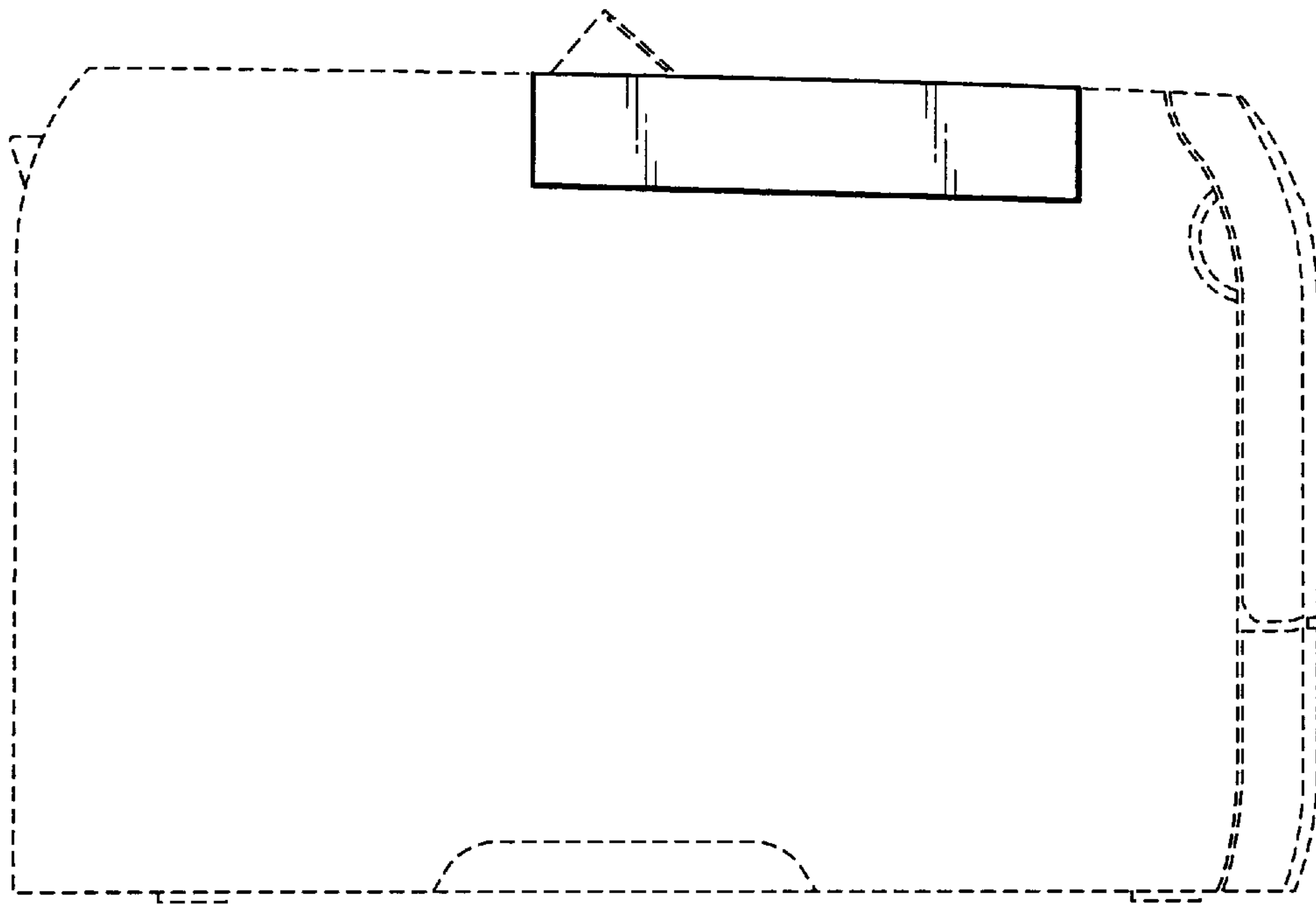


FIG. 4

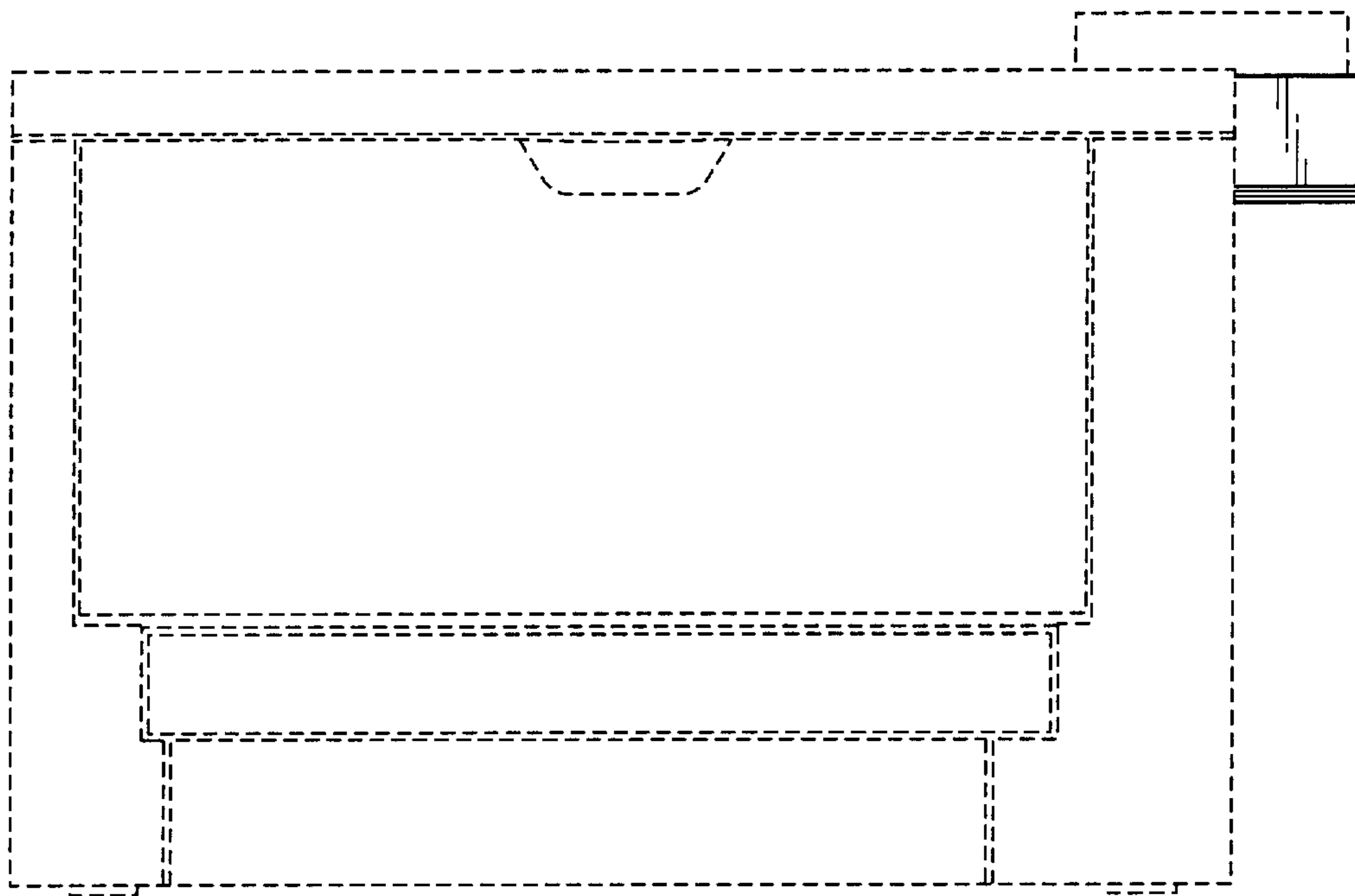


FIG. 5

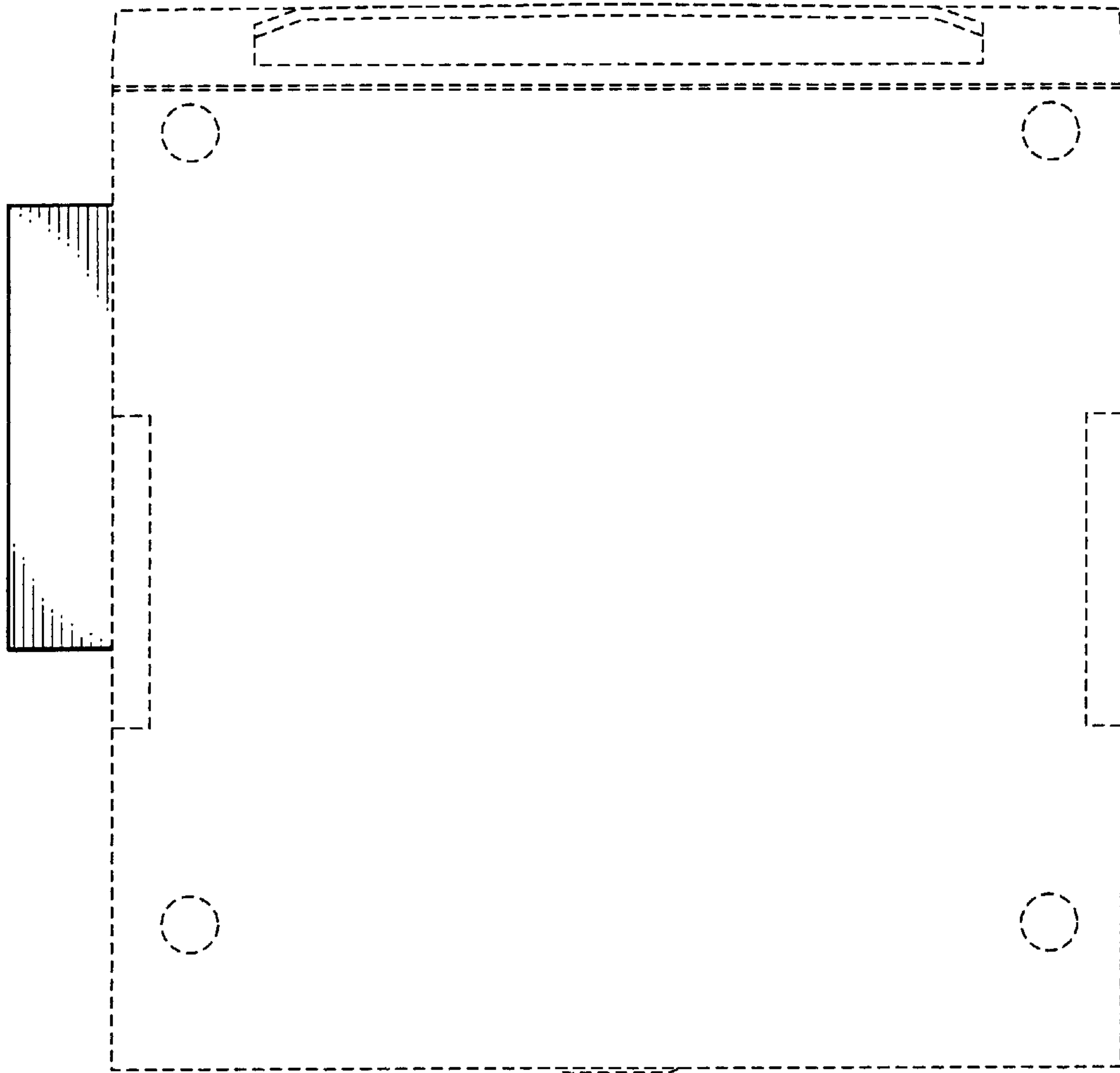


FIG. 6