



US00D536369S

(12) **United States Design Patent**
Friedrich et al.

(10) **Patent No.:** **US D536,369 S**

(45) **Date of Patent:** **** Feb. 6, 2007**

(54) **LETTER DEPOSITER**

(75) Inventors: **Lutz Friedrich**, Birkenwerder (DE);
Hans-Peter Constin, Berlin (DE)

(73) Assignee: **Francotyp-Postalia GmbH**,
Birkenwerder (DE)

(**) Term: **14 Years**

(21) Appl. No.: **29/219,008**

(22) Filed: **Dec. 10, 2004**

(30) **Foreign Application Priority Data**

Jul. 6, 2004 (EM) 000199468

(51) **LOC (8) Cl.** **18-99**

(52) **U.S. Cl.** **D18/48**

(58) **Field of Classification Search** D18/50,
D18/51, 53, 55, 99, 46, 48, 49; D15/199,
D15/145, 6; 101/2, 5, 47, 49, 52, 53, 71;
235/375; 346/9-11, 112; 705/401, 407, 408;
156/441.5, 442, 442.1, 442.4; 270/58.06;
D10/8.91; D19/86, 90

See application file for complete search history.

(56) **References Cited**

U.S. PATENT DOCUMENTS

D290,141 S * 6/1987 Rabig D19/90
4,739,343 A * 4/1988 Dolan 347/214
D310,843 S * 9/1990 Kosako et al. D18/48
D340,068 S * 10/1993 Chan D19/90

D357,939 S * 5/1995 Turmala D19/90
D369,380 S * 4/1996 Hosoya et al. D18/49
D380,770 S * 7/1997 Muchenberger et al. ... D15/145
D414,798 S * 10/1999 Brooks et al. D18/51
D418,864 S * 1/2000 Igarashi D18/49
D439,279 S * 3/2001 McColskey et al. D19/90
D439,606 S * 3/2001 Suzuki et al. D18/49
D489,096 S * 4/2004 Chen D19/90
D494,213 S * 8/2004 Wong D18/49

* cited by examiner

Primary Examiner—Charles A. Rademaker

(74) *Attorney, Agent, or Firm*—Laurence A. Greenberg;
Werner H. Stemer; Ralph E. Locher

(57) **CLAIM**

The ornamental design for a letter depositer, as shown and described.

DESCRIPTION

The novel letter depositer, or delivery, according to our new design is particularly suitable for use in combination with and in the assembly entitled “franking machine with a sealer, a scale, and a depositer” as shown, described, and claimed in our concurrently filed, copending application which is herewith incorporated by reference.

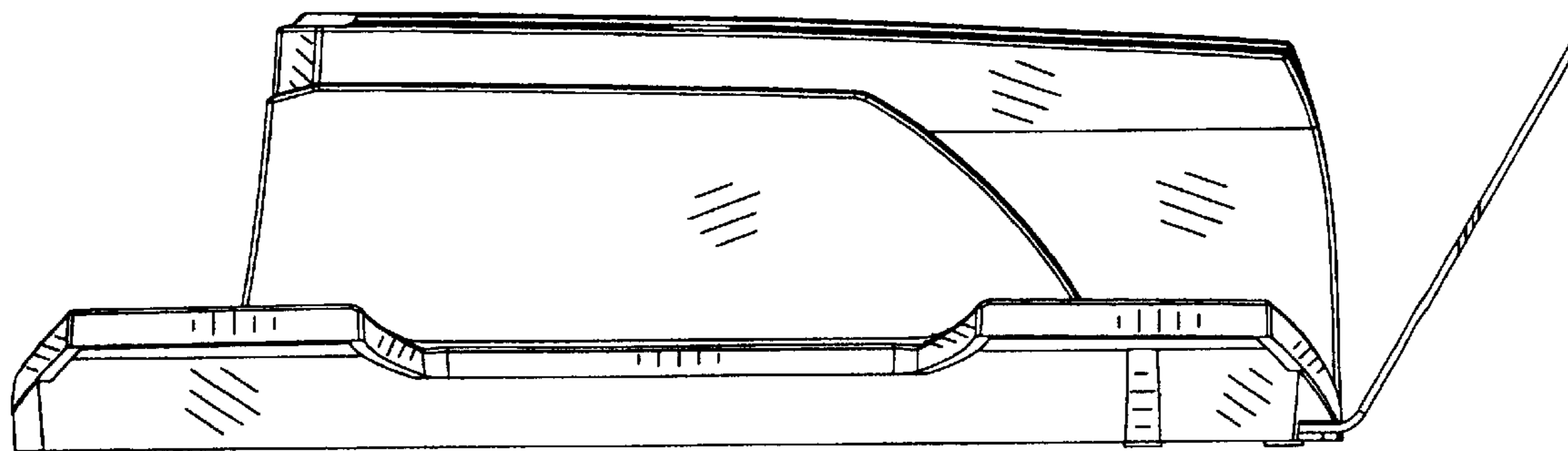
FIG. 1 is a front view of the letter depositer showing our new design;

FIG. 2 is a left side view thereof;

FIG. 3 is a right side front top perspective view thereof; and,

FIG. 4 is a right side view thereof.

1 Claim, 2 Drawing Sheets



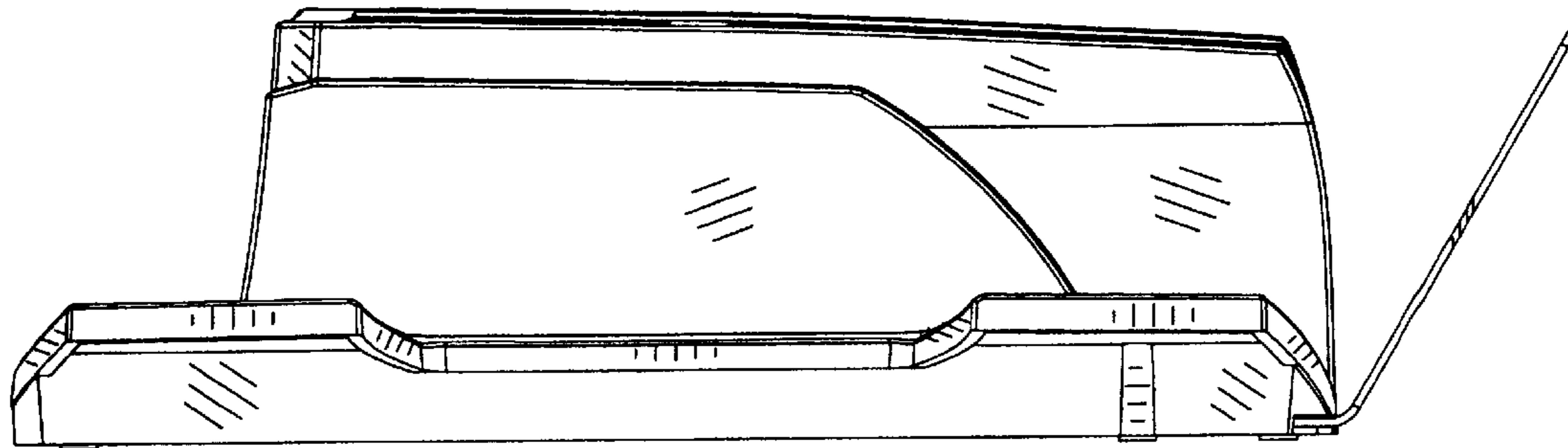


FIG. 1

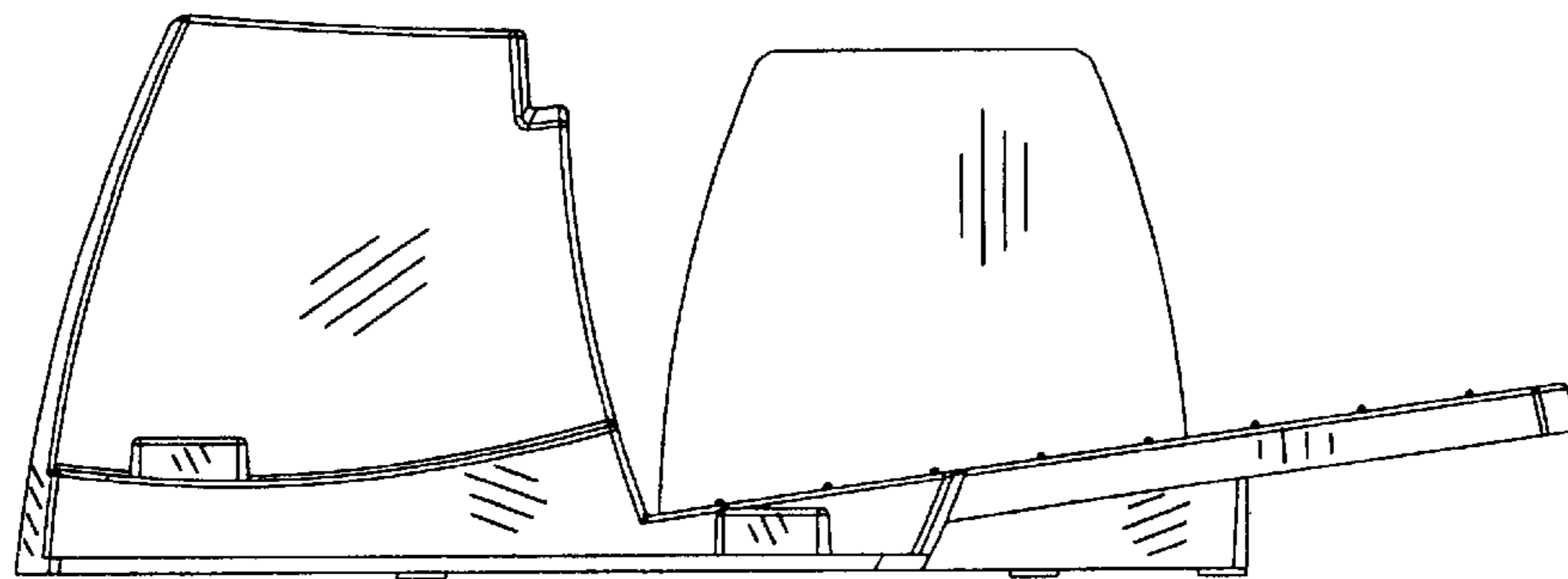


FIG. 2

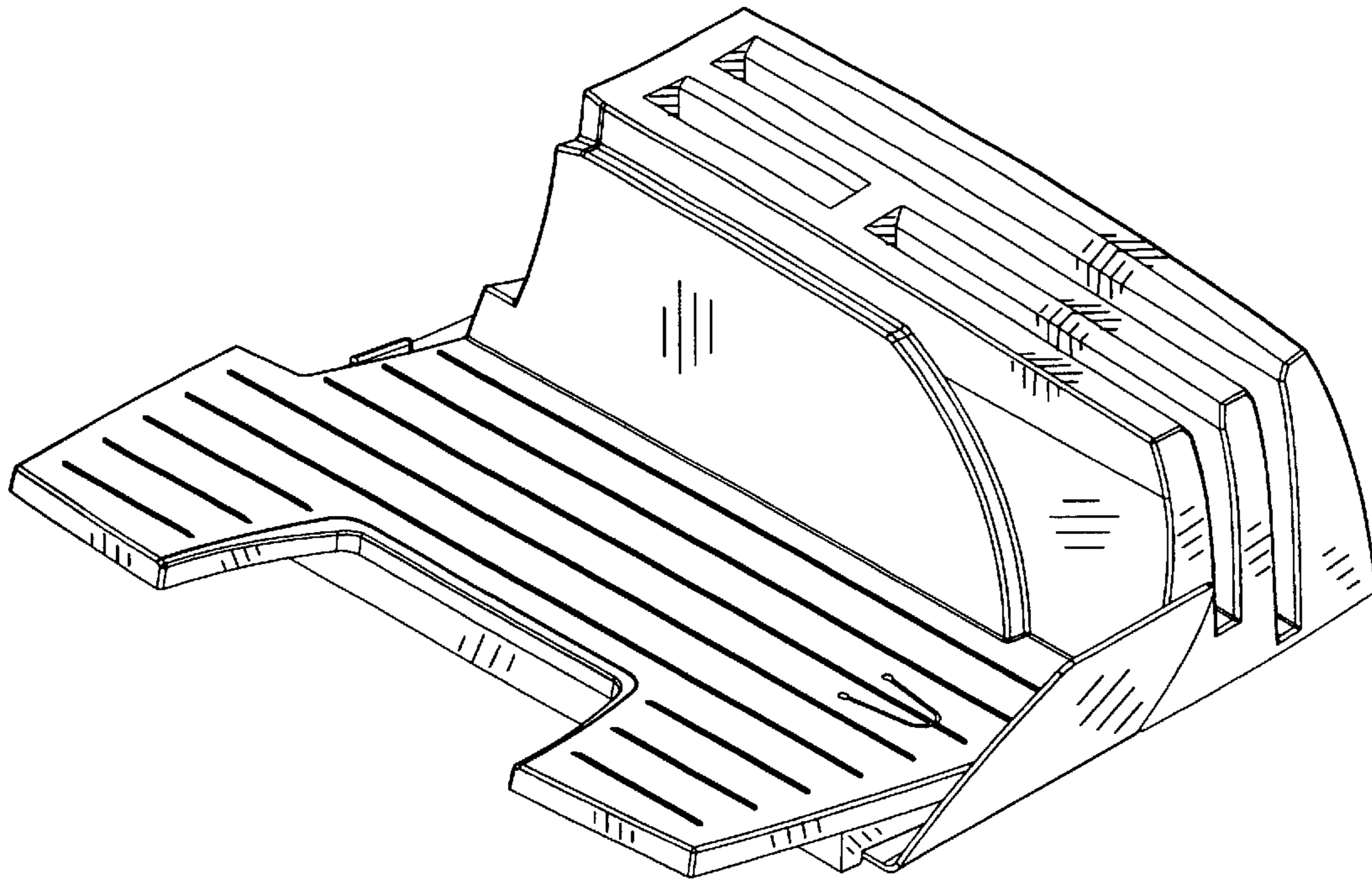


FIG. 3

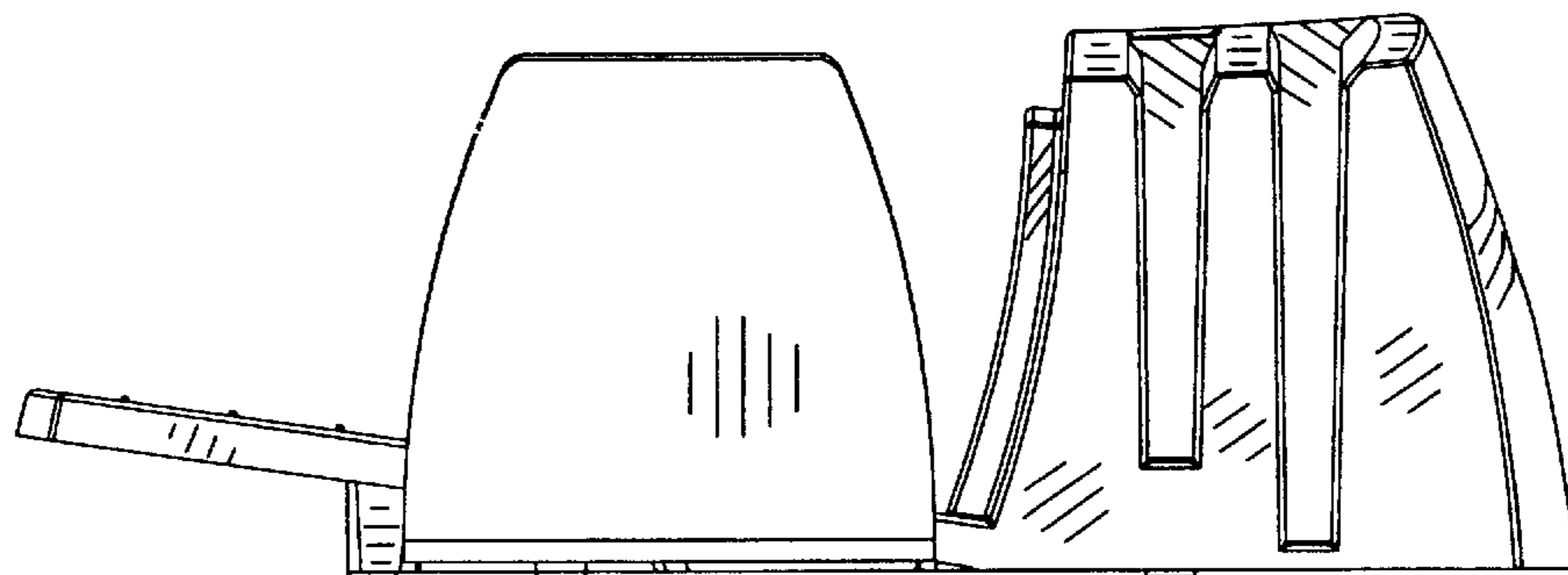


FIG. 4