



US00D536368S

(12) **United States Design Patent**
Christian et al.

(10) **Patent No.:** **US D536,368 S**

(45) **Date of Patent:** **** Feb. 6, 2007**

(54) **PNEUMATIC TUBE SYSTEM TRANSACTION
TERMINAL CAP**

(75) Inventors: **Todd Christian**, Dalton, OH (US); **Neil
Gromley**, Kensington, OH (US); **Gary
Baker**, Bolivar, OH (US); **Daniel
McIntyre**, Uniontown, OH (US);
Donald S. Nelson, Jr., Akron, OH (US)

(73) Assignee: **Diebold, Incorporated**, North Canton,
OH (US)

(**) Term: **14 Years**

(21) Appl. No.: **29/220,934**

(22) Filed: **Jan. 7, 2005**

(51) **LOC (8) Cl.** **18-99**

(52) **U.S. Cl.** **D18/35**

(58) **Field of Classification Search** D18/35,
D18/99; 406/111, 112, 1, 34, 37, 184-190;
D99/28, 35; 138/DIG. 8

See application file for complete search history.

(56) **References Cited**

U.S. PATENT DOCUMENTS

723,457 A * 3/1903 Gipe 406/190
842,419 A * 1/1907 Palmer 406/188
1,651,333 A * 11/1927 Merrill 406/186
3,072,362 A * 1/1963 Allen 406/188

D227,346 S * 6/1973 Fischer D18/35
D251,995 S * 5/1979 Bell D99/28
D263,086 S * 2/1982 Best et al. D99/28
D338,317 S * 8/1993 Woodward D99/28
D354,508 S * 1/1995 Vogel D18/35
5,980,164 A * 11/1999 Fratello 406/190

FOREIGN PATENT DOCUMENTS

GB 3014214 * 10/2004

* cited by examiner

Primary Examiner—Charles A. Rademaker

(74) *Attorney, Agent, or Firm*—Ralph E. Jocke; Walker &
Jocke

(57) **CLAIM**

We claim the ornamental design for the pneumatic tube
system transaction terminal cap, as shown.

DESCRIPTION

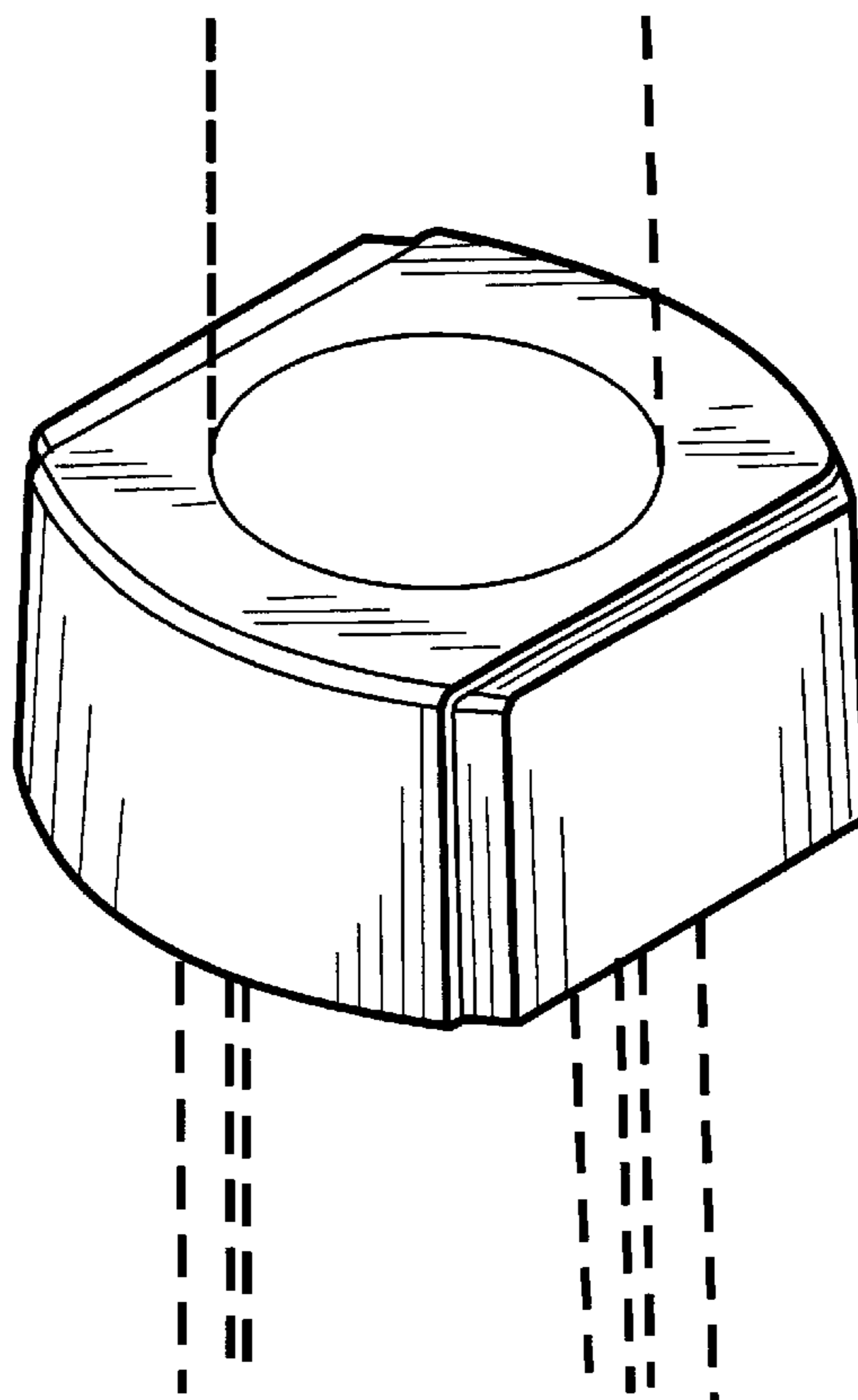
FIG. 1 is a top perspective view of a pneumatic tube system
transaction terminal cap showing our new design;

FIG. 2 is a right side elevation thereof, the side opposite
being identical; and,

FIG. 3 is a front elevation thereof, the rear being identical.

The broken line showing of environment in the drawings is
for illustrative purposes only and forms no part of the
claimed design.

1 Claim, 2 Drawing Sheets



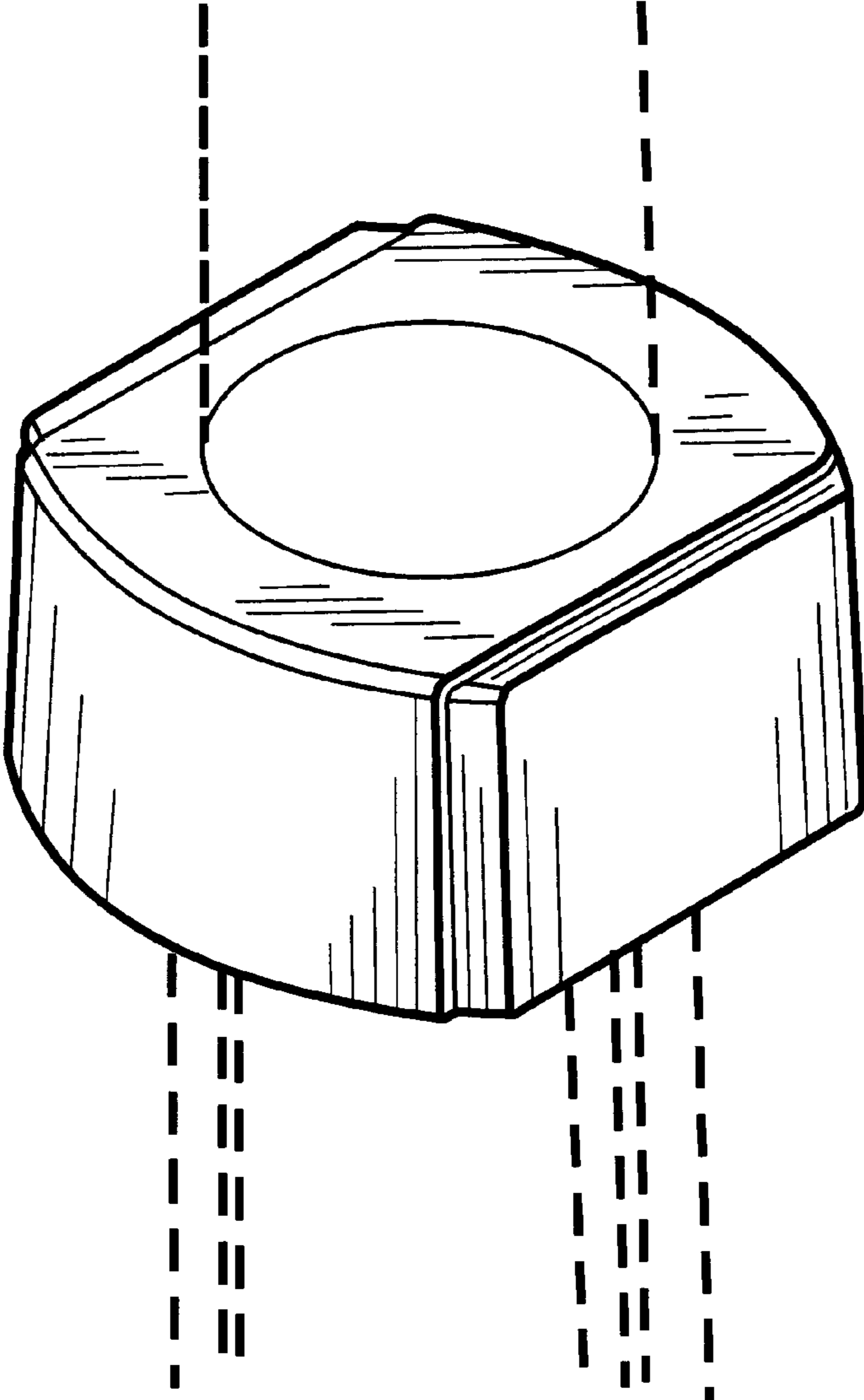


Fig. 1

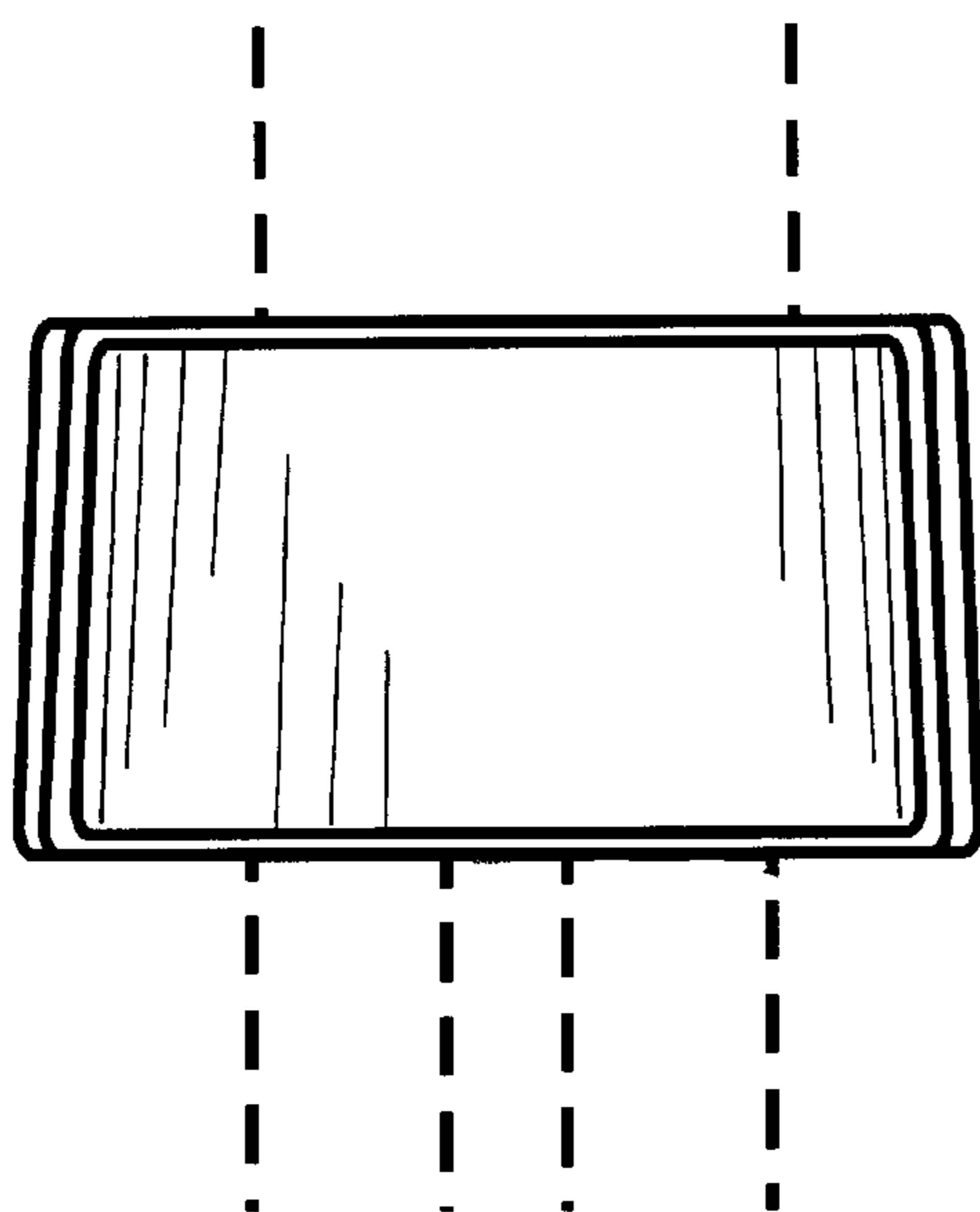


Fig. 2

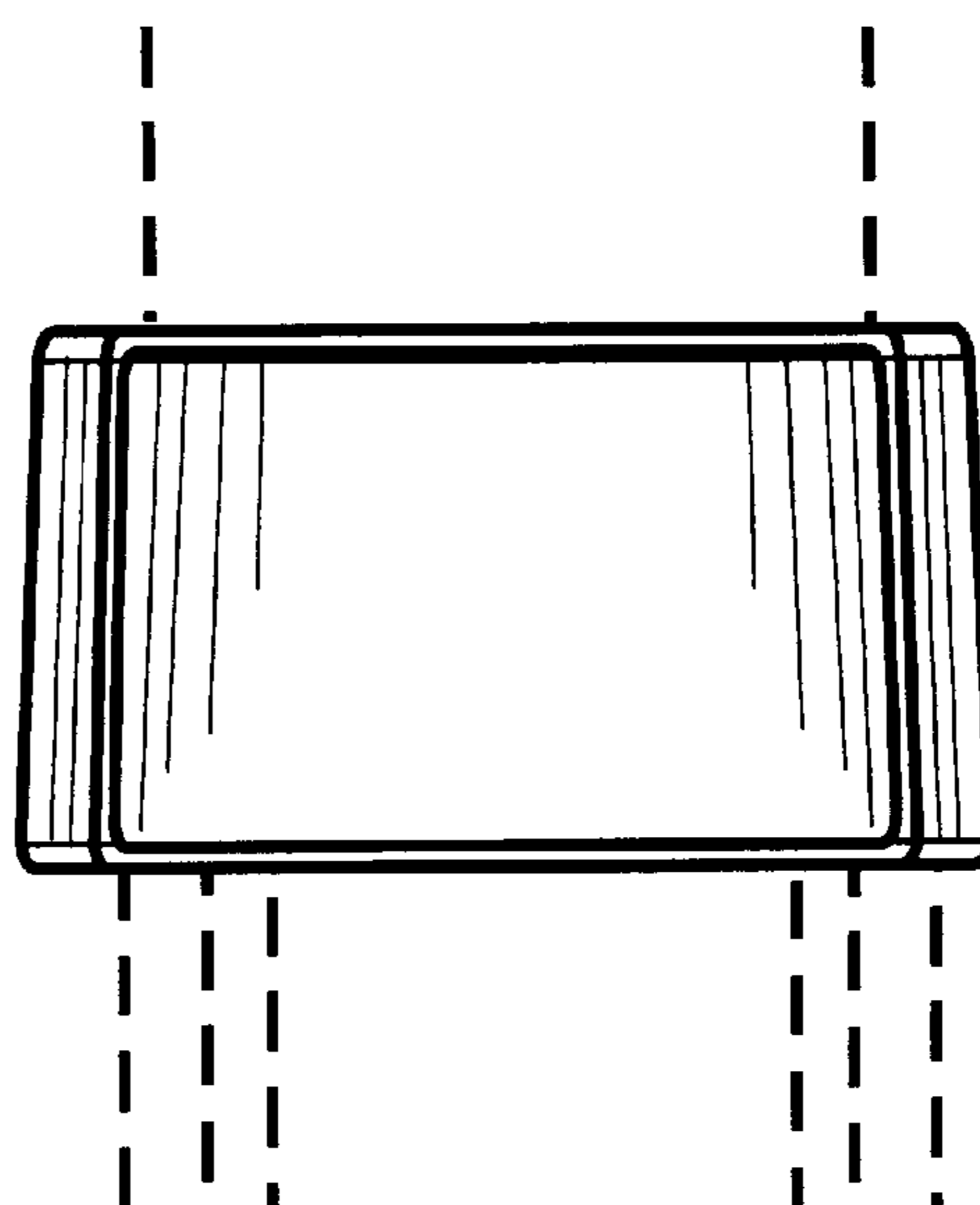


Fig. 3