



US00D536367S

(12) **United States Design Patent**
Gunter et al.

(10) **Patent No.:** **US D536,367 S**

(45) **Date of Patent:** **** Feb. 6, 2007**

- (54) **PAPER TRIMMER**
- (75) Inventors: **James R. Gunter**, Provo, UT (US); **M. Ann Merrill**, Draper, UT (US)
- (73) Assignee: **Provo Craft and Novelty, Inc.**, Spanish Fork, UT (US)
- (**) Term: **14 Years**
- (21) Appl. No.: **29/230,268**
- (22) Filed: **May 18, 2005**
- (51) **LOC (8) Cl.** **18-04**
- (52) **U.S. Cl.** **D18/34.9**
- (58) **Field of Classification Search** D18/34.3, D18/34.7, 34.8, 34.9; 83/167, 745, 544, 565, 83/614; 30/151, 292, 294, 319; D10/64, 65
See application file for complete search history.

- D319,840 S * 9/1991 Hatsumi et al. D18/34.8
- 5,069,097 A 12/1991 Mori
- D322,974 S 1/1992 Mori
- 5,322,001 A 6/1994 Boda
- 5,365,822 A * 11/1994 Stapleton et al. 83/745
- D353,150 S 12/1994 Mori
- D360,891 S 8/1995 Birkholz
- D360,892 S 8/1995 Birkholz et al.
- 5,524,515 A 6/1996 Boda
- D377,368 S 1/1997 Rellinger
- D379,193 S 5/1997 Cornell
- D381,359 S 7/1997 Mori
- D387,377 S 12/1997 Daley
- 5,802,942 A 9/1998 Cornell et al.
- 5,819,618 A 10/1998 Rodriguez
- D411,227 S * 6/1999 Mori D18/34.9
- D412,931 S 8/1999 Chan et al.
- D415,404 S 10/1999 Seaton
- D415,519 S * 10/1999 Mori D18/34.8
- D417,693 S 12/1999 Daley, Jr.
- D425,548 S 5/2000 Rellinger
- D427,626 S 7/2000 Robillard

(56) **References Cited**

U.S. PATENT DOCUMENTS

- 318,556 A 5/1885 French
- 442,414 A 12/1890 Blanchard
- 491,307 A 2/1893 Gaylord
- 802,720 A 10/1905 Weber
- 802,721 A 10/1905 Weber
- 821,299 A 5/1906 Lavoie
- 821,681 A 5/1906 Vandemark et al.
- 1,075,050 A 10/1913 Mihills
- 2,327,223 A 8/1943 Silver
- 2,345,450 A 3/1944 Blanc
- 2,672,933 A 3/1954 Bridy
- 2,790,498 A 4/1957 Carscallen
- 3,068,569 A * 12/1962 Campbell, Jr. 30/294
- 3,237,497 A 3/1966 Cook
- 3,301,117 A 1/1967 Spaulding
- 3,527,131 A 9/1970 Ellerin et al.
- 3,648,557 A 3/1972 Lind
- 3,973,459 A 8/1976 Stowe
- 4,075,920 A * 2/1978 Neal 83/745
- 4,096,631 A * 6/1978 Ward 30/294
- 4,957,235 A 9/1990 Beno et al.
- 4,967,628 A 11/1990 Judd et al.
- D319,255 S 8/1991 Beno et al.

(Continued)

Primary Examiner—Charles A. Rademaker
(74) *Attorney, Agent, or Firm*—Morriss O'Bryant Compagni, P.C.

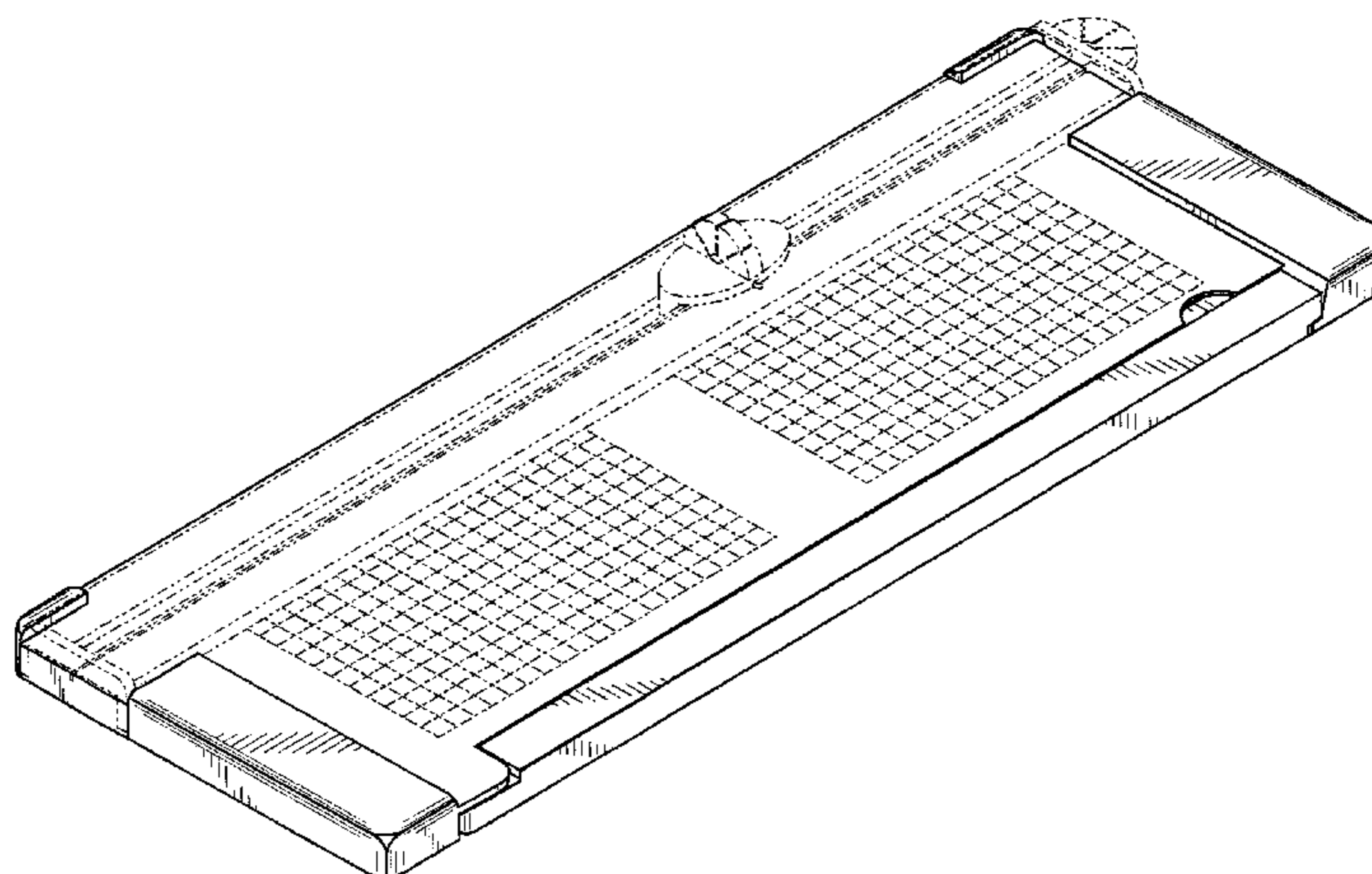
(57) **CLAIM**

The ornamental design for a paper trimmer, as shown and described.

DESCRIPTION

FIG. 1 is a top perspective top view of a paper trimmer showing our new design;
FIG. 2 is a top plan view thereof;
FIG. 3 is a bottom plan view thereof;
FIG. 4 is a front plan view thereof;
FIG. 5 is a rear plan view thereof
FIG. 6 is a right end elevation thereof; and,
FIG. 7 is a left end elevation thereof.
The broken line showing of environment is for illustrative purposes only and forms no part of the claimed design.

1 Claim, 4 Drawing Sheets



US D536,367 S

Page 2

U.S. PATENT DOCUMENTS

6,098,515 A	8/2000	Daley		
6,460,443 B1	10/2002	Hsiao		
D469,461 S	1/2003	Gstalder		
D469,800 S	2/2003	Robillard		
D501,500 S	* 2/2005	Schultz et al.	D18/34.8
D501,501 S	* 2/2005	Schultz et al.	D18/34.8
D503,191 S	3/2005	Mori et al.		
	6,951,159 B2	10/2005	Lin et al.	
	2002/0096031 A1	* 7/2002	Yang	83/614
	2003/0140757 A1	7/2003	Carlson et al.	
	2003/0140761 A1	7/2003	Schulz	
	2004/0149108 A1	8/2004	McLean et al.	
	2004/0221705 A1	11/2004	Vossler	
	2005/0172774 A1	* 8/2005	Tseng	83/614

* cited by examiner

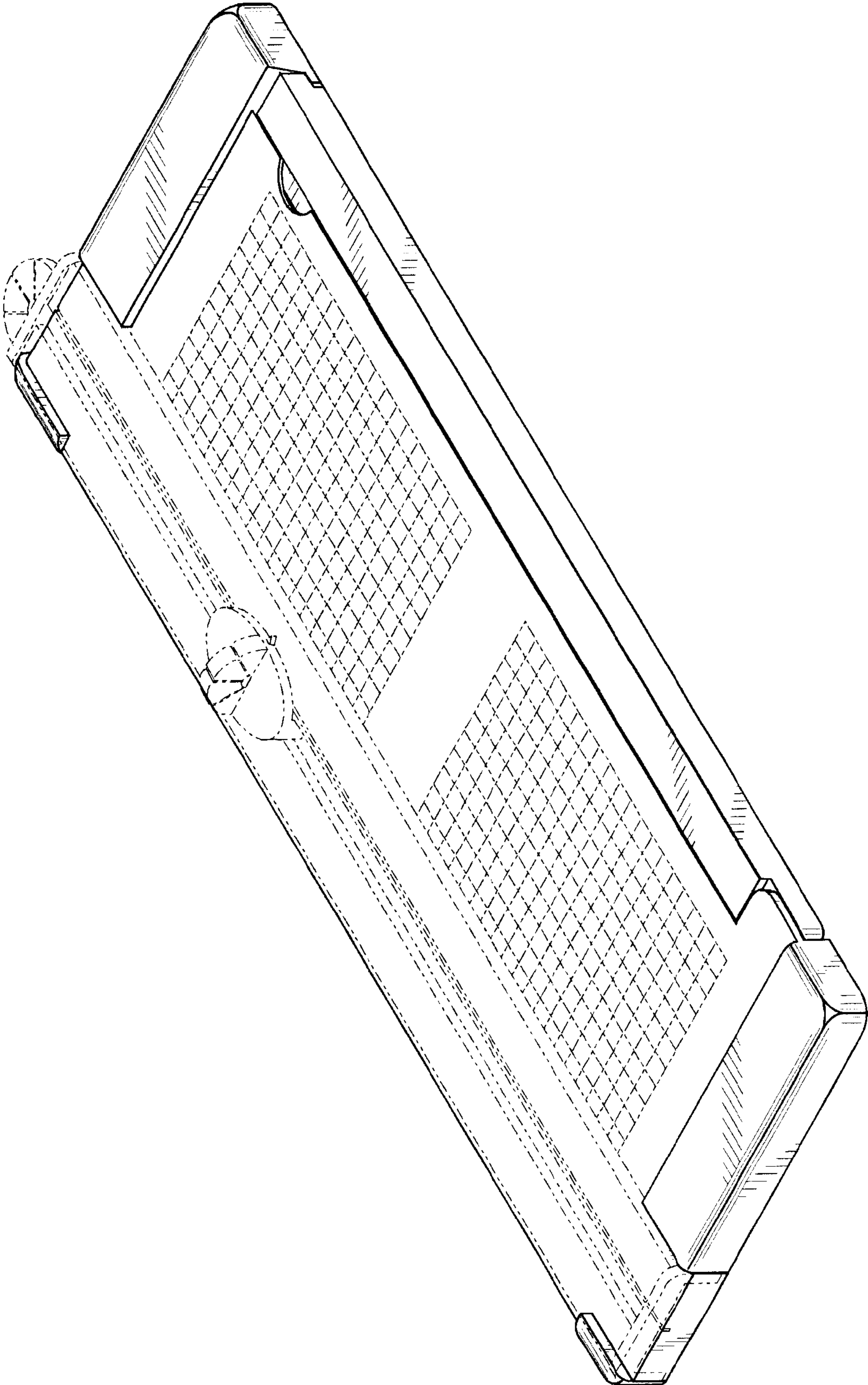


FIG. 1

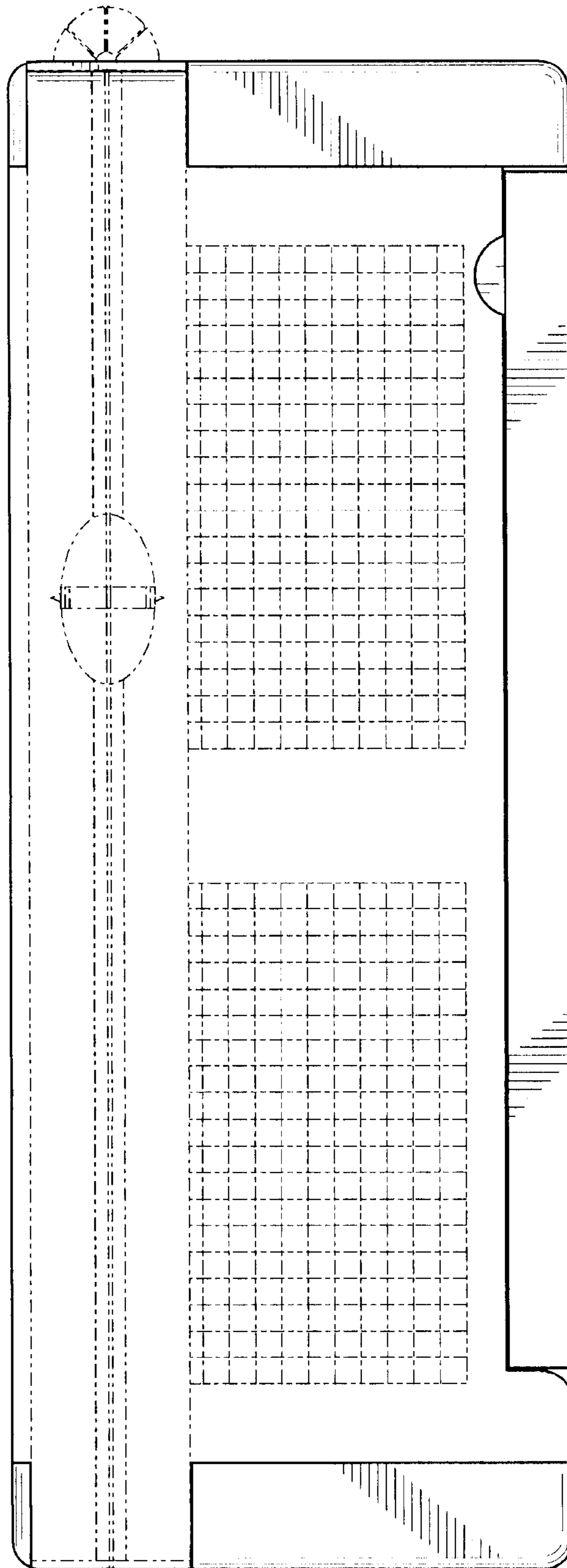


FIG. 2

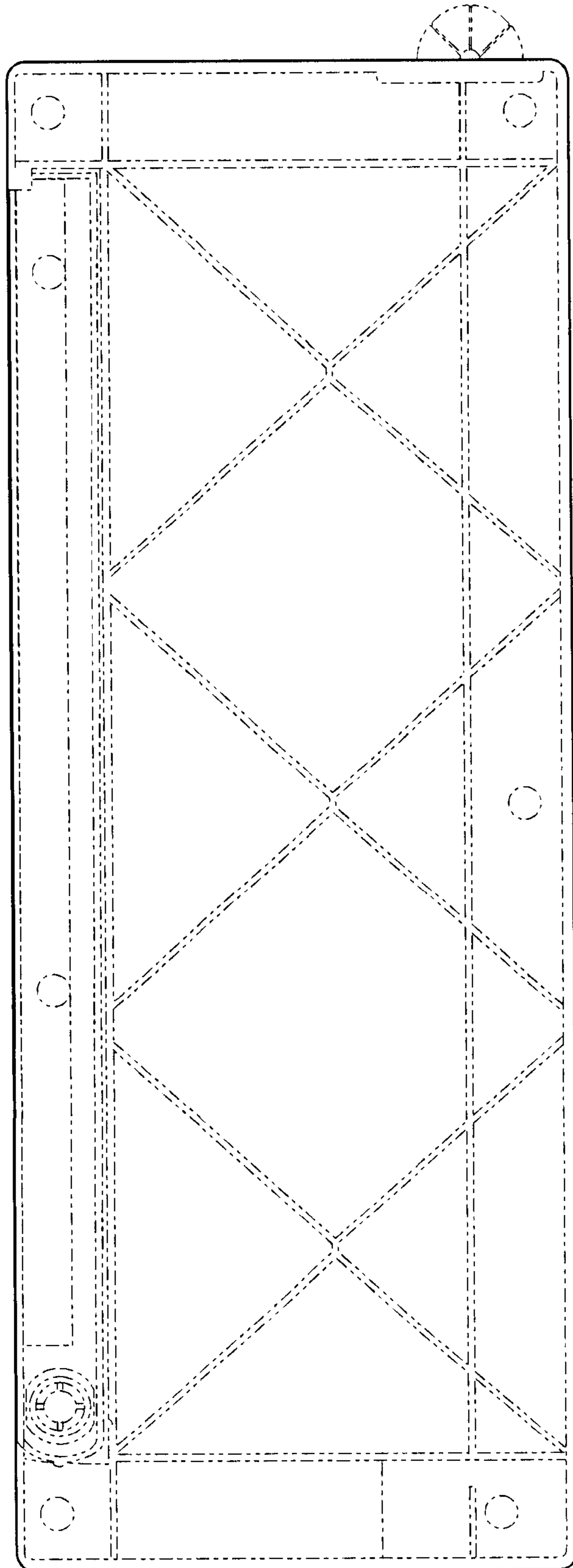


FIG. 3

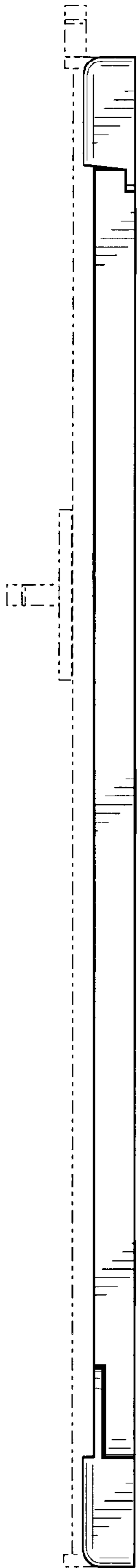


FIG. 4

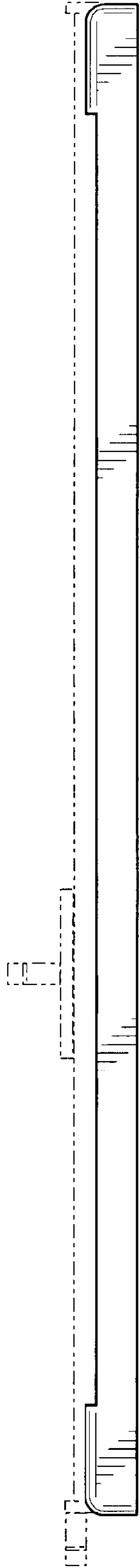


FIG. 5

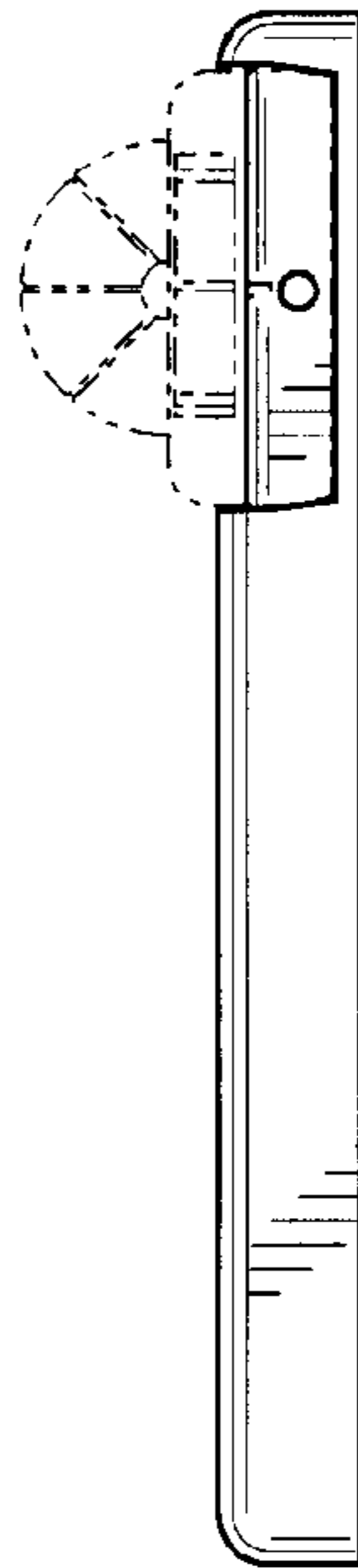


FIG. 6

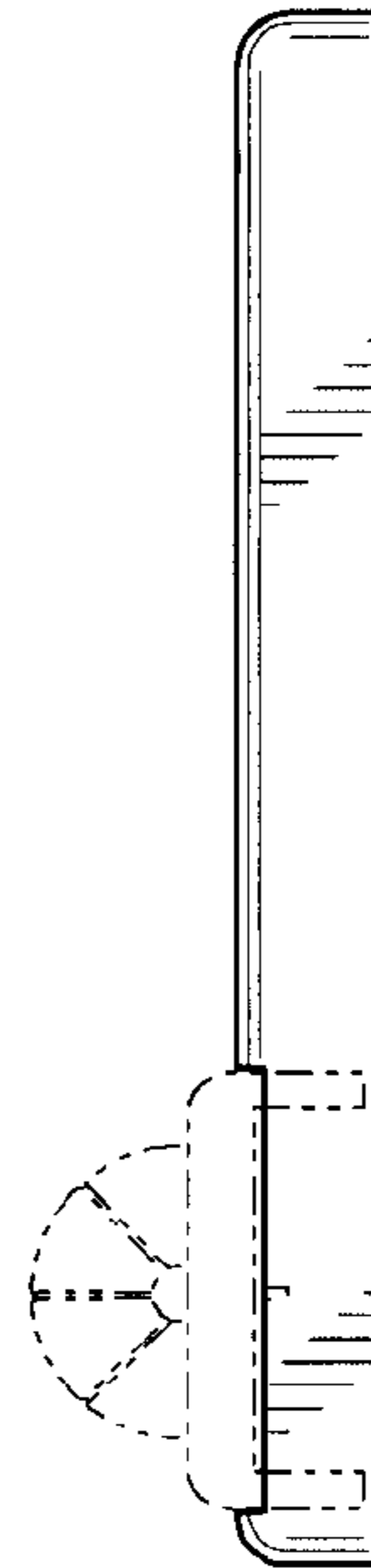


FIG. 7