



US00D536366S

(12) **United States Design Patent**
Bedol et al.

(10) **Patent No.:** **US D536,366 S**

(45) **Date of Patent:** **** Feb. 6, 2007**

(54) **CALCULATOR**

(75) Inventors: **Mark A. Bedol**, P.O. Box 1268,
Claremont, CA (US) 91711; **Dave**
Schultze, Pasadena, CA (US)

(73) Assignee: **Mark A. Bedol**, Claremont, CA (US)

(**) Term: **14 Years**

(21) Appl. No.: **29/233,620**

(22) Filed: **Jul. 7, 2005**

(51) **LOC (8) Cl.** **18-01**

(52) **U.S. Cl.** **D18/7**

(58) **Field of Classification Search** D18/1,
D18/2, 6, 7, 11, 12, 12.1, 12.2, 12.3; D10/2,
D10/3, 65, 70, 78, 104; D14/191, 193, 197,
D14/198, 218, 314, 341-347, 383-388, 391-396,
D14/399; D21/512; 235/58 R, 59 A, 59 BA-59 BG,
235/59 CP, 59 R, 59 TP, 60.22, 61 R; 708/100,
708/105, 130; D19/77-80, 92, 95, 98
See application file for complete search history.

(56) **References Cited**

U.S. PATENT DOCUMENTS

D145,486 S * 8/1946 Lewis D19/77
3,845,614 A * 11/1974 Christ D10/2
D333,159 S * 2/1993 Peersmann D19/78

D334,214 S * 3/1993 Gonzales D18/2
D359,751 S * 6/1995 Yoshida D18/1
D371,570 S * 7/1996 Hong et al. D18/1
D432,506 S * 10/2000 Noguchi et al. D14/346
D432,560 S * 10/2000 Endrulat D18/7
D442,619 S * 5/2001 Fong D18/7
D477,351 S * 7/2003 Hsu D18/7
D483,796 S * 12/2003 Hsu D18/7
D508,071 S * 8/2005 Wang D18/7
2004/0074675 A1 * 4/2004 Miller-Kovach et al. ... 708/130

* cited by examiner

Primary Examiner—Robert M. Spear
Assistant Examiner—Garth Rademaker

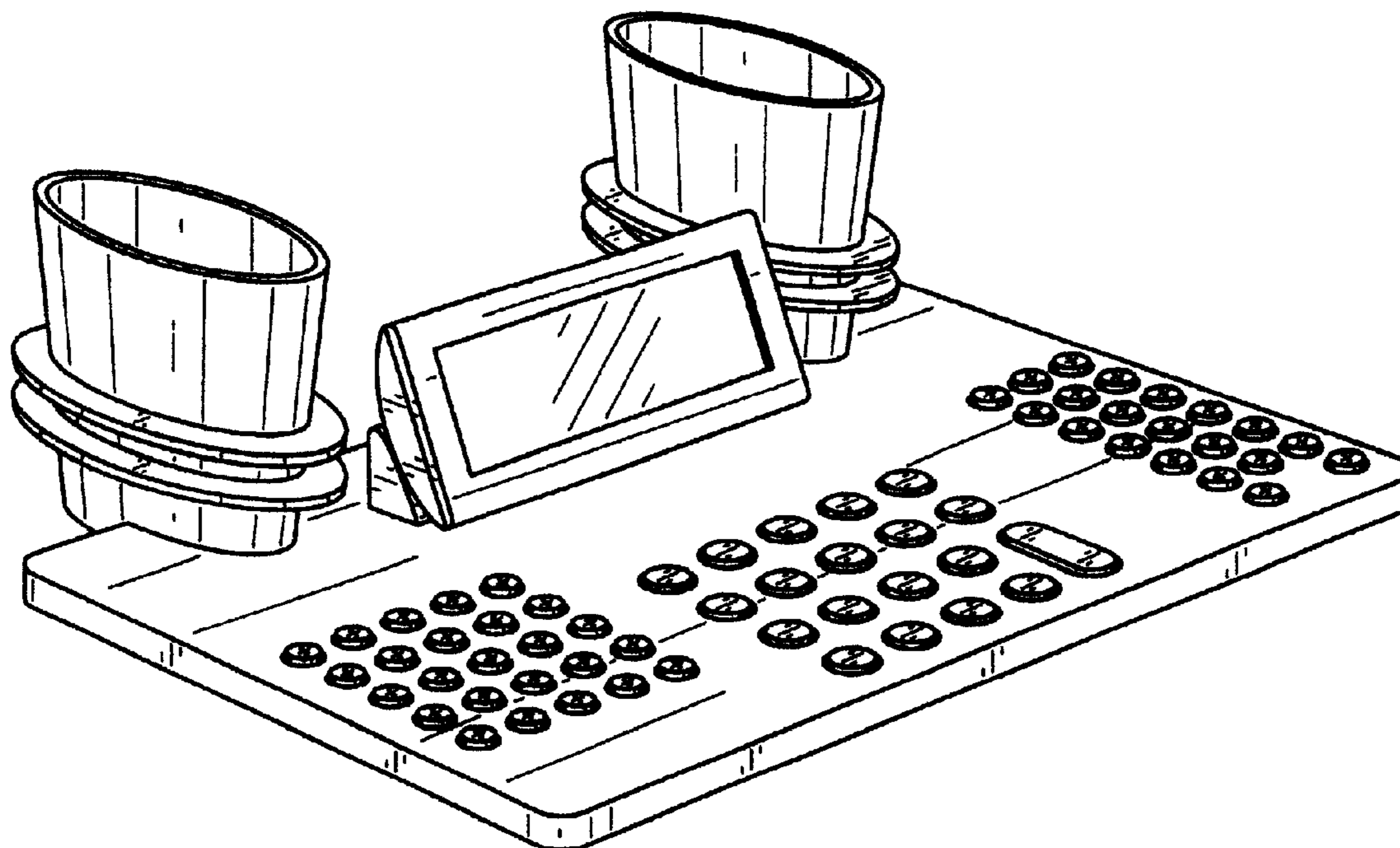
(57) **CLAIM**

The ornamental design for a calculator, as shown and described.

DESCRIPTION

FIG. 1 is a front, right, top perspective view of a calculator, showing our new design;
FIG. 2 is a front elevation view thereof,
FIG. 3 is a rear elevation view thereof,
FIG. 4 is a left side view thereof,
FIG. 5 is a right side view thereof,
FIG. 6 is a top plan view thereof; and
FIG. 7 is a bottom plan view thereof.

1 Claim, 7 Drawing Sheets



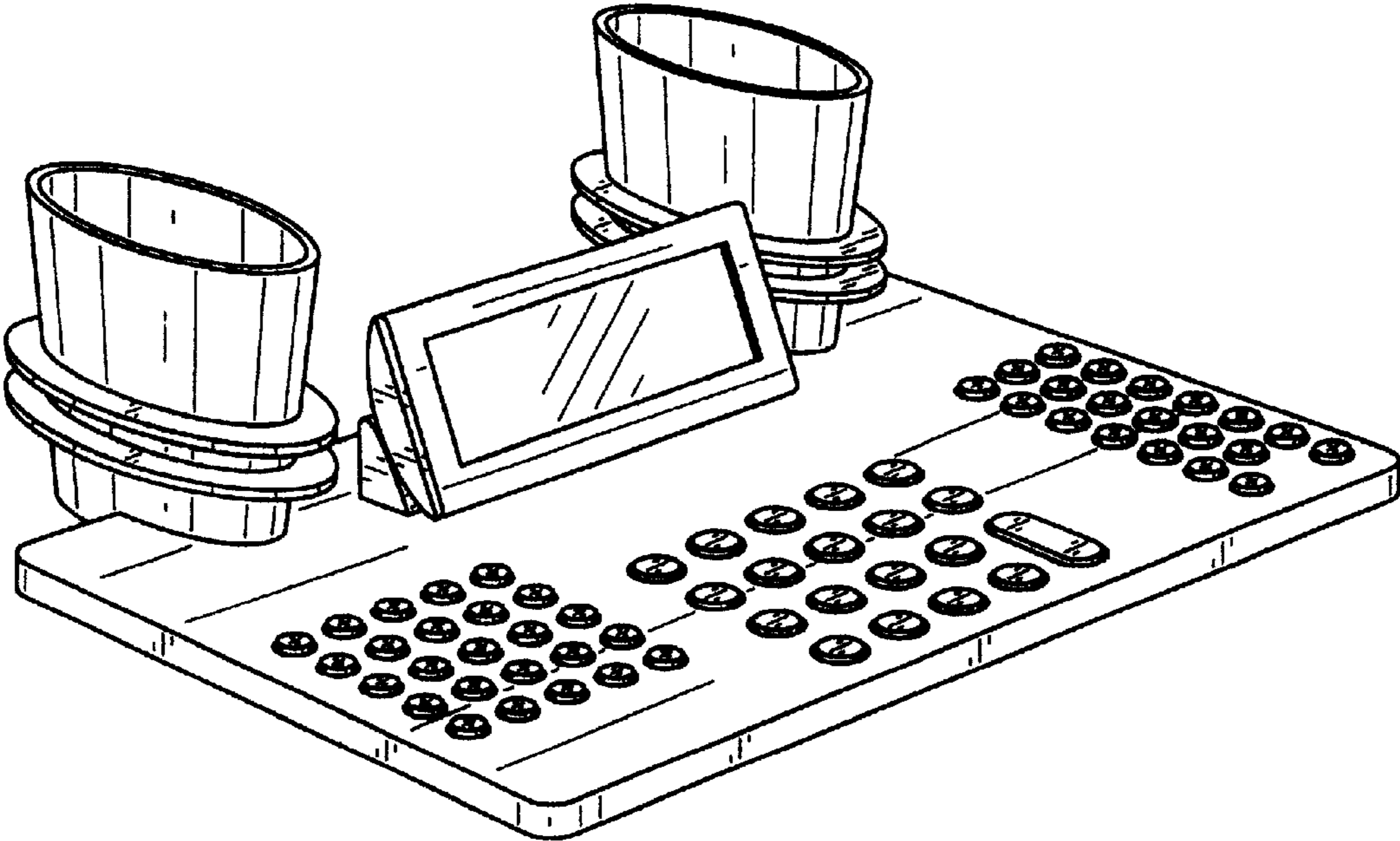


FIG. 1

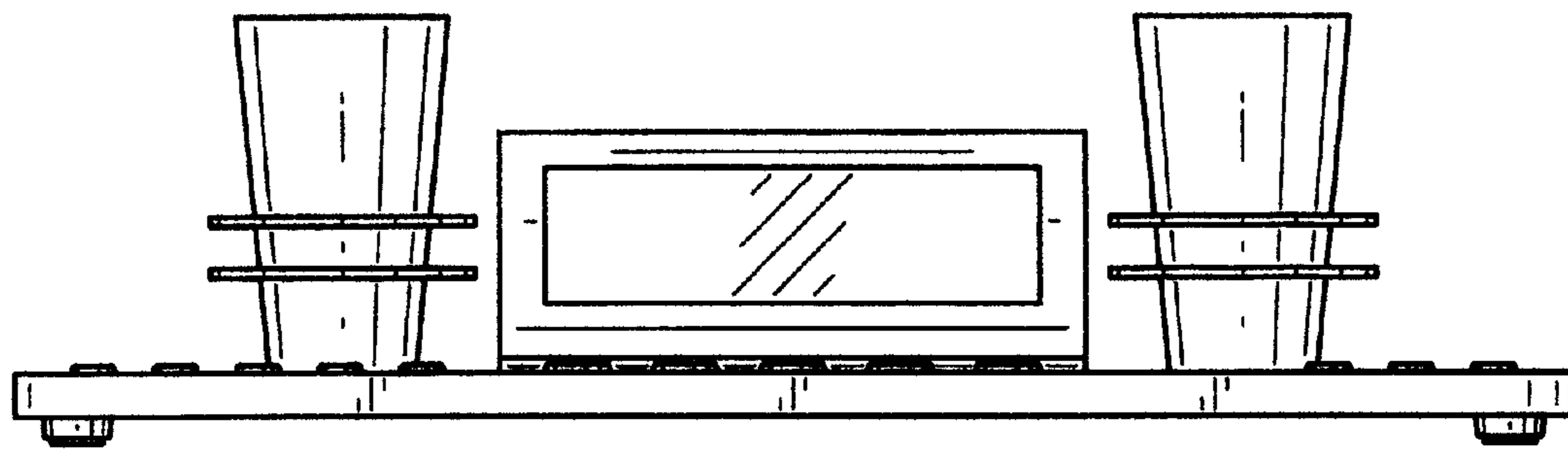


FIG. 2

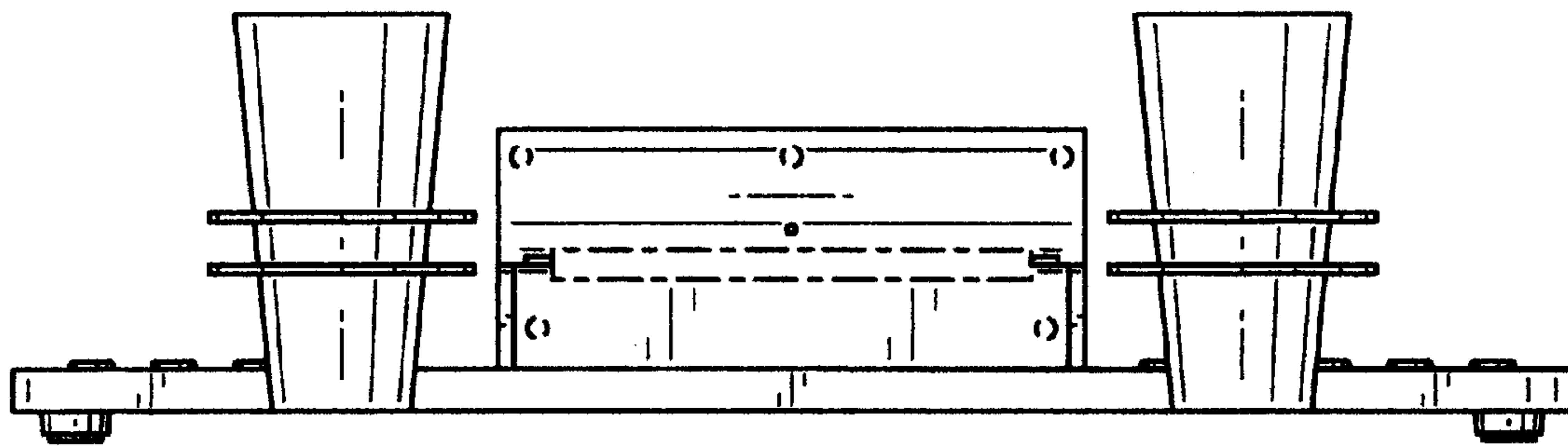


FIG. 3

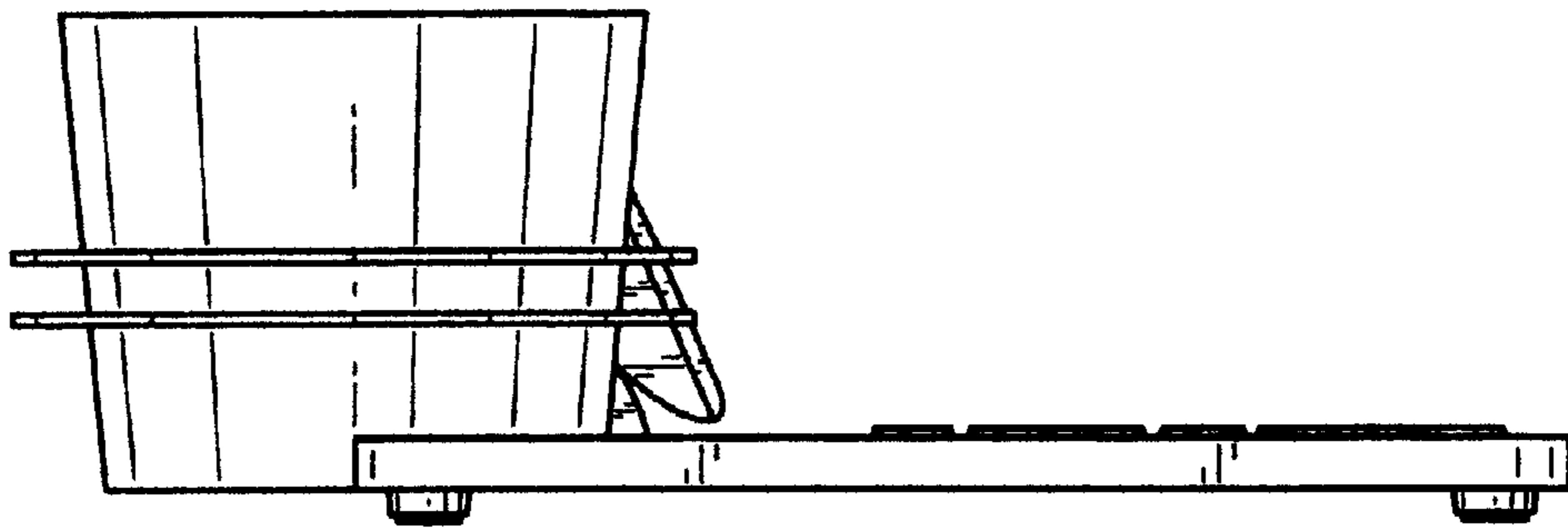


FIG. 4

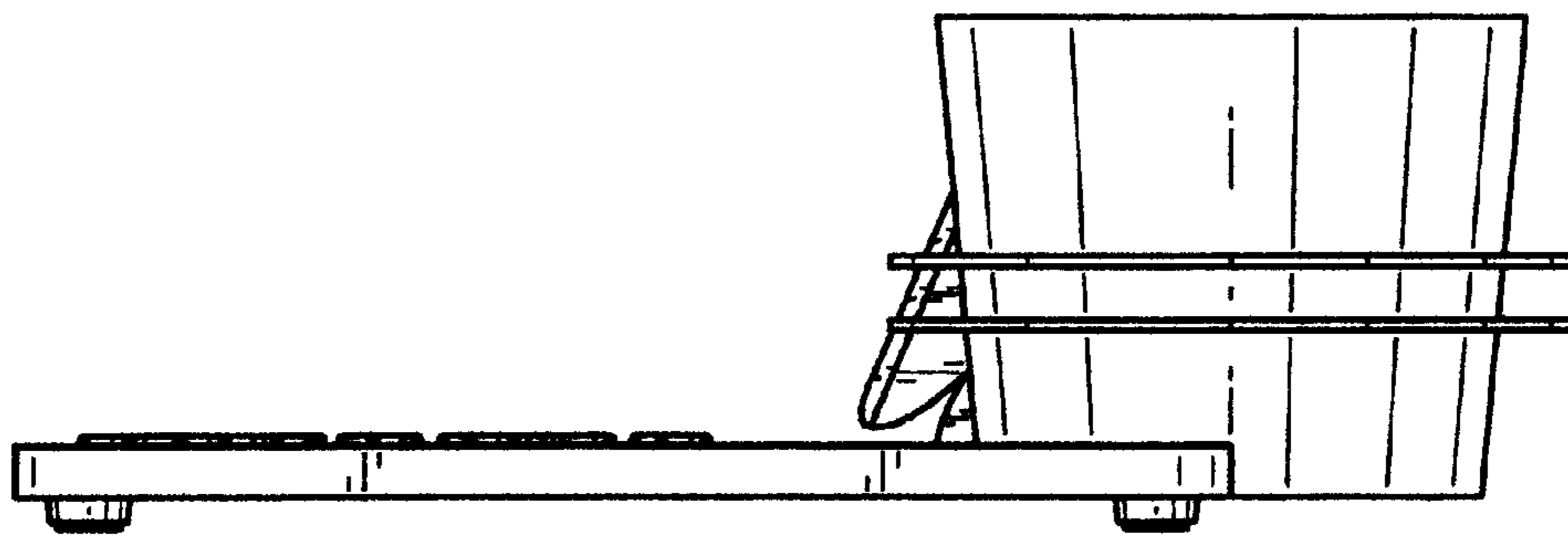


FIG. 5

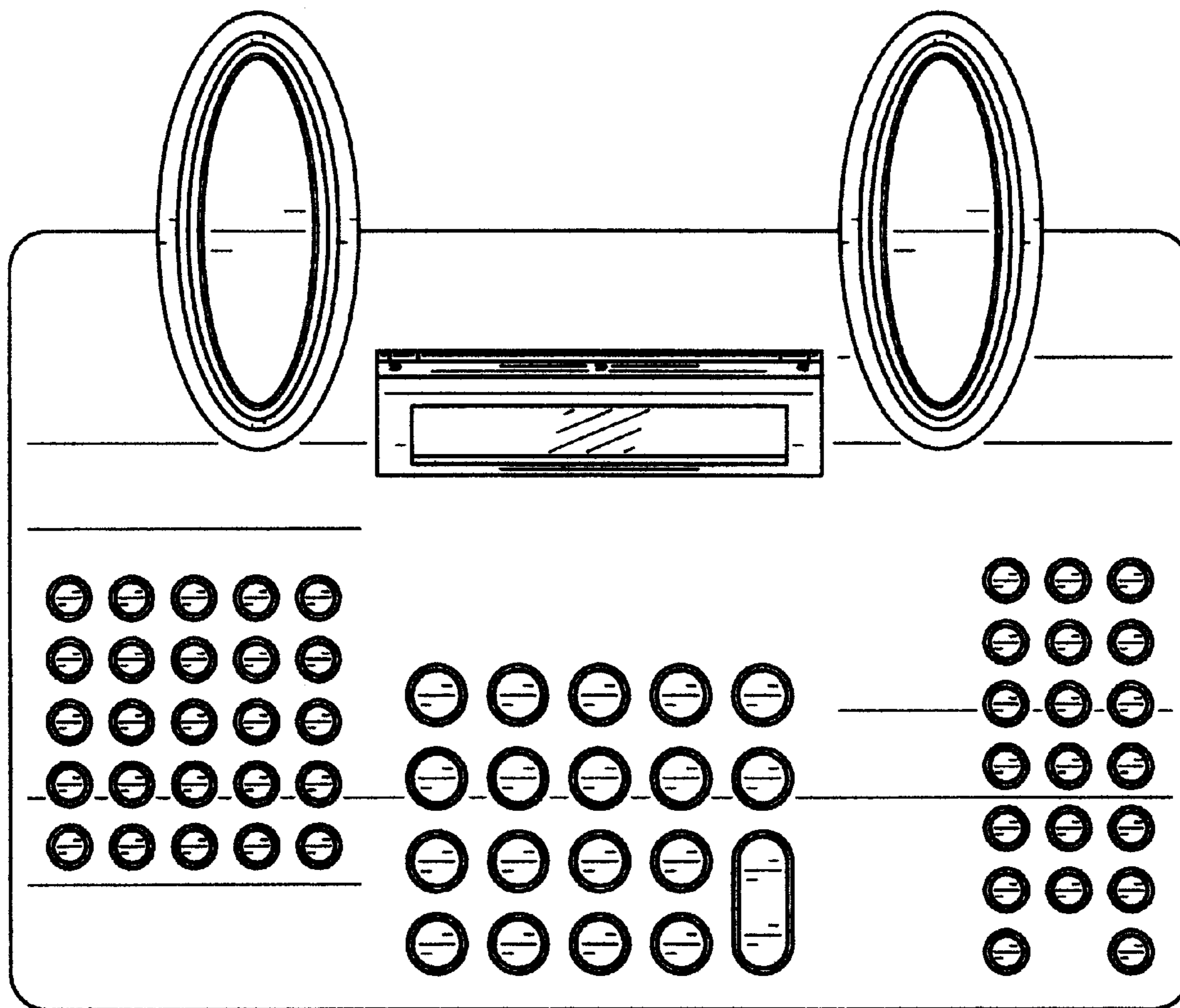


FIG. 6

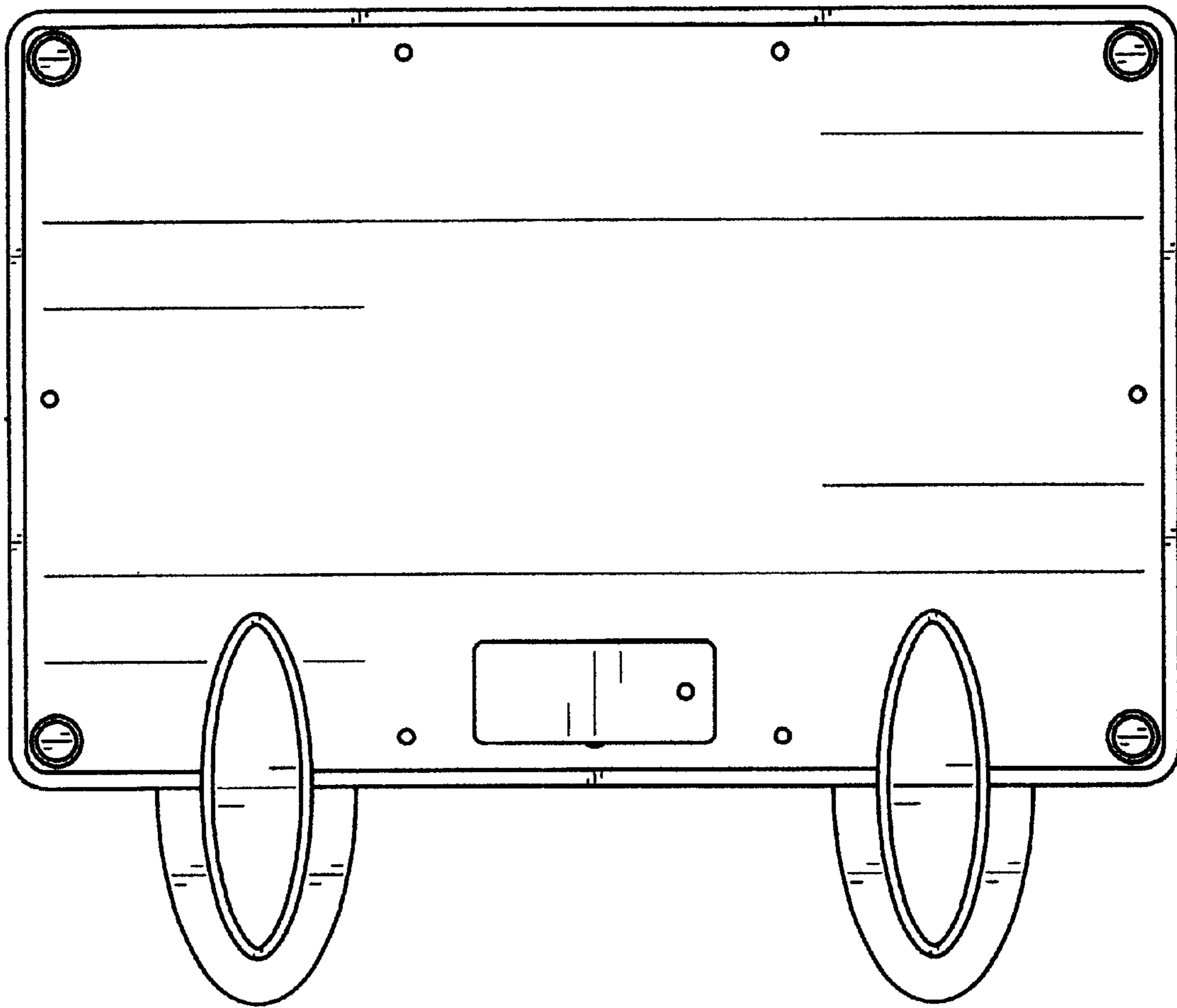


FIG. 7