

US00D536360S

(12) **United States Design Patent**
Dayan

(10) **Patent No.:** **US D536,360 S**

(45) **Date of Patent:** **** Feb. 6, 2007**

(54) **VIDEO MONITOR AND STAND**

(75) Inventor: **Maurice S. Dayan**, Oakhurst, NJ (US)

(73) Assignee: **Intellectual Solutions, Inc.**

(**) Term: **14 Years**

(21) Appl. No.: **29/252,239**

(22) Filed: **Jan. 20, 2006**

(51) **LOC (8) Cl.** **16-05**

(52) **U.S. Cl.** **D16/242; D16/237; D14/126**

(58) **Field of Classification Search** D14/126,
D14/129, 334, 336; D16/200-204, 208, 211,
D16/218, 219, 237, 242; 248/176.1, 917,
248/918; 340/436; 348/118, 148, 152; 396/419,
396/429, 535, 540, 541

See application file for complete search history.

(56) **References Cited**

U.S. PATENT DOCUMENTS

5,574,443	A	*	11/1996	Hsieh	348/118
5,947,440	A	*	9/1999	Cho	248/917
6,175,300	B1	*	1/2001	Kendrick	340/436
D454,146	S	*	3/2002	Mori	D16/211
D474,737	S	*	5/2003	Yoshida	D16/219
D485,234	S	*	1/2004	Katayama	D16/237
D510,919	S	*	10/2005	Kubota et al.	D14/126

* cited by examiner

Primary Examiner—Adir Aronovich

(74) *Attorney, Agent, or Firm*—Wolf, Block, Schorr and Solis-Cohen LLP

(57) **CLAIM**

The ornamental design for a video monitor and stand, as shown and described.

DESCRIPTION

FIG. 1 is a front perspective view of a video monitor and stand showing my design.

FIG. 2 is a bottom perspective view of the video monitor and stand of FIG. 1.

FIG. 3 is a front view of the video monitor and stand of FIG. 1.

FIG. 4 is a rear view of the video monitor and stand of FIG. 1.

FIG. 5 is a right side view of the video monitor and stand of FIG. 1.

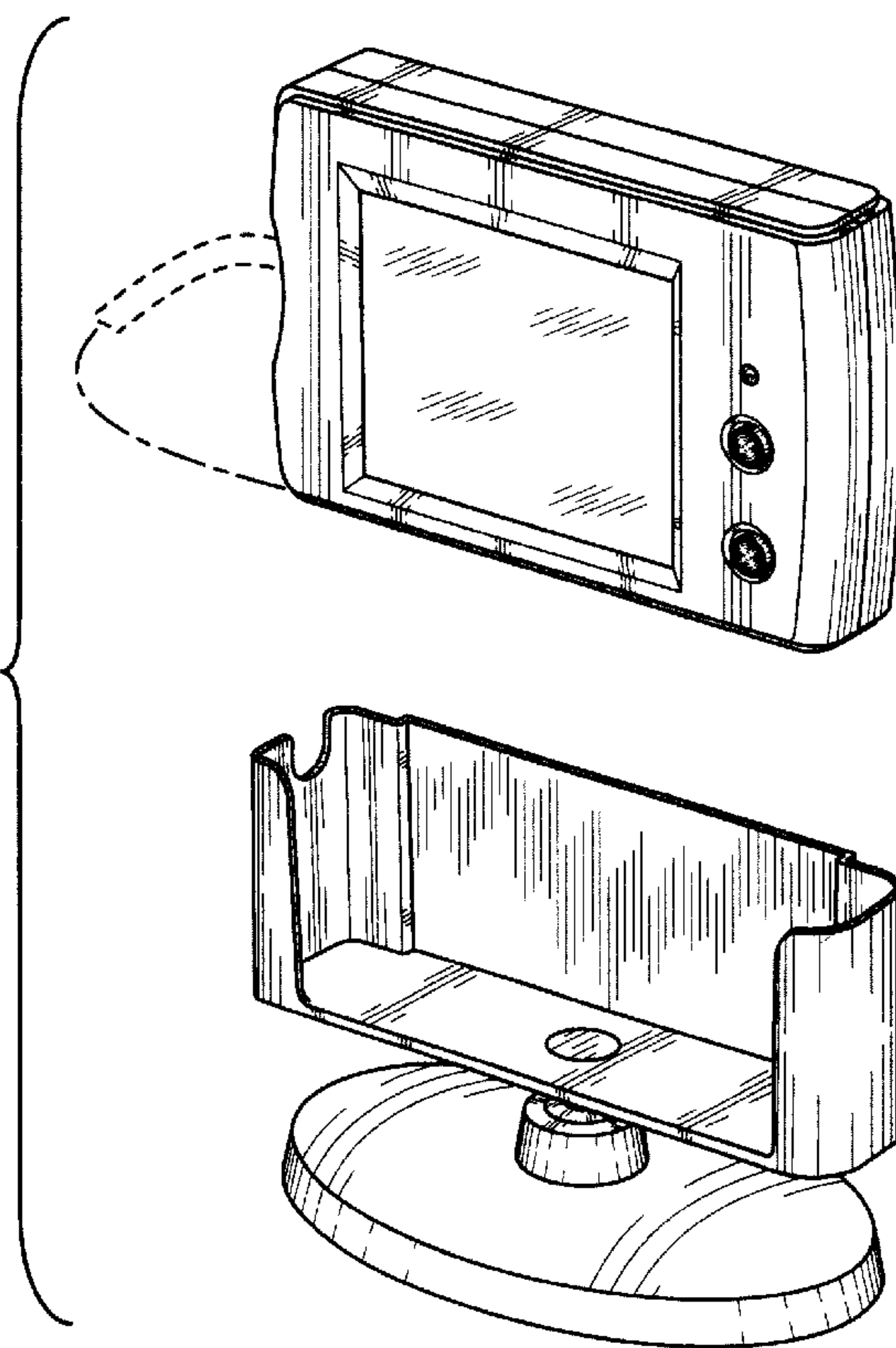
FIG. 6 is a left side view of the video monitor and stand of FIG. 1.

FIG. 7 is a top view of the video monitor and stand of FIG. 1; and,

FIG. 8 is a bottom view of the video monitor and stand of FIG. 1.

The broken line showing of a fragmentary cord is for illustrative purposes only and forms no part of the claimed design.

1 Claim, 8 Drawing Sheets



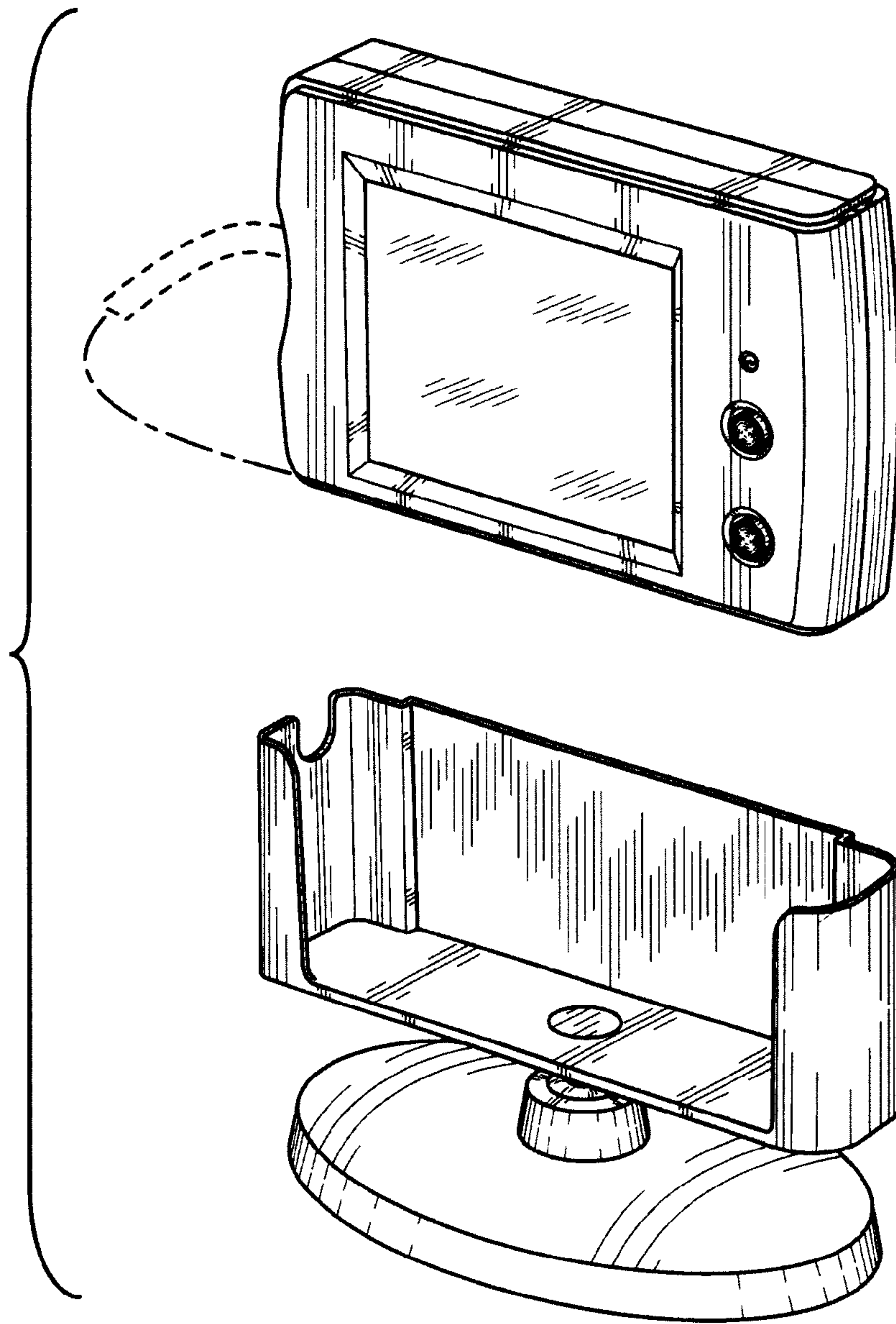


FIG. 1

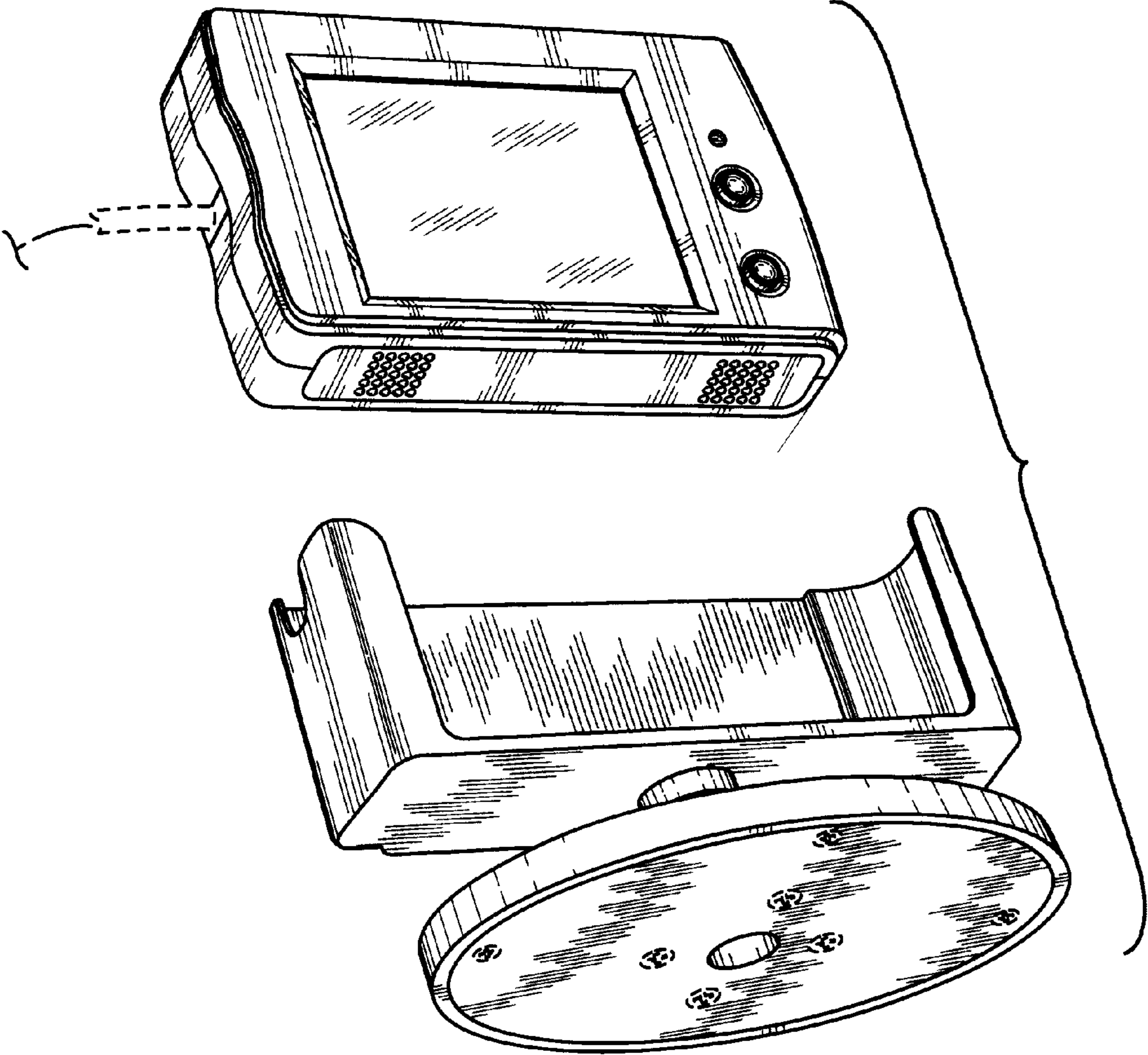


FIG. 2

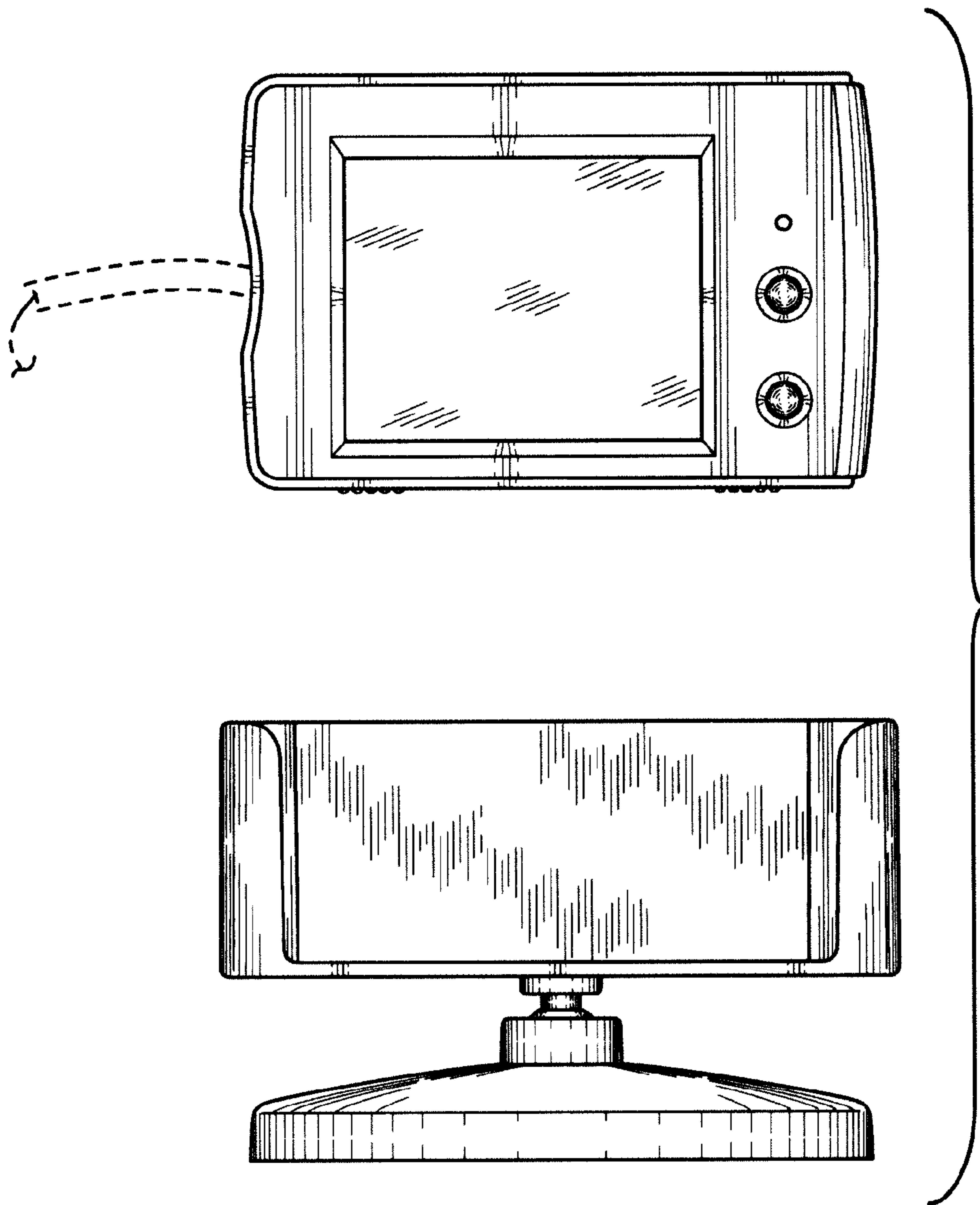


FIG. 3

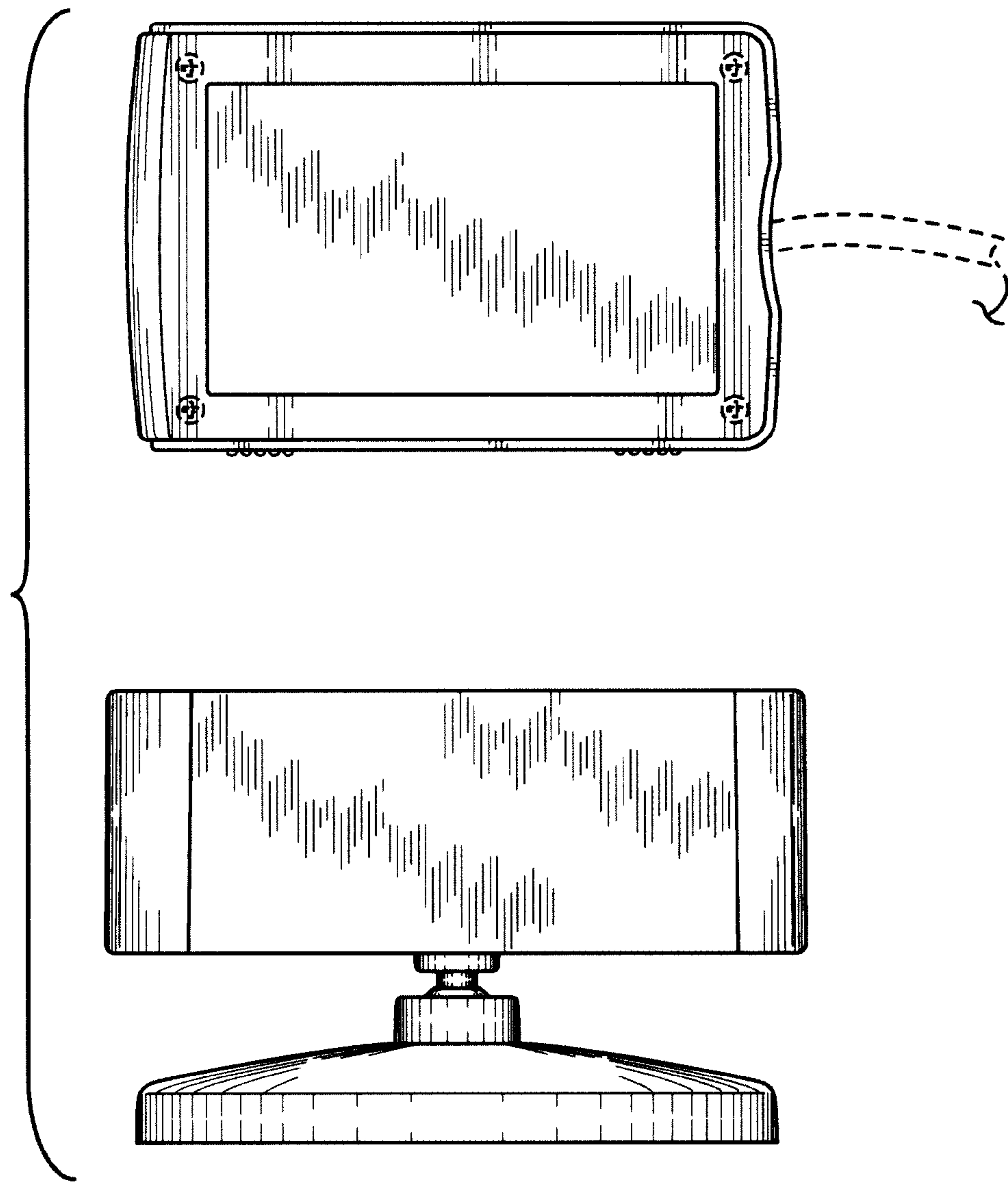


FIG. 4

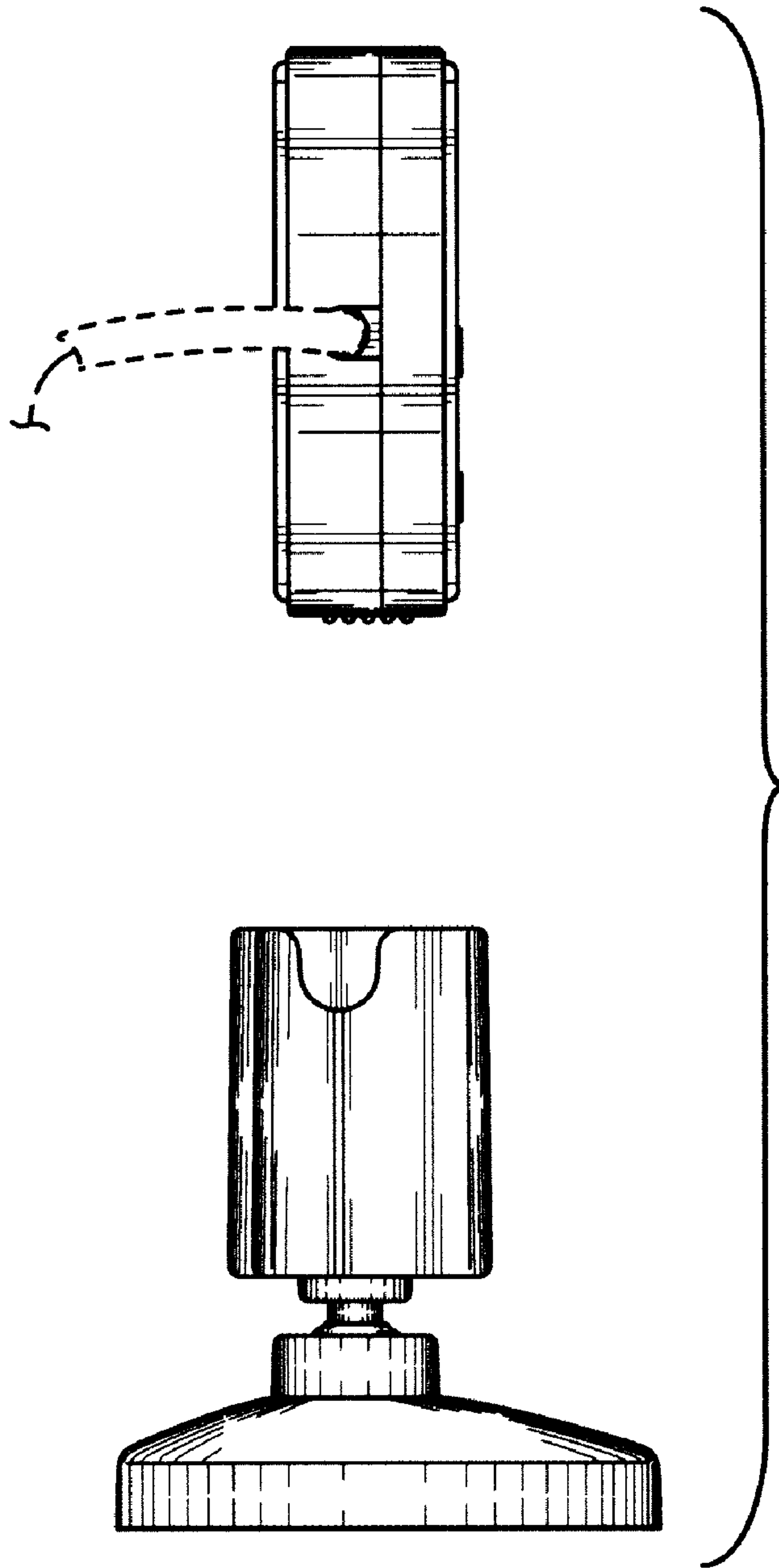


FIG. 5

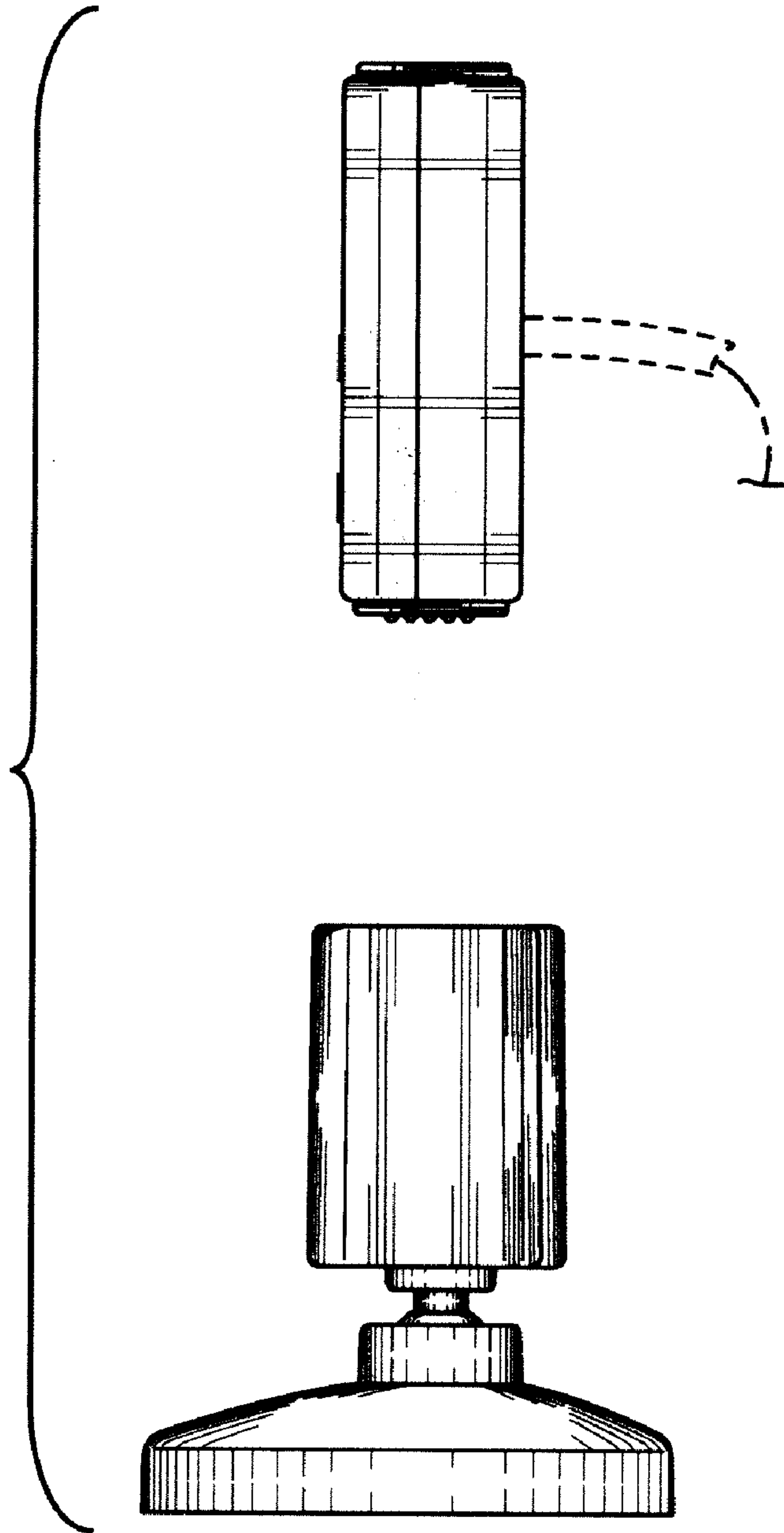


FIG. 6

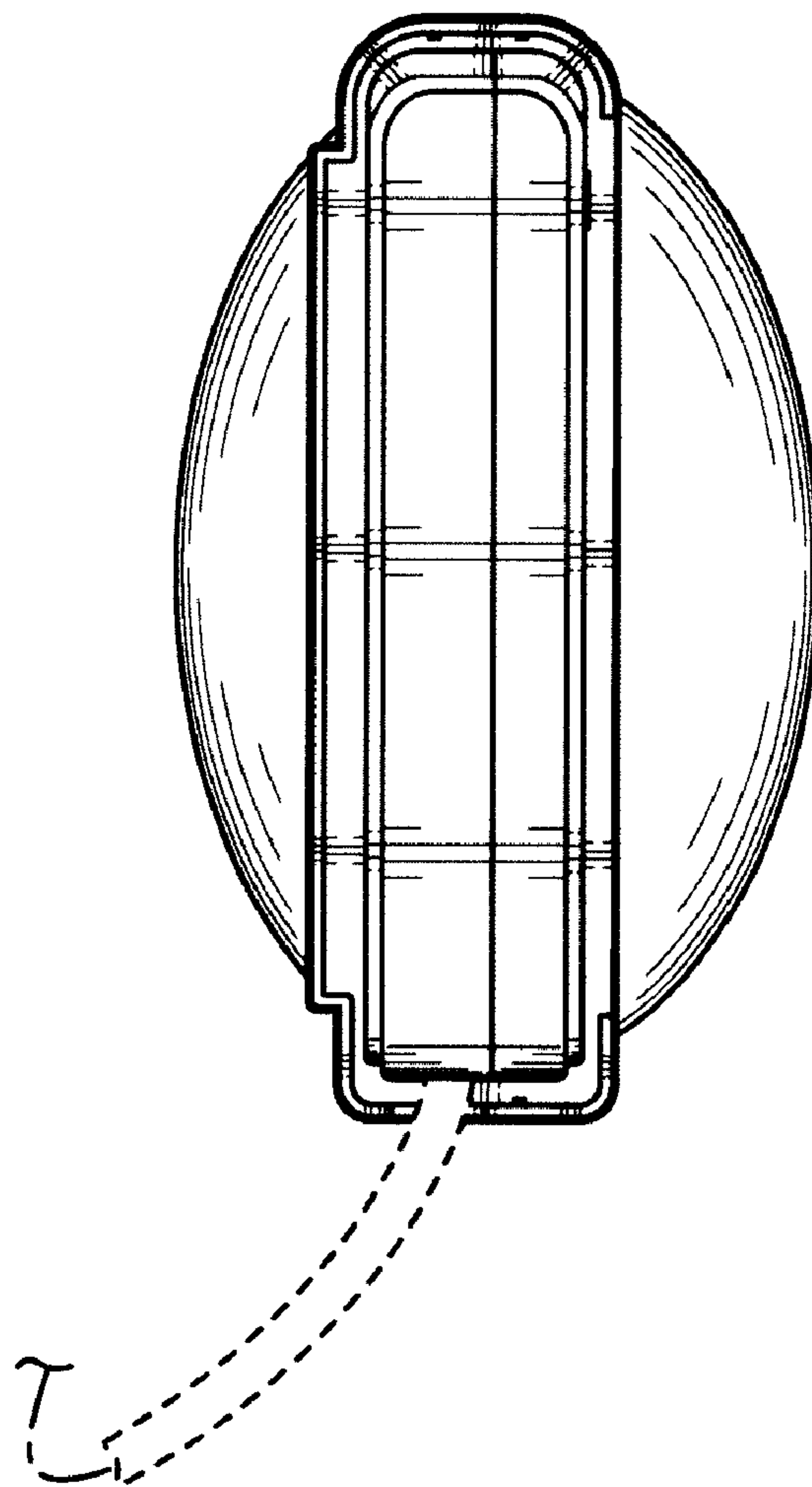


FIG. 7

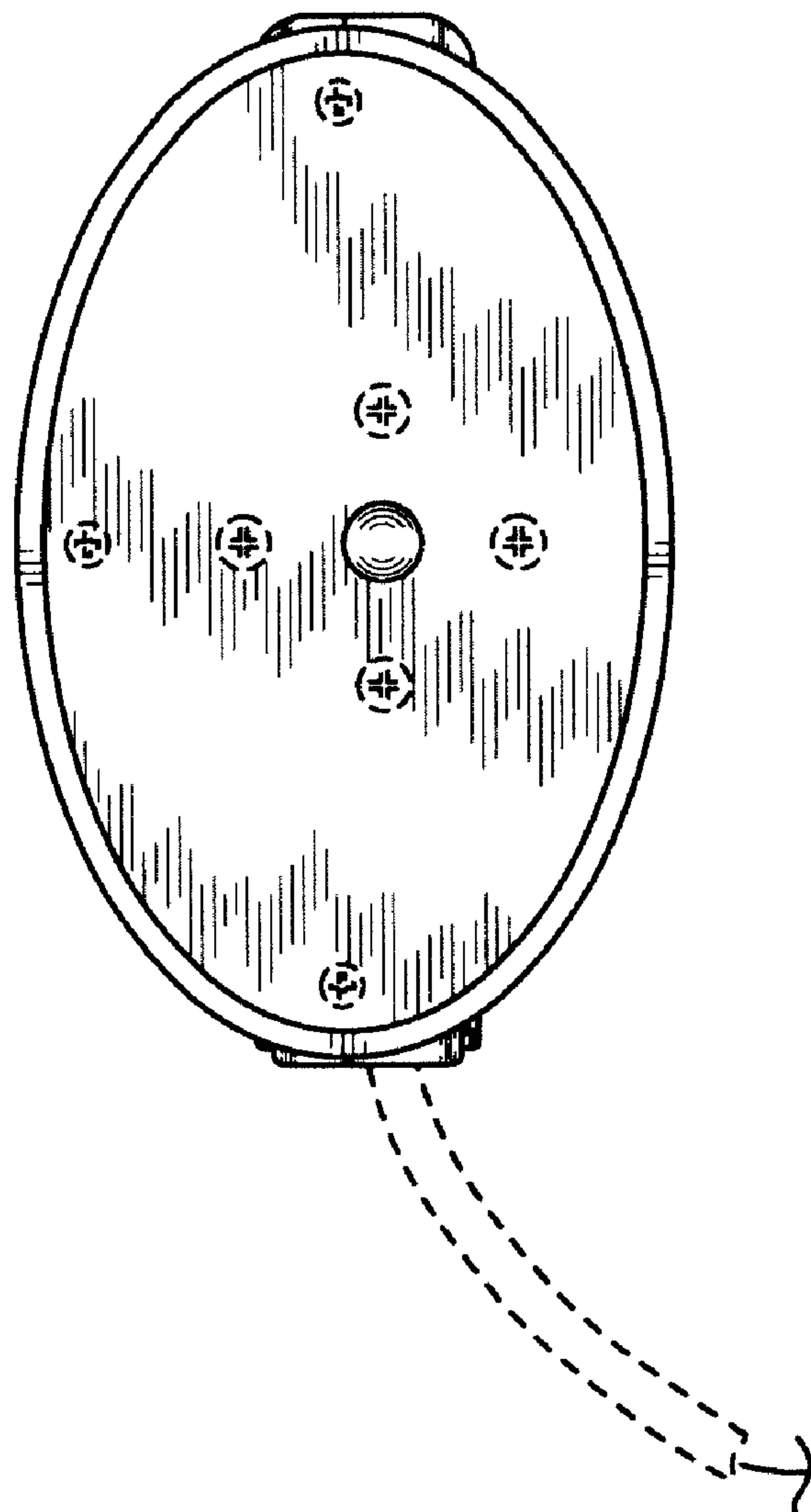


FIG. 8