

US00D536359S

(12) **United States Design Patent** (10) **Patent No.:** **US D536,359 S**
Salvatori et al. (45) **Date of Patent:** **** Feb. 6, 2007**

(54) **PROJECTION DEVICE**

(75) Inventors: **Phillip H. Salvatori**, Salem, OR (US);
Danny Han, Tigard, OR (US); **Richard C. Schoenert**, Sherwood, OR (US)

(73) Assignee: **InFocus Corporation**, Wilsonville, OR (US)

(**) Term: **14 Years**

(21) Appl. No.: **29/255,609**

(22) Filed: **Mar. 10, 2006**

Related U.S. Application Data

(62) Division of application No. 29/182,916, filed on Jun. 2, 2003, now Pat. No. Des. 520,551.

(51) **LOC (8) Cl.** **16-02**

(52) **U.S. Cl.** **D16/230**

(58) **Field of Classification Search** D16/205,
D16/208, 221, 225, 229, 230, 231, 234; D21/514;
353/115, 119, 122

See application file for complete search history.

(56) **References Cited**

U.S. PATENT DOCUMENTS

D350,147 S	8/1994	Takao
D387,795 S	12/1997	Sakamoto
D389,503 S	1/1998	Shimiuz et al.
D443,630 S	6/2001	Salvatori
D449,060 S	10/2001	Saeki et al.
D450,076 S	11/2001	Fujimaki
D464,074 S	10/2002	Miyazaki
6,488,380 B1	12/2002	Fujimori
6,491,399 B1	12/2002	Fujimori

D470,525 S	2/2003	Nakayama et al.
D472,570 S	4/2003	Takahashi
6,547,396 B1	4/2003	Svardal et al.
D475,389 S	6/2003	Kurokawa
D477,833 S	7/2003	Kurokawa et al.
D480,410 S	* 10/2003	Morishita et al. D16/230
6,683,654 B1	1/2004	Haijima
D491,973 S	* 6/2004	Morishita et al. D16/230
D492,338 S	* 6/2004	Ooshima D16/230
D504,453 S	* 4/2005	Junsi et al. D16/230
7,061,699 B1	* 6/2006	Watanabe et al. 353/119
2002/0140909 A1	10/2002	Tanaka

* cited by examiner

Primary Examiner—Adir Aronovich

(74) *Attorney, Agent, or Firm*—Alleman Hall McCoy Russell & Tuttle LLP

(57) **CLAIM**

The ornamental design for a projection device, as shown and described.

DESCRIPTION

FIG. 1 is a front perspective view of a projection device according to the present invention.

FIG. 2 is a rear perspective view of FIG. 1.

FIG. 3 is a top view of FIG. 1.

FIG. 4 is a bottom view of FIG. 1.

FIG. 5 is a front view of FIG. 1.

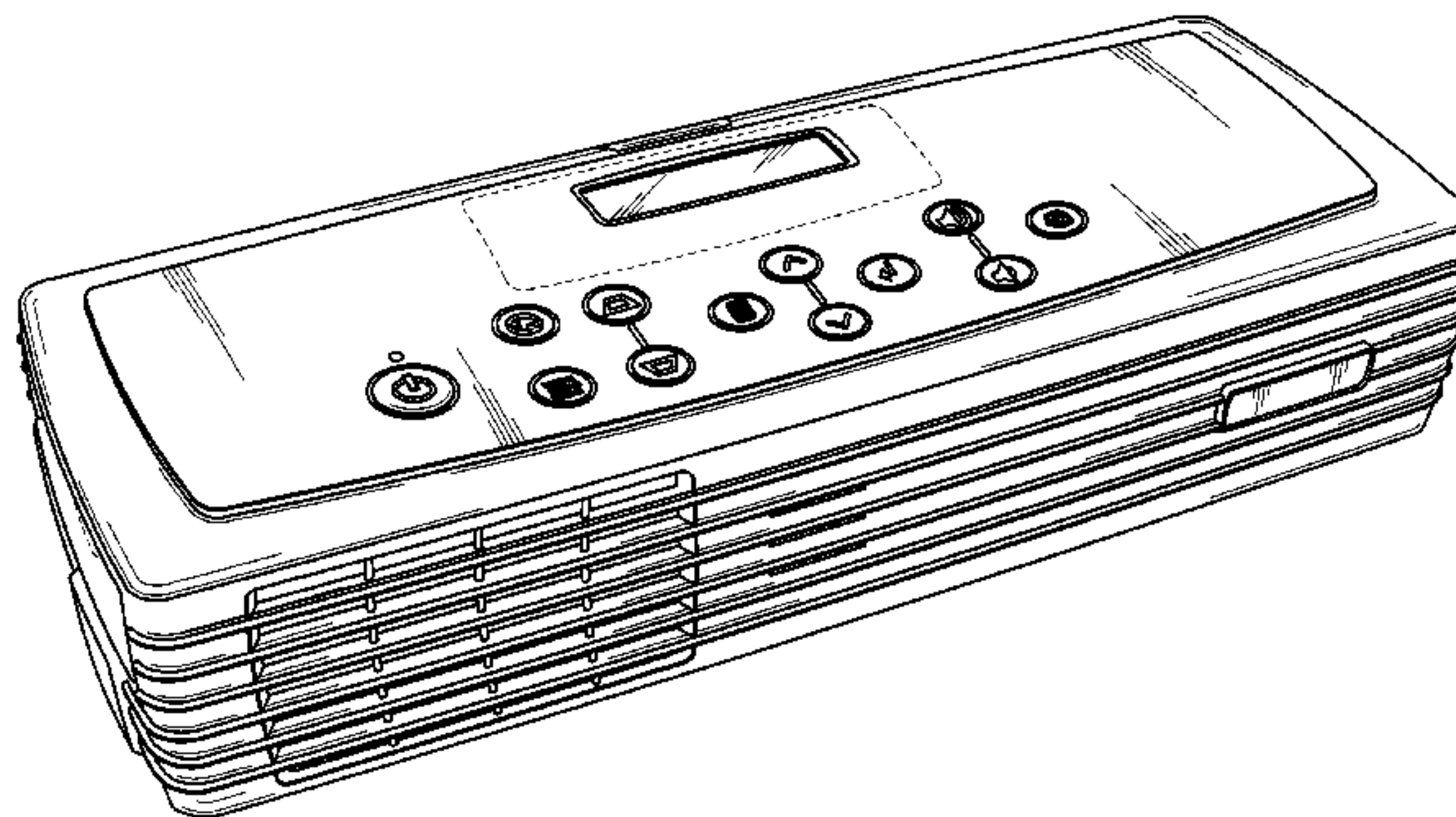
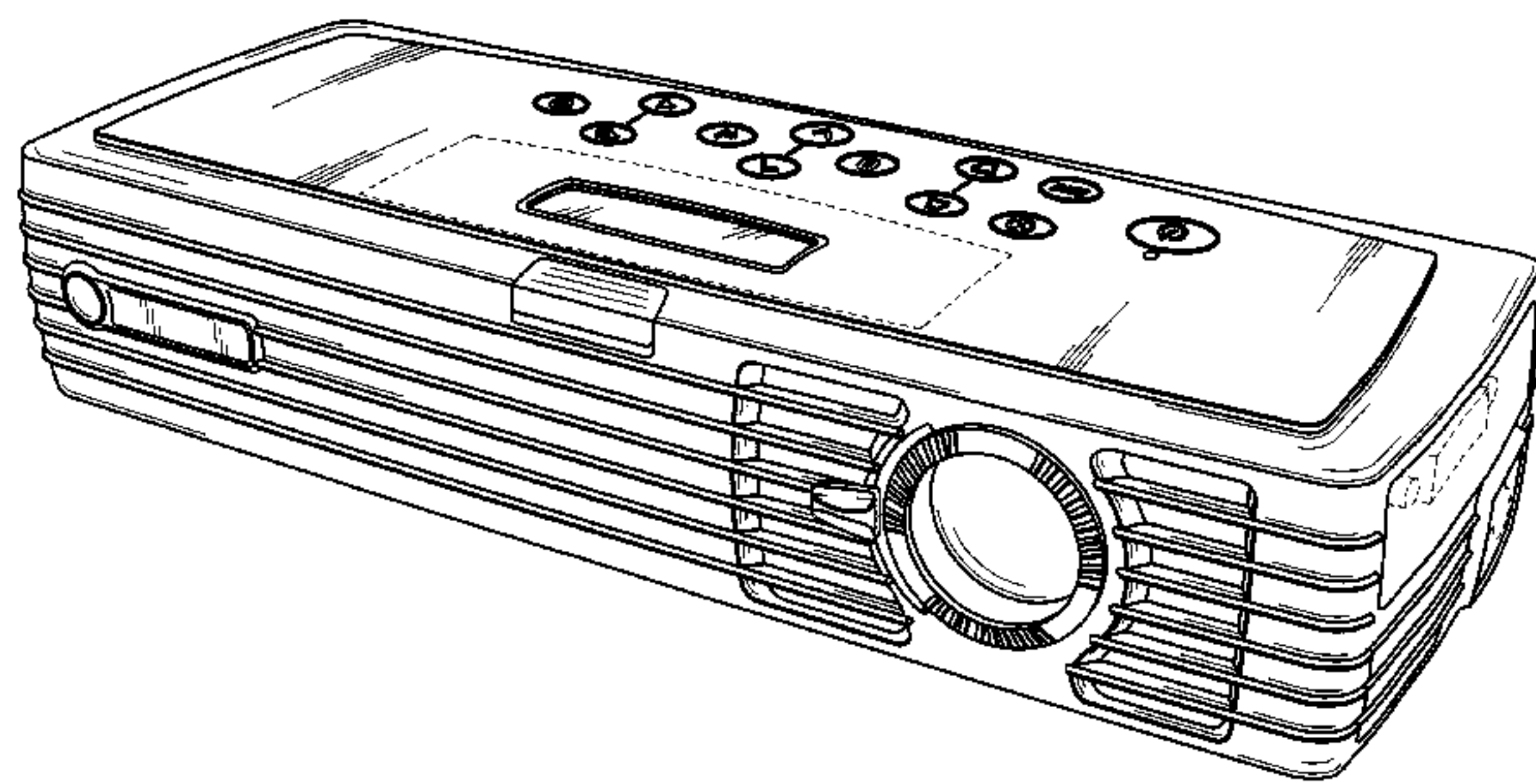
FIG. 6 is a rear view of FIG. 1.

FIG. 7 is a left side view of FIG. 1; and,

FIG. 8 is a right side view of FIG. 1.

The portions of the projection device in broken lines are shown for illustrative purposes only and form no part of the claimed design.

1 Claim, 6 Drawing Sheets



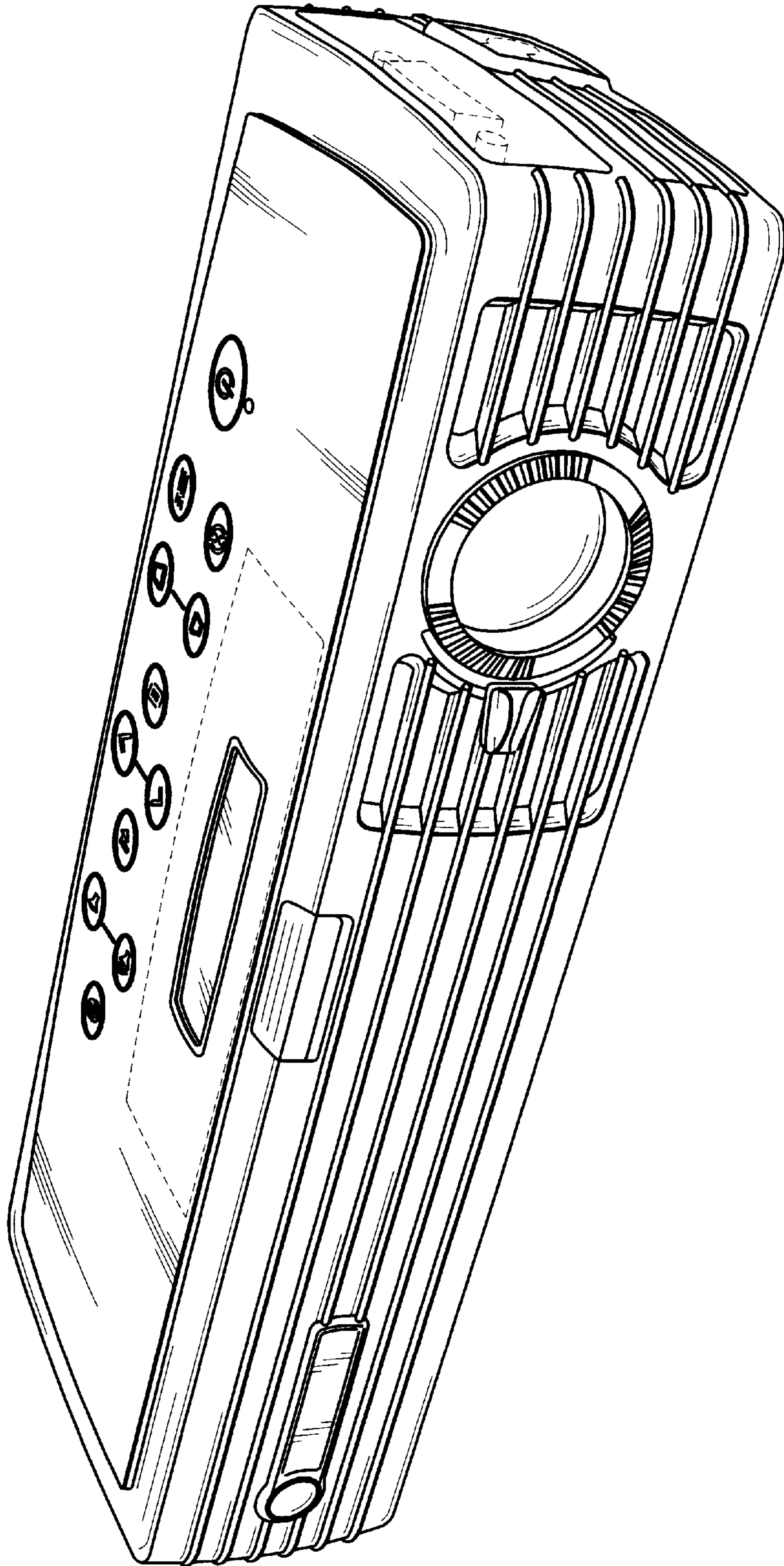


FIG. 1

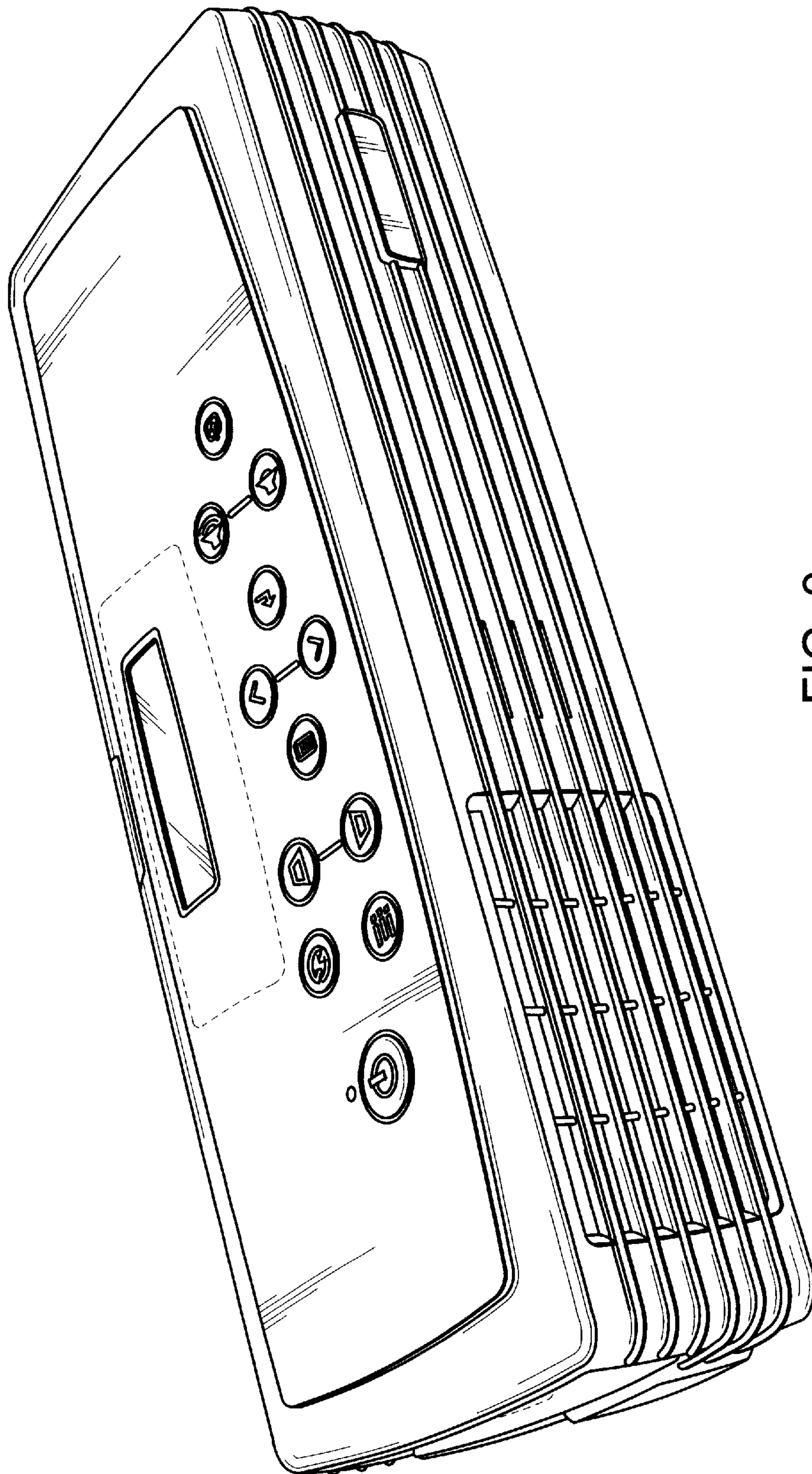


FIG. 2

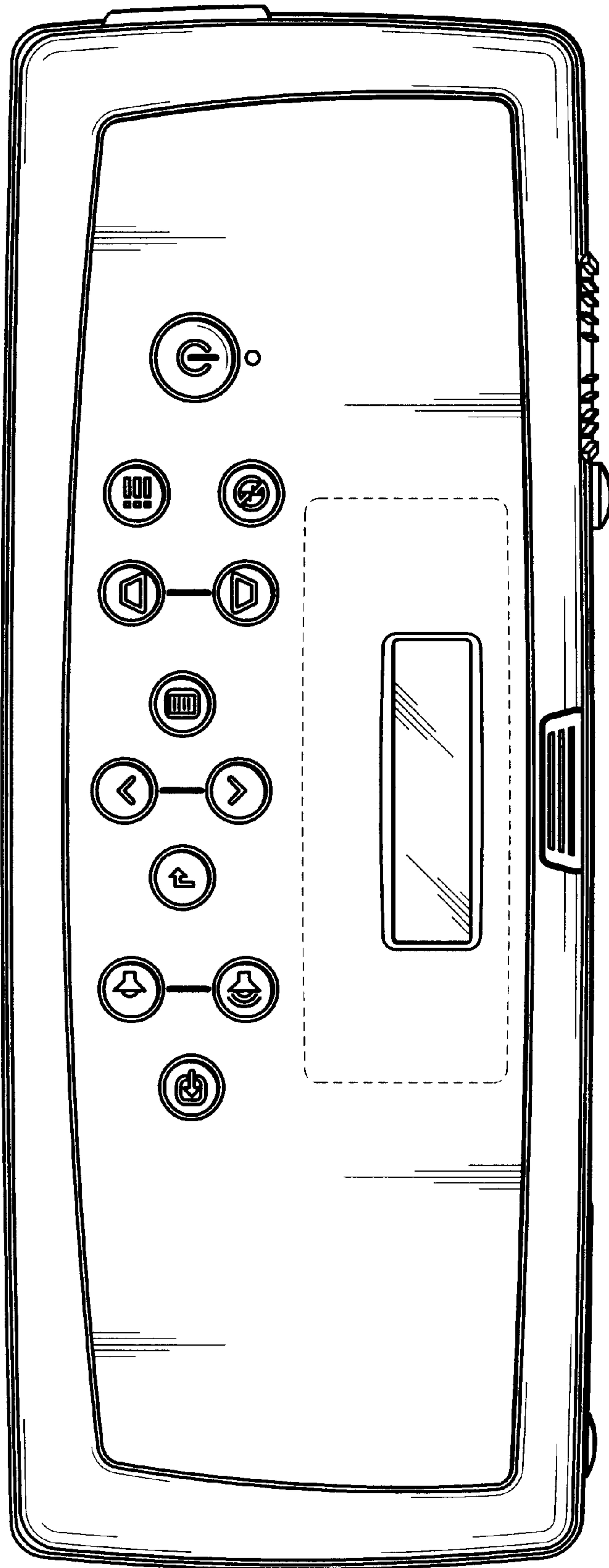


FIG. 3

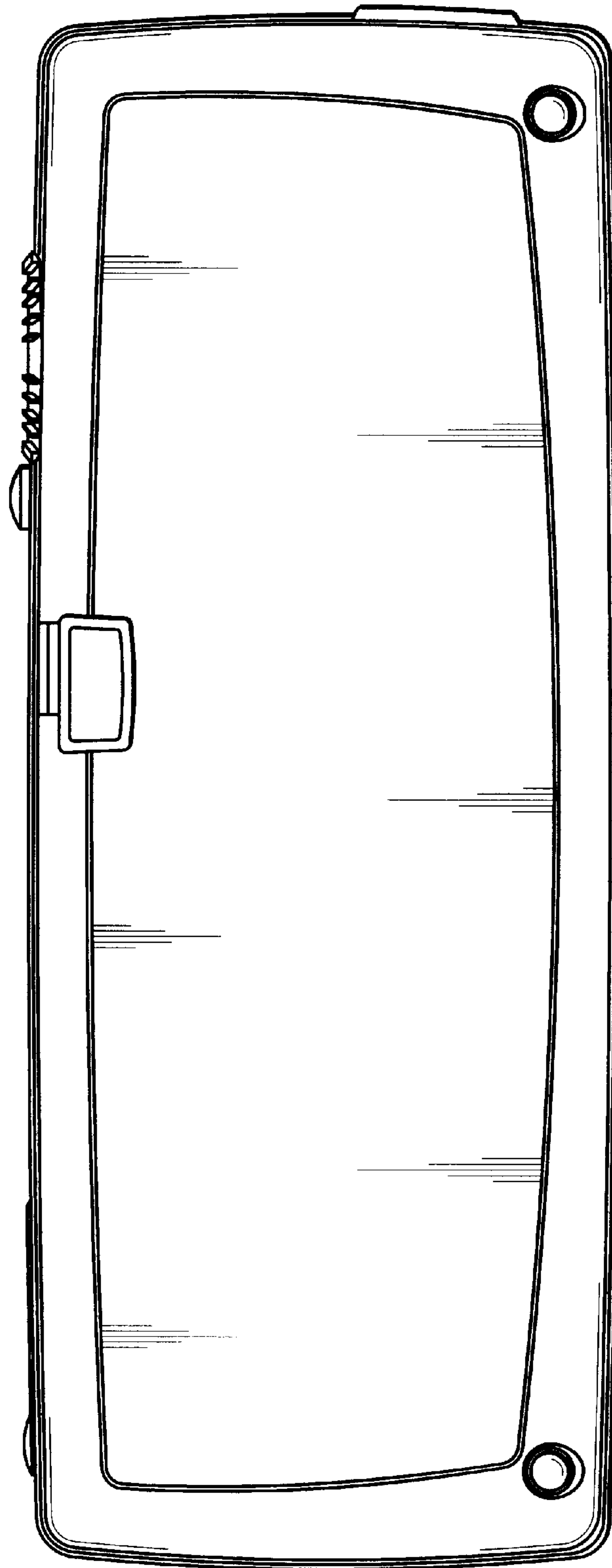


FIG. 4

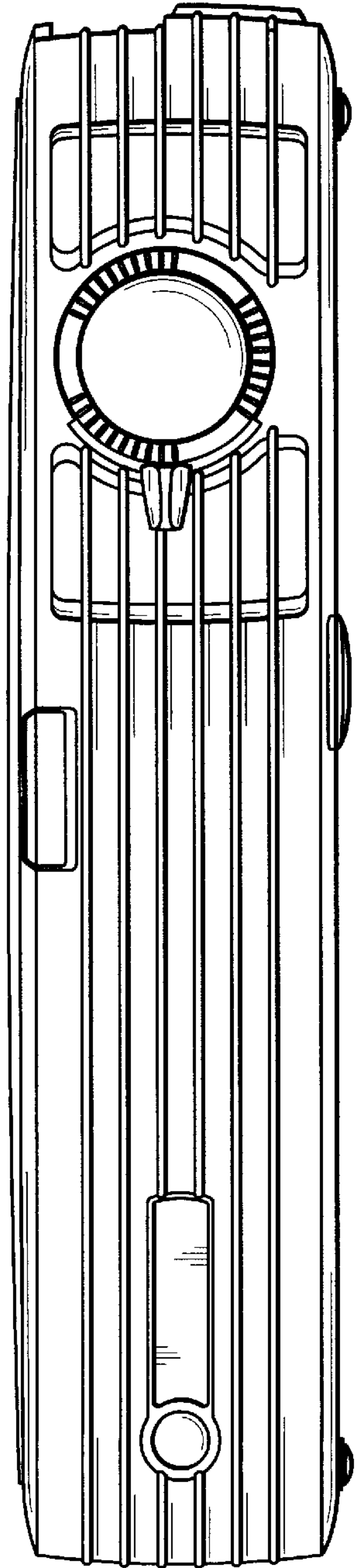


FIG. 5

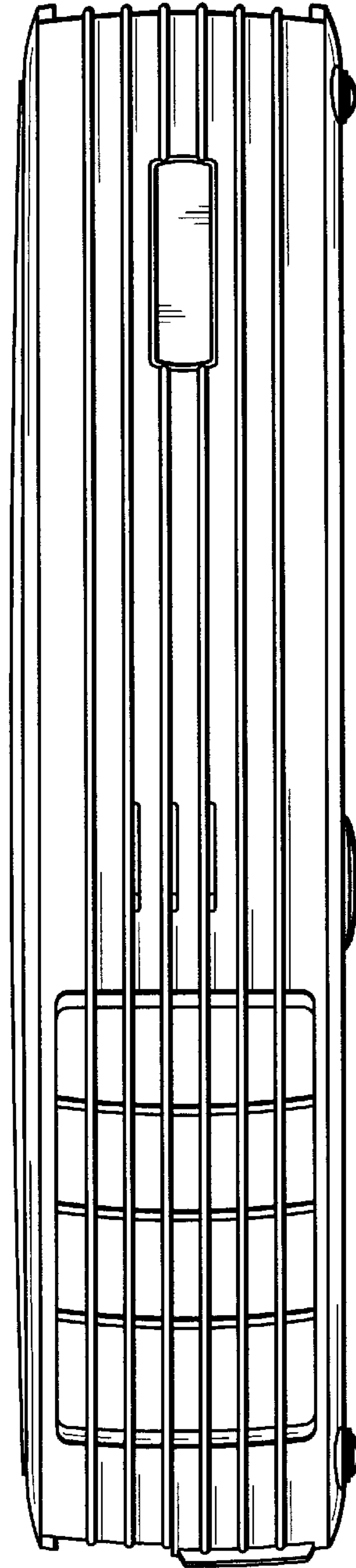


FIG. 6

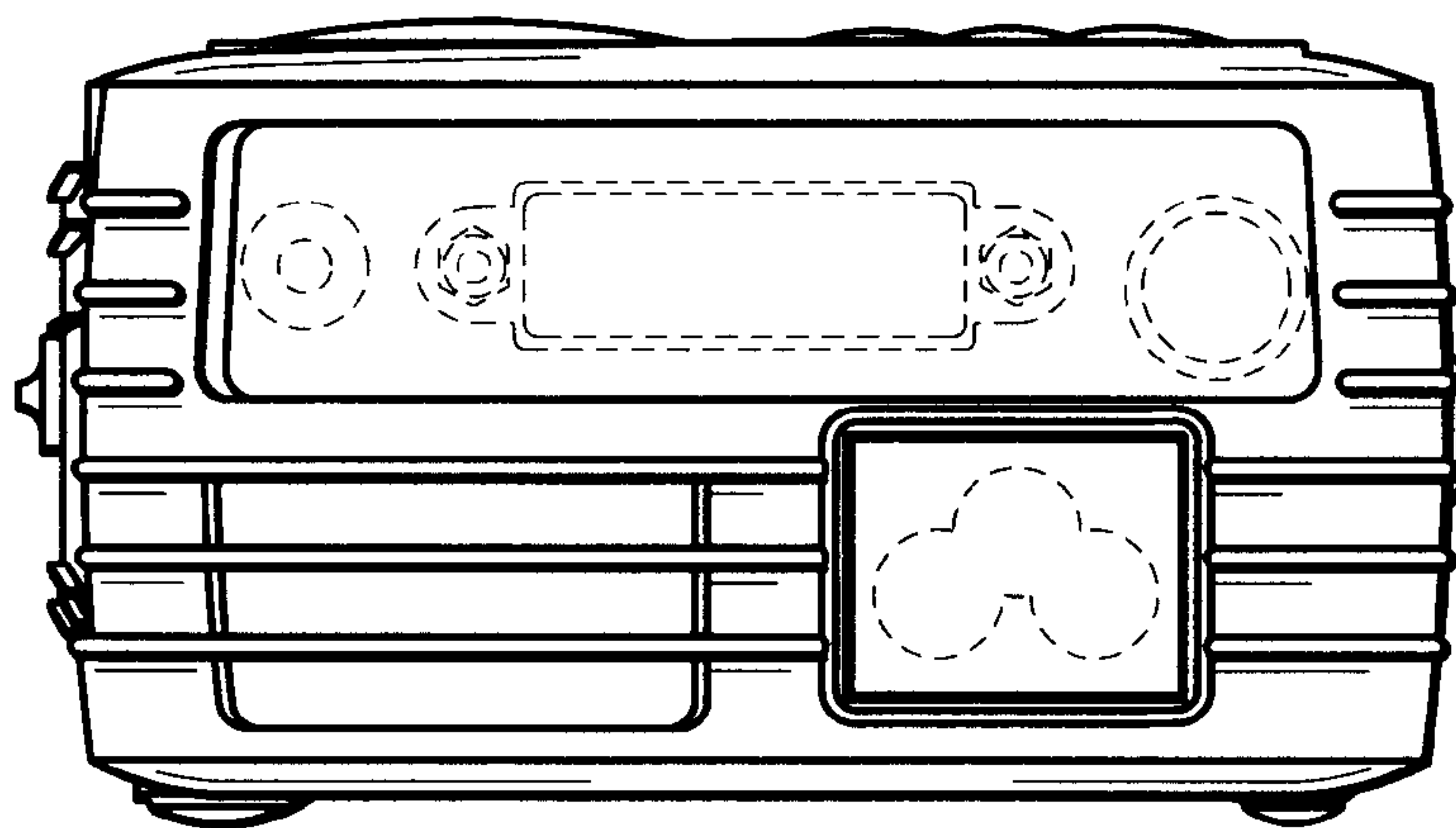


FIG. 7

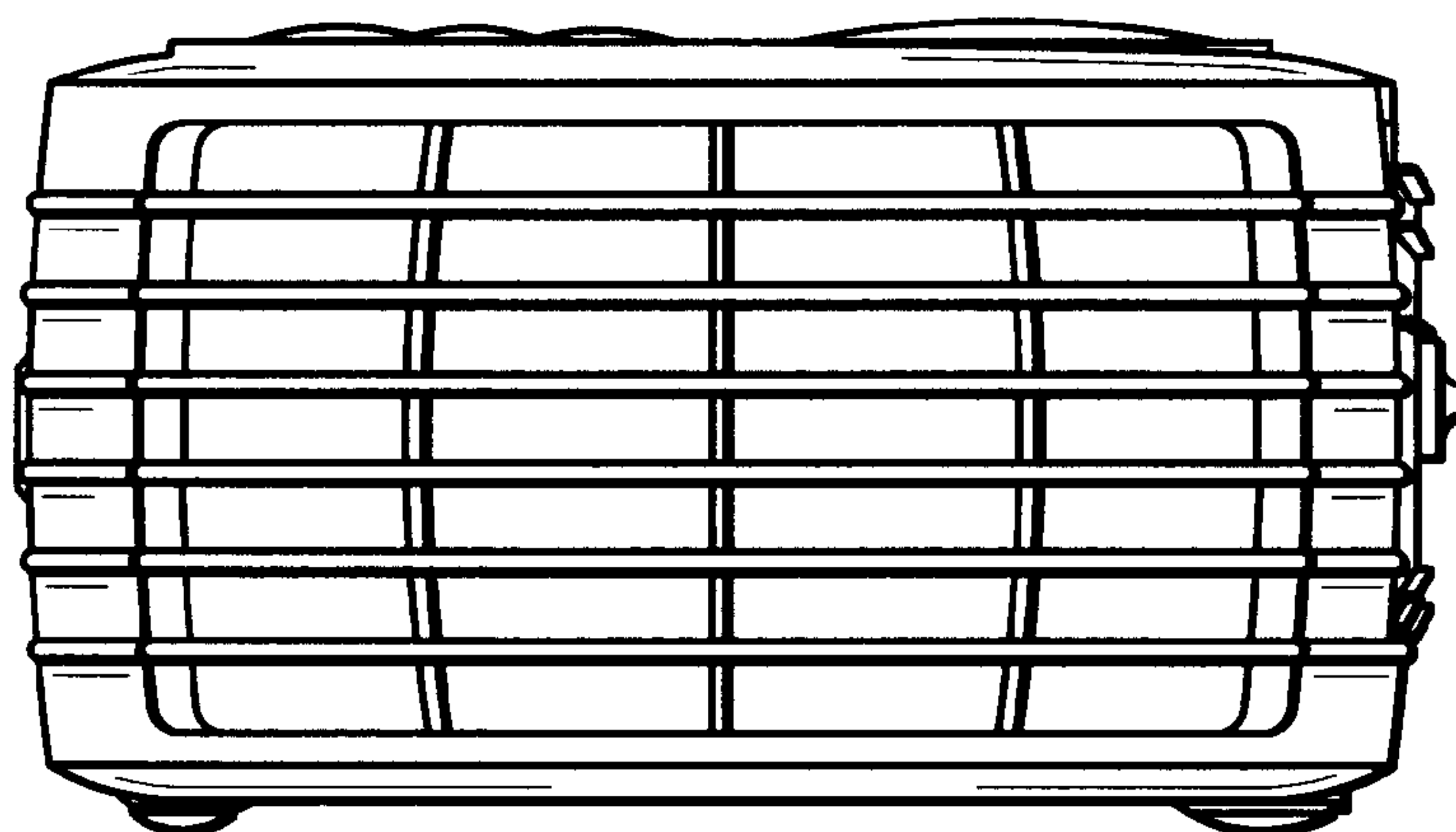


FIG. 8