



US00D536358S

(12) **United States Design Patent**  
**Hanafusa**

(10) **Patent No.:** **US D536,358 S**

(45) **Date of Patent:** **\*\* Feb. 6, 2007**

(54) **DIGITAL CAMERA**

D506,491 S \* 6/2005 Takahashi ..... D16/219  
D524,351 S \* 7/2006 Haga ..... D16/219

(75) Inventor: **Norihito Hanafusa**, Tokyo (JP)

\* cited by examiner

(73) Assignee: **Casio Keisanki Kabushiki Kaisha**,  
Tokyo (JP)

*Primary Examiner*—Adir Aronovich

(74) *Attorney, Agent, or Firm*—Frishauf, Holtz, Goodman  
& Chick, P.C.

(\*\*) Term: **14 Years**

(57) **CLAIM**

(21) Appl. No.: **29/233,037**

The ornamental design for a digital camera, as shown and described.

(22) Filed: **Jun. 27, 2005**

(51) **LOC (8) Cl.** ..... **16-01**

**DESCRIPTION**

(52) **U.S. Cl.** ..... **D16/219; D16/202**

(58) **Field of Classification Search** ..... D16/200–206,  
D16/208, 209, 218, 219, 243; 348/373–376;  
358/909.1; 396/535–541

FIG. 1 is a reduced scale front, right side, top perspective view of a digital camera showing my new design;  
FIG. 2 is a front elevational view thereof;  
FIG. 3 is a rear elevational view thereof;  
FIG. 4 is a left side view thereof;  
FIG. 5 is a right side view thereof;  
FIG. 6 is a top plan view thereof; and,  
FIG. 7 is a bottom plan view thereof.

See application file for complete search history.

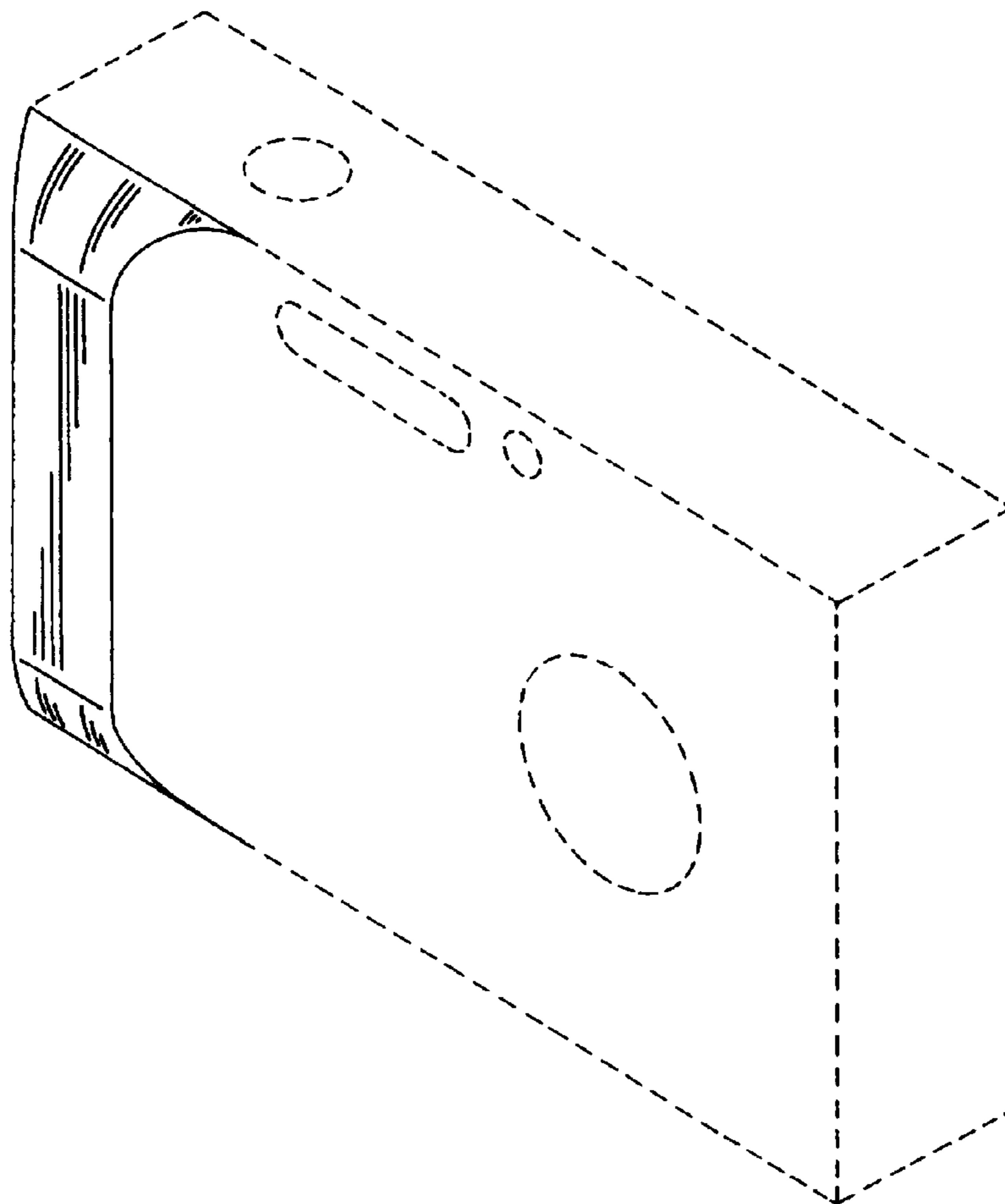
The broken line showings are for illustrative purposes only and form no part of the claimed design.

(56) **References Cited**

**U.S. PATENT DOCUMENTS**

D386,183 S \* 11/1997 Katayama ..... D16/209  
D456,832 S \* 5/2002 Serbinski et al. .... D16/243  
6,434,337 B1 \* 8/2002 Misawa ..... 358/909.1

**1 Claim, 4 Drawing Sheets**



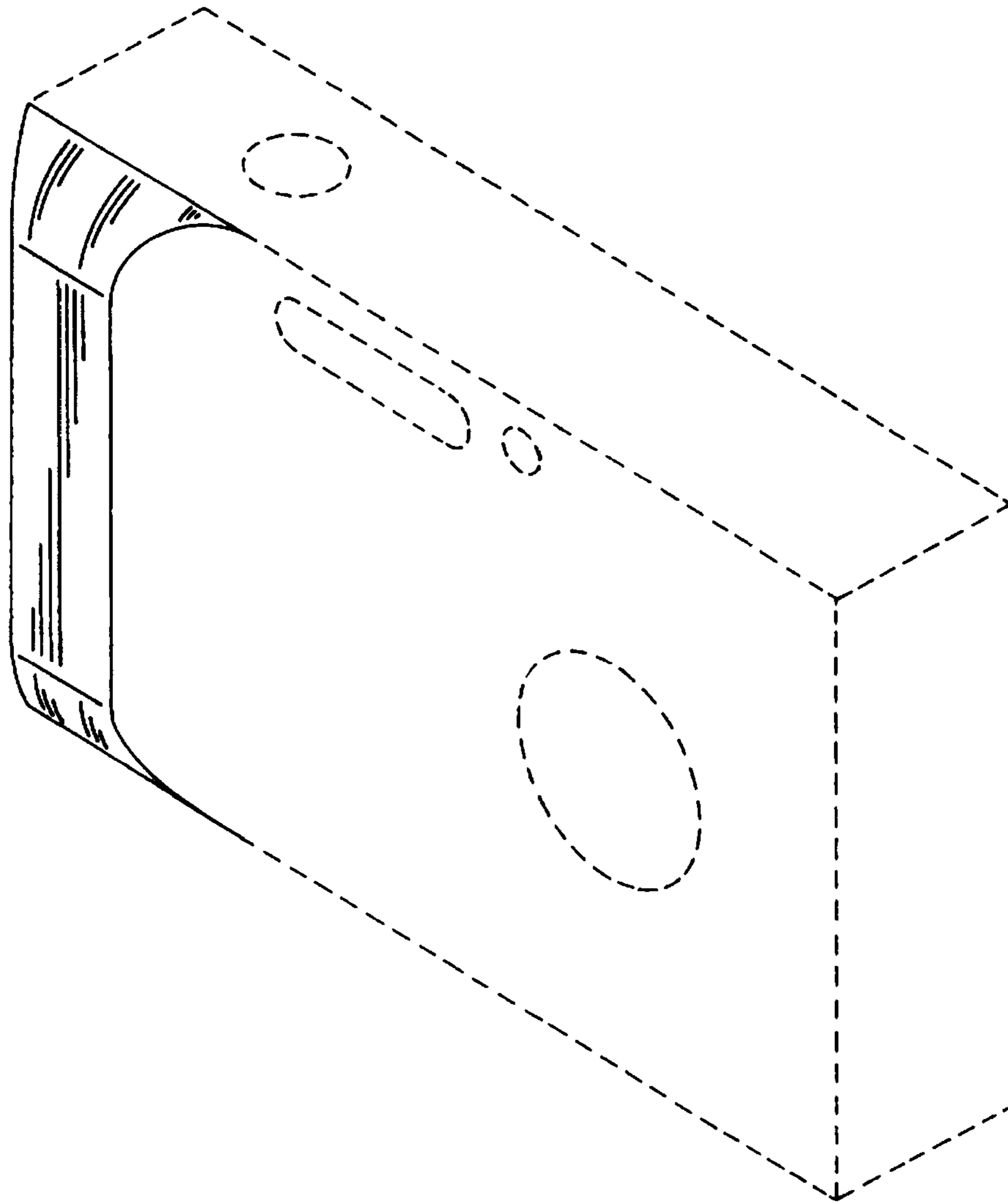


FIG. 1

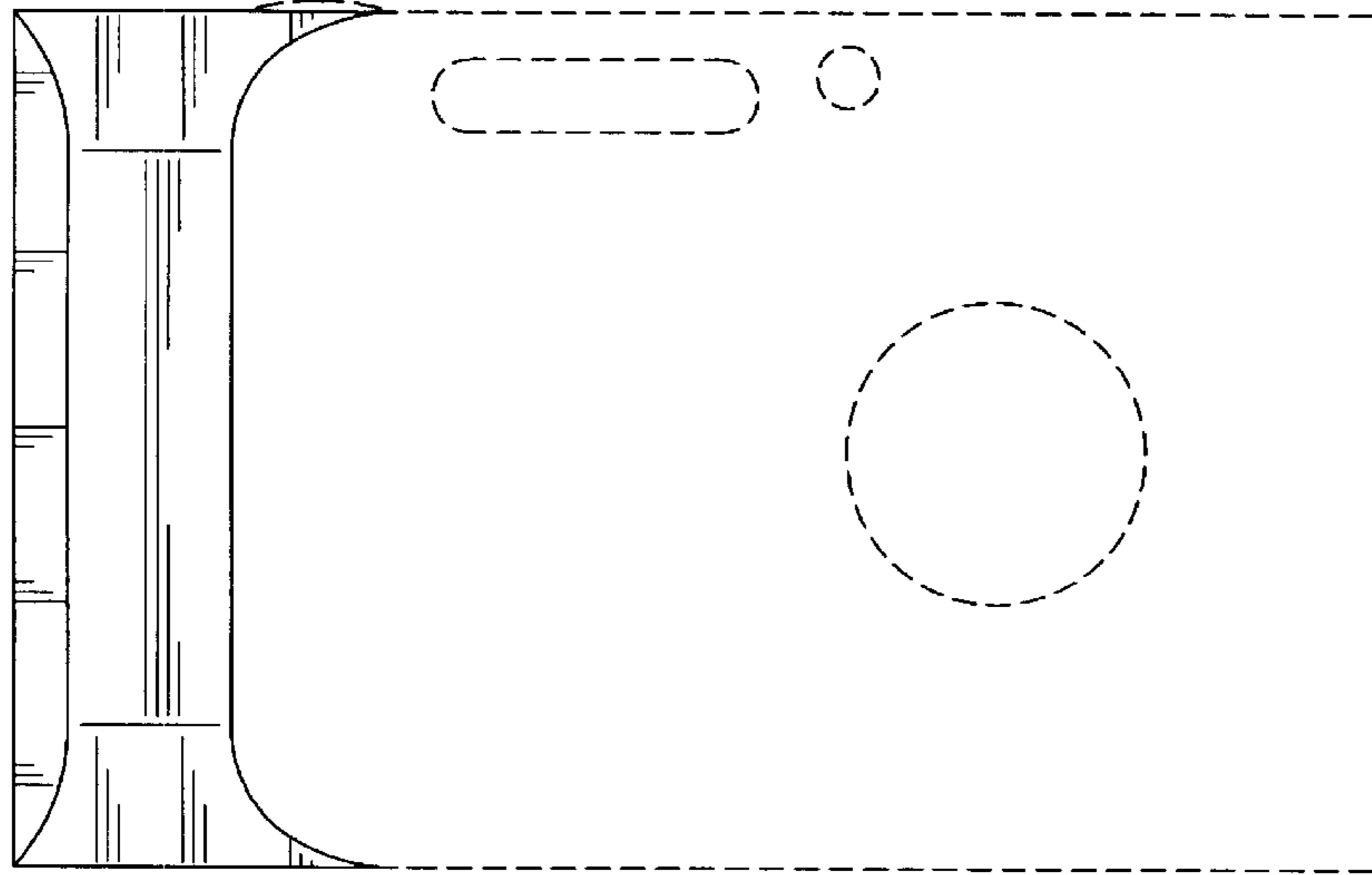


FIG. 2

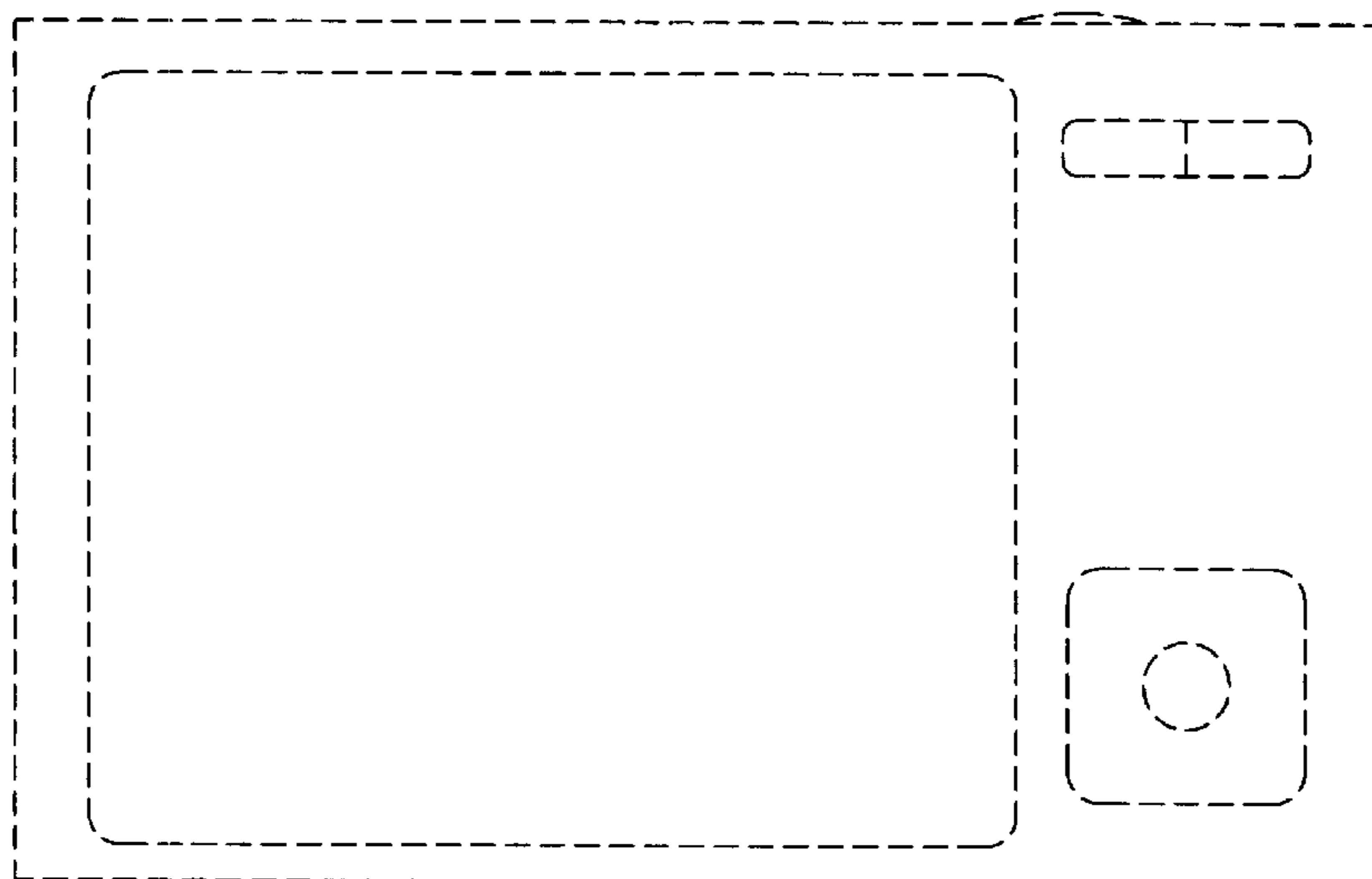


FIG. 3



FIG. 4

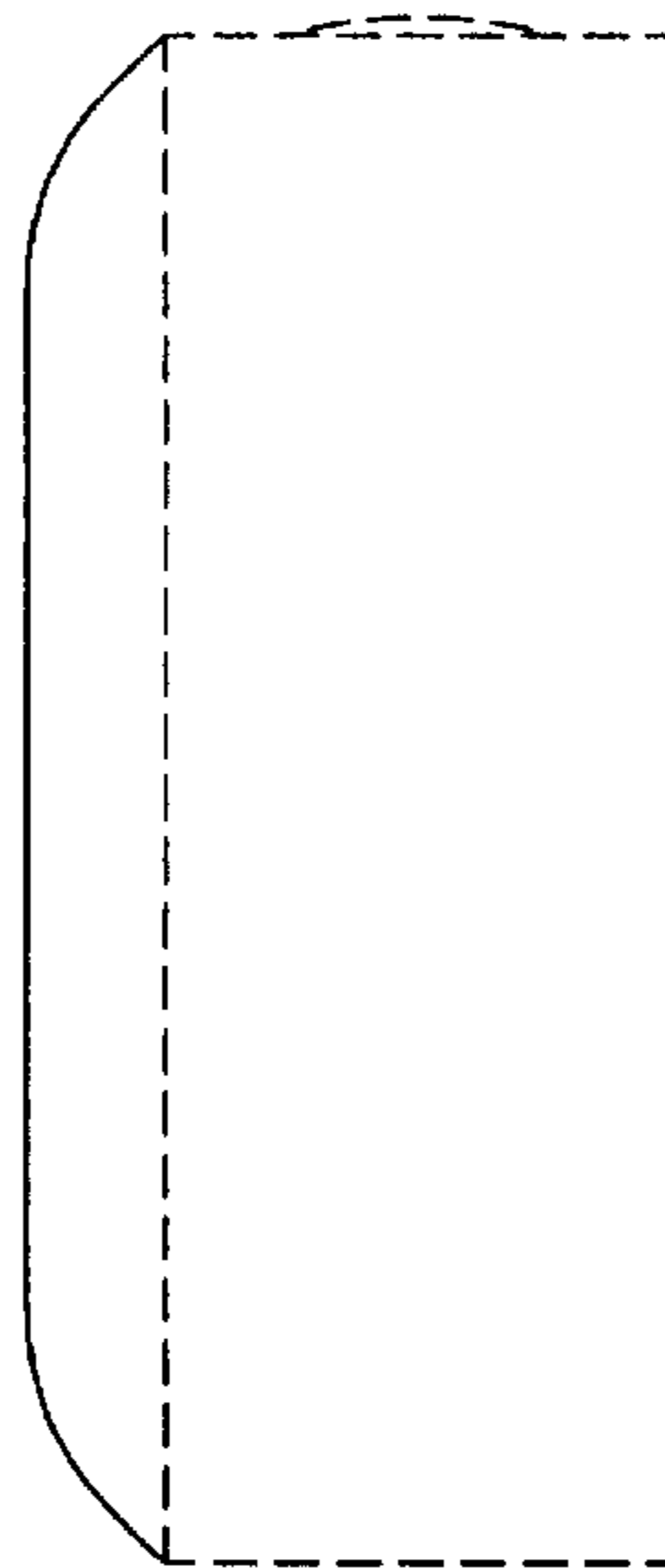


FIG. 5

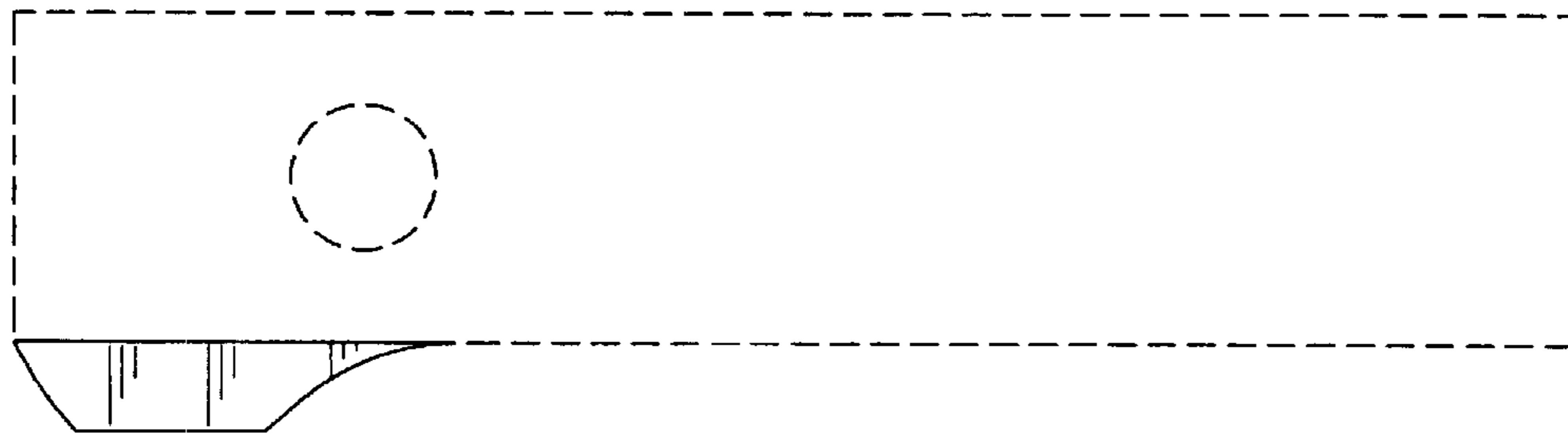


FIG. 6

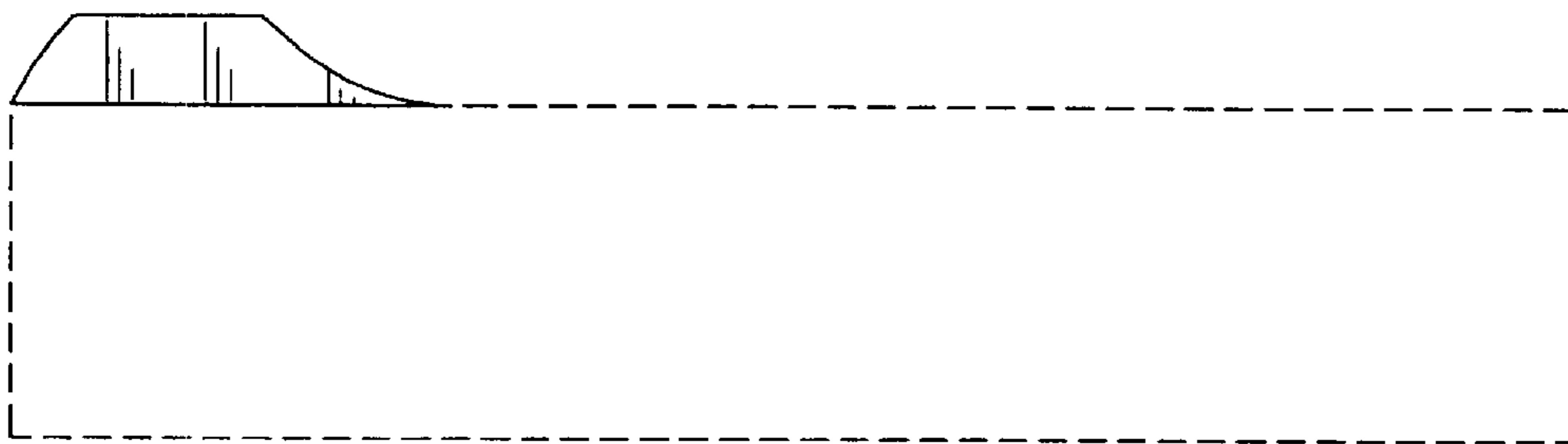


FIG. 7