

US00D536357S

(12) **United States Design Patent**
Koby

(10) **Patent No.:** **US D536,357 S**

(45) **Date of Patent:** **** Feb. 6, 2007**

- (54) **WIRELESS SECURITY CAMERA**
- (75) Inventor: **Refael Koby**, Hod Hasharon (IL)
- (73) Assignee: **MTeye Security Ltd.**, Rosh Ha'aylin (IL)
- (**) Term: **14 Years**
- (21) Appl. No.: **29/222,537**
- (22) Filed: **Feb. 2, 2005**
- (51) **LOC (8) Cl.** **16-01**
- (52) **U.S. Cl.** **D16/203**
- (58) **Field of Classification Search** D16/200-206,
D16/208, 218; 348/143, 151, 373-376; 358/906,
358/909.1; 396/427, 535, 536-541
See application file for complete search history.

- D483,387 S * 12/2003 Chang et al. D16/202
- D486,509 S * 2/2004 Suzuki D16/202
- 6,735,387 B1 * 5/2004 Schnell 396/427
- D508,067 S * 8/2005 Deguchi D16/203

* cited by examiner

Primary Examiner—Adir Aronovich

(74) *Attorney, Agent, or Firm*—Pearl Cohen Zedek Latzer, LLP

(57) **CLAIM**

The ornamental design for a wireless security camera, as shown and described.

DESCRIPTION

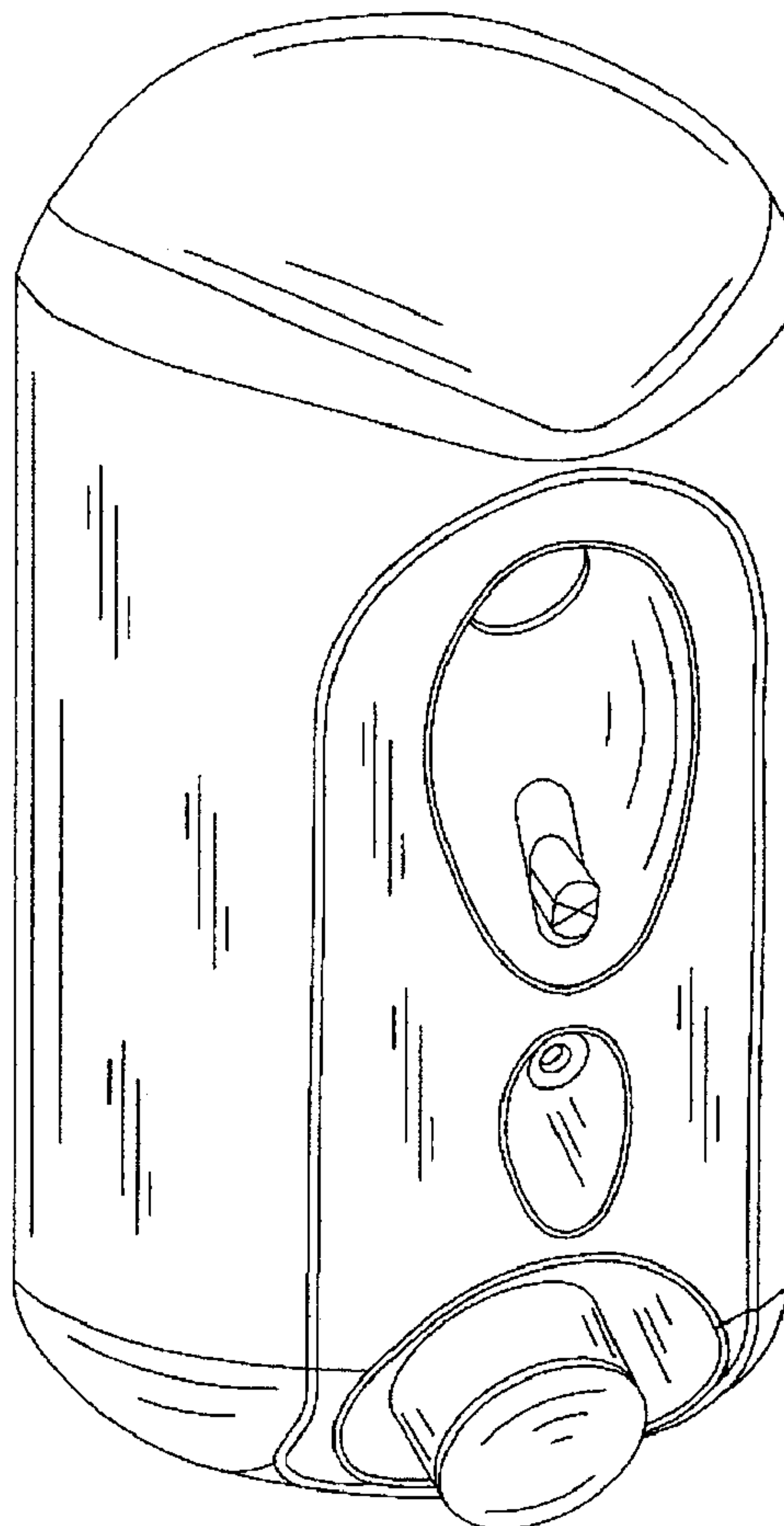
FIG. 1 is a perspective view of the camera;
FIG. 2 is a front view of the camera shown in FIG. 1;
FIG. 3 is a side view of the camera shown in FIG. 1, the undisclosed opposite side being identical;
FIG. 4 is a top view of the camera shown in FIG. 1; and,
FIG. 5 is a bottom view of the camera shown in FIG. 1.
Portions of the camera in which the design is embodied that are not considered part of the claimed design are designated by broken lines.

(56) **References Cited**

U.S. PATENT DOCUMENTS

- D357,929 S * 5/1995 Pierce D16/202
- 5,610,678 A * 3/1997 Tsuboi et al. 396/373
- D396,240 S * 7/1998 Hasegawa D16/202
- D410,480 S * 6/1999 Takagi D16/202
- D429,269 S * 8/2000 Renkis D16/203

1 Claim, 3 Drawing Sheets



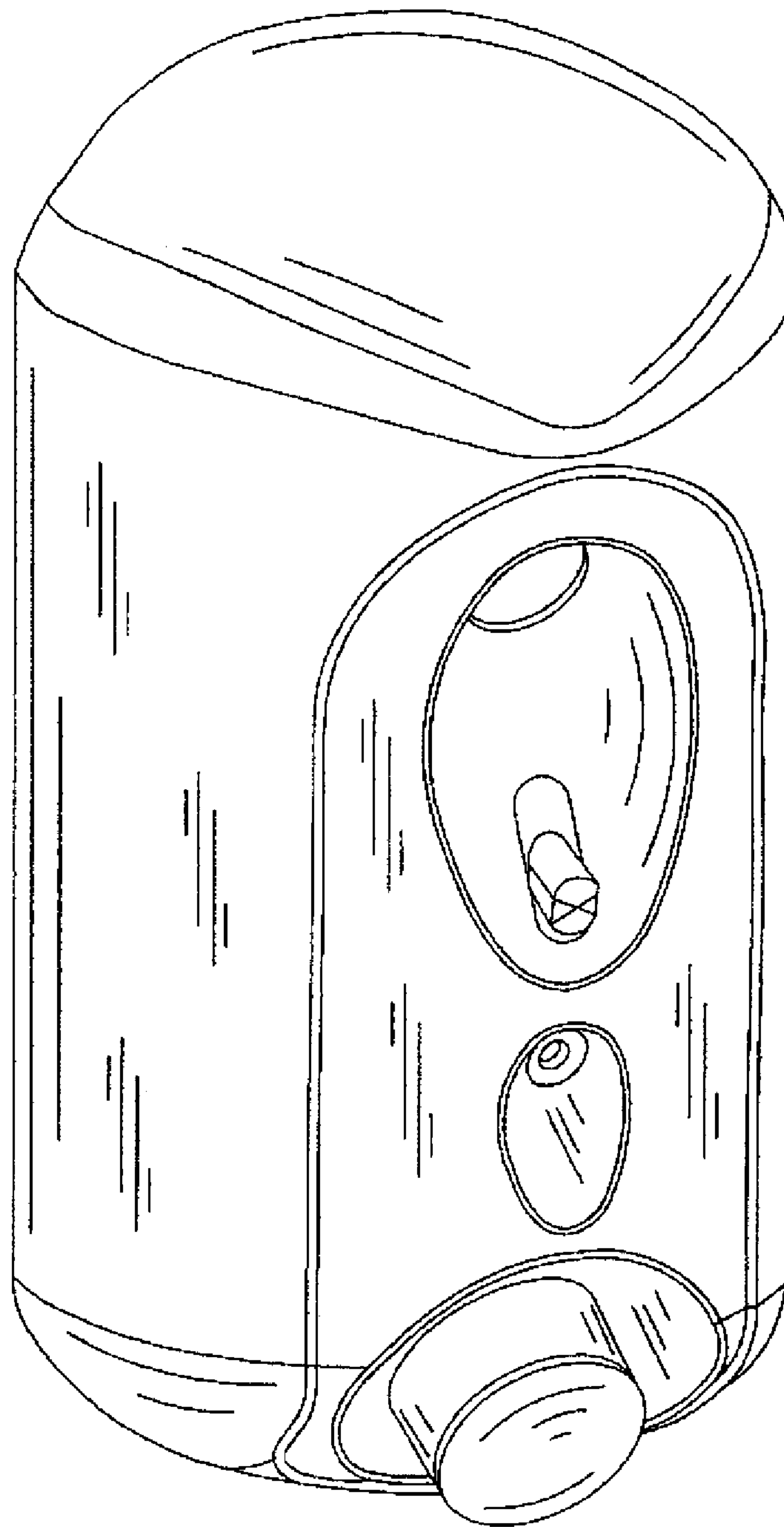


FIG. 1

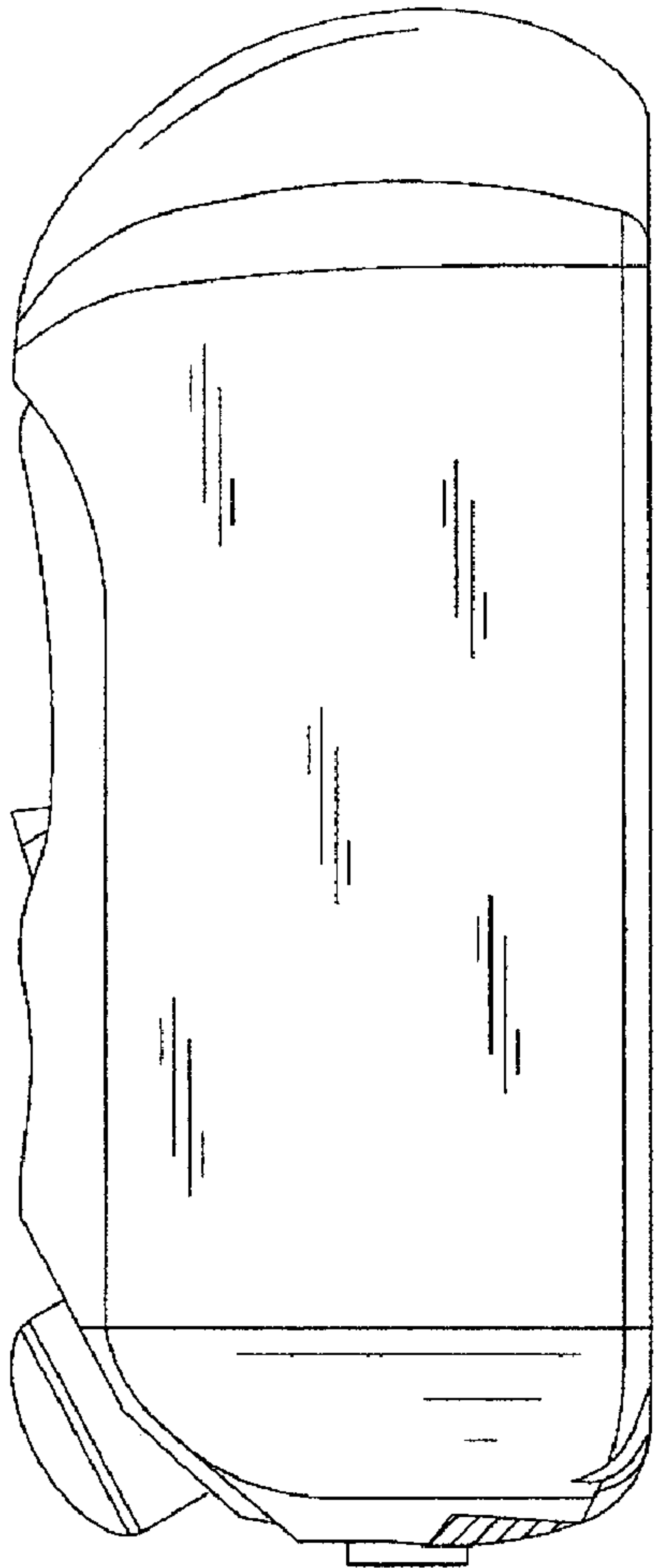


FIG. 2

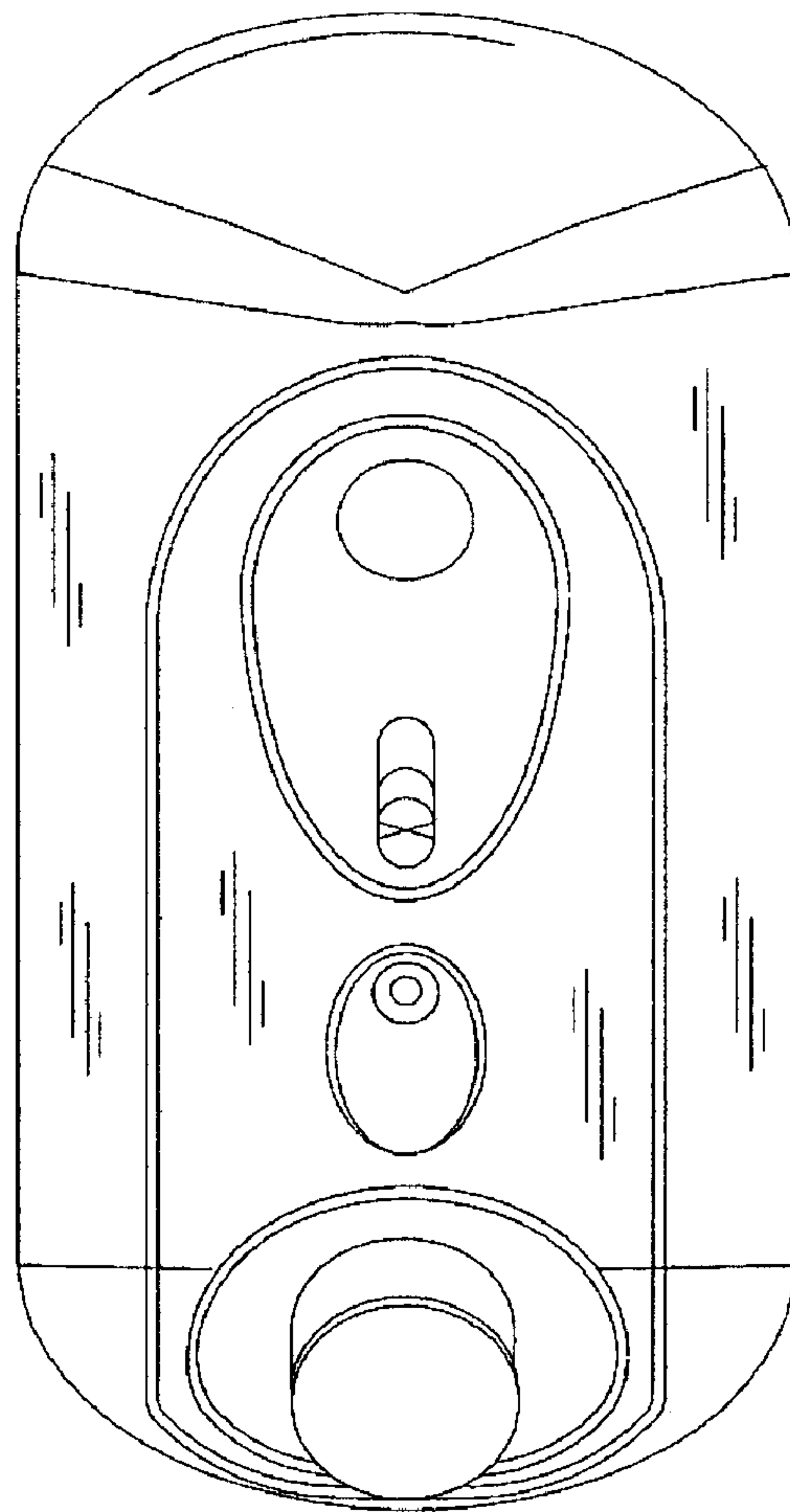


FIG. 3

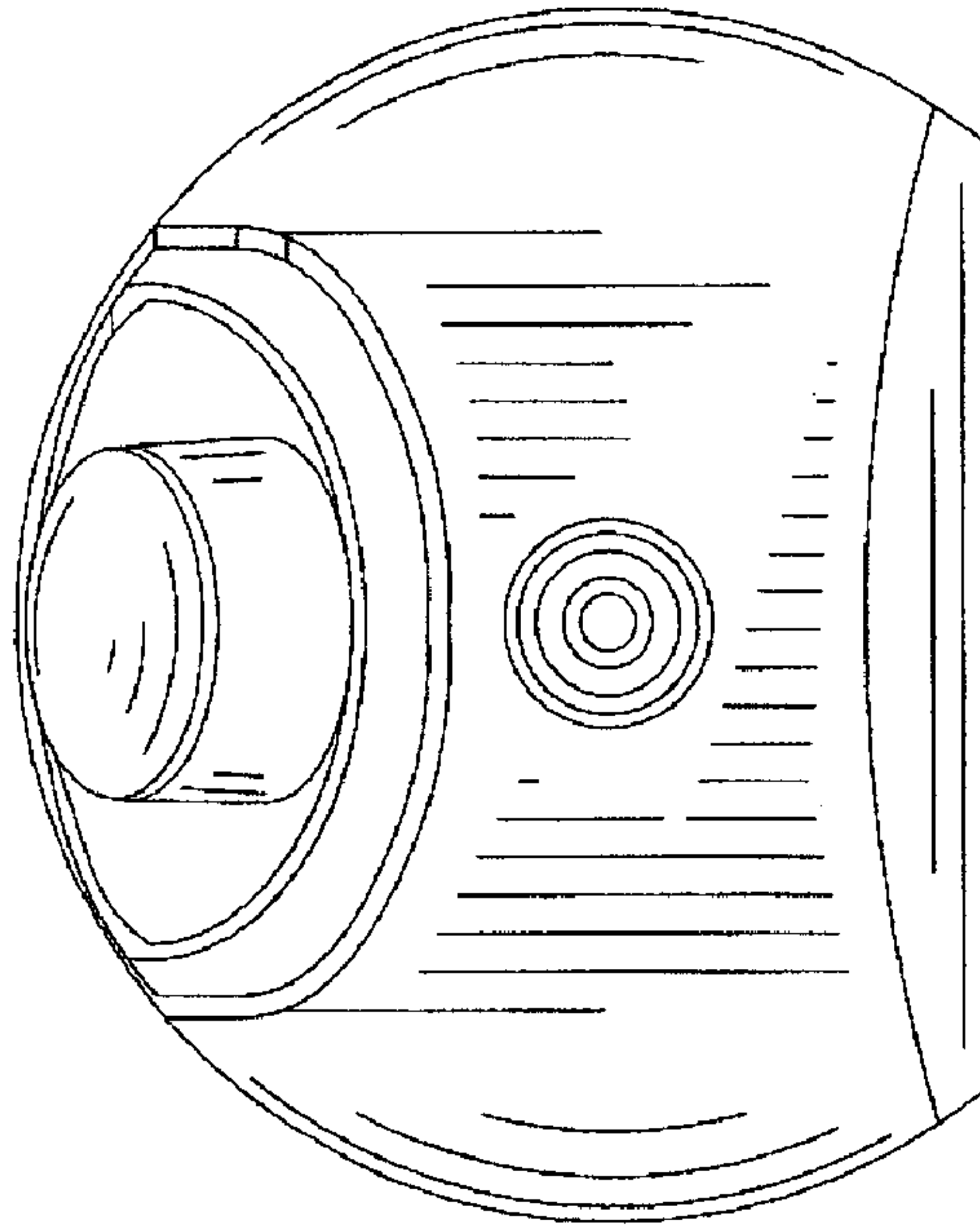


FIG. 4

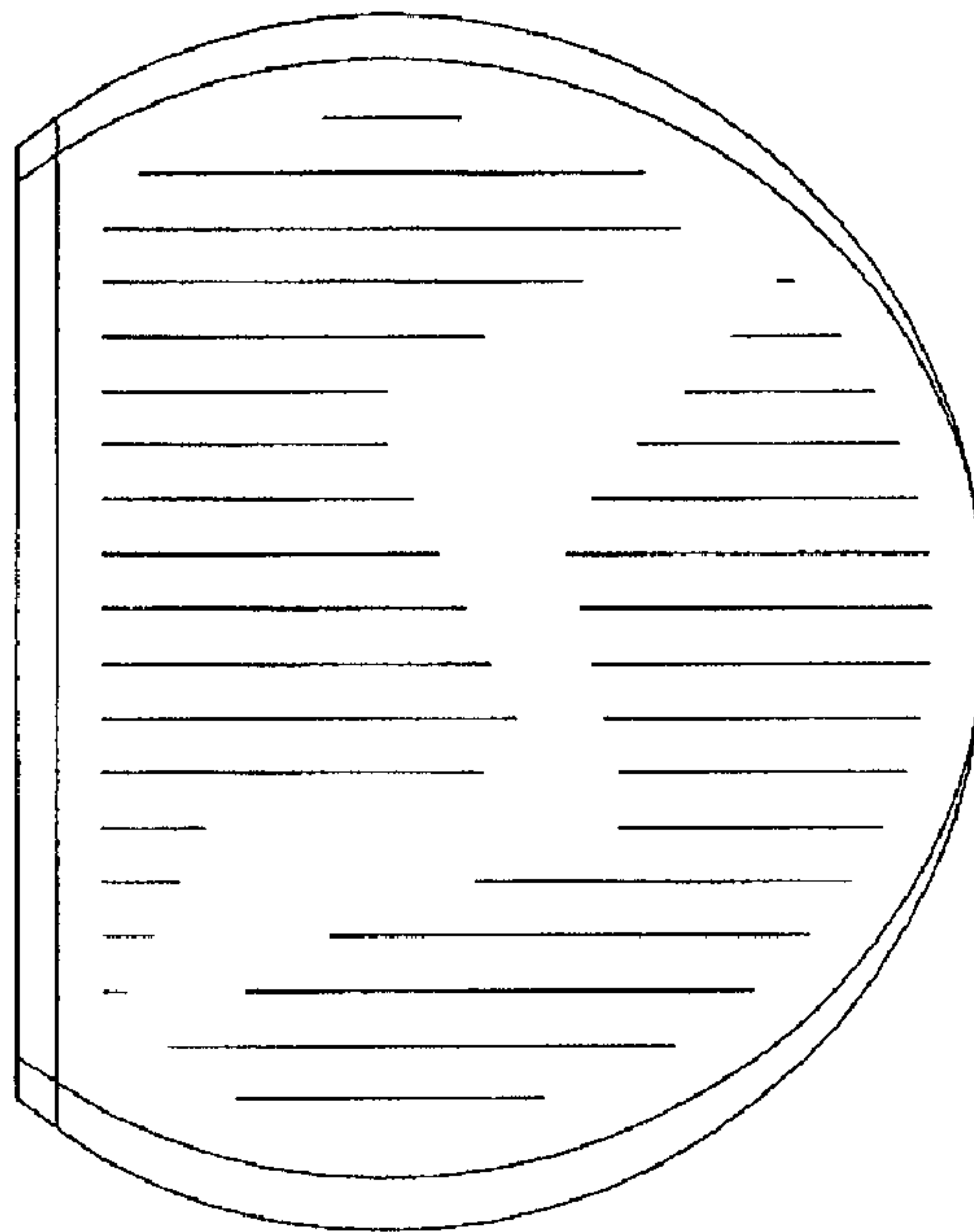


FIG. 5