



US00D536355S

(12) **United States Design Patent** (10) **Patent No.:** **US D536,355 S**  
**Levsen et al.** (45) **Date of Patent:** **\*\* Feb. 6, 2007**

(54) **VACUUM PACKAGING MACHINE**

(75) Inventors: **Clark A. Levsen**, Shawnee, KS (US);  
**Bernard G. Huff**, Belton, MO (US)

(73) Assignee: **Hantover, Inc.**, Kansas City, MO (US)

(\*\*) Term: **14 Years**

(21) Appl. No.: **29/225,626**

(22) Filed: **Mar. 18, 2005**

(51) **LOC (8) Cl.** ..... **15-99**

(52) **U.S. Cl.** ..... **D15/146**

(58) **Field of Classification Search** ..... D15/145,  
D15/146; 53/374.9, 389.2, 389.3, 390, 510,  
53/512; 101/9; 156/515, 583.4, 583.9; 219/143;  
493/256

See application file for complete search history.

(56) **References Cited**

U.S. PATENT DOCUMENTS

D249,526 S \* 9/1978 Kishida ..... D15/146

(Continued)

*Primary Examiner*—Antoine D. Davis

*Assistant Examiner*—Patricia Palasik

(74) *Attorney, Agent, or Firm*—Hovey Williams LLP

(57) **CLAIM**

The ornamental design for a vacuum packaging machine, as shown and described.

**DESCRIPTION**

FIG. 1 is a perspective view of a vacuum packaging machine embodying our design, with the control and display panel being shown in broken lines for illustrative purposes only and forming no part of the claimed design;

FIG. 2 is a plan view of the vacuum packaging machine depicted in FIG. 1, with the electrical cord receptacle on the rear of the machine also being shown in broken lines for illustrative purposes only and forming no part of the claimed design;

FIG. 3 is a front elevation view of the vacuum packaging machine depicted in FIG. 1, with the package-sealing components visible between the swingable lid and base, as well as the support feet, also being shown in broken lines for illustrative purposes only and forming no part of the claimed design;

FIG. 4 is an end elevation view of the vacuum packaging machine depicted in FIGS. 1–3;

FIG. 5 is an end elevation view of the vacuum packaging machine opposite that shown in FIG. 4;

FIG. 6 is a rear elevation of the vacuum packaging machine shown in FIGS. 1–5, with the hinge tab associated with the swingable connection between the lid and base, as well as the slotted vent openings, also being shown in broken lines for illustrative purposes only and forming no part of the claimed design;

FIG. 7 is a perspective view of a vacuum packaging machine embodying our design, with the control and display panel, the outline and particular shape of the swingable lid, and the depression for facilitating opening of the lid relative to the base being shown in broken lines for illustrative purposes only and forming no part of the claimed design;

FIG. 8 is a plan view of the vacuum packaging machine depicted in FIG. 7, with the electrical cord receptacle on the rear of the machine also being shown in broken lines for illustrative purposes only and forming no part of the claimed design;

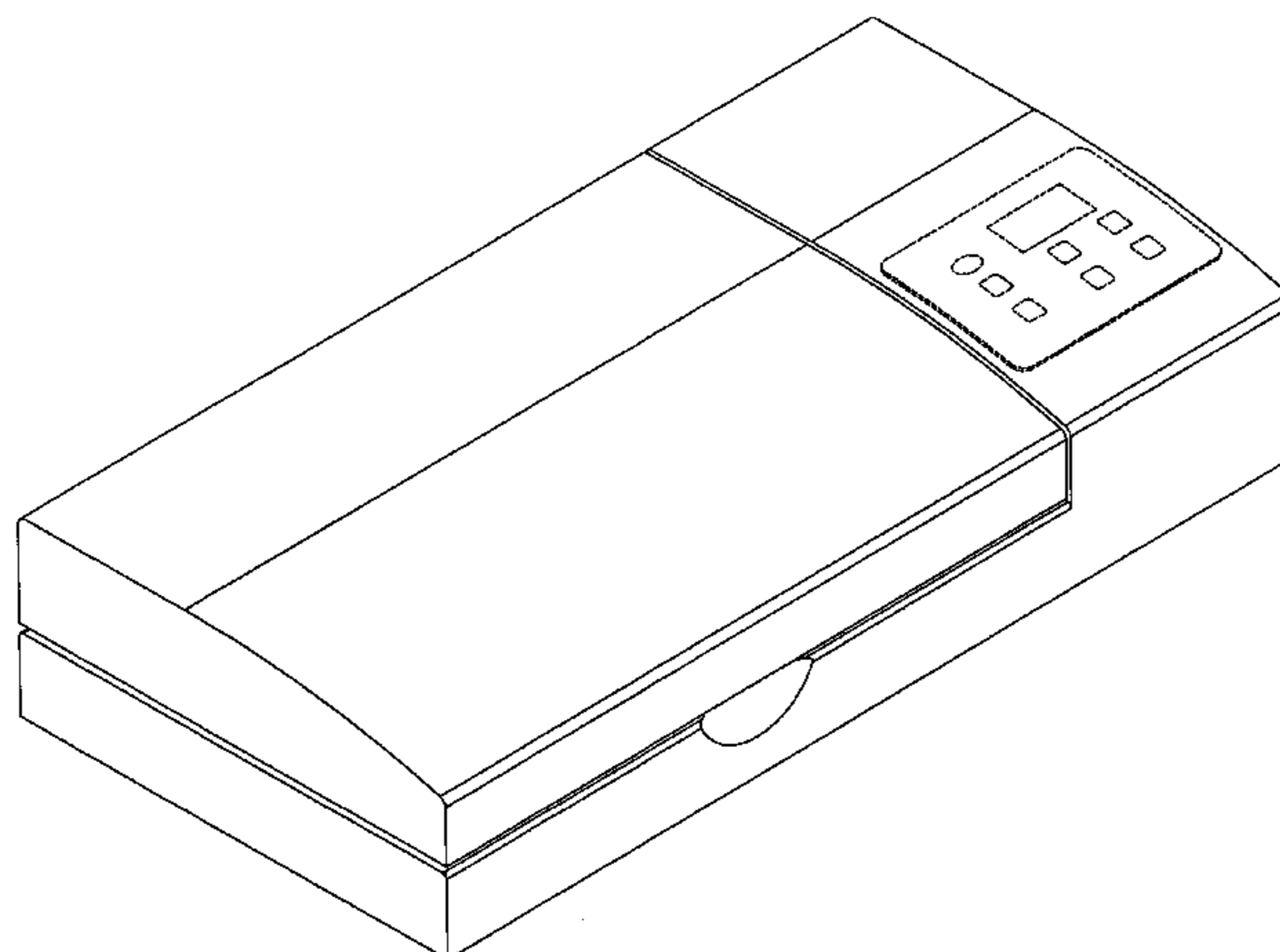
FIG. 9 is a front elevation view of the vacuum packaging machine depicted in FIG. 7, with the package-sealing components visible between the swingable lid and base, as well as the support feet, also being shown in broken lines for illustrative purposes only and forming no part of the claimed design;

FIG. 10 is an end elevation view of the vacuum packaging machine depicted in FIGS. 7–9;

FIG. 11 is an end elevation view of the vacuum packaging machine opposite that shown in FIG. 10; and,

FIG. 12 is a rear elevation of the vacuum packaging machine shown in FIGS. 7–11, with the hinge tab associated with the swingable connection between the lid and base, as well as the slotted vent openings, also being shown in broken lines for illustrative purposes only and forming no part of the claimed design.

**1 Claim, 6 Drawing Sheets**



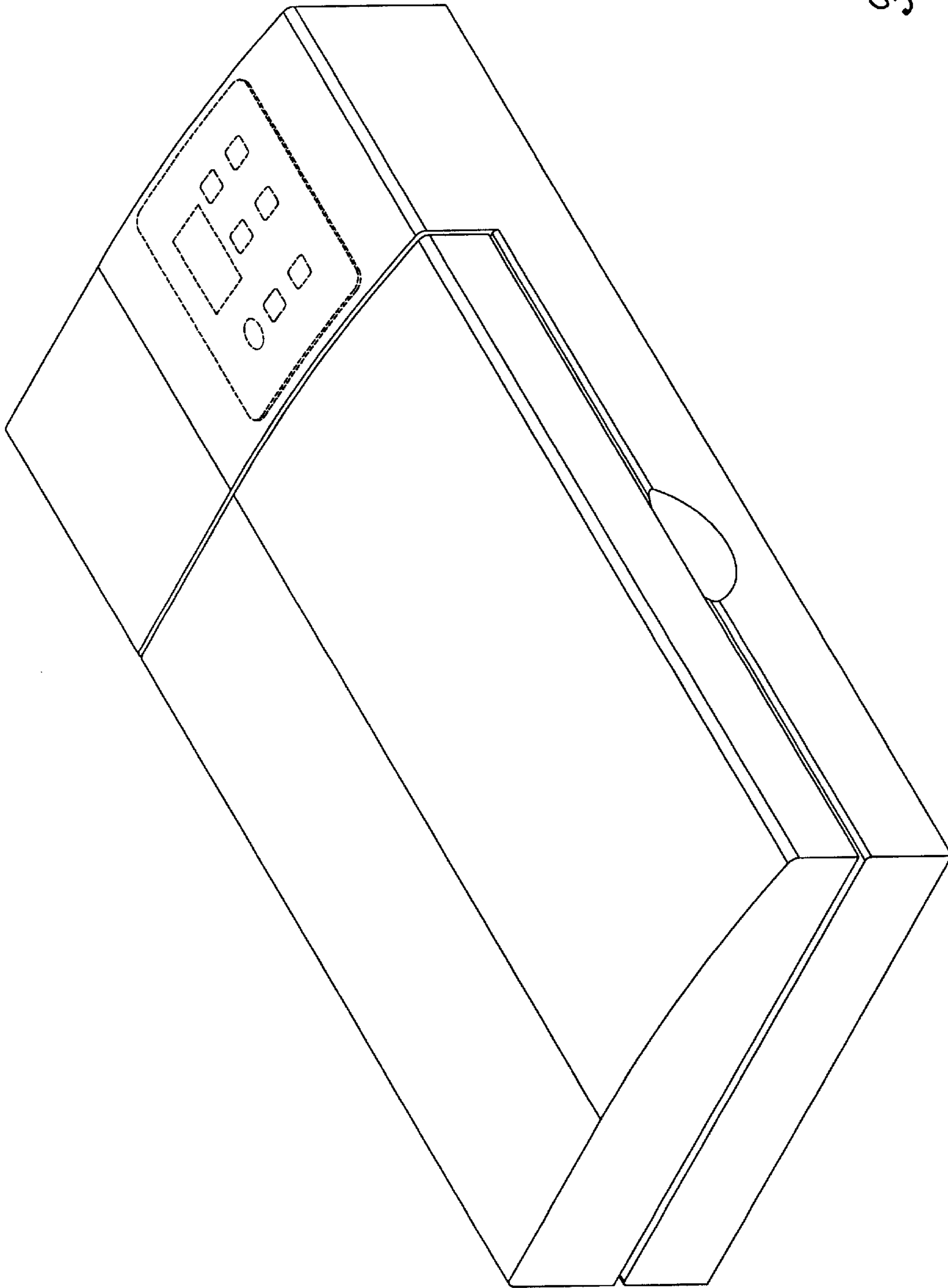
# US D536,355 S

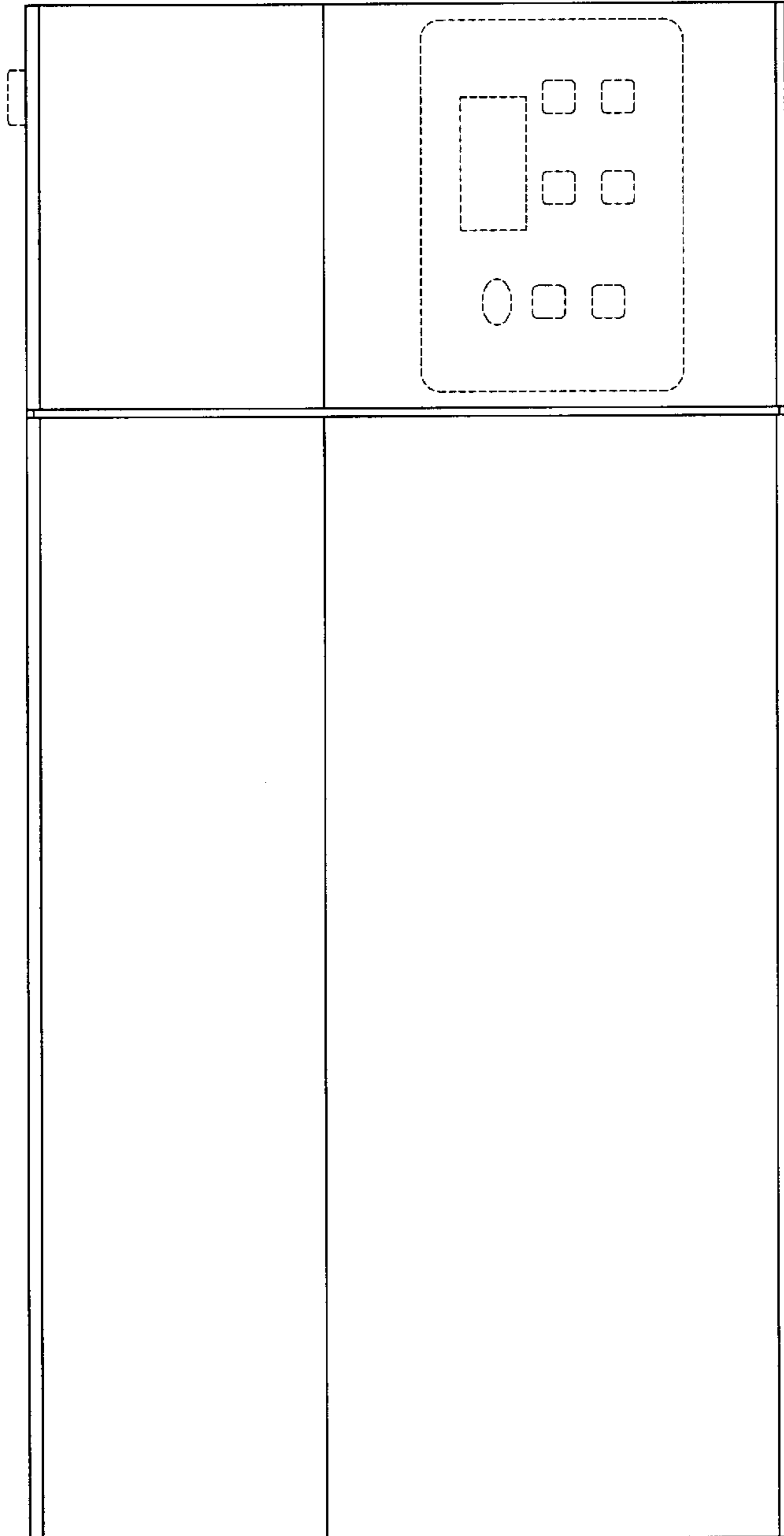
Page 2

---

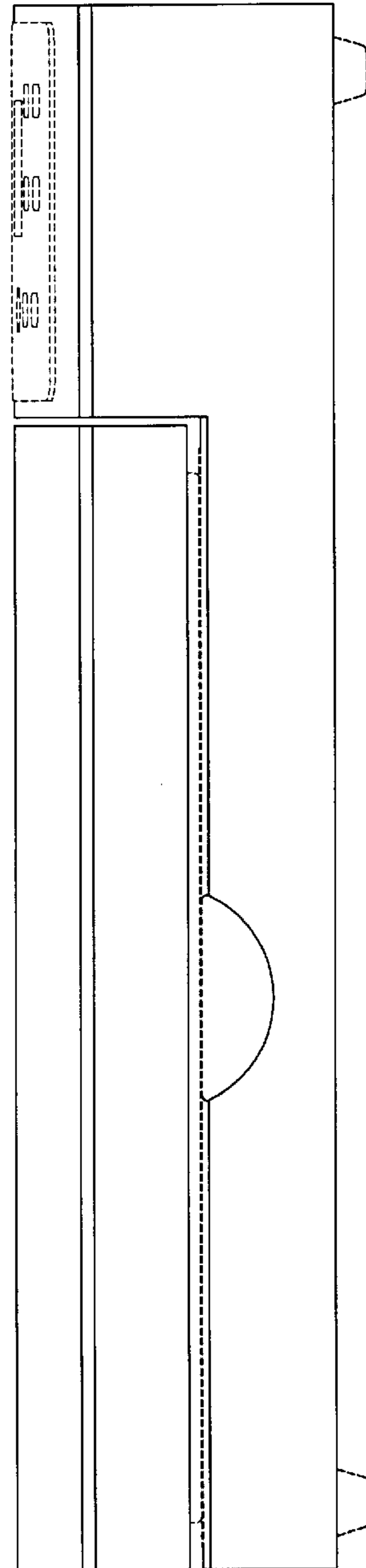
U.S. PATENT DOCUMENTS			
		5,638,664 A	6/1997 Levsen et al.
4,941,310 A	7/1990 Kristen	6,256,968 B1 *	7/2001 Kristen ..... 53/512
5,239,808 A	8/1993 Wells et al.	7,000,367 B2 *	2/2006 Sung ..... 53/510
D342,532 S	* 12/1993 Deni .....	D15/146	* cited by examiner

*Fig. 1.*

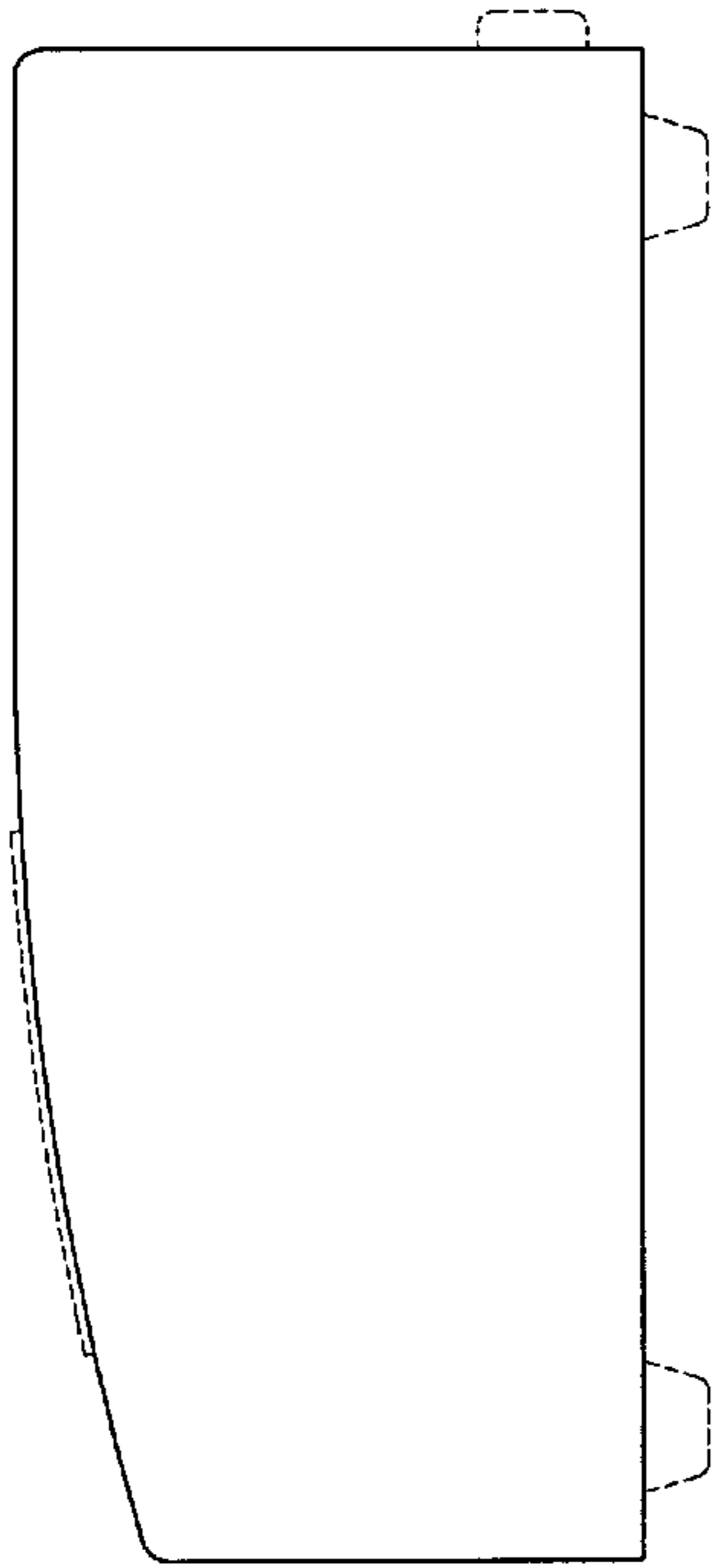




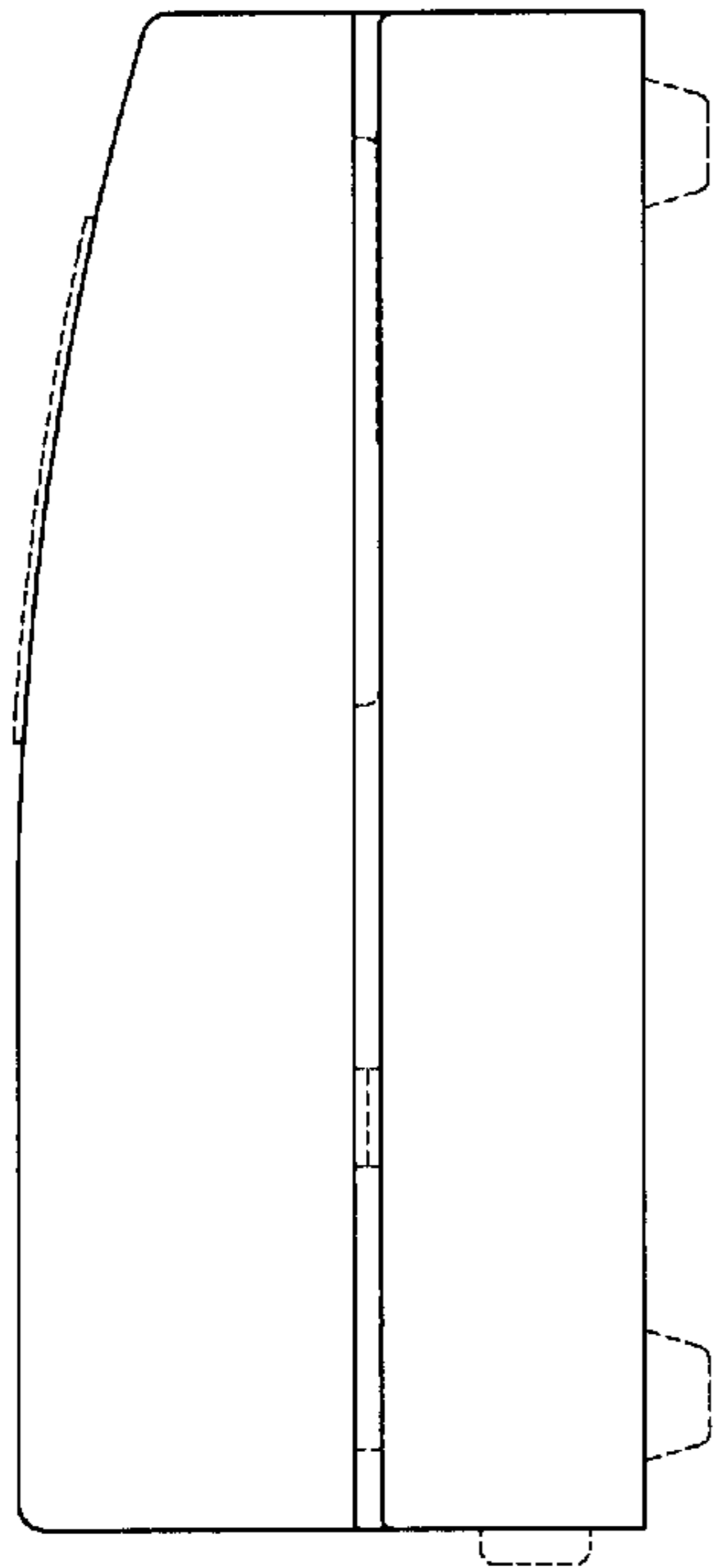
*Fig. 2.*



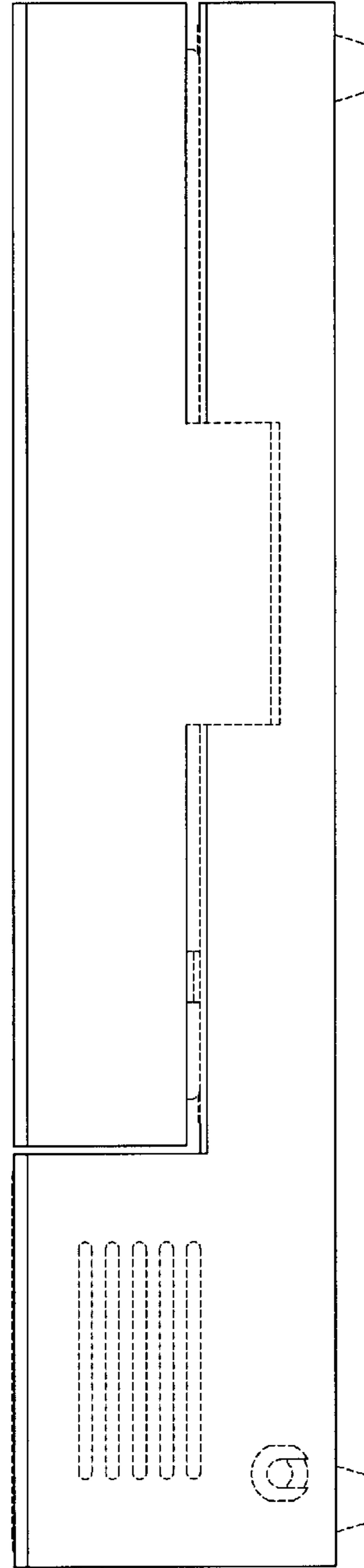
*Fig. 3.*



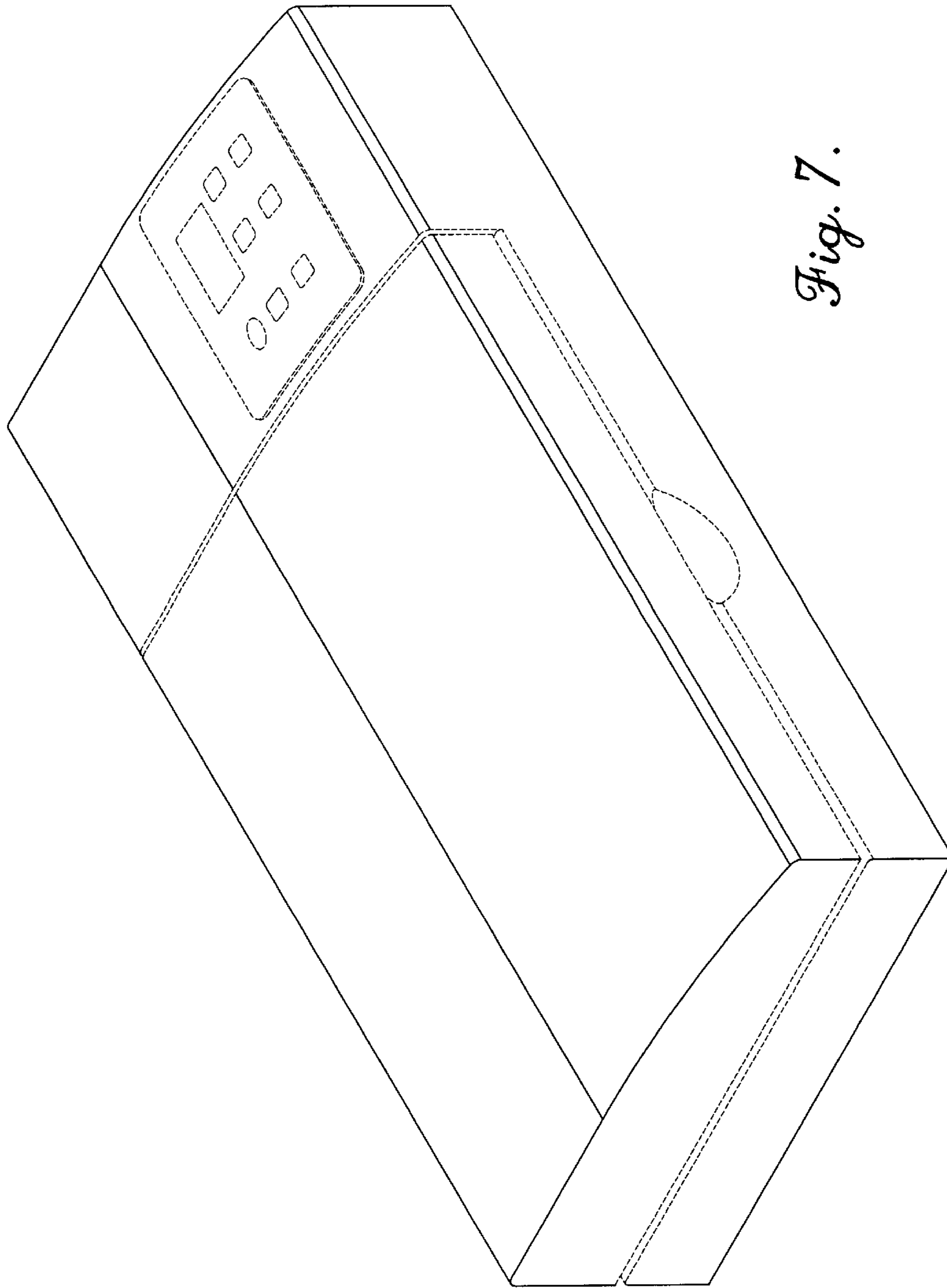
*Fig. 5.*



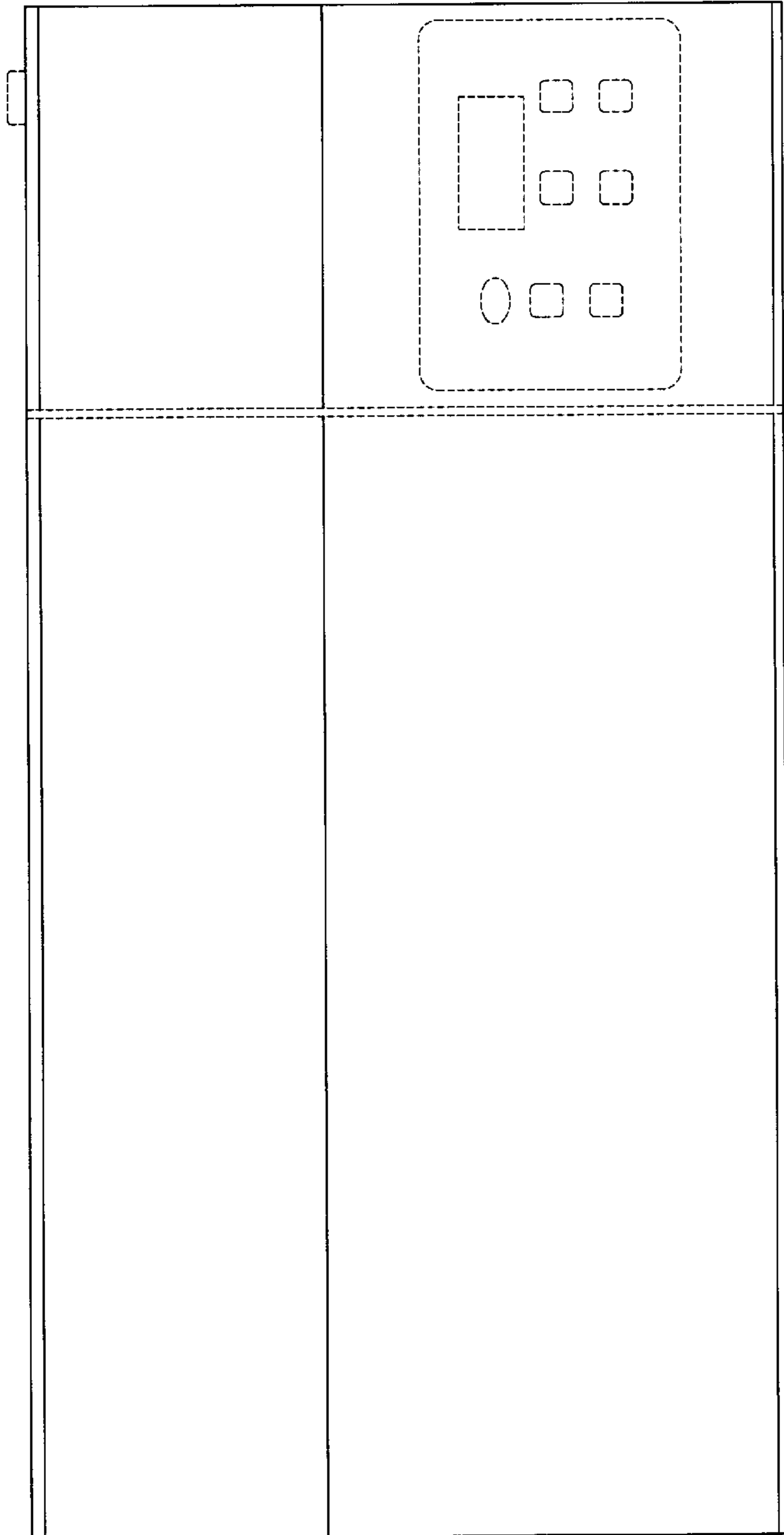
*Fig. 4.*



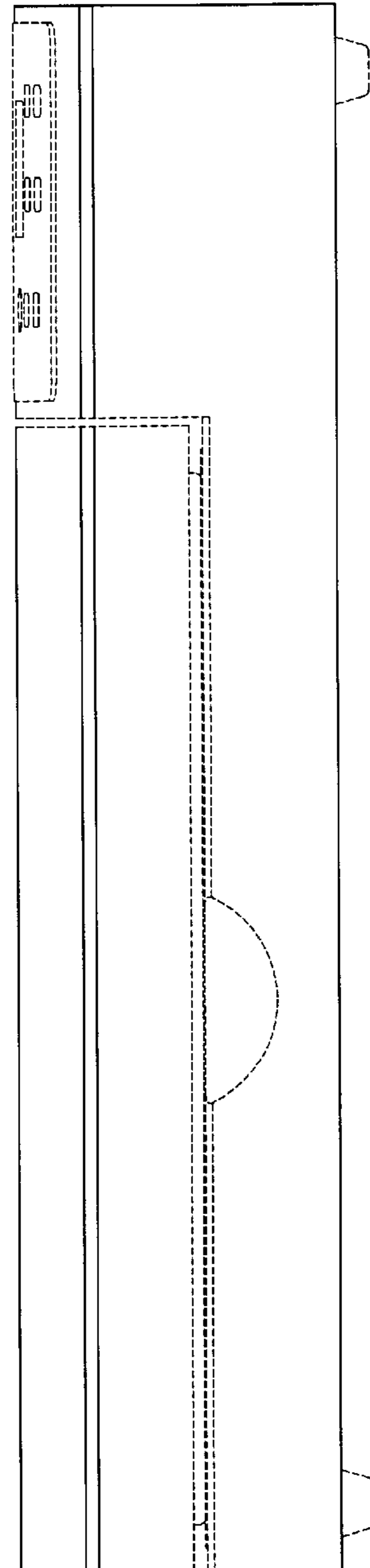
*Fig. 6.*



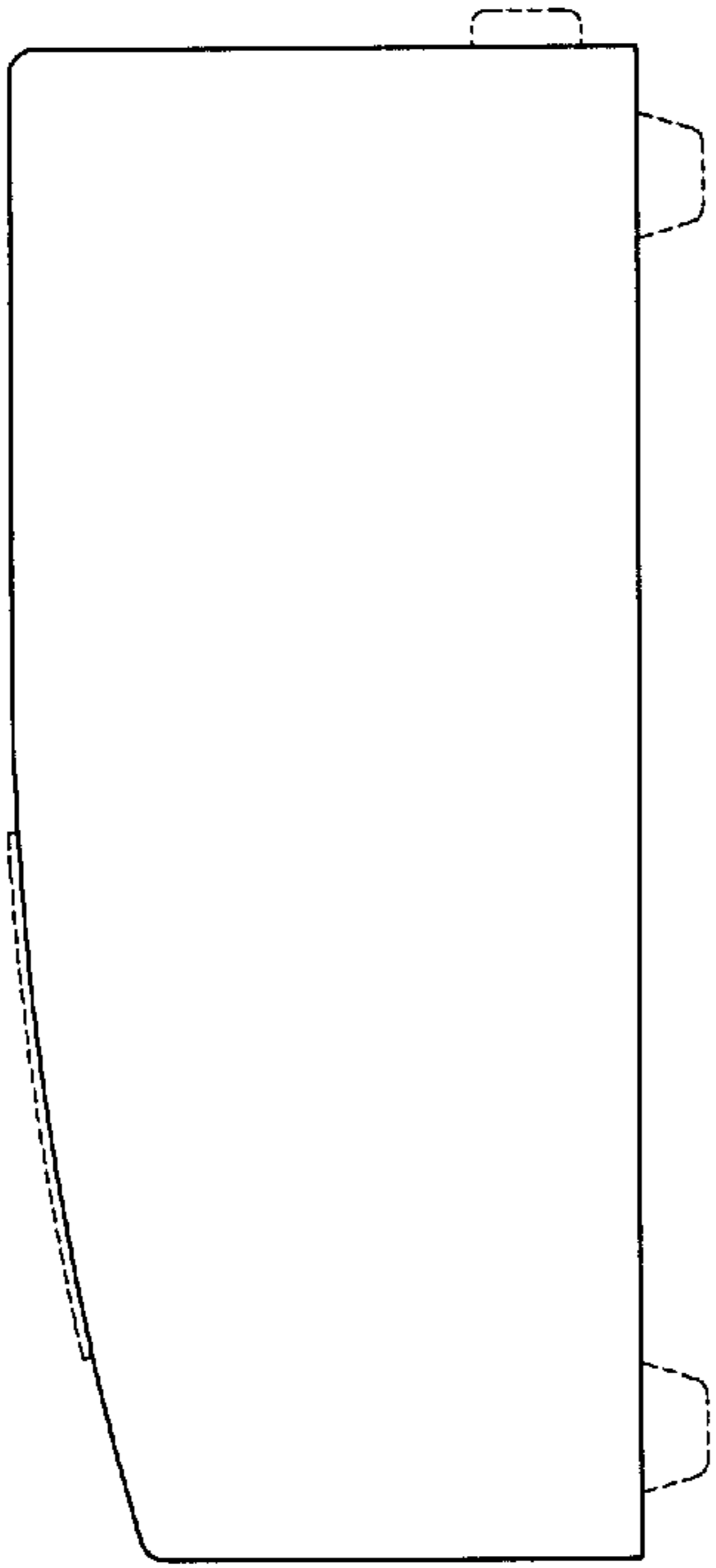
*Fig. 7.*



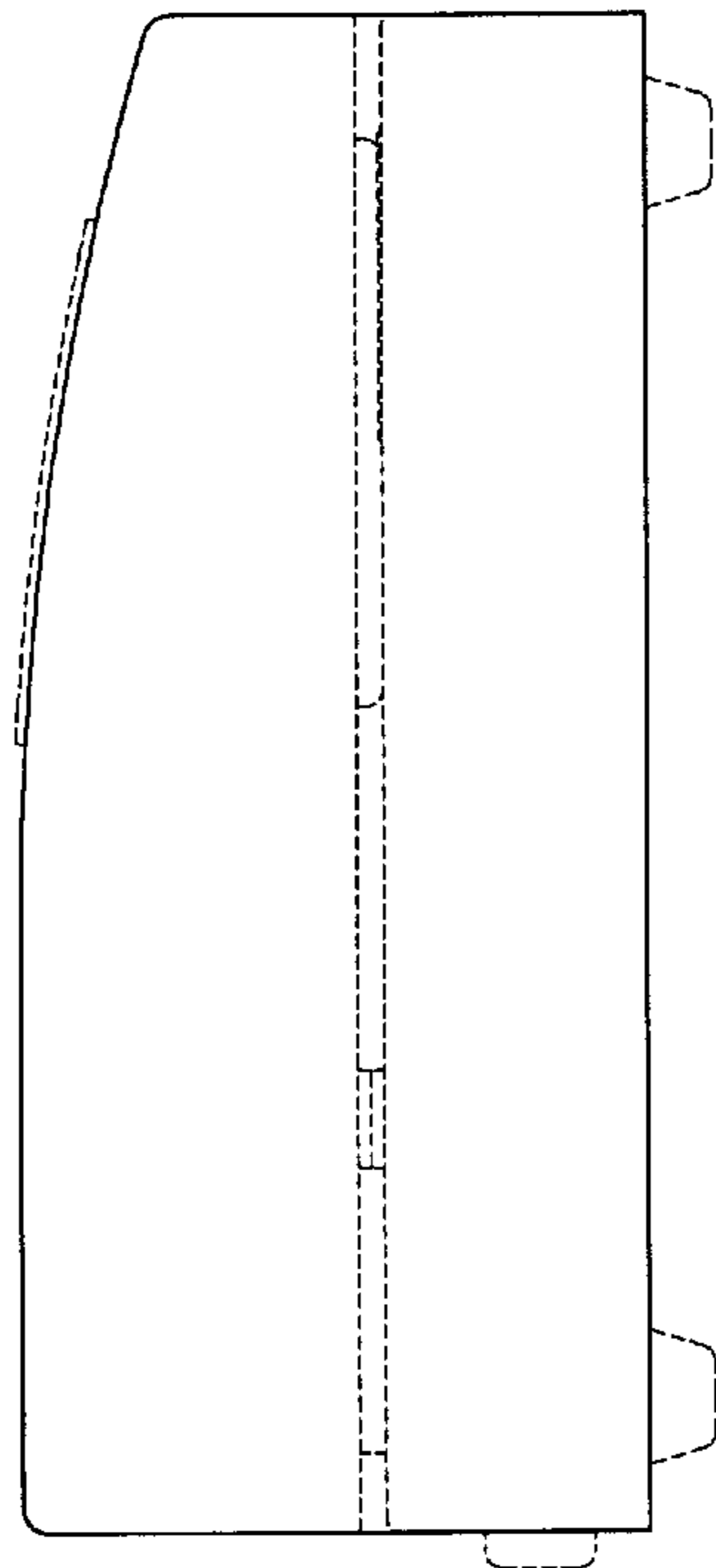
*Fig. 8.*



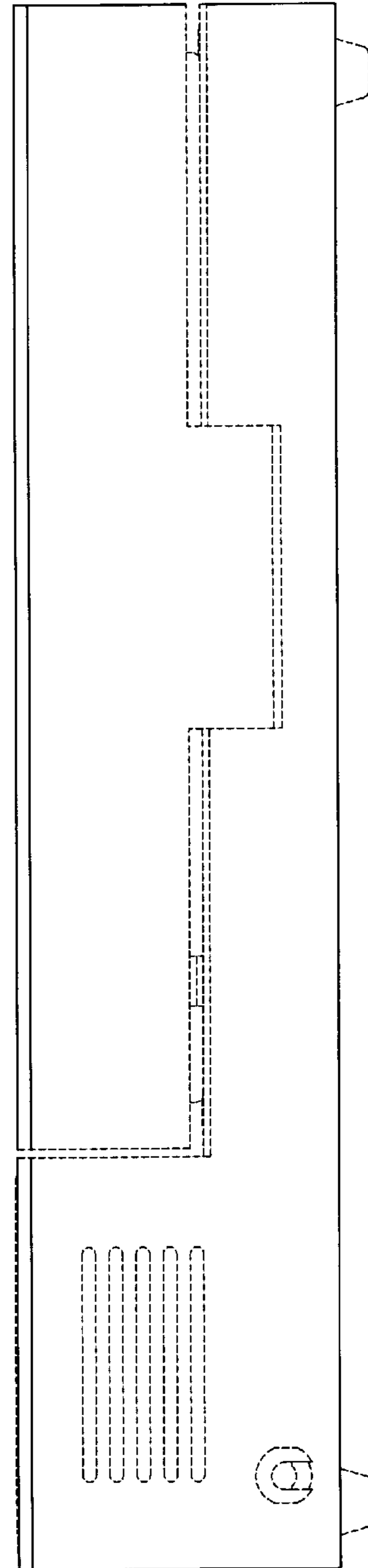
*Fig. 9.*



*Fig. 10.*



*Fig. 11.*



*Fig. 12.*