



US00D536352S

(12) **United States Design Patent**
Young

(10) **Patent No.:** **US D536,352 S**

(45) **Date of Patent:** **** Feb. 6, 2007**

- (54) **HAMMERMILL HAMMER**
 - (75) Inventor: **Roger T. Young**, Prophetstown, IL (US)
 - (73) Assignee: **Genesis III, Inc.**, Prophetstown, IL (US)
 - (**) Term: **14 Years**
 - (21) Appl. No.: **29/258,000**
 - (22) Filed: **Apr. 13, 2006**
 - (51) **LOC (8) Cl.** **15-09**
 - (52) **U.S. Cl.** **D15/123**
 - (58) **Field of Classification Search** D15/123,
D15/124; 241/73, 74, 189.1, 193-197, 294,
241/300
- See application file for complete search history.

3,549,095 A	*	12/1970	Ratkowski	241/197
3,738,586 A		6/1973	Fabert, Jr.		
4,141,512 A		2/1979	Francis		
4,142,687 A		3/1979	Potwin		
4,907,750 A		3/1990	Seifert		
5,465,912 A		11/1995	Graybill		
6,131,838 A		10/2000	Balvanz		
6,260,778 B1		7/2001	Wenger		
6,481,654 B1		11/2002	Balvanz		
6,622,951 B1		9/2003	Recker		

* cited by examiner

Primary Examiner—Antoine D. Davis

Assistant Examiner—Patricia Palasik

(74) *Attorney, Agent, or Firm*—Law Office of Jay R. Hamilton, PLC.

(57) **CLAIM**

I claim the ornamental design for a hammermill hammer, as shown and described.

DESCRIPTION

FIG. 1 is perspective view of a hammermill hammer according to an embodiment of the invention.

FIG. 2 is a top view of a hammermill hammer according to an embodiment of the invention; and,

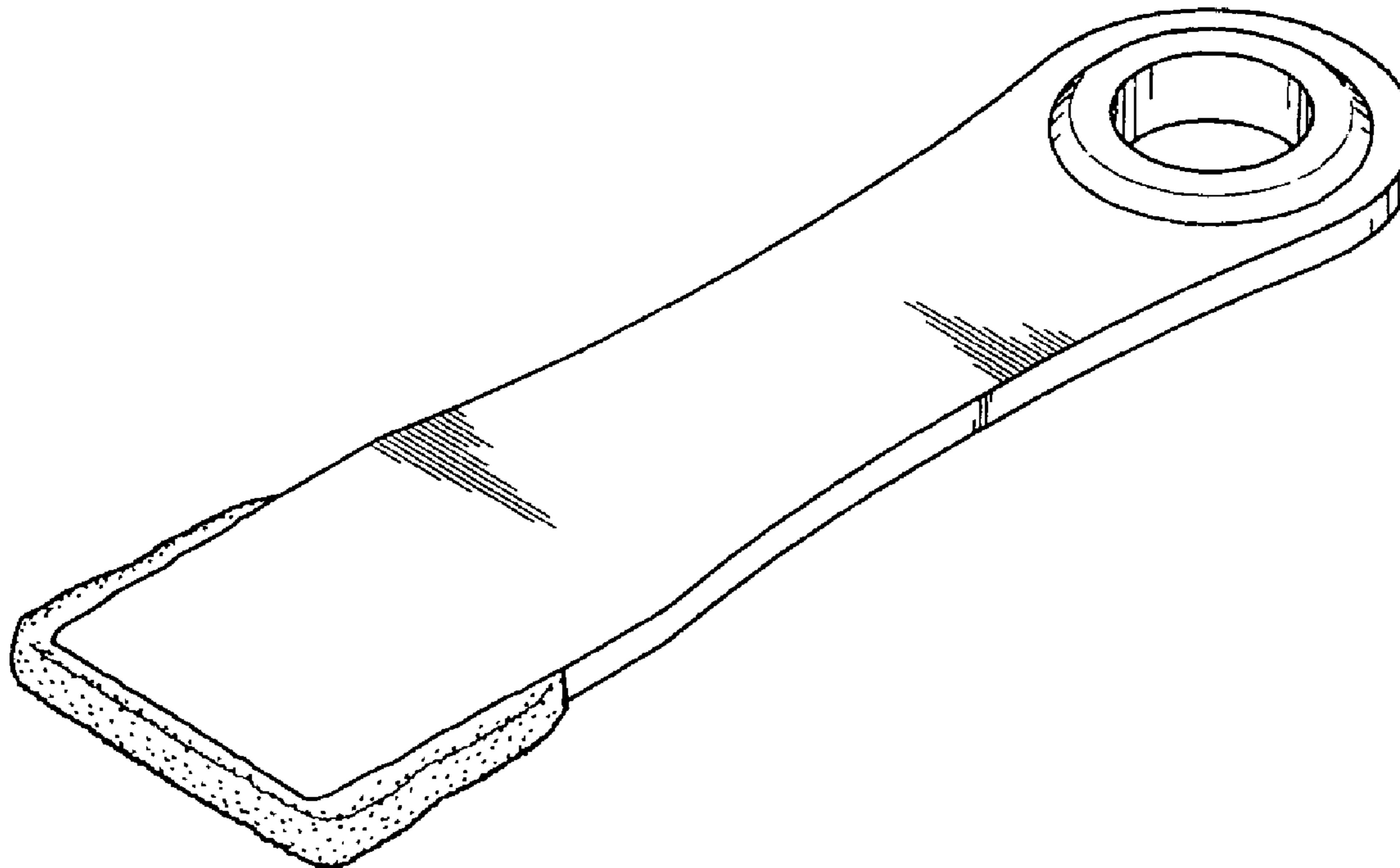
FIG. 3 is a side view of a hammermill hammer according to an embodiment of the invention.

1 Claim, 2 Drawing Sheets

(56) **References Cited**

U.S. PATENT DOCUMENTS

1,678,723 A	*	7/1928	Clement	241/197
2,015,581 A	*	9/1935	Armour	241/195
2,207,455 A	*	7/1940	Clement	241/197
2,319,629 A	*	5/1943	Poese	241/195
2,404,775 A	*	7/1946	Ehmann	241/197
3,322,356 A	*	5/1967	Toews	241/197
3,482,789 A		12/1969	Newell		
3,545,691 A	*	12/1970	Arsenault	241/197



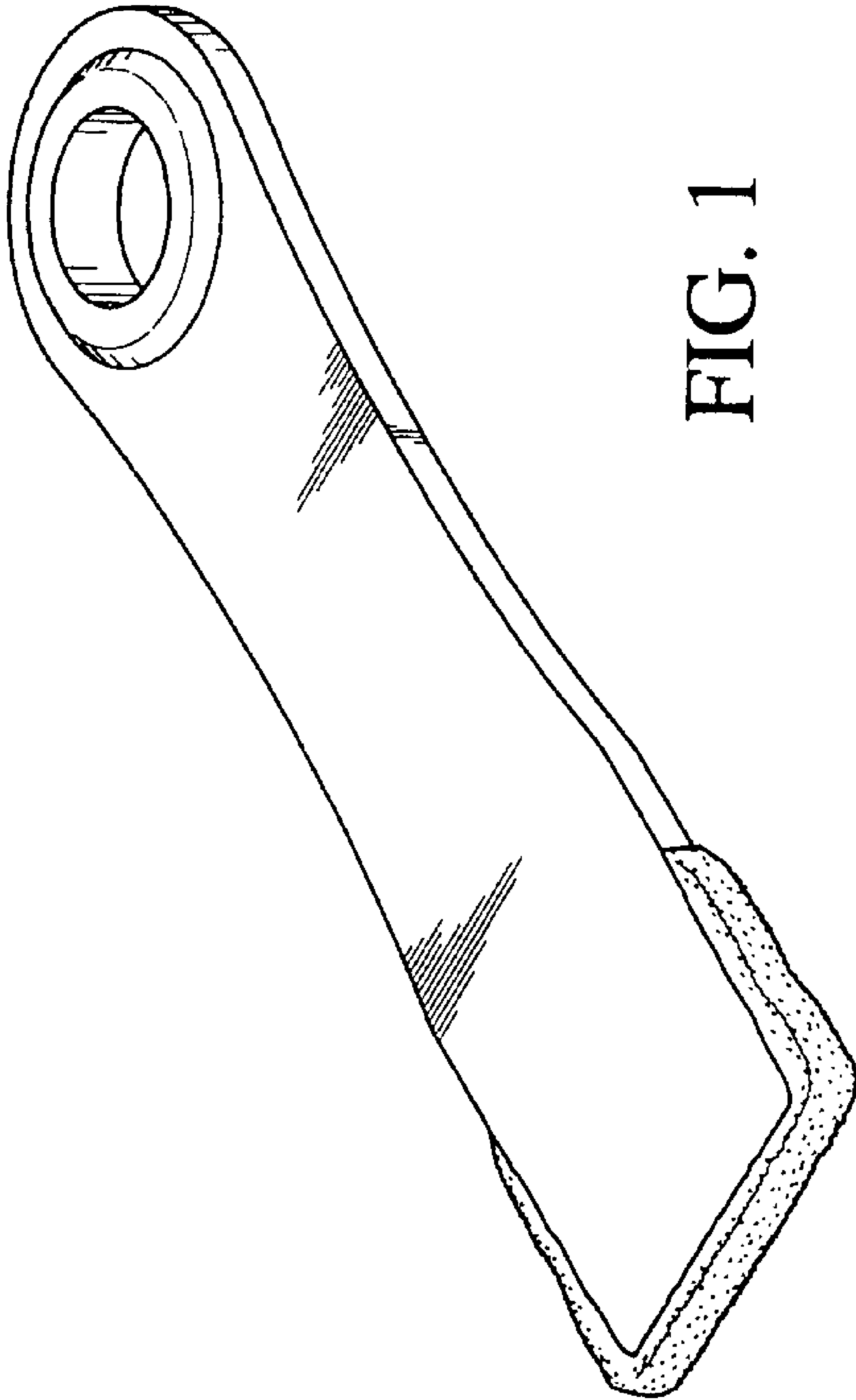


FIG. 1

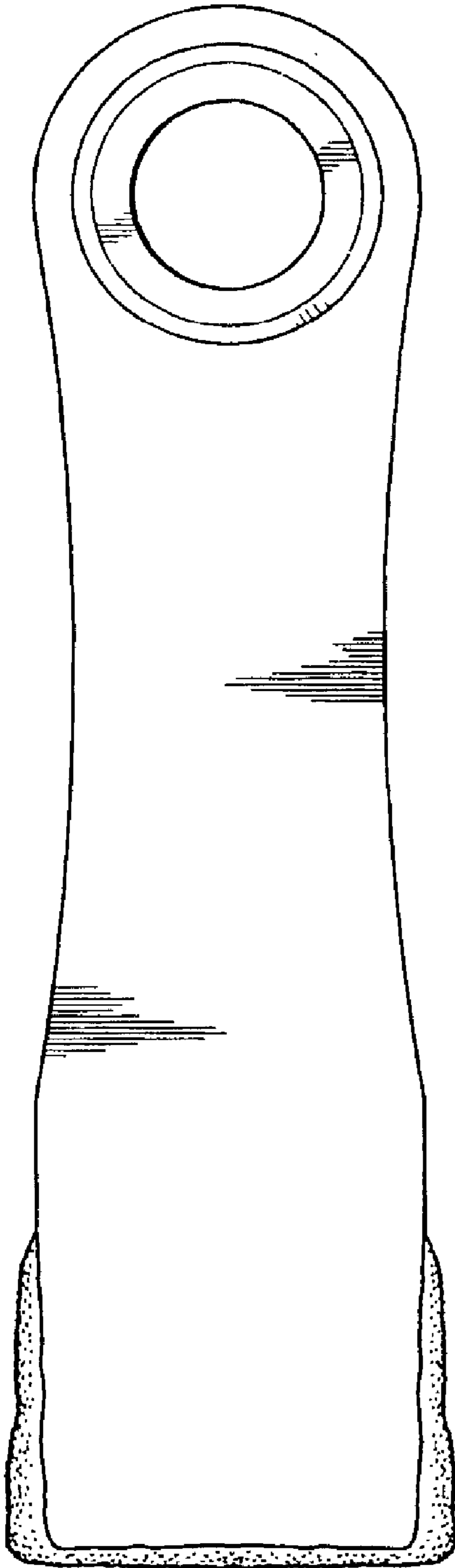


FIG. 2



FIG. 3