



US00D536349S

(12) **United States Design Patent**
Humber et al.

(10) **Patent No.:** **US D536,349 S**

(45) **Date of Patent:** **** Feb. 6, 2007**

(54) **SMALL ROUND ICE BOX WITH NAIL**

(75) Inventors: **Jeffrey A. Humber**, Memphis, TN
(US); **Steven R. Cole**, Collierville, TN
(US)

(73) Assignee: **IPS Corporation**, Collierville, TN (US)

(**) Term: **14 Years**

(21) Appl. No.: **29/227,295**

(22) Filed: **Apr. 8, 2005**

(51) **LOC (8) Cl.** **15-07**

(52) **U.S. Cl.** **D15/89**

(58) **Field of Classification Search** D15/79-89;
D13/152, 184; 62/338, 344; 312/229, 236,
312/242; 137/360

See application file for complete search history.

(56) **References Cited**

U.S. PATENT DOCUMENTS

- 3,831,624 A * 8/1974 Doumany 137/360
- 3,834,781 A * 9/1974 Logsdon 312/229
- 4,739,629 A * 4/1988 True 62/338
- 5,033,273 A * 7/1991 Buchser et al. 62/344
- D365,579 S * 12/1995 Baker et al. D15/89
- D367,659 S * 3/1996 Baker et al. D15/89

- D390,200 S * 2/1998 Spano D13/184
- 6,129,109 A * 10/2000 Humber 137/360
- D468,328 S * 1/2003 Humber et al. D15/89
- D474,483 S * 5/2003 Humber et al. D15/89
- D510,323 S * 10/2005 Hawken D13/152

* cited by examiner

Primary Examiner—Mitchell Siegel

Assistant Examiner—Shanda C. Hill

(74) *Attorney, Agent, or Firm*—Gauthier & Connors, LLP

(57) **CLAIM**

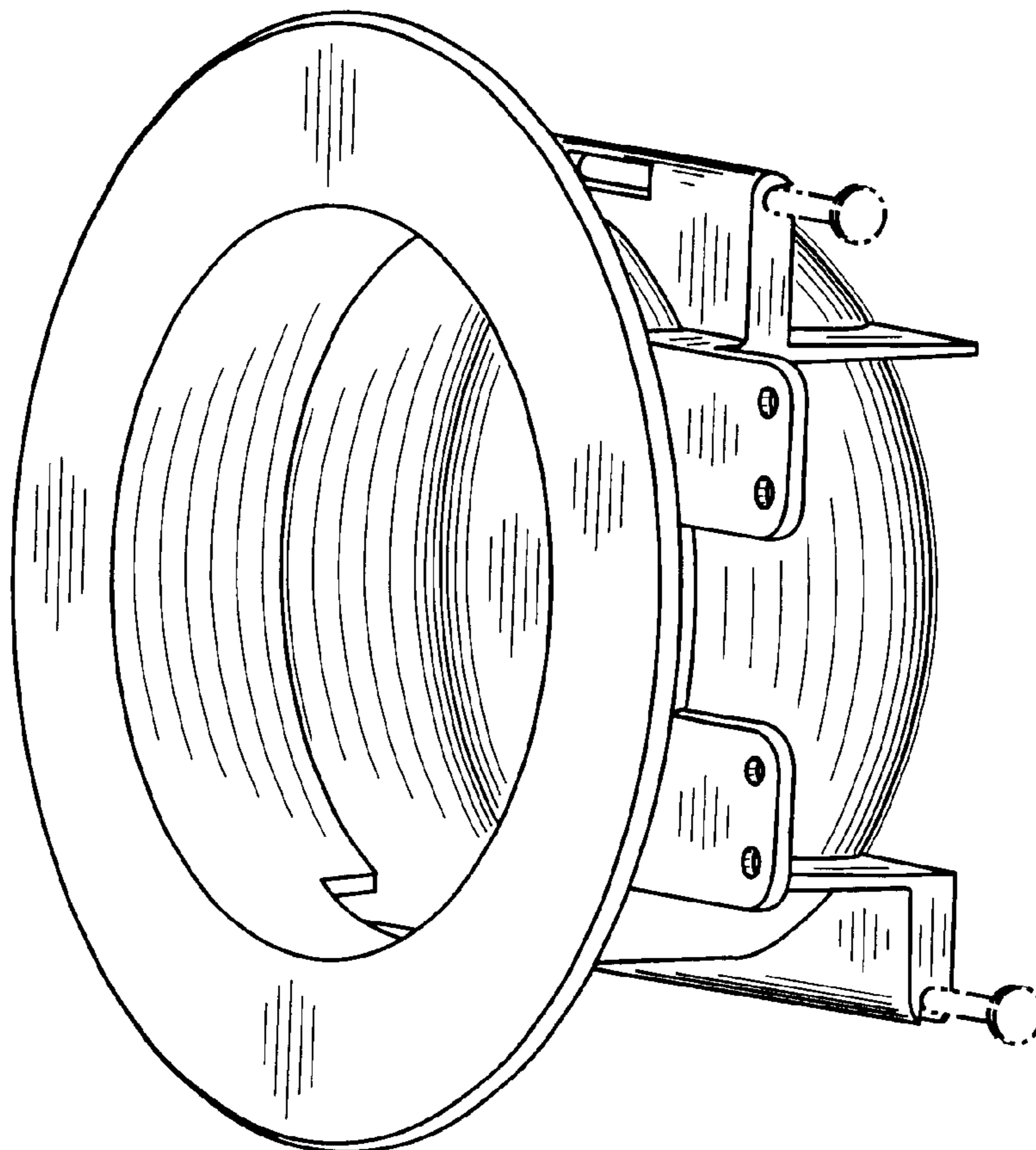
The ornamental design for small round ice box with nail, as shown and described.

DESCRIPTION

FIG. 1 is a front perspective view of a small round ice box with nail showing my new design;
 FIG. 2 is a front elevational view thereof;
 FIG. 3 is a side elevational view thereof, the opposite side being a mirror image;
 FIG. 4 is a rear elevational view thereof;
 FIG. 5 is a top plan view thereof; and,
 FIG. 6 is a bottom plan view thereof.

The broken lines shown in the drawing disclosure are for illustrative purposes only and form no part of the claimed design.

1 Claim, 3 Drawing Sheets



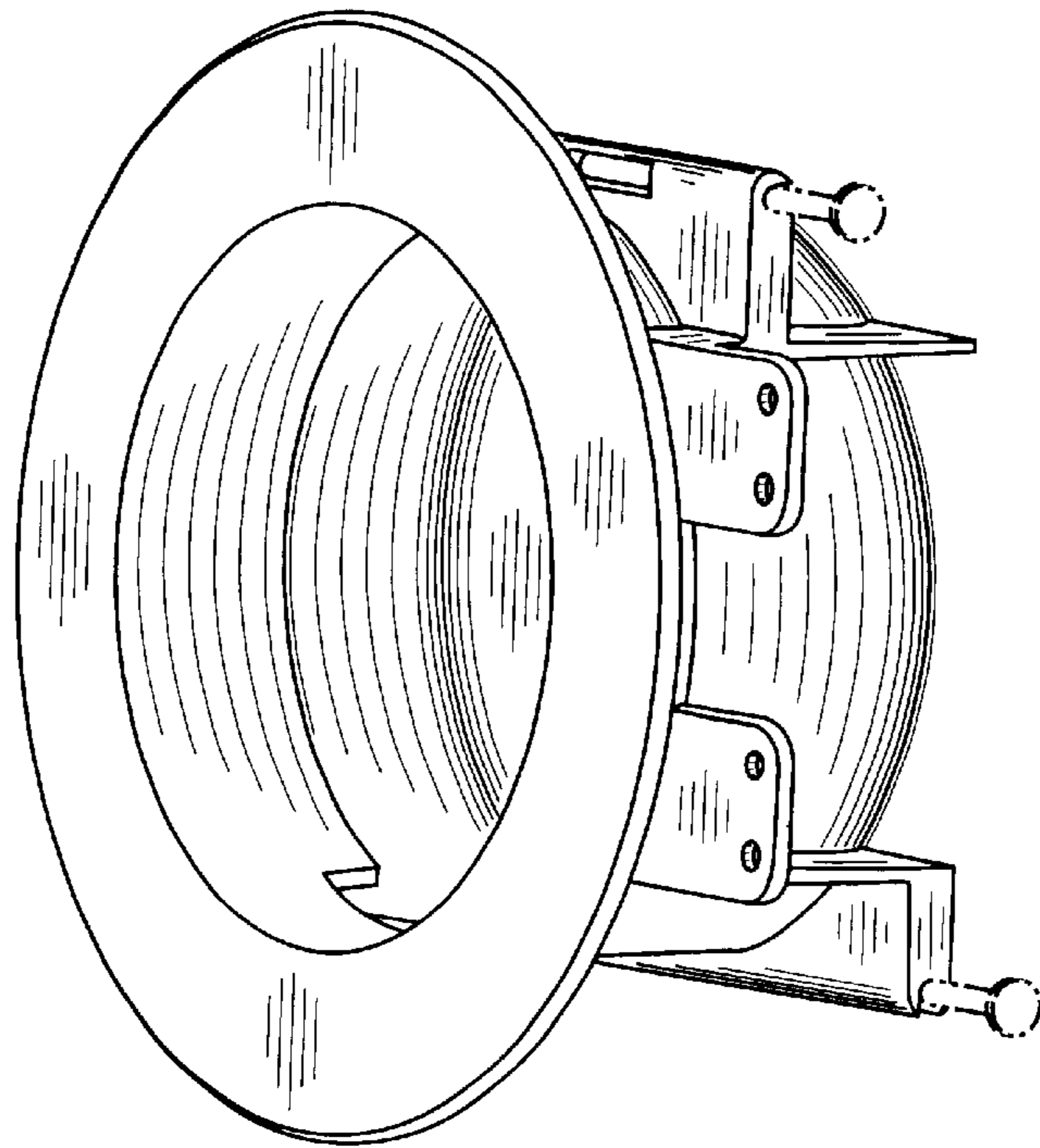


FIG. 1

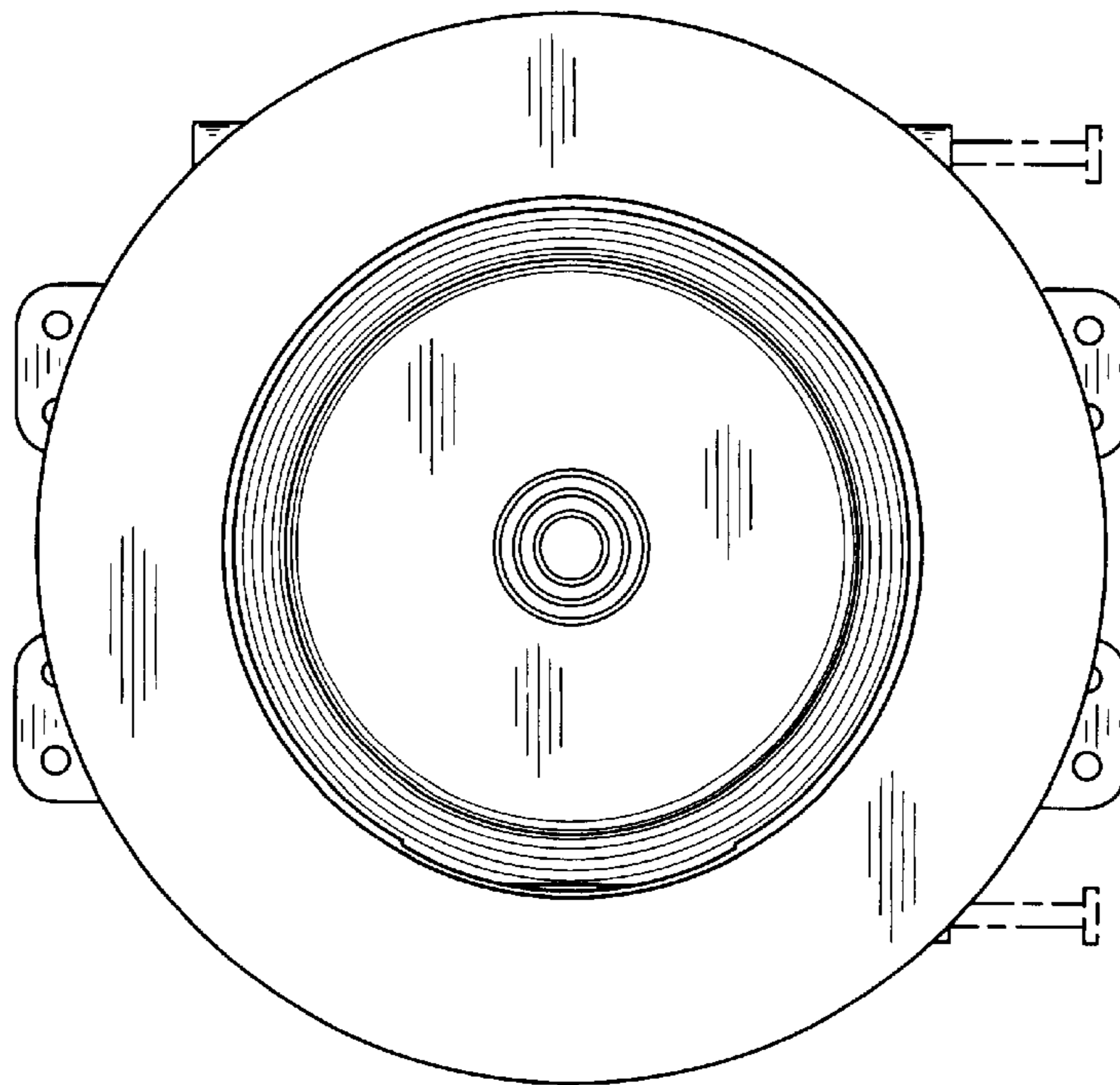


FIG. 2

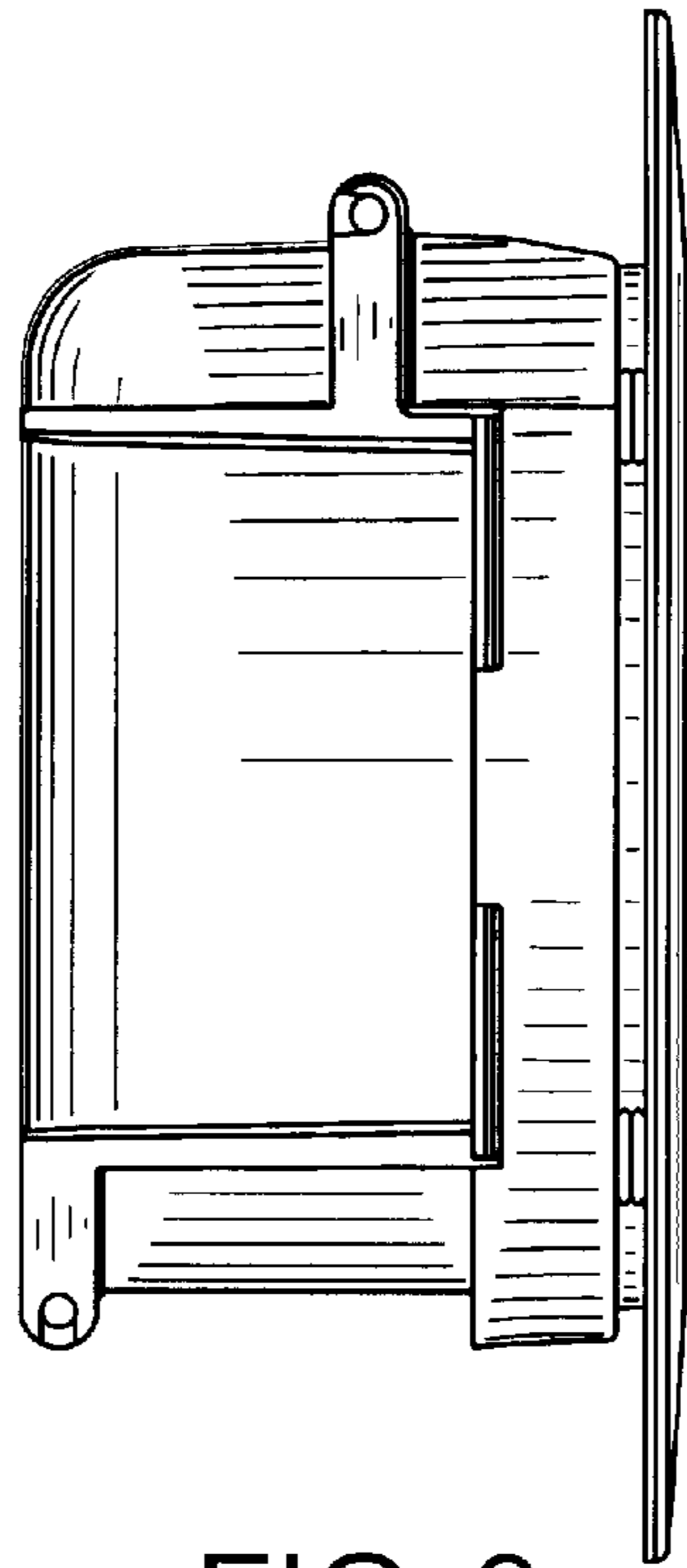


FIG. 3

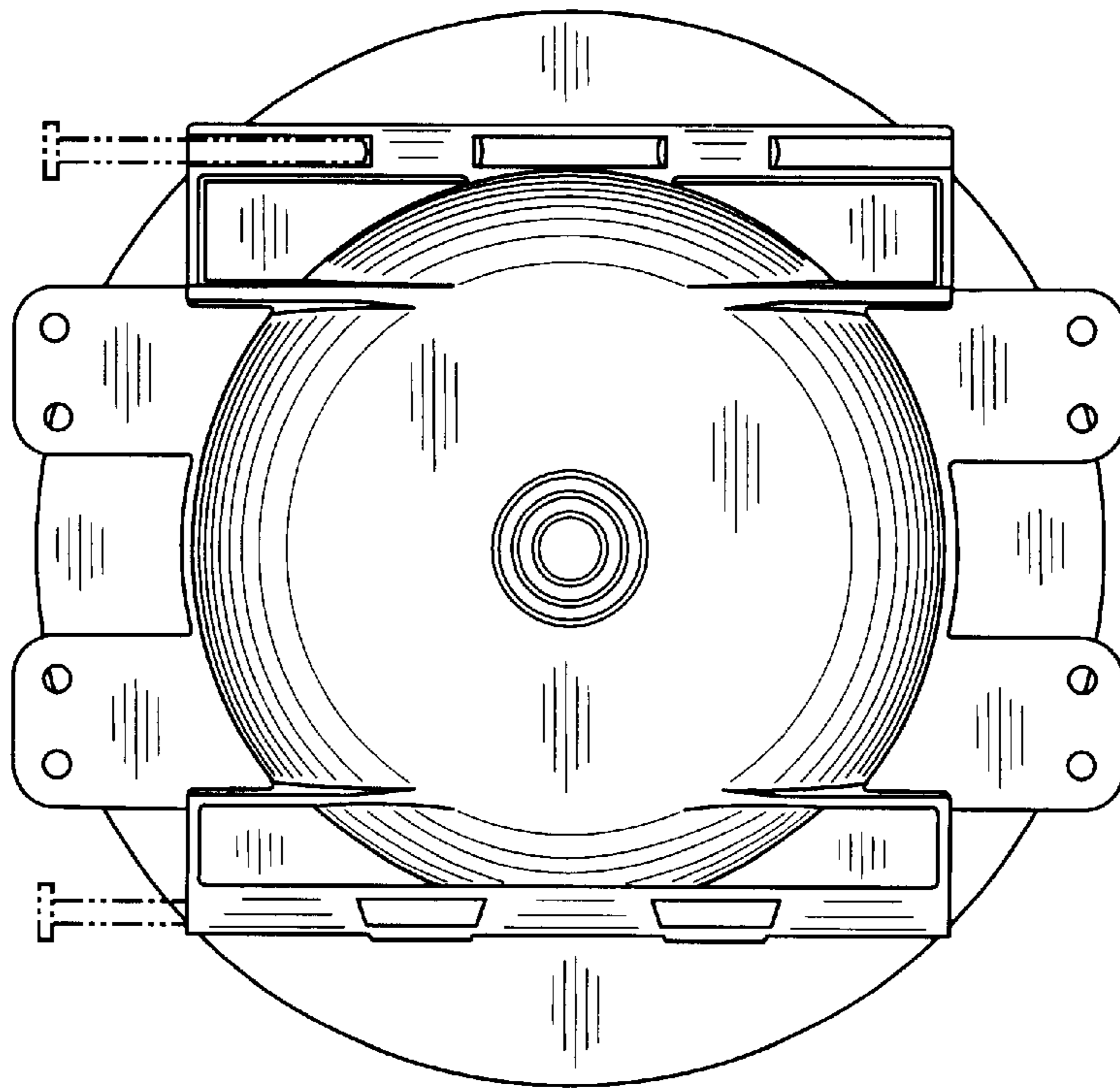


FIG. 4

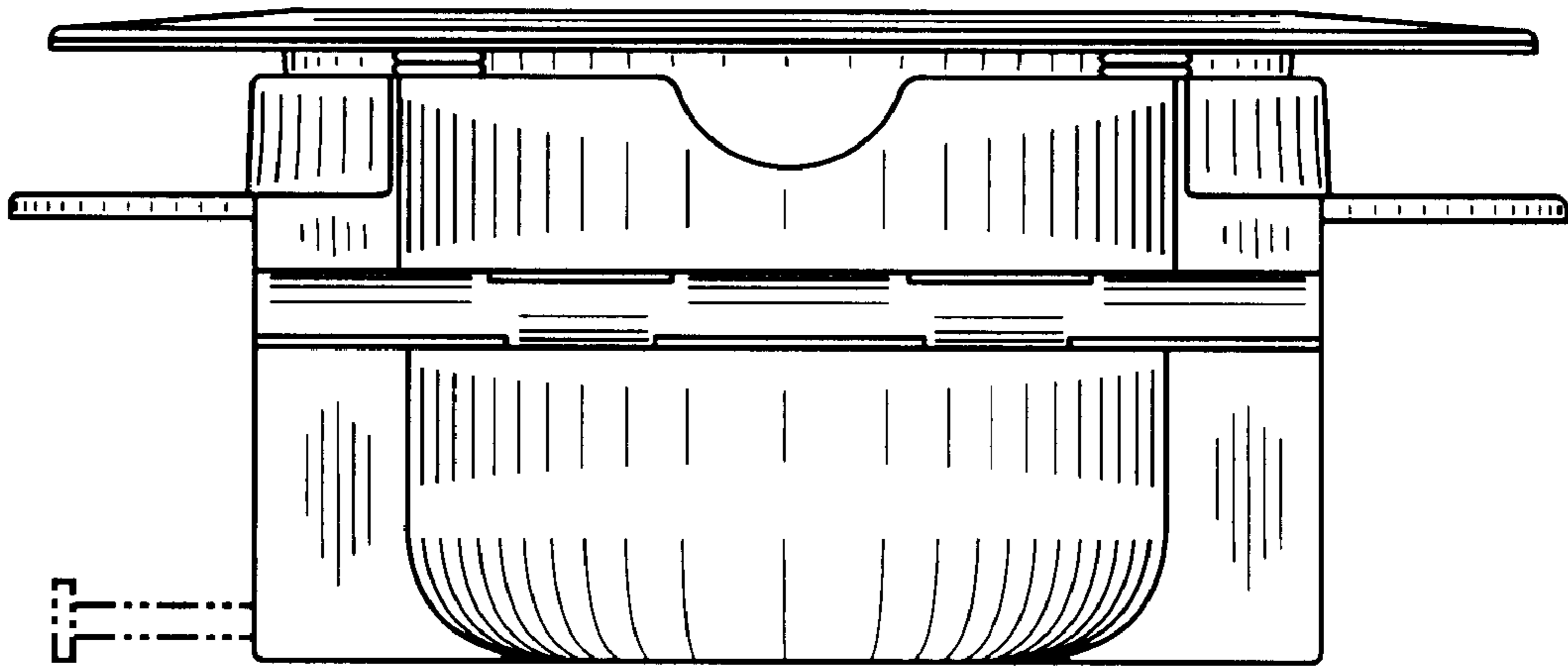


FIG. 5

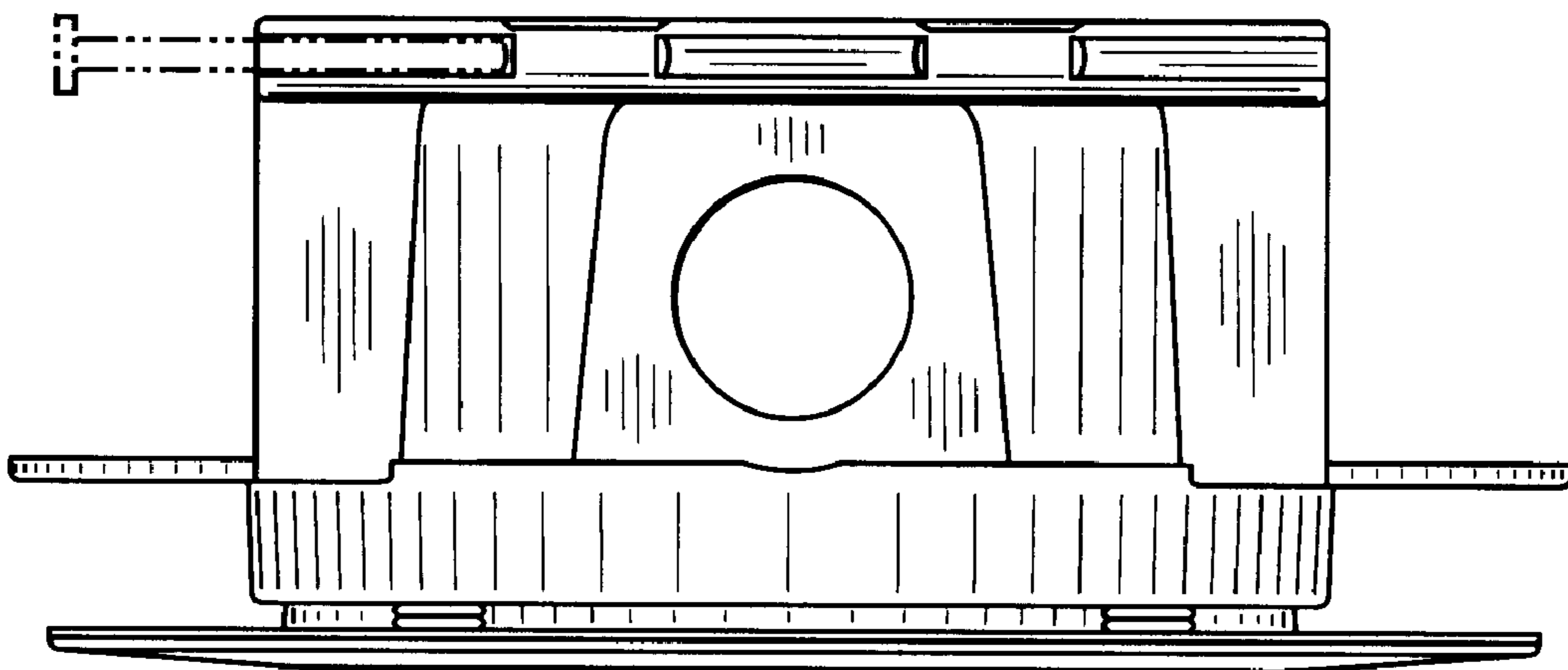


FIG. 6