



US00D536348S

(12) **United States Design Patent**
Bass

(10) **Patent No.:** **US D536,348 S**

(45) **Date of Patent:** **** Feb. 6, 2007**

(54) **COMPRESSOR**

6,945,438 B1 9/2005 Shih et al.
2004/0071561 A1 4/2004 Baron et al.

(75) Inventor: **Gary S. Bass**, Independence, KY (US)

* cited by examiner

(73) Assignee: **Campbell Hausfeld/Scott Fetzer Company**, Harrison, OH (US)

Primary Examiner—Ralf Seifert
(74) *Attorney, Agent, or Firm*—Jones Day

(**) Term: **14 Years**

(57) **CLAIM**

(21) Appl. No.: **29/256,605**

The ornamental design for a compressor, as shown and described.

(22) Filed: **Mar. 22, 2006**

DESCRIPTION

(51) **LOC (8) Cl.** **15-02**

(52) **U.S. Cl.** **D15/9**

(58) **Field of Classification Search** D15/7-9;
D23/232, 231; 417/359, 415-416, 410.1,
417/321, 265, 405

See application file for complete search history.

FIG. 1 is a perspective view of a compressor embodying the ornamental design of the present invention; FIG. 2 is a top view thereof; FIG. 3 is a bottom view thereof; FIG. 4 is a side view thereof; FIG. 5 is an opposite side thereof; FIG. 6 is a front view thereof; and, FIG. 7 is a rear view thereof.

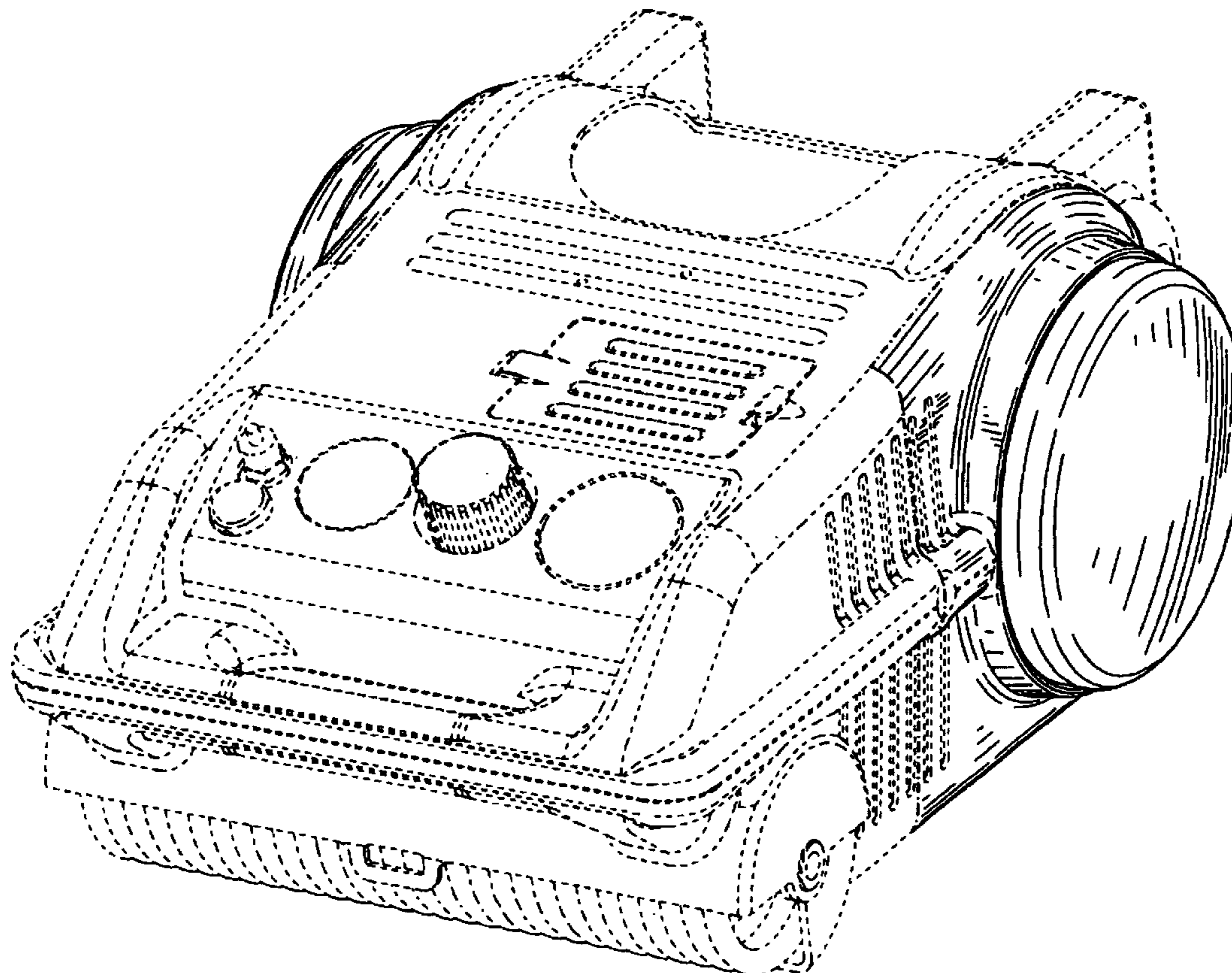
The broken lines in FIGS. 1-7 are for illustrative purposes only and form no part of the claimed design. More specifically, dashed lines indicate unclaimed features. Dot-dashed lines, drawn with heavier weight than the dashed lines, define boundaries of the claimed design.

(56) **References Cited**

U.S. PATENT DOCUMENTS

D434,048 S	*	11/2000	Orschell et al.	D15/9
D475,721 S	*	6/2003	Harper et al.	D15/9
D489,736 S	*	5/2004	Harper et al.	D15/9
D495,717 S	*	9/2004	Harper et al.	D15/9
D499,430 S		12/2004	Buck		
D500,769 S	*	1/2005	Montgomery	D15/7

1 Claim, 6 Drawing Sheets



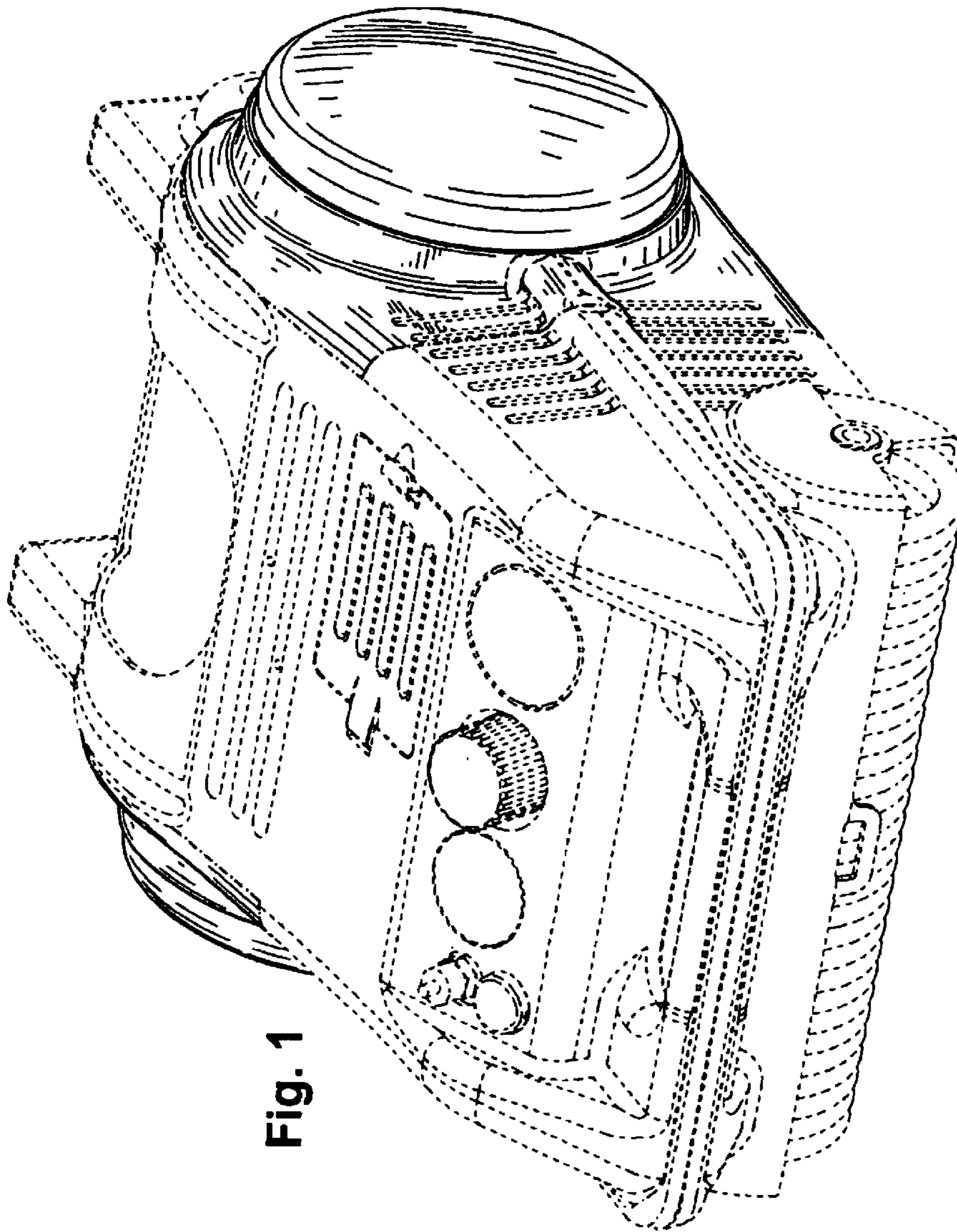


Fig. 1

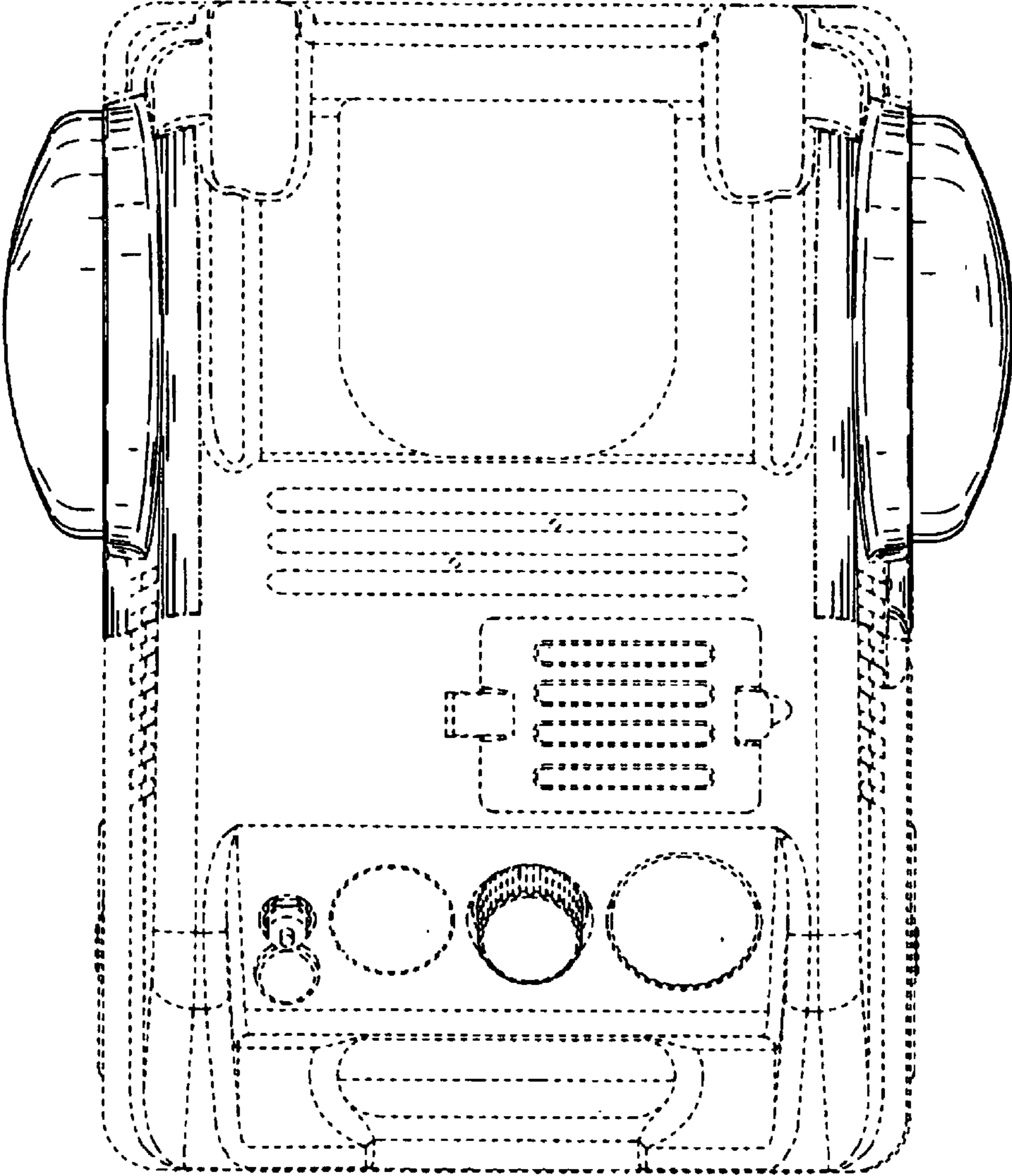


Fig. 2

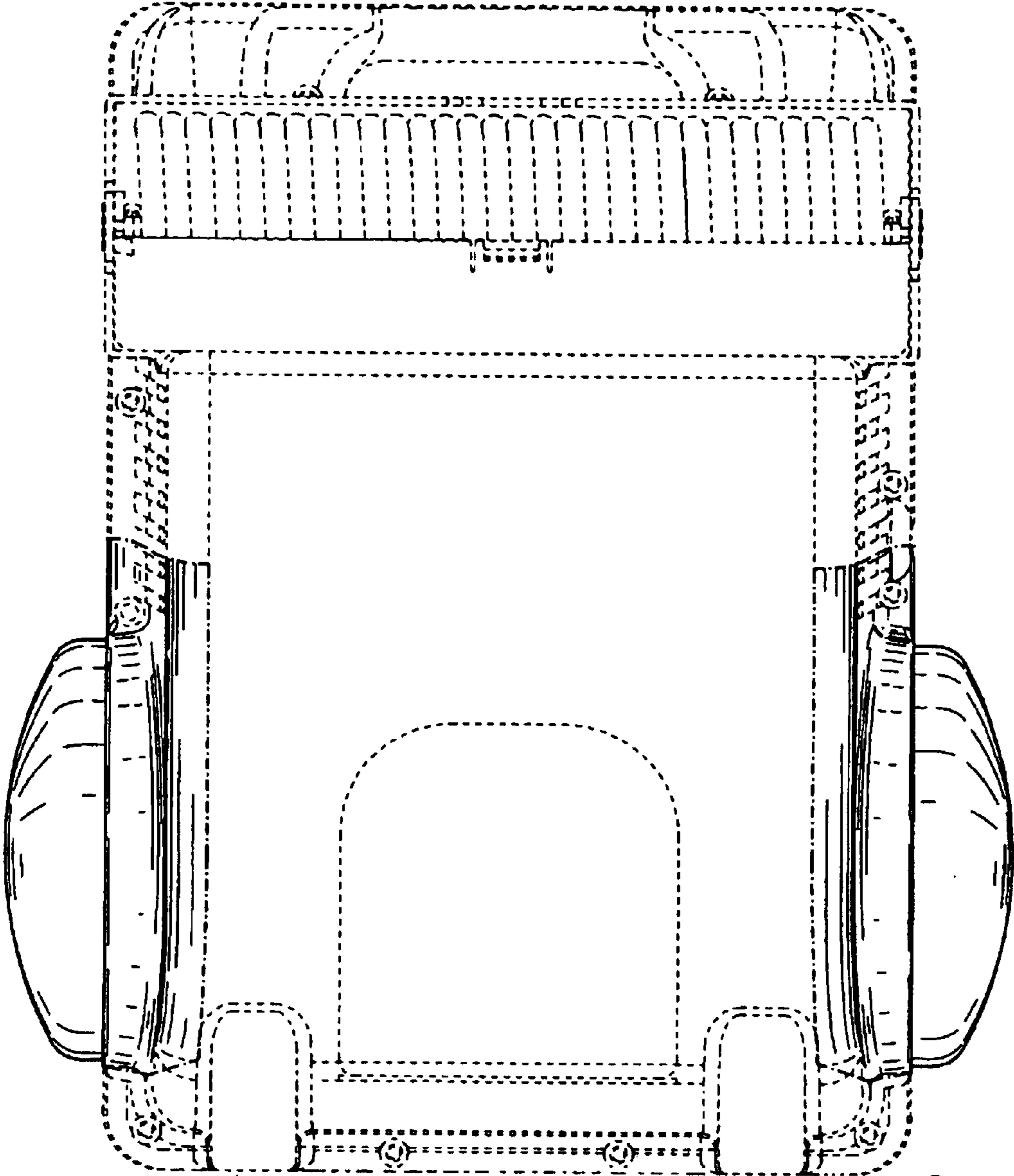


Fig. 3

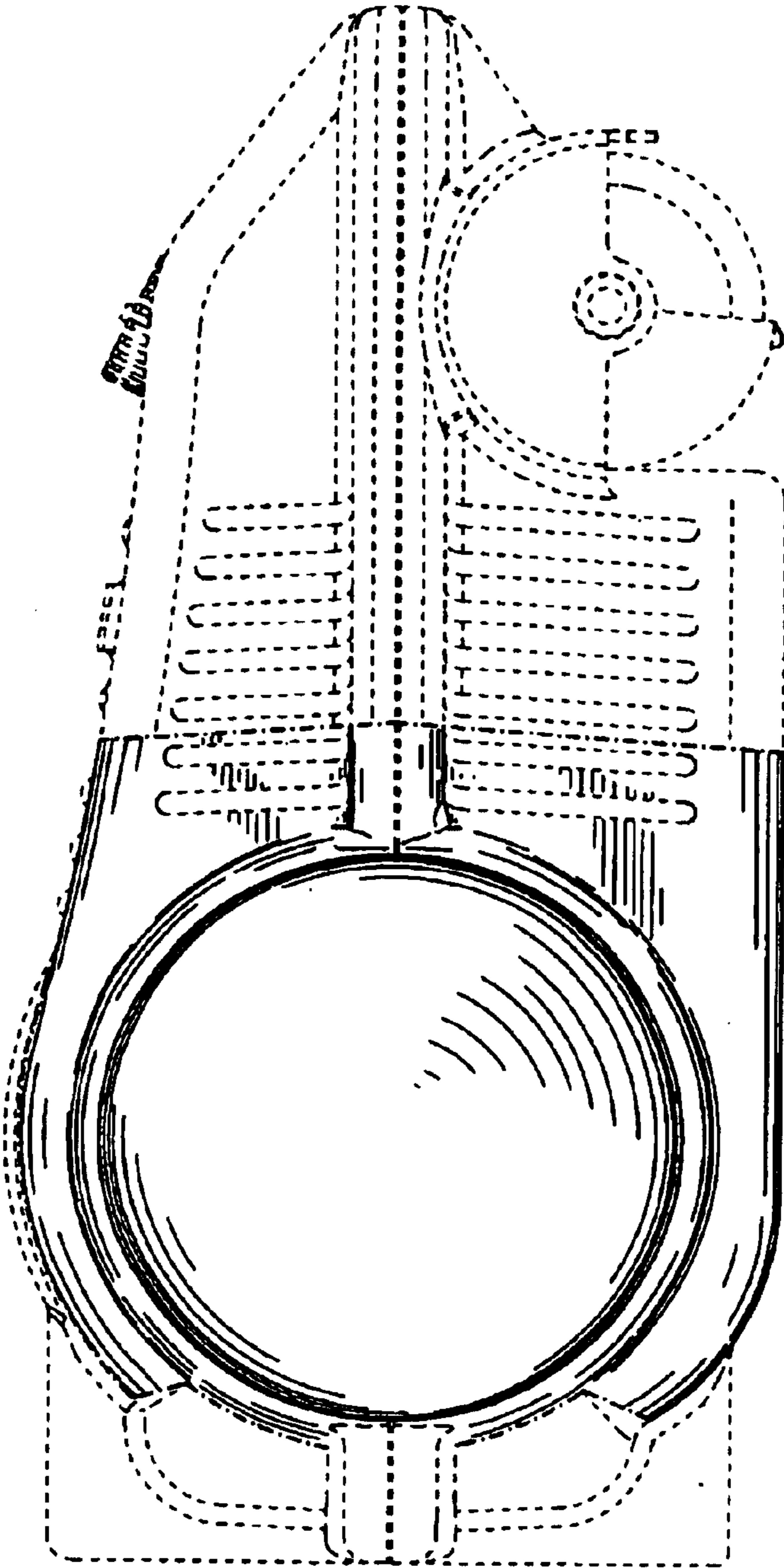


Fig. 4

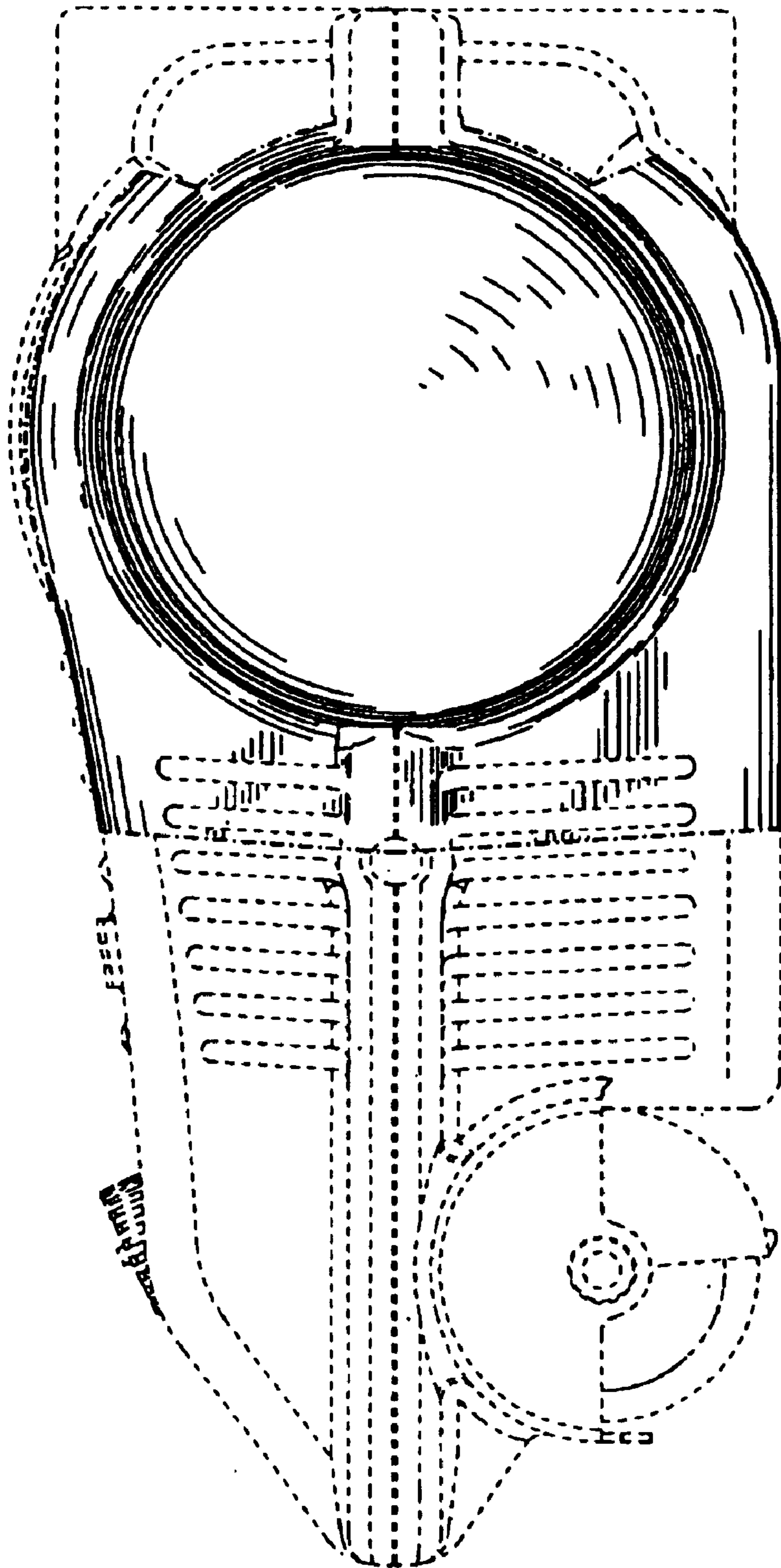


Fig. 5

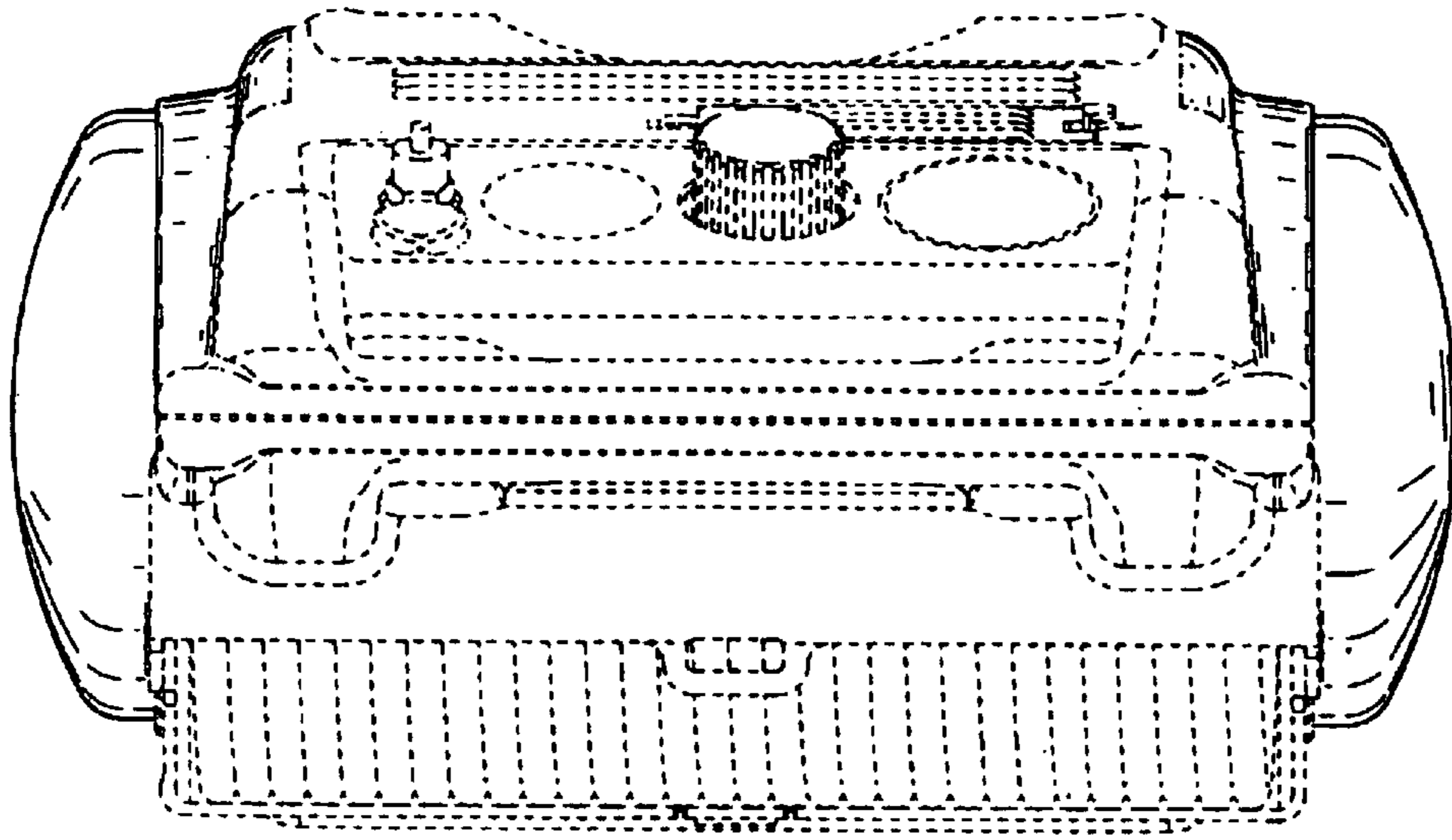


Fig. 6

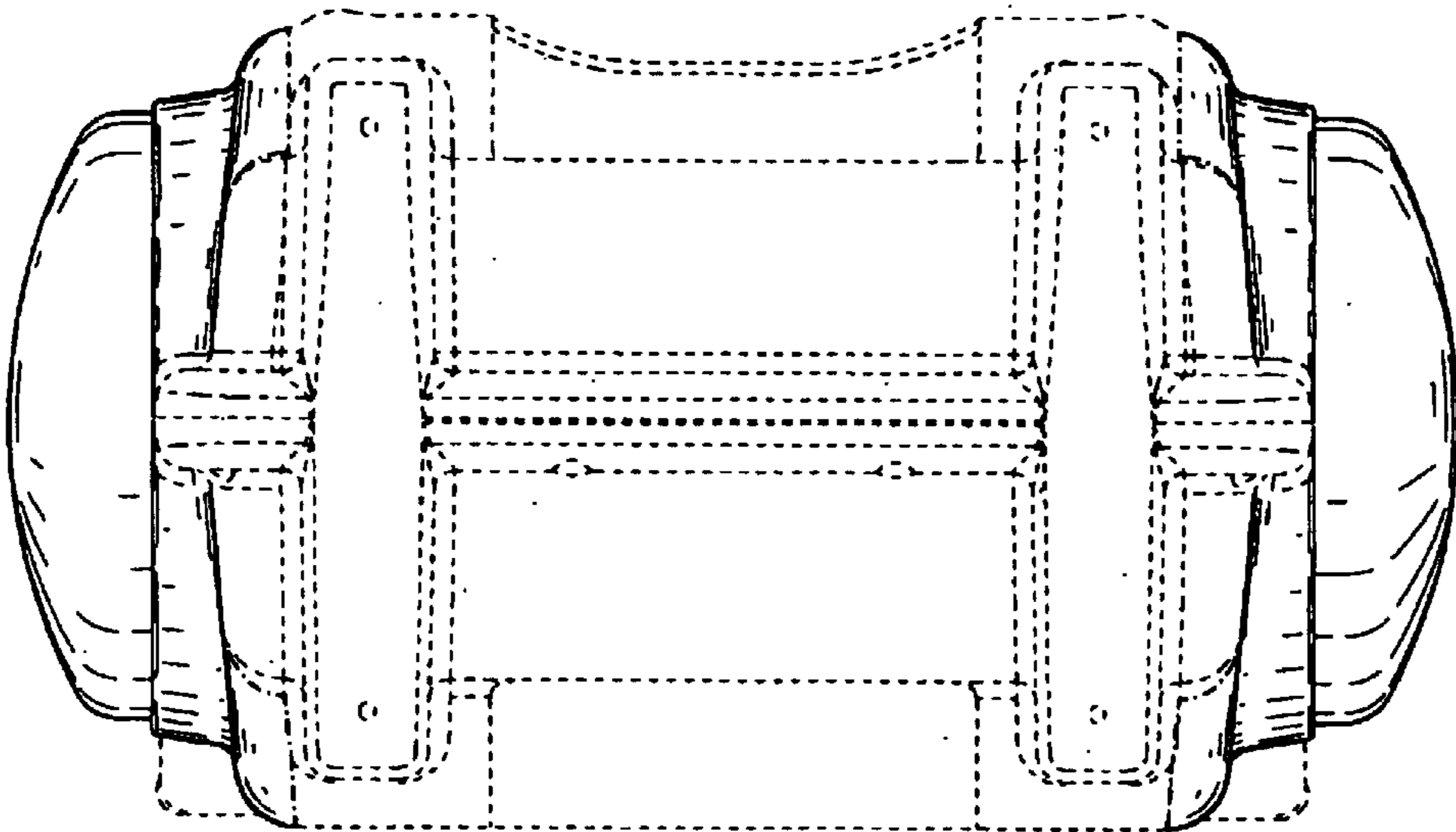


Fig. 7